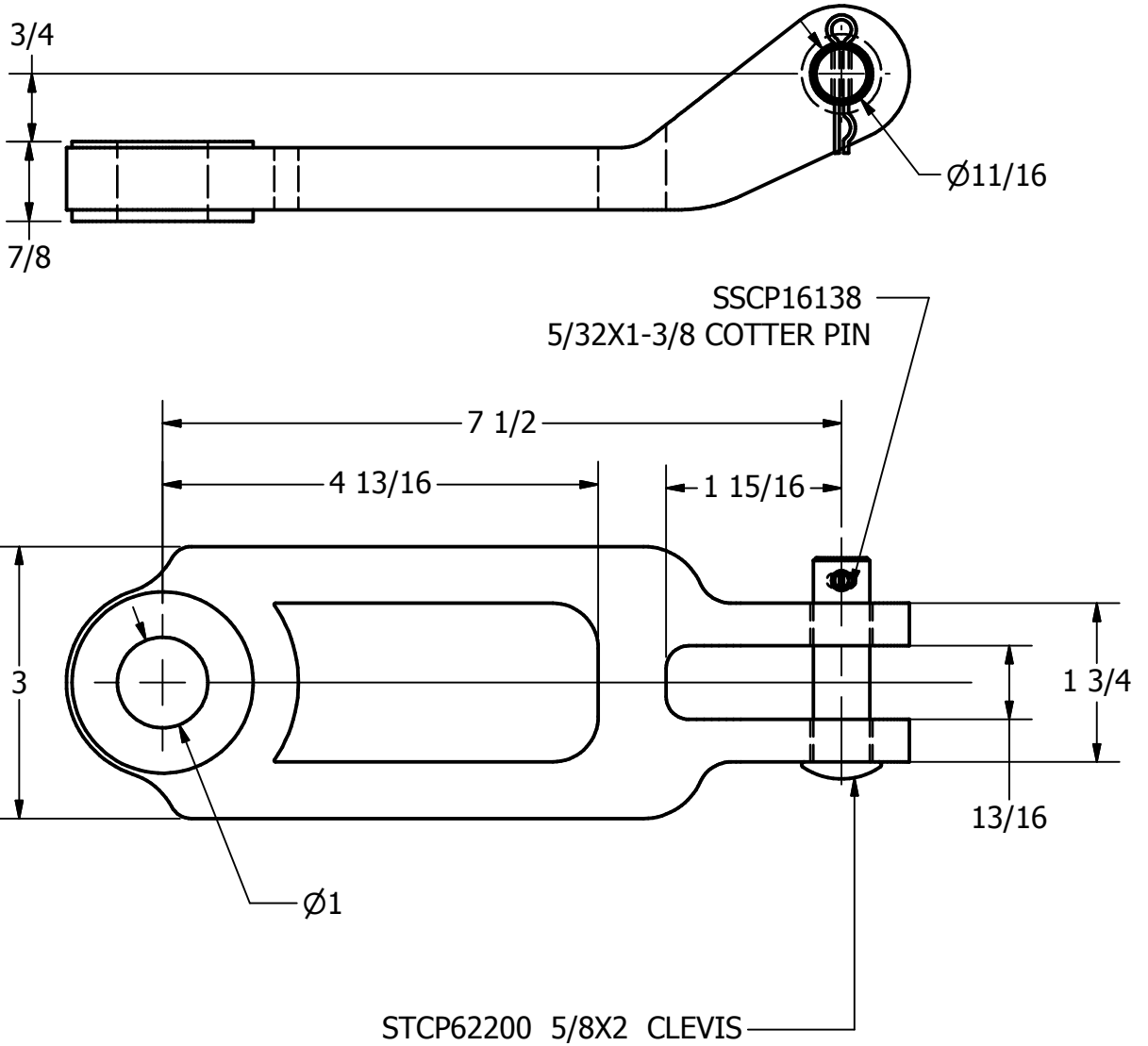


ITEM NO

DWG NO
D-6722

THIS DRAWING AND ALL INFORMATION ON IT IS THE PROPERTY OF AFL. IT IS CONFIDENTIAL AND IT IS GIVEN TO YOU FOR A LIMITED PURPOSE AND MUST BE RETURNED UPON REQUEST. NEITHER THIS DRAWING OR ANY PART OF IT NOR ANY INFORMATION CONCERNING IT MAY BE COPIED, EXHIBITED, OR FURNISHED TO OTHERS NOR PHOTOGRAPHS TAKEN OF ANY ARTICLE FABRICATED OR ASSEMBLED FROM THE DRAWING WITHOUT THE CONSENT OF AFL.



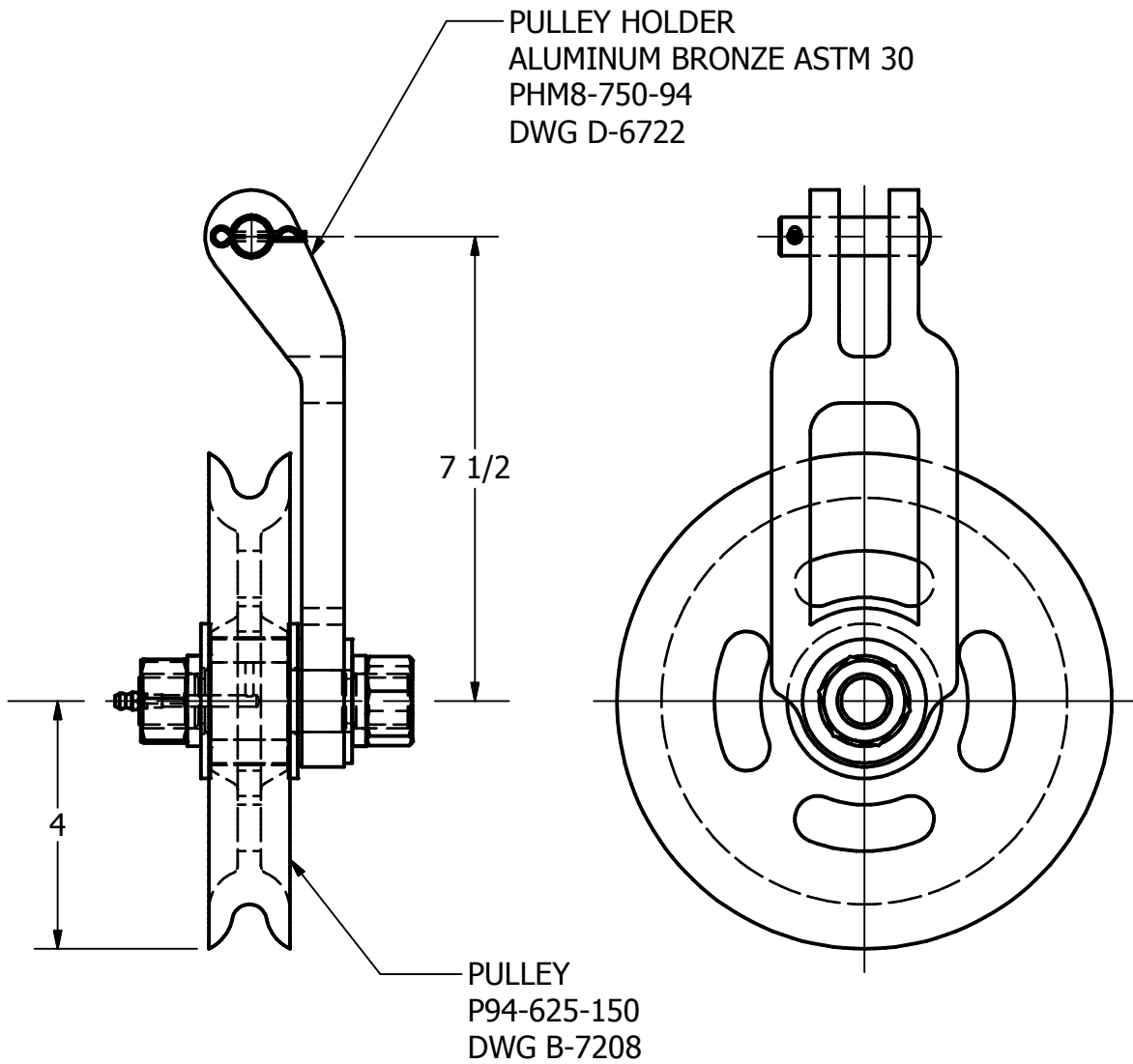
MATERIAL:
ALUMINUM BRONZE
ASTM B30, B148
T.S. (MIN) 90,000PSI

LOCATION					CONTRACT NO		CUST / CONTR	
REVISIONS								
REV	DESCRIPTION	DATE	BY	APR	HOLDER, PULLEY			
5	RE-DRAWN IN INVENTOR	1-5-10	LK	EP	PHM8-720-94			
DRN BY: KH DRN DATE: 9-14-88 CHK BY: HJ CHK DATE: 11-16-88					REV	1 OF 1		

ITEM NO

DWG NO
D-7588

THIS DRAWING AND ALL INFORMATION ON IT IS THE PROPERTY OF AFL. IT IS CONFIDENTIAL AND IT IS GIVEN TO YOU FOR A LIMITED PURPOSE AND MUST BE RETURNED UPON REQUEST. NEITHER THIS DRAWING OR ANY PART OF IT NOR ANY INFORMATION CONCERNING IT MAY BE COPIED, EXHIBITED, OR FURNISHED TO OTHERS NOR PHOTOGRAPHS TAKEN OF ANY ARTICLE FABRICATED OR ASSEMBLED FROM THE DRAWING WITHOUT THE CONSENT OF AFL.



LOCATION					CONTRACT NO		CUST / CONTR	
REVISIONS					DRN BY: ET DRN DATE: 3-24-97 CHK BY: RL CHK DATE: 3-24-97			
REV	DESCRIPTION	DATE	BY	APR	FAFL DOSSERT® PULLEY AND HOLDER			
2	RE-DRAWN IN INVENTOR	1-5-10	LK					
					REV	PPM94-625-150		1 OF 1
					2			