

## Table of Contents

### 345 kV and 500 kV

345 kV and 500 kV Table of Contents	473
Pictorial Index	475

### Bus Supports

Type PSD-V-AA, PSD-V-CH-AA	479
Type HPS-HV-AA	480
Type WPS-V-AA, WPS-V-CH-AA	481
Type WPSL-V-AA	483
Type 34700 EHV	485
Type WXBC-V-AA	486
Type WXBC-HV-AA	487
Type C2SWB-V-AA	488
Type 15700 EHV	491
Type 32800 EHV	492
Type 35700 EHV	492
Type 33800 EHV	494

### Couplers

Type CP-V-AA	495
Type CPV-V-AA	496
Type WWC-AA, WWC-E-AA	497
Type WWCR-V-AA	498
Type XWWC-V-AA, XWWC-HV-AA	499
Type XWWCT-HV-AA	500
Type WRP3C-8-V-AA	501
Type 35300 EHV	502

### Vibration Dampers

Type 1705-EHV, 1706-EHV	503
-------------------------	-----

### Corona Bells

Type CXBHV-AA, CXWHV-AA	504
-------------------------	-----

### Tee Connectors

Type BAP-V-AA	505
Type PFTS-V-AA	506
Type BPA-75-V-AA	508
Type WT-AA, WTA-75-AA, WTA-80-AA	509
Type WTC-V-AA, WTF-V-AA	512
Type WVBP-20-V-AA, WVBP-30-V-AA	513
Type BPC-V-AA	515
Type CFT-V-AA	516
Type VBP-30-V-AA	517

### Tee Connectors

Type 1000-EHV	518
Type WT3C-8-V-AA	520
Type 3500-EHV	521
Type BC-V-AA	523
Type 34900-EHV	525
Type 34992-EHV, 34993-EHV	528
Type 34996-EHV, 34997-EHV	531

### A-Frames

Type A-Frame Assemblies	534
-------------------------	-----

### Connectors

Type 15100-EHV	535
Type 14700-EHV	536

### Terminal Connectors

Type TP-4N4-V-AA, TPA-4N4-90-V-AA	537
Type WTPI-V-AA, WTPIA-90-V-AA	540
Type WTPIC-V-AA, WTPIC-E-V-AA	542
Type WXL-V-AA, WXL-HV-AA	543
Type TC-V-AA, T2C-V-AA	544
Type WPC-V-AA, WP2C-V-AA	546
Type WPCA-45-V-AA, WP2CA-45-V-AA	549
Type 34200E-EHV	551
Type 34300-EHV	552
Type APTV-V-AA	553
Type APT-V-AA	554
Type TWTC-4N4-8-V-AA	555
Type 34994-EHV, 34995E-EHV	556
Type 34999E-EHV	559
Type 33900, 34000 INLINE	562
Type 38900-EHV	564

### Elbows

Type WEPI-AA, WEPI-30-AA, WEPI-45-AA, WEPI-60-AA	565
Type 35400, 35500	567

### Ground Jumpers

Type WGPV-AA	568
Type 34600-EHV	569
Type 34650-EHV	570
Type 34620-EHV	571

## Table of Contents

### 345 kV and 500 kV

#### *Spacer Clamps*

Type 1800-EHV . . . . .	572
Type CAS-V-AA . . . . .	573
Type CAS-N-V-AA, CAS-N-90-V-AA . . . . .	576
Type 38100-EHV . . . . .	579
Type 38400-EHV, 38500-EHV . . . . .	580
Type 38300-EHV . . . . .	581

#### *Hardware Shields*

Type CSBE-V-AA, 4040-EHV, 6040-EHV . . . . .	582
--	-----

#### *Parallel Clamps*

Type PC-V-AA . . . . .	583
Type 35600-EHV . . . . .	585

#### *Stud Connector*









Type SCB-F-V-AA . . . . .	586
---------------------------	-----

#### *Compression Connectors*

Type 2800-EHV, 5300-EHV . . . . .	587
Type 2900-EHV . . . . .	588
Type 5400 . . . . .	589
Type 5500 . . . . .	590
Type 5000-EHV . . . . .	592
Type 2500-EHV . . . . .	593
Type 2600, 2700 . . . . .	594
Type 3400-EHV . . . . .	595
Type S5600-EHV, S5100-EHV . . . . .	596
Type S5600-45-EHV, S5800-EHV . . . . .	599
Type DP2L-V-EC . . . . .	604

345/500 kV Aluminum Bus Supports	
	PSD-V-AA, PSD-V-CH-AA SERIES  PG. 479
	HPS-HV-AA SERIES  PG. 480
	WPS-V-AA, WPS-V-CH-AA SERIES  PG. 481
	WPSL-V-AA SERIES  PG. 483
	34700 EHV SERIES  PG. 485
	WXBC-V-AA SERIES  PG. 486
	WXBC-HV-AA SERIES  PG. 487
	C2SWB-V-AA SERIES  PG. 488

	15700 EHV SERIES  PG. 491
	32800 EHV SERIES  PG. 492
	35700 EHV SERIES  PG. 493
	33800 EHV SERIES  PG. 494
345/500 kV Aluminum Couplers	
	CP-V-AA SERIES  PG. 495
	CPV-V-AA SERIES  PG. 496
	WWC-AA, WWC-E-AA SERIES  PG. 497
	WWCR-V-AA SERIES  PG. 498
	XWWC-V-AA, XWWC-HV-AA SERIES  PG. 499

	XWWCT-HV-AA SERIES  PG. 500
	WRP3C-8-V-AA SERIES  PG. 501
	35300 EHV SERIES  PG. 502
345/500 kV Aluminum Vibration Damper	
	1705-EHV, 1706-EHV SERIES  PG. 503
345/500 kV Aluminum Corona Bells	
	CXBHV-AA, CXWHV-AA SERIES  PG. 504
345/500 kV Aluminum Tee Connectors	
	BAP-V-AA SERIES  PG. 505
	PFTS-V-AA SERIES  PG. 506
	BPA-75-V-AA SERIES  PG. 508

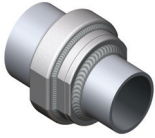

	WT-AA, WTA-75-AA, -80 SERIES
	PG. 509
	WTC-V-AA, WTF-V-AA SERIES
	PG. 512
	WVBP-20-V-AA, WVBP-30-V-AA SERIES
	PG. 513
	BPC-V-AA SERIES
	PG. 515
	CFT-AA SERIES
	PG. 516
	VBP-30-V-AA SERIES
	PG. 517
	1000-EHV SERIES
	PG. 518
	WT3C-8-V-AA SERIES
	PG. 520
	3500-EHV SERIES
	PG. 521

	BC-V-AA SERIES
	PG. 523
	34900-EHV SERIES
	PG. 525
	34992-EHV, 34993-EHV SERIES
	PG. 528
	34996-EHV, 34997-EHV SERIES
	PG. 531






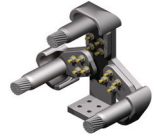

### 345/500 kV Aluminum A-Frames









	A-FRAME SERIES
	PG. 534








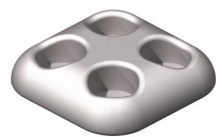

### 345/500 kV Aluminum Connectors

	15100-EHV SERIES
	PG. 535
	14700-EHV SERIES
	PG. 536

<b>345/500 kV Aluminum Terminal Connectors</b>	
	TP-4N4-V-AA, TPA-4N4-90-V-AA SERIES
	PG. 537
	WTPC-4N4-V-AA SERIES
	PG. 539
	WTPI-V-AA, WTPIA-90-V-AA SERIES
	PG. 540
	WTPIC-V-AA, WTPIC-E-V-AA SERIES
	PG. 542
	WXL-V-AA, WXL-HV-AA SERIES
	PG. 543
	TC-V-AA, T2C-V-AA SERIES
	PG. 544
	WPC-V-AA, WP2C-V-AA SERIES
	PG. 546
	WPCA-45-V-AA WP2CA-45-V-AA SERIES
	PG. 549

	34200E-EHV SERIES
	PG. 551
	34300-EHV SERIES
	PG. 552
	APTV-AA SERIES
	PG. 553
	APT-AA SERIES
	PG. 554
	TWTC-N-V-AA SERIES
	PG. 555
	34994E-EHV, 34995E-EHV SERIES
	PG. 556
	34999E-EHV SERIES
	PG. 559
	33900, 34000 INLINE SERIES
	PG. 562
	38900-EHV SERIES
	PG. 564

<b>345/500 kV Aluminum Elbows</b>	
	WEPI-AA SERIES
	PG. 565
	35400, 35500 SERIES
	PG. 567
<b>345/500 kV Aluminum Ground Jumpers</b>	
	WGPHV-AA SERIES
	PG. 568
	34600-EHV SERIES
	PG. 569
	34650-EHV SERIES
	PG. 570
	34620-EHV SERIES
	PG. 571
<b>345/500 kV Aluminum Spacer Clamps</b>	
	1800-EHV SERIES
	PG. 572
	CAS-V-AA SERIES
	PG. 573

	CAS-N-V-AA SERIES
	PG. 576
	CAS-N-90-V-AA SERIES
	PG. 576
	38100-EHV SERIES
	PG. 579
	38400-EHV SERIES
	PG. 580
	38500-EHV SERIES
	PG. 580
	38300-EHV SERIES
	PG. 581
<b>345/500 kV Aluminum Hardware Shields</b>	
	CSBE-V-AA SERIES
	PG. 582
	4040-EHV SERIES
	PG. 582
	6040-EHV SERIES
	PG. 582

345/500 kV Aluminum Parallel Clamps	
	PC-V-AA SERIES PG. 583
	35600-EHV SERIES PG. 585
345/500 kV Aluminum Stud Connectors	
	SCB-F-V-AA SERIES PG. 586
345/500 kV Aluminum Compression	
	2800-EHV, 5300-EHV PG. 587
	2900-EHV PG. 588
	5400 PG. 589
	5500 PG. 590
	5000-EHV PG. 592

	2500-EHV PG. 593
	2600 PG. 594
	2700 PG. 594
	3400-EHV PG. 595
	S5600-EHV, S5100 -EHV PG. 596
	S5600-45-EHV, S5800-EHV PG. 599
	DP2L-V-EC PG. 604

## TYPE PSD-V-AA, PSD-V-CH-AA

### Bolted Bus Support, Pipe, Slide or Tight Fit

Double ring support is designed to be corona free for 345 kV and 500 kV service. Support is designed to be slip or tight fit depending on top caps.

#### Material

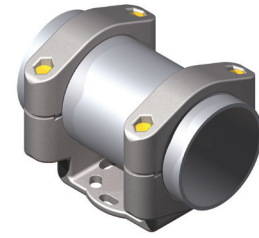
Aluminum Alloy

#### Hardware

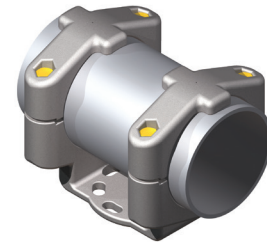
Galvanized steel bolts and lockwashers for mounting.  
Yellow anodized aluminum bolts, nuts, and lockwashers.

#### Notes

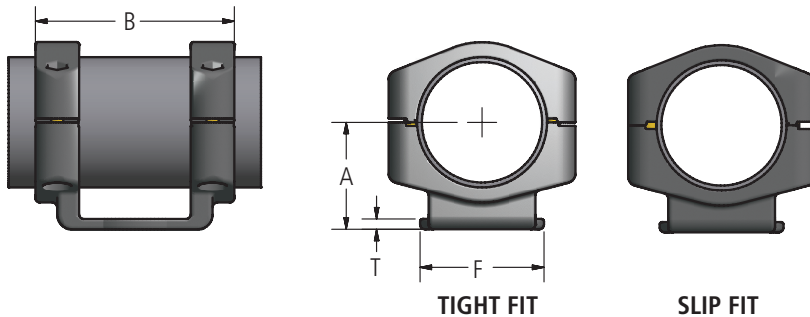
- For Grade Five galvanized steel hardware, add "-GS5" to catalog number. EX: PSD400-7-V-AA-GS5



PSD-V-AA



PSD-V-CH-AA

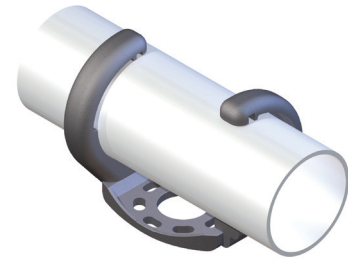


### Ordering Information

CATALOG NUMBER		S.P.S.	BOLT CIRCLE	DIMENSIONS IN INCHES				BOLT SIZE
STANDARD	WITH CHATTER SPRING			A	B	F	T	
PSD250-5-V-AA	PSD250-5-V-CH-AA	2 1/2	5	3 1/8	9 7/8	6 1/4	17/32	1/2
PSD300-3-V-AA	PSD300-3-V-CH-AA	3	3	3 5/8	10 1/8	4 1/4	5/8	5/8
PSD300-5-V-AA	PSD300-5-V-CH-AA	3	5	3 5/8	10 1/4	6 1/4	1/2	5/8
PSD300-7-V-AA	PSD300-7-V-CH-AA	3	7	3 5/8	14 1/2	8 1/2	1/2	5/8
PSD350-5-V-AA	PSD350-5-V-CH-AA	3 1/2	5	4	10 1/4	6 1/4	1/2	5/8
PSD350-7-V-AA	PSD350-7-V-CH-AA	3 1/2	7	4	14 1/2	8 1/2	1/2	5/8
PSD400-3-V-AA	PSD400-3-V-CH-AA	4	3	4 1/2	10 1/8	4 1/4	9/16	5/8
PSD400-5-V-AA	PSD400-5-V-CH-AA	4	5	4 1/2	10 1/4	6 3/8	9/16	5/8
PSD400-7-V-AA	PSD400-7-V-CH-AA	4	7	4 1/2	14 1/2	8 1/2	1/2	5/8
PSD500-3-V-AA	PSD500-3-V-CH-AA	5	3	5	10 1/8	4 1/4	9/16	5/8
PSD500-5-V-AA	PSD500-5-V-CH-AA	5	5	5	10 1/4	6 1/4	1/2	5/8
PSD500-5/7-V-AA	PSD500-5/7-V-CH-AA	5	5 & 7	5	12 3/4	8 1/2	5/8	5/8
PSD500-7-V-AA	PSD500-7-V-CH-AA	5	7	5	12 3/4	8 1/2	5/8	5/8
PSD600-5-V-AA	PSD600-5-V-CH-AA	6	5	5 1/2	10 1/4	6 1/4	1/2	5/8
PSD600-7-V-AA	PSD600-7-V-CH-AA	6	7	5 1/2	12 3/4	8 1/2	5/8	5/8
PSD800R-5-V-AA	PSD800R-5-V-CH-AA	8 DIA	5	7 1/2	10 1/4	6 1/4	1/2	5/8
PSD800R-7-V-AA	PSD800R-7-V-CH-AA	8 DIA	7	7 1/2	12 3/4	8 1/2	5/8	5/8
PSD800-5-V-AA	PSD800-5-V-CH-AA	8	5	6 7/8	10 1/4	6 1/4	1/2	5/8
PSD800-7-V-AA	PSD800-7-V-CH-AA	8	7	6 7/8	12 3/4	8 1/2	5/8	5/8

## DOSSERT® TYPE HPS-HV-AA

Hook support is designed to be corona free for 345 kV and 500 kV service. Support is designed for slip or tight fit applications; for tight fit application bus is field welded to support.



### Material

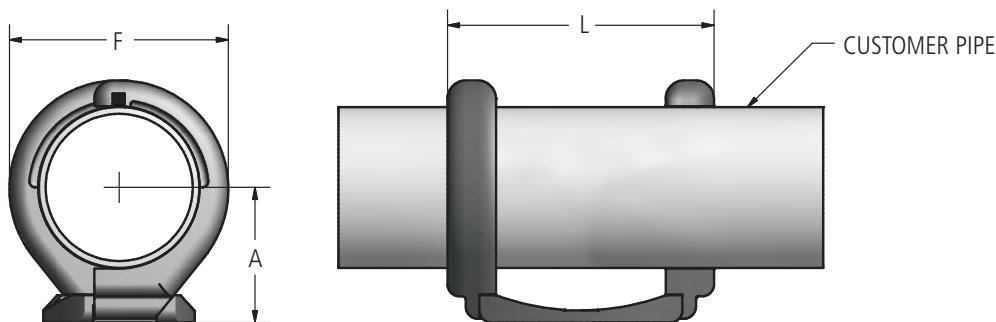
Aluminum Alloy

### Mounting Hardware

Galvanized steel bolts and lockwashers.

### Notes

Weld in field for rigid support.

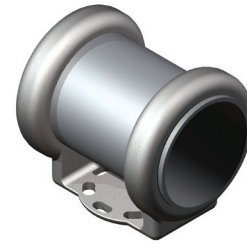


### Ordering Information

CATALOG NUMBER		SPS / EHPS	BOLT CIRCLE	DIMENSIONS IN INCHES		
STANDARD	WITH CHATTER SPRING			A	B	L
HPS250-3-HV-AA	HPS250-3-HV-CH-AA	2 1/2	3	3	5 1/16	9 3/8
HPS300-3-HV-AA	HPS300-3-HV-CH-AA	3	3	3 5/8	5 1/4	9 3/8
HPS350-5-HV-AA	HPS350-5-HV-CH-AA	3 1/2	5	4	5 7/8	10 7/8
HPS400-5-HV-AA	HPS400-5-HV-CH-AA	4	5	4 1/2	6 7/8	11
HPS400-7-HV-AA	HPS400-7-HV-CH-AA	4	7	4 1/2	6 7/8	13 1/2
HPS500-5-HV-AA	HPS500-5-HV-CH-AA	5	5	5	8 1/8	11
HPS500-7-HV-AA	HPS500-7-HV-CH-AA	5	7	5	7 7/8	13 7/8
HPS600-5-HV-AA	HPS600-5-HV-CH-AA	6	5	5 1/2	9 1/8	10 7/8
HPS600-7-HV-AA	HPS600-7-HV-CH-AA	6	7	5 1/2	9 1/8	10 7/8
HPS800-5-HV-AA	HPS800-5-HV-CH-AA	8	5	6 1/2	11 3/16	11
HPS800-10-HV-AA	HPS800-10-HV-CH-AA	8	10	6 1/2	11 1/16	17 5/8



## DOSSERT® TYPE WPS-V-AA, WPS-V-CH-AA Welded Ring Bus Support



Double ring support is designed to be corona free for 345 kV and 500 kV service. Support is designed to be slip or tight fit; for tight fit bus is field weld to support.

### Material

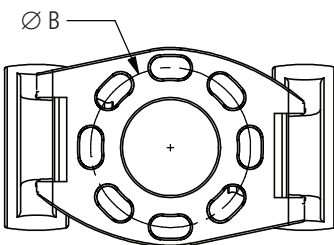
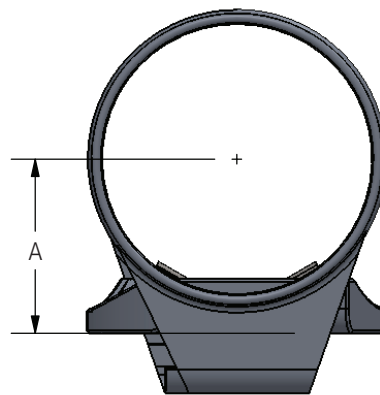
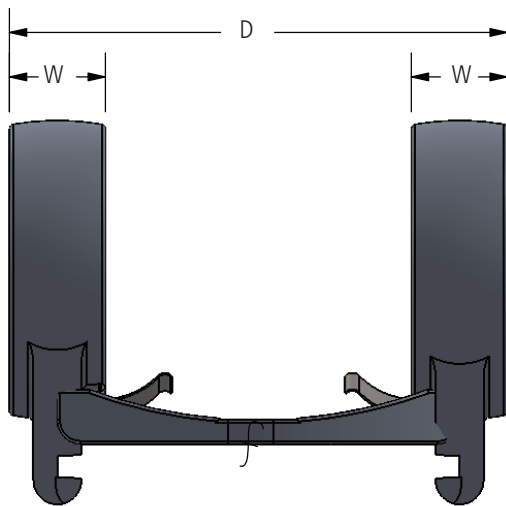
Aluminum Alloy

### Mounting Hardware

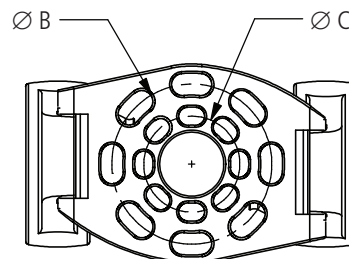
Galvanized steel bolts and lockwashers.

### Notes

- For a 5" pipe, with a 5" BC, high voltage, with a chatter spring, use WPS500-5-V-CH-AA.



PAD DETAIL A



PAD DETAIL B

*continued*  
→

## DOSSERT® TYPE WPS-V-AA, WPS-V-CH-AA Welded Ring Bus Support

### Ordering Information

CATALOG NUMBER		SPS	DETAIL	DIMENSIONS IN INCHES				
STANDARD	WITH CHATTER SPRING			A	B	C	D	W
WPS250-3-V-AA	WPS250-3-V-CH-AA	2.5	A	4.13	3.00	-	7.25	1.50
WPS250-5-V-AA	WPS250-5-V-CH-AA	2.5	A	4.13	5.00	-	10.00	1.50
WPS300-3-V-AA	WPS300-3-V-CH-AA	3	A	3.63	3.00	-	9.13	2.00
WPS300-3/5-V-AA	WPS300-3/5-V-CH-AA	3	B	3.63	3.00	5.00	10.38	2.00
WPS300-5-V-AA	WPS300-5-V-CH-AA	3	A	3.63	5.00	-	10.38	2.00
WPS300-5/7-V-AA	WPS300-5/7-V-CH-AA	3	B	3.63	5.00	7.00	12.88	2.00
WPS300-7-V-AA	WPS300-7-V-CH-AA	3	A	3.63	7.00	-	12.88	2.00
WPS350-3-V-AA	WPS350-3-V-CH-AA	3.5	A	4.00	3.00	-	9.13	2.00
WPS350-3/5-V-AA	WPS350-3/5-V-CH-AA	3.5	B	4.00	3.00	5.00	10.38	2.00
WPS350-5-V-AA	WPS350-5-V-CH-AA	3.5	A	4.00	5.00	-	10.38	2.00
WPS350-5/7-V-AA	WPS350-5/7-V-CH-AA	3.5	B	4.00	5.00	7.00	12.88	2.00
WPS350-7-V-AA	WPS350-7-V-CH-AA	3.5	A	4.00	7.00	-	12.88	2.00
WPS400-3-V-AA	WPS400-3-V-CH-AA	4	A	4.50	3.00	-	9.13	2.00
WPS400-3/5-V-AA	WPS400-3/5-V-CH-AA	4	B	4.50	3.00	5.00	10.38	2.00
WPS400-5-V-AA	WPS400-5-V-CH-AA	4	A	4.50	5.00	-	11.00	2.25
WPS400-5/7-V-AA	WPS400-5/7-V-CH-AA	4	B	4.50	5.00	7.00	12.88	2.00
WPS400-7-V-AA	WPS400-7-V-CH-AA	4	A	4.50	7.00	-	12.88	2.00
WPS500-3/5-V-AA	WPS500-3/5-V-CH-AA	5	B	5.00	3.00	5.00	10.38	2.00
WPS500-5-V-AA	WPS500-5-V-CH-AA	5	A	5.03	5.00	-	11.00	2.00
WPS500-5/7-V-AA	WPS500-5/7-V-CH-AA	5	B	5.00	5.00	7.00	12.88	2.00
WPS500-7-V-AA	WPS500-7-V-CH-AA	5	A	5.00	7.00	-	12.88	2.00
WPS600-3/5-V-AA	WPS600-3/5-V-CH-AA	6	B	5.50	3.00	5.00	10.38	2.00
WPS600-5-V-AA	WPS600-5-V-CH-AA	6	A	5.50	5.00	-	11.50	2.50
WPS600-5/7-V-AA	WPS600-5/7-V-CH-AA	6	B	5.50	5.00	7.00	12.88	2.00
WPS600-7-V-AA	WPS600-7-V-CH-AA	6	A	5.50	7.00	-	12.88	2.00

## DOSSERT® TYPE WPSSL-V-AA

### Aluminum Welded Bus Support, Slide or Fixed Type

Pipe or bus tube is welded to support. Designed for 500 kV service. The support is then bolted directly into the insulator. Bolt sleeves allow the whole support to slide on the insulator. Bolt sleeves for rigid fix support can be ordered.

#### Material

Aluminum Alloy

#### Mounting Hardware

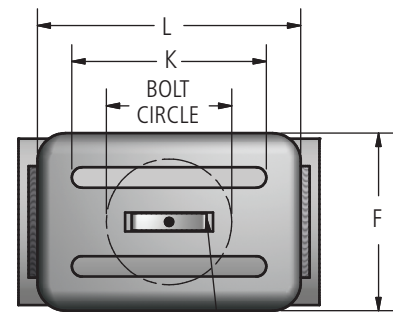
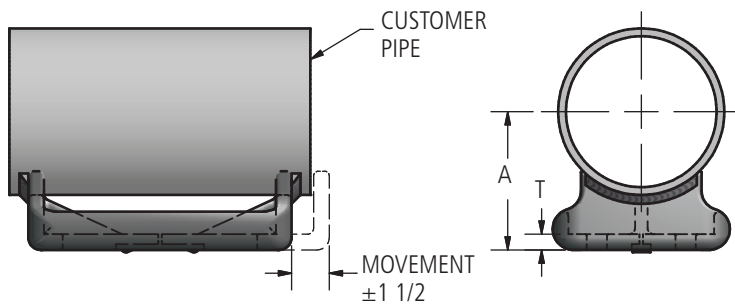
Galvanized steel bolts and lockwashers.

#### Notes

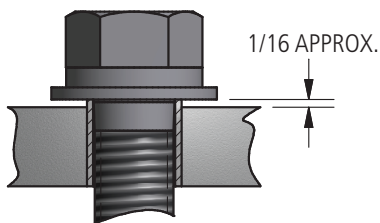
Add "-R" to catalog number for rigid fit order:  
WPSSL300-5-R-V-AA

Add "-SR" for slip and rigid fix order:  
WPSSL300-5-SR-V-AA

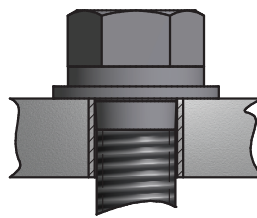
For chatter spring add "-CH" to catalog number  
order: WPSSL300-5-CH-V-AA



"-CH" CHATTER SPRING - ST. STEEL  
(FOR ASSEMBLY TYPE 1 ONLY)



SLIDE BUS SUPPORT  
ASSEMBLY 1



RIGID FIXED BUS SUPPORT  
ASSEMBLY 2

## DOSSERT® TYPE WPSL-V-AA

Aluminum Welded Bus Support, Slide or Fixed Type

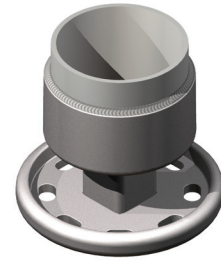
### Ordering Information

CATALOG NUMBER		SPS ALUM	BOLT CIRCLE	DIMENSIONS IN INCHES					BOLT SIZE
STANDARD	WITH CHATTER SPRING			A	F	K	L	T	
WPSL250-3-V-AA	WPSL250-3-CH-V-AA	2 1/2	3	3 1/8	4 3/4	5 1/2	8 1/2	1/2	1/2
WPSL250-5-V-AA	WPSL250-5-CH-V-AA	2 1/2	5	3 1/8	6 3/4	7 1/2	10 1/2	1/2	5/8
WPSL250-7-V-AA	WPSL250-7-CH-V-AA	2 1/2	7	3 1/8	8 3/4	9 1/2	12 1/2	1/2	3/4
WPSL300-3-V-AA	WPSL300-3-CH-V-AA	3	3	3 5/8	4 3/4	5 1/2	8 1/2	1/2	1/2
WPSL300-5-V-AA	WPSL300-5-CH-V-AA	3	5	3 5/8	6 3/4	7 1/2	10 1/2	1/2	5/8
WPSL300-7-V-AA	WPSL300-7-CH-V-AA	3	7	3 5/8	8 3/4	9 1/2	12 1/2	1/2	3/4
WPSL350-3-V-AA	WPSL350-3-CH-V-AA	3 1/2	3	4	4 3/4	5 1/2	8 1/2	5/8	1/2
WPSL350-5-V-AA	WPSL350-5-CH-V-AA	3 1/2	5	4	6 3/4	7 1/2	10 1/2	5/8	5/8
WPSL350-7-V-AA	WPSL350-7-CH-V-AA	3 1/2	7	4	8 3/4	9 1/2	12 1/2	5/8	3/4
WPSL400-3-V-AA	WPSL400-3-CH-V-AA	4	3	4 1/2	4 3/4	5 1/2	8 1/2	5/8	1/2
WPSL400-5-V-AA	WPSL400-5-CH-V-AA	4	5	4 1/2	6 3/4	7 1/2	10 1/2	5/8	5/8
WPSL400-7-V-AA	WPSL400-7-CH-V-AA	4	7	4 1/2	8 3/4	9 1/2	12 1/2	5/8	3/4
WPSL500-3-V-AA	WPSL500-3-CH-V-AA	5	3	5	4 3/4	5 1/2	8 1/2	5/8	1/2
WPSL500-5-V-AA	WPSL500-5-CH-V-AA	5	5	5	6 3/4	7 1/2	10 1/2	5/8	5/8
WPSL500-7-V-AA	WPSL500-7-CH-V-AA	5	7	5	8 3/4	9 1/2	12 1/2	5/8	3/4
WPSL600-3-V-AA	WPSL600-3-CH-V-AA	6	3	5 1/2	4 3/4	5 1/2	8 1/2	5/8	1/2
WPSL600-5-V-AA	WPSL600-5-CH-V-AA	6	5	5 1/2	6 3/4	7 1/2	10 1/2	5/8	5/8
WPSL600-7-V-AA	WPSL600-7-CH-V-AA	6	7	5 1/2	8 3/4	9 1/2	12 1/2	5/8	3/4
WPSL800R-3-V-AA	WPSL800R-3-CH-V-AA	8" O.D.	3	6 1/2	4 3/4	5 1/2	8 1/2	5/8	1/2
WPSL800R-5-V-AA	WPSL800R-5-CH-V-AA	8" O.D.	5	6 1/2	6 3/4	7 1/2	10 1/2	5/8	5/8
WPSL800R-7-V-AA	WPSL800R-7-CH-V-AA	8" O.D.	7	6 1/2	8 3/4	9 1/2	12 1/2	5/8	3/4

## DOSSERT® TYPE 34700 EHV

### Welded Vertical Bus Support

Vertical end support is designed to be corona free for 345 kV and 500 kV service. Slotted bolt holes in base provide for misalignment of insulator.

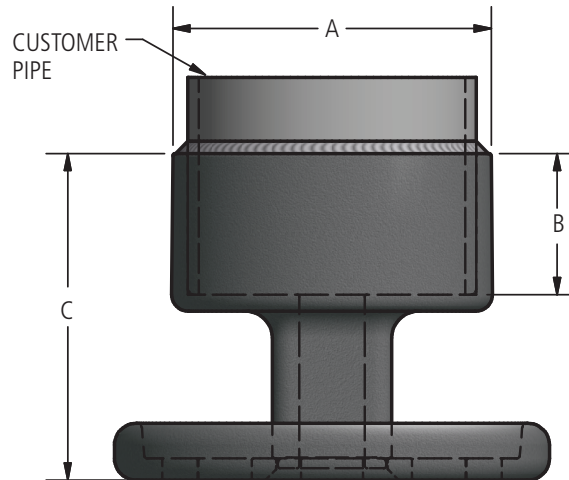


### Material

Aluminum Alloy

### Mounting Hardware

Galvanized steel bolts and lockwashers.



### Ordering Information

CATALOG NUMBER	CONDUCTOR SIZE	DIMENSIONS IN INCHES			NOMINAL WEIGHT LBS
	SPS & EPHS	A	B	C	
<b>5" BOLT CIRCLE</b>					
34708-5 EHV	3	4.12	1.75	6.25	6.1
34709-5 EHV	3-1/2	4.69	2.00	6.50	6.4
34710-5 EHV	4	5.19	2.25	6.75	6.8
34712-5 EHV	5	6.25	2.75	7.25	7.5
34713-5 EHV	6	7.38	3.25	7.75	9.0
<b>7" BOLT CIRCLE</b>					
34708-7 EHV	3	4.12	1.75	6.25	8.1
34709-7 EHV	3-1/2	4.69	2.00	6.50	8.4
34710-7 EHV	4	5.19	2.25	6.75	8.8
34712-7 EHV	5	6.25	2.75	7.25	9.5
34713-7 EHV	6	7.38	3.25	7.75	11.0
34715-7 EHV	8 OD	9	4.25	8.75	13.0
34716-7 EHV	8	9.38	4.25	8.75	13.0

## DOSSERT® TYPE WXBC-V-AA

**Welded Expansion Bus Support Rated for 345 kV**

### Material

Aluminum Alloy

### Notes

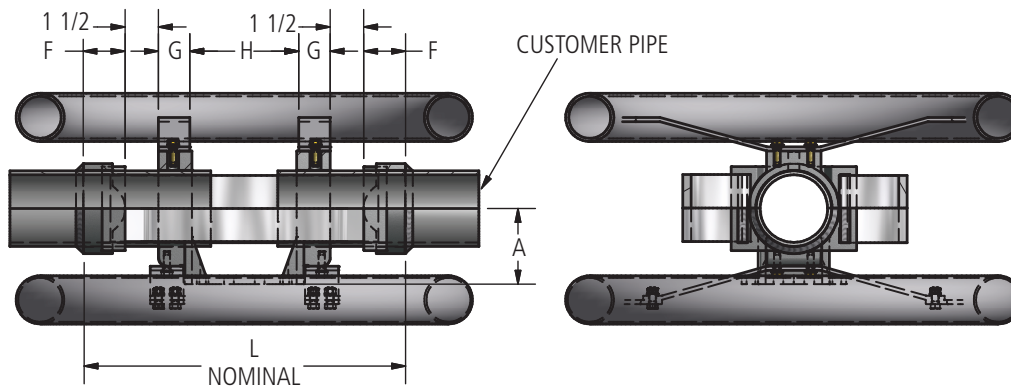
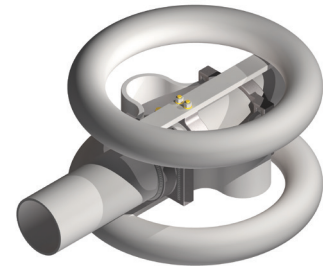
For chatter spring add "-CH" to catalog number, order: WXBC500-5-V-CH-AA.

### Hardware

Galvanized steel mounting hardware included.

Stainless steel bolts, lockwashers, and flatwashers.

For end plugs add "-WP" to catalog number, order: WXBC500-5-V-AA-WP.



### Ordering Information

CATALOG NUMBER		SPS	SCHEDULE NUMBER	BOLT CIRCLE	DIMENSIONS IN INCHES				
STANDARD	WITH CHATTER SPRING				A	F	G	H	L
WXBC300-5-V-AA	WXBC300-5-V-CH-AA	3	40	5	3 5/8	2 5/16	1 1/4	6 1/4	16 3/8
WXBC350-5-V-AA	WXBC350-5-V-CH-AA	3 1/2	40	5	4	2 5/16	1 1/4	6 1/4	16 3/8
WXBC400-5-V-AA	WXBC400-5-V-CH-AA	4	40	5	4 1/2	2 1/2	2	6 1/4	18 1/4
WXBC400-5/7-V-AA	WXBC400-5/7-V-CH-AA	4	40	5/7	4 1/2	2 1/2	2	8 3/4	20 1/2
WXBC400-7-V-AA	WXBC400-7-V-CH-AA	4	40	7	4 1/2	2 1/2	2	8 1/2	20 1/2
WXBC400E-5-V-AA	WXBC400E-5-V-CH-AA	4	80	5	4 1/2	2 1/2	2	6 1/4	18 1/4
WXBC500-5-V-AA	WXBC500-5-V-CH-AA	5	40	5	5	2 1/2	2	6 1/4	18 1/4
WXBC500E-5-V-AA	WXBC500E-5-V-CH-AA	5	80	5	5	2 1/2	2	6 1/4	18 1/4
WXBC500-7-V-AA	WXBC500-7-V-CH-AA	5	40	7	5	2 1/2	2	8 1/2	20 1/2
WXBC600-5-V-AA	WXBC600-5-V-CH-AA	6	40	5	5 1/2	2 1/2	2	6 1/4	18 1/4
WXBC600-7-V-AA	WXBC600-7-V-CH-AA	6	40	7	5 1/2	2 1/2	2	8 1/2	20 1/2
WXBC600E-5-V-AA	WXBC600E-5-V-CH-AA	6	80	5	5 1/2	2 1/2	2	6 1/4	18 1/4
WXBC800E-5-V-AA	WXBC800E-5-V-CH-AA	8	80	5	6 7/8	2 1/2	2	6 1/4	18 1/4
WXBC800R-5-V-AA	WXBC800R-5-V-CH-AA	8" O.D.	-	5	7 1/2	2 1/2	2	6 1/4	18 1/4

Each item should be either SCH 40 or SCH 80 (E).

## DOSSERT® TYPE WXBC-HV-AA

**Welded Expansion Bus Support Rated for 500 kV**

### Material

Aluminum Alloy

### Mounting Hardware

Galvanized mounting hardware included.

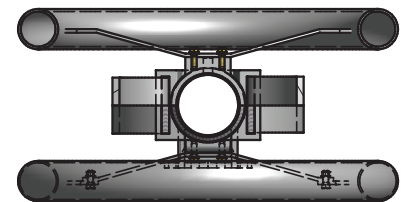
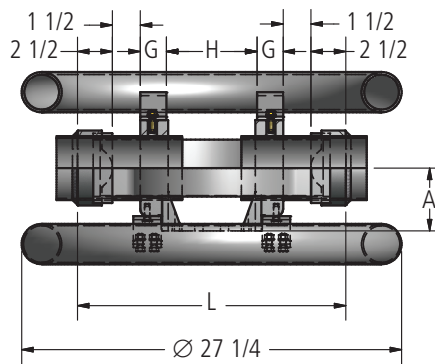
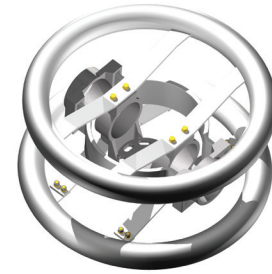
### Hardware

Stainless steel bolts, lockwashers, and flatwashers.

### Notes

For chatter spring add "-CH" to catalog number, order: WXBC500-5-HV-CH-AA.

For end plugs add "-WP" to catalog number, order: WXBC500-5-HV-AA-WP.

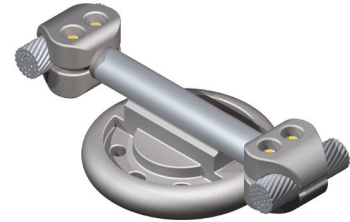


### Ordering Information

CATALOG NUMBER		SPS	SCHEDULE NUMBER	BOLT CIRCLE	DIMENSIONS IN INCHES			
STANDARD	WITH CHATTER SPRING				A	G	H	L
WXBC400-5-HV-AA	WXBC400-5-HV-CH-AA	4	40	5	4 1/2	2	6 1/4	18 1/4
WXBC400-7-HV-AA	WXBC400-7-HV-CH-AA	4	40	7	4 1/2	2	8 1/2	20 1/2
WXBC400E-5-HV-AA	WXBC400E-5-HV-CH-AA	4	80	5	4 1/2	2	6 1/4	18 1/4
WXBC400E-7-HV-AA	WXBC400E-7-HV-CH-AA	4	80	7	4 1/2	2	8 1/2	20 1/2
WXBC500-5-HV-AA	WXBC500-5-HV-CH-AA	5	40	5	5	2	6 1/4	18 1/4
WXBC500-7-HV-AA	WXBC500-7-HV-CH-AA	5	40	7	5	2	8 1/2	20 1/2
WXBC500E-5-HV-AA	WXBC500E-5-HV-CH-AA	5	80	5	5	2	6 1/4	18 1/4
WXBC600-5-HV-AA	WXBC600-5-HV-CH-AA	6	40	5	5 1/2	2	6 1/4	18 1/4
WXBC600-7-HV-AA	WXBC600-7-HV-CH-AA	6	40	7	5 1/2	2	8 1/2	20 1/2
WXBC600E-5-HV-AA	WXBC600E-5-HV-CH-AA	6	80	5	5 1/2	2	6 1/4	18 1/4
WXBC800E-5-S-HV-AA	WXBC800E-5-S-HV-CH-AA	8	80	5	6 7/8	2	6 1/4	18 1/4
WXBC800R-5-S-HV-AA	WXBC800R-5-S-HV-CH-AA	8" OD	-	5	7 1/2	2	6 1/4	18 1/4
WXBC800R-7-S-HV-AA	WXBC800R-7-S-HV-CH-AA	8" OD	-	7	7 1/2	2 1/2	9 1/8	22 1/8

Each item should be either SCH 40 or SCH 80 (E).

## DOSSERT® TYPE C2SWB-V-AA Cable Support Clamp



Two-conductor strain bus support is designed to be corona free for 500 kV service.

### Material

Aluminum Alloy

### Hardware

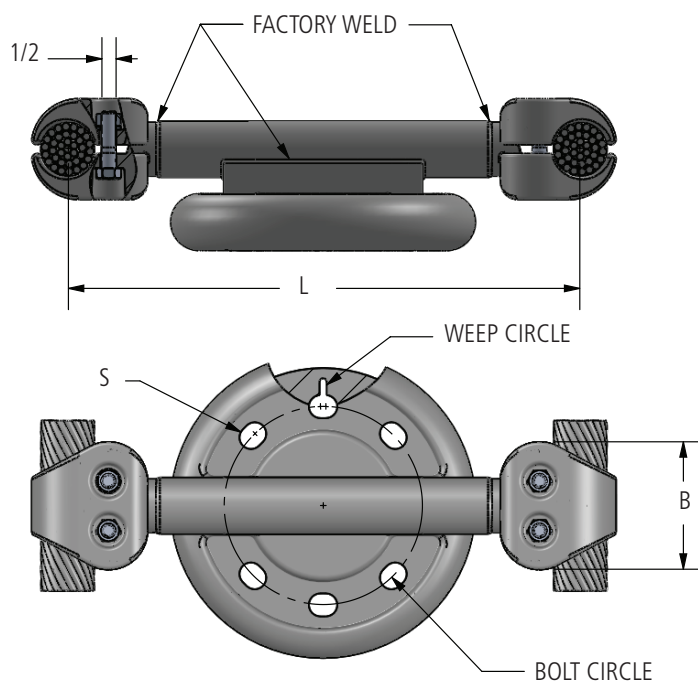
Aluminum bolts, lockwashers and nuts.

### Mounting Hardware

Galvanized steel bolts and lockwashers.

### Notes

1. For Stainless Steel Hardware, add "-SS" to catalog number.  
Example: C2SWB360-8-2-V-AA-SS
2. For Stainless Steel Bolts, Lockwashers and Everdur nuts, add "-SSHBN" to catalog number. Example: C2SWB250-8-5-V-AA-SSHBN





## DOSSERT® TYPE C2SWB-V-AA Cable Support Clamp

### Ordering Information

CATALOG NUMBER	CABLE RANGE			BOLT CIRCLE	DIMENSIONS IN INCHES		
	ALUMINUM		ACSR		B	S	L
	MIN	MAX					
C2SWB79-12-5-V-AA	750MCM	795MCM	636 (18/1) (24/7) (26/7)	5	2	11/16	12
C2SWB79-18-5-V-AA	750MCM	795MCM	636 (18/1) (24/7) (26/7)	5	2	11/16	18
C2SWB95-8-5-V-AA	800MCM	954MCM	795 (45/7) (24/7) (26/7)	5	2	11/16	8
C2SWB95-10-5-V-AA	800MCM	954MCM	795 (45/7) (24/7) (26/7)	5	2	11/16	10
C2SWB95-12-5-V-AA	800MCM	954MCM	795 (45/7) (24/7) (26/7)	5	2	11/16	12
C2SWB95-18-5-V-AA	800MCM	954MCM	795 (45/7) (24/7) (26/7)	5	2	11/16	18
C2SWB95-18-7-V-AA	800MCM	954MCM	795 (45/7) (24/7) (26/7)	7	2	13/16	18
C2SWB103-6-5-V-AA	1000MCM	1033.5MCM	954 (45/7) (54/7)	5	2	11/16	6
C2SWB103-6-7-V-AA	1000MCM	1033.5MCM	954 (45/7) (54/7)	7	2	13/16	6
C2SWB103-12-5-V-AA	1000MCM	1033.5MCM	954 (45/7) (54/7)	5	2	11/16	12
C2SWB103-12-7-V-AA	1000MCM	1033.5MCM	954 (45/7) (54/7)	7	2	13/16	12
C2SWB103-18-5-V-AA	1000MCM	1033.5MCM	954 (45/7) (54/7)	5	2	11/16	18
C2SWB103-18-7-V-AA	1000MCM	1033.5MCM	954 (45/7) (54/7)	7	2	13/16	18
C2SWB127-12-5-V-AA	1113MCM	1272MCM	1033(54/7), 1113 (45/7) (54/19)	5	4 1/2	11/16	12
C2SWB127-12-7-V-AA	1113MCM	1272MCM	1033(54/7), 1113 (45/7) (54/19)	7	4 1/2	13/16	12
C2SWB127-18-5-V-AA	1113MCM	1272MCM	1033(54/7), 1113 (45/7) (54/19)	5	4 1/2	11/16	18
C2SWB127-18-7-V-AA	1113MCM	1272MCM	1033(54/7), 1113 (45/7) (54/19)	7	4 1/2	13/16	18
C2SWB143-12-5-V-AA	1300MCM	1431MCM	1272 (45/7) (54/19)	5	4 1/2	11/16	12
C2SWB143-18-5-V-AA	1300MCM	1431MCM	1272 (45/7) (54/19)	5	4 1/2	11/16	18
C2SWB143-18-7-V-AA	1300MCM	1431MCM	1272 (45/7) (54/19)	7	4 1/2	13/16	18
C2SWB160-6-5-V-AA	1500MCM	1600MCM 1272 ROPE L.	1431 (45/7) (54/19)	5	4 1/2	11/16	6
C2SWB160-6-7-V-AA	1500MCM	1600MCM 1272 ROPE L.	1431 (45/7) (54/19)	7	4 1/2	11/16	6
C2SWB160-12-5-V-AA	1500MCM	1600MCM 1272 ROPE L.	1431 (45/7) (54/19)	5	4 1/2	11/16	12
C2SWB160-12-7-V-AA	1500MCM	1600MCM 1272 ROPE L.	1431 (45/7) (54/19)	7	4 1/2	11/16	12
C2SWB160-18-5-V-AA	1500MCM	1600MCM 1272 ROPE L.	1431 (45/7) (54/19)	5	4 1/2	11/16	18
C2SWB160-18-7-V-AA	1500MCM	1600MCM 1272 ROPE L.	1431 (45/7) (54/19)	7	4 1/2	13/16	18
C2SWB180-8-5-V-AA	1700MCM	1800MCM	1590 (45/7) (54/19)	5	4 1/2	11/16	8
C2SWB180-12-5-V-AA	1700MCM	1800MCM	1590 (45/7) (54/19)	5	4 1/2	11/16	12
C2SWB180-18-5-V-AA	1700MCM	1800MCM	1590 (45/7) (54/19)	5	4 1/2	11/16	18
C2SWB180-18-7-V-AA	1700MCM	1800MCM	1590 (45/7) (54/19)	7	4 1/2	13/16	18
C2SWB205-6-5-V-AA	2000MCM	2049MCM	1780(84/19), 2034.5(72/7)	5	4 1/2	11/16	6
C2SWB205-12-5-V-AA	2000MCM	2049MCM	1780(84/19), 2034.5(72/7)	5	4 1/2	11/16	12
C2SWB205-13-5-V-AA	2000MCM	2049MCM	1780(84/19), 2034.5(72/7)	5	4 1/2	11/16	13

## DOSSERT® TYPE C2SWB-V-AA Cable Support Clamp

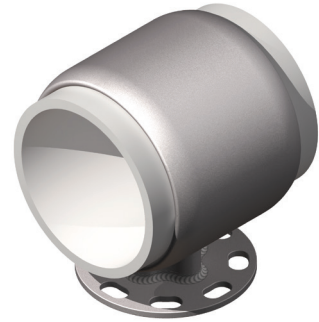
### Ordering Information

CATALOG NUMBER	CABLE RANGE			BOLT CIRCLE	DIMENSIONS IN INCHES		
	ALUMINUM		ACSR		B	S	L
	MIN	MAX					
C2SWB205-18-5-V-AA	2000MCM	2049MCM	1780(84/19), 2034.5(72/7)	5	4 1/2	11/16	18
C2SWB205-18-7-V-AA	2000MCM	2049MCM	1780(84/19), 2034.5(72/7)	7	4 1/2	13/16	18
C2SWB205-43-5-V-AA	2000MCM	2049MCM	1780(84/19), 2034.5(72/7)	5	4 1/2	11/16	43
C2SWB240R-14-5-V-AA	—	2.40 O.D.	—	5	4 1/2	11/16	14
C2SWB250-8-5-V-AA	2250MCM	2500MCM	2156(84/19), 2300(96/19)	5	4 1/2	11/16	8
C2SWB250-12-5-V-AA	2250MCM	2500MCM	2156(84/19), 2300(96/19)	5	4 1/2	11/16	12
C2SWB250-13-5-V-AA	2250MCM	2500MCM	2156(84/19), 2300(96/19)	5	4 1/2	11/16	13
C2SWB250-14-7-V-AA	2250 MCM	2500MCM	2156(84/19), 2300(96/19)	7	4 1/2	11/16	14
C2SWB250-18-5-V-AA	2250MCM	2500MCM	2156(84/19), 2300(96/19)	5	4 1/2	11/16	18
C2SWB250-18-7-V-AA	2250MCM	2500MCM	2156(84/19), 2300(96/19)	7	4 1/2	13/16	18
C2SWB275-18-5-V-AA	—	2750MCM	2515(76/19)	5	4 1/2	11/16	18
C2SWB275-18-7-V-AA	—	2750MCM	2515(76/19)	7	4 1/2	13/16	18
C2SWB300-12-7-V-AA	2750MCM	3000MCM	—	7	4 1/2	13/16	12
C2SWB350-6-5-V-AA	—	3500MCM	—	5	5 1/2	11/16	6
C2SWB350-13-5-V-AA	—	3500 MCM	—	5	5 1/2	11/16	13

## DOSSERT® TYPE 15700 EHV

### Support, Bolted, Slip & Fixed

Single ring support is designed to be corona free for 345 kV and 500 kV service. Support is designed to be slip or tight fit; for tight fit bus is field welded to support. Stainless steel chatter springs are supplied as standard item for slip fit applications.

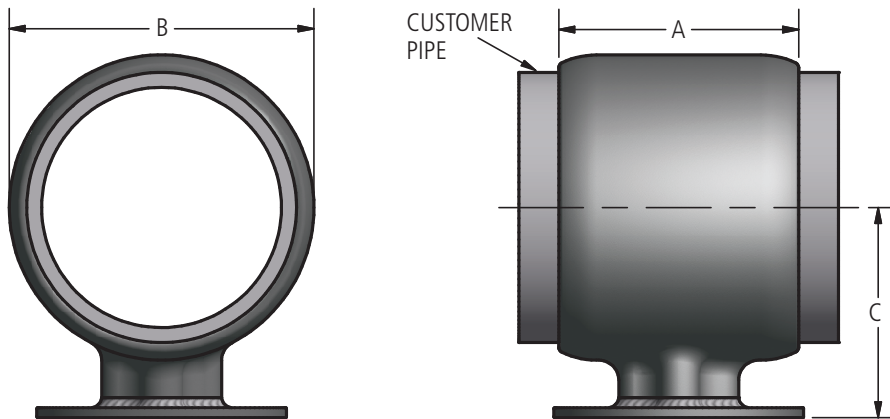


### Material

Aluminum Alloy

### Mounting Hardware

Galvanized steel bolts and lockwashers.



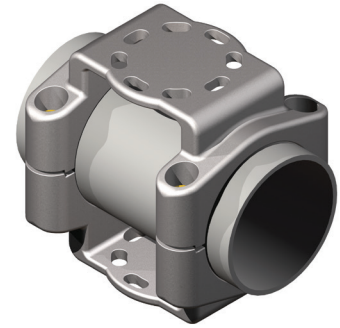
### Ordering Information

CATALOG NUMBER	CONDUCTOR SIZE	DIMENSIONS IN INCHES			NOMINAL WEIGHT LBS
	SPS & EPHS	A	B	C	
<b>5" BOLT CIRCLE</b>					
15708-5 EHV	3	3.00	4.44	3.62	3.2
15709-5 EHV	3 1/2	3.50	5.00	4.00	3.8
15710-5 EHV	4	4.00	5.56	4.50	4.6
15712-5 EHV	5	5.00	6.44	5.00	5.4
15713-5 EHV	6	6.00	7.62	5.50	7.7
<b>7" BOLT CIRCLE</b>					
15708-7 EHV	3	3.00	4.44	3.62	4.3
15709-7 EHV	3 1/2	3.50	5.00	4.00	4.9
15710-7 EHV	4	4.00	5.56	4.50	5.7
15712-7 EHV	5	5.00	6.44	5.00	6.5
15713-7 EHV	6	6.00	7.62	5.50	8.8

## DOSSERT® TYPE 32800 EHV

### Support, Bolted, Wave Trap-Type

Wave trap support is designed to be corona free for 345 kV and 500 kV service. Support is combination wave trap support and tight fit bus support designed with standard bolt circle pattern on top and bottom mounting surfaces. Support is supplied with bus clamp hardware and two sets of insulator mounting hardware. Distance from the centerline of the bus to top and bottom mounting surfaces is standard NEMA center line distance.



### Material

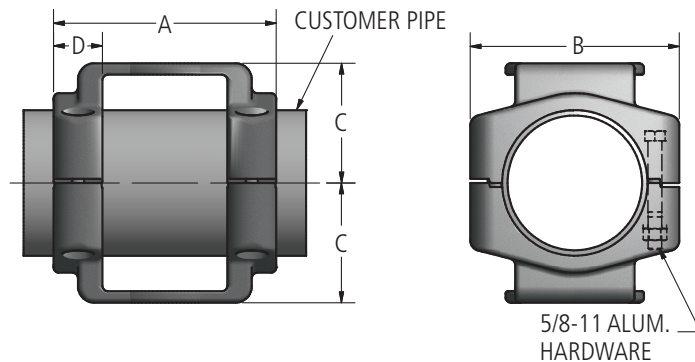
Aluminum Alloy

### Mounting Hardware

Galvanized steel bolts and lockwashers.

### Hardware

Yellow anodized aluminum bolts, nuts, and lockwashers.

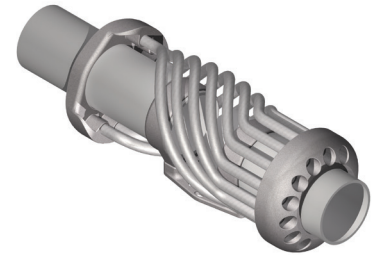


### Ordering Information

CATALOG NUMBER	CONDUCTOR SIZE SPS AND EPHS	DIMENSIONS IN INCHES				NOMINAL WEIGHT LBS
		A	B	C	D	
<b>5" BOLT CIRCLE</b>						
32807-5EHV	2 1/2	10.50	6.00	3.13	2.00	7.8
32808-5 EHV	3	10.50	7.25	3.62	2.00	8.8
32809-5 EHV	3 1/2	11.00	7.75	4.00	2.25	13.1
32810-5 EHV	4	11.00	8.25	4.50	2.25	15.8
32812-5 EHV	5	11.50	9.50	5.00	2.50	19.1
32813-5 EHV	6	11.50	10.50	5.50	2.50	19.7
<b>7" BOLT CIRCLE</b>						
32808-7 EHV	3	12.75	7.25	3.62	2.00	11.0
32809-7 EHV	3 1/2	13.25	7.75	4.00	2.25	14.9
32810-7 EHV	4	13.25	8.25	4.50	2.25	17.6
32812-7 EHV	5	13.75	9.50	5.00	2.50	20.9
32813-7 EHV	6	13.75	10.50	5.50	2.50	21.5

## DOSSERT® TYPE 35700 EHV

Expansion support is designed to be corona free for 500 kV service. Rope lay expansion provides for 2.6" (66 mm) of expansion or contraction. Dimension "D" shown is for an installation temperature of 68° F (20° C). For other installation temperatures, see the General Information Section on page 11 in the Substation Accessories catalog. Stainless steel chatter springs are supplied; weld end plugs can be supplied if required.



### Material

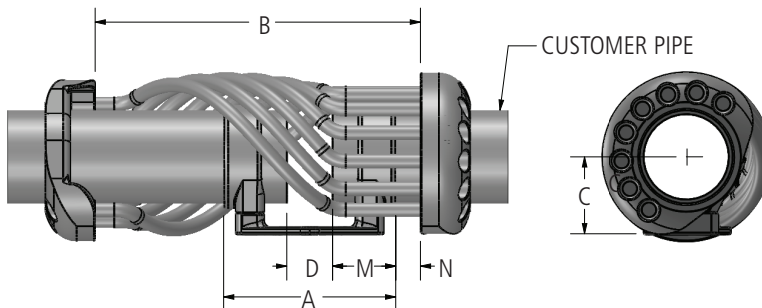
Aluminum Alloy

### Mounting Hardware

Galvanized steel bolts and lockwashers.

### Notes

- For end plugs, add "-WP" to catalog number for Schedule 40 pipe, "-WPE" for Schedule 80. EX: 35712-7EHV-WPE.



### Ordering Information

CATALOG NUMBER	CONDUCTOR SIZE	DIMENSIONS IN INCHES						NOMINAL WEIGHT LBS
	SPS & EPHS	A	B	C	D	M	N	
<b>5" BOLT CIRCLE</b>								
35708-5 EHV	3	10.50	20.50	3.62	3.25	3.62	1.75	21.0
35709-5 EHV	3 1/2	11.00	21.94	4.00	3.25	3.88	1.75	22.0
35710-5 EHV	4	11.00	21.94	4.50	3.25	3.88	1.75	23.0
35712-5 EHV	5	11.50	20.62	5.00	3.25	4.12	1.75	26.0
35713-5 EHV	6	11.50	23.12	5.50	3.25	4.12	1.75	34.0
35714-5 EHV	8	12.75	25.00	6.91	3.25	6.50	1.75	40.0
<b>7" BOLT CIRCLE</b>								
35708-7 EHV	3	12.75	22.75	3.62	3.25	4.75	1.75	22.0
35709-7 EHV	3 1/2	13.25	24.19	4.00	3.25	5.00	1.75	23.0
35710-7 EHV	4	13.25	24.19	4.50	3.25	5.00	1.75	24.0
35712-7 EHV	5	13.75	22.88	5.00	3.25	5.25	1.75	27.0
35713-7 EHV	6	13.75	25.38	5.50	3.25	5.25	1.75	35.0

## DOSSERT® TYPE 33800 EHV

### Cable Support

Single conductor strain bus support is designed to be corona free for 345 kV service. Support is designed with universal groove to accept conductors with diameter from 1.545" to 2.158".

### Material

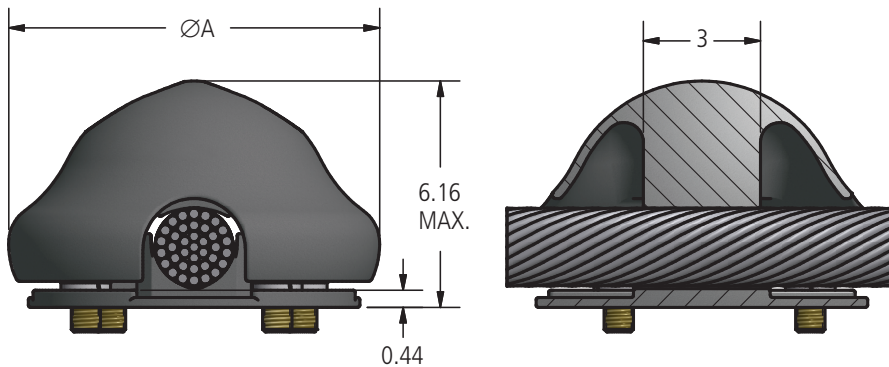
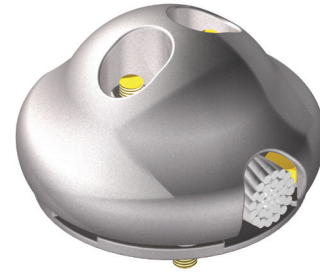
Aluminum Alloy

### Mounting Hardware

Galvanized steel bolts and lockwashers.

### Hardware

Yellow anodized aluminum bolts, nuts, and lockwashers.



### Ordering Information

CATALOG NUMBER	CONDUCTOR DIAMETER RANGE	DIMENSIONS IN INCHES	NOMINAL WEIGHT LBS
		A	
<b>5" BOLT CIRCLE</b>			
33805-5 EHV	1.545 - 2.158	7.25	4.5
<b>7" BOLT CIRCLE</b>			
33805-7 EHV	1.545 - 2.158	9.5	6.6

## DOSSERT®

### TYPE CP-V-AA

#### Pipe-to-Pipe Coupler

Joins two pipes of the same size together corona free up to 500 kV.

#### Material

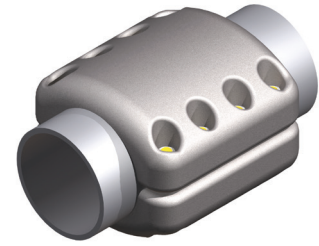
Aluminum Alloy

#### Hardware

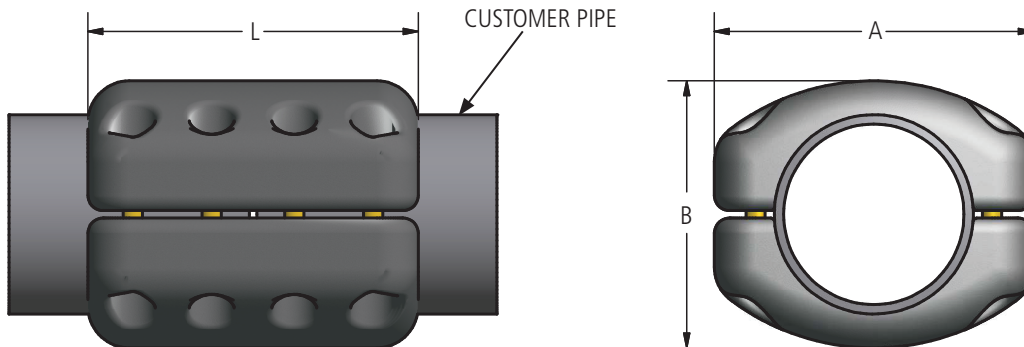
Yellow anodized aluminum nuts, bolts, and lockwashers.

#### Notes

- For Grade Five Galvanized Steel Hardware add "-GS5" to catalog number.  
EX: CP400-V-AA-GS5
- For Stainless Steel bolts, lockwashers and Everdur nuts add "-SSHBN" to catalog number. EX:  
CP400-V-AASSHBN



345/500 kV Couplers



#### Ordering Information

CATALOG NUMBER	SPS	DIMENSIONS IN INCHES			BOLT SIZE	NUMBER BOLTS
		A	B	L		
CP250-V-AA	2 1/2	5 3/4	4 7/8	8 1/4	1/2	8
CP300-V-AA	3	7 3/8	5 1/8	10 1/4	5/8	8
CP350-V-AA	3 1/2	7 7/8	6 1/8	10 1/4	5/8	8
CP400-V-AA	4	8 3/8	6 5/8	12 1/4	5/8	8
CP500-V-AA	5	9 3/8	7 7/8	16 1/4	5/8	12
CP600-V-AA	6	10 5/8	8 7/8	11	5/8	8
CP800R-V-AA	8" OD	12	11 1/8	18 1/4	5/8	12
CP800-V-AA	8	11 7/8	10 7/8	18 1/4	5/8	12

## DOSSERT® TYPE CPV-V-AA

### Variable Angle Pipe Coupler

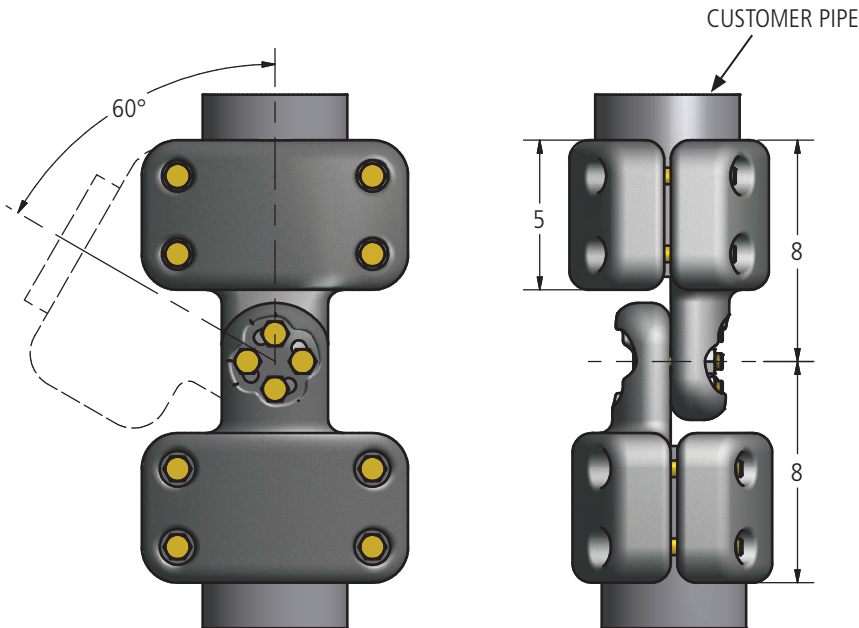
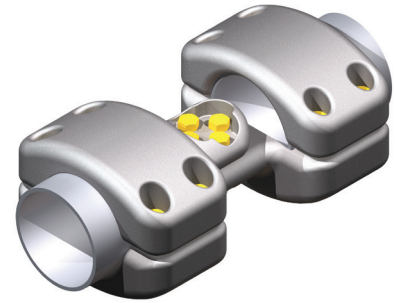
Pipe coupler is designed to be corona free for 345 kV and 500 kV service. Coupler designed to change angle to the installers suit.

#### Material

Aluminum Alloy

#### Hardware

Yellow anodized aluminum bolts, nuts, and lockwashers.



### Ordering Information

CATALOG NUMBER	SPS	NOMINAL WEIGHT LBS
CPV400-V-AA	4	26
CPV500-V-AA	5	47
CPV600-V-AA	6	54



## DOSSERT<sup>®</sup> TYPE WWC-AA, WWC-E-AA

### Aluminum Welded Coupler Rated for 500 kV

Coupler is designed to make connections with high mechanical strength and high electrical conductivity.

#### Material

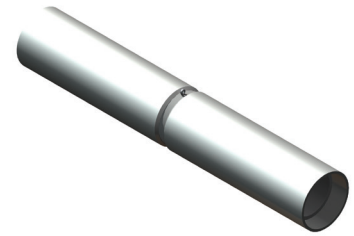
Aluminum tubing

#### Hardware

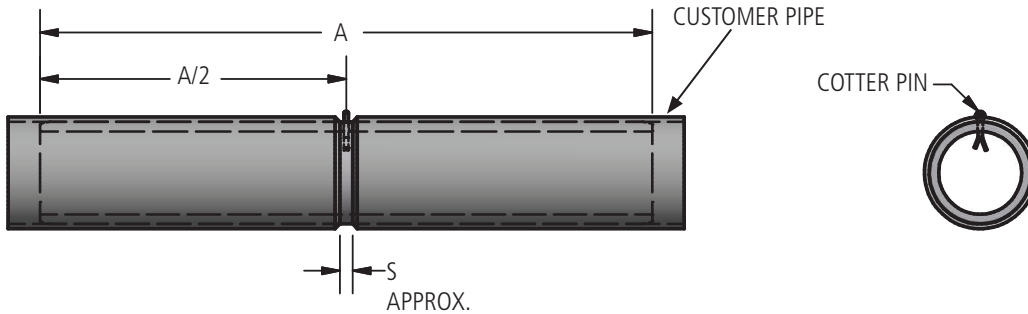
Aluminum cotter pin

#### Notes

For pipe sizes greater than 6 inch or special I.D. and O.D. applications, please contact AFL. A shorter version of this coupler is Type WS.



345/500 kV Couplers



### Ordering Information

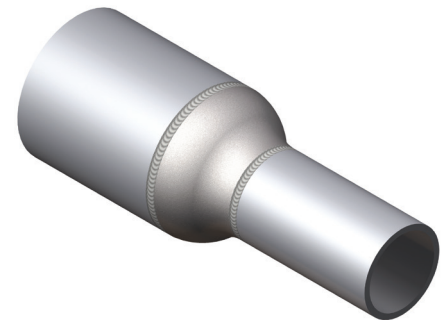
CATALOG NUMBER		SPS / EPHS	DIMENSIONS (INCHES)	
SCHEDULE 40	SCHEDULE 80		A	S
WWC75-AA	WWC75E-AA	3/4	4-1/2	1/4
WWC100-AA	WWC100E-AA	1	6	1/4
WWC125-AA	WWC125E-AA	1-1/4	7-1/2	3/8
WWC150-AA	WWC150E-AA	1-1/2	9	3/8
WWC200-AA	WWC200E-AA	2	12	3/8
WWC250-AA	WWC250E-AA	2-1/2	15	1/2
WWC300-AA	WWC300E-AA	3	18	1/2
WWC350-AA	WWC350E-AA	3-1/2	21	1/2
WWC400-AA	WWC400E-AA	4	24	1/2
WWC450-AA	WWC450E-AA	4-1/2	24	1/2
WWC500-AA	WWC500E-AA	5	24	1/2
WWC600-AA	WWC600E-AA	6	24	5/8
WWC600-5/8-AA	—	6-5/8 WALL	12	5/8
WWC600R38-AA	—	6 OD 3/8 WALL	38	5/8
WWC800-AA	WWC800E-AA	8	24	5/8
WWC800R38-AA	—	8 OD 3/8 WALL	38	5/8
WWC800R-AA	—	8 OD 1/2 WALL	24	5/8
WWC800R9/32-AA	—	8 OD 9/32 WALL	12	5/8

## DOSSERT®

### TYPE WWCR-V-AA

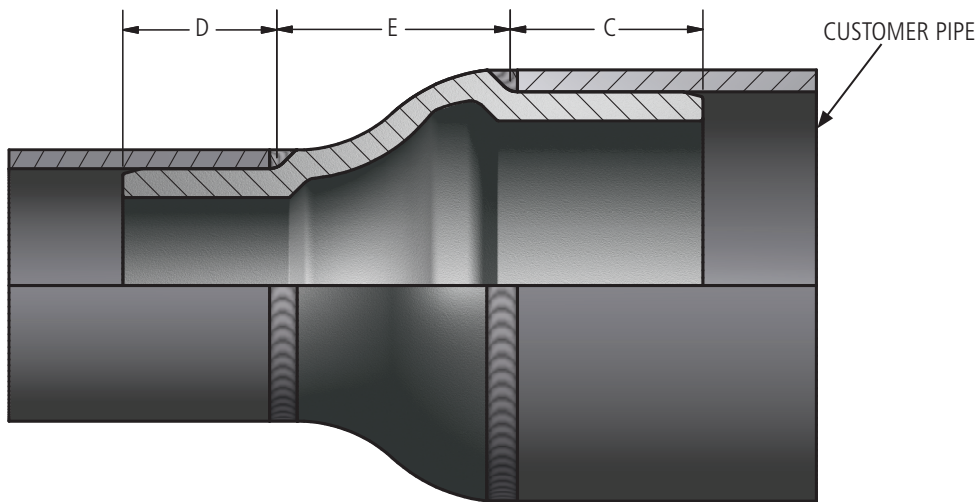
#### Welded Reducing Coupler

Reducing coupler for joining aluminum pipe of different diameters. Designed to be corona free for 500 kV service. Provides maximum structural reinforcement at the joint as well as neat and corona free installation. Pipe is easily aligned and held during welding.



#### Material

Aluminum Alloy



#### Ordering Information

CATALOG NUMBER	SPS		DIMENSIONS IN INCHES		
	RUN	REDUCED	C	D	E
WWCR400-300-V-AA	4	3	2 1/4	2	1 5/16
WWCR400-350-V-AA	4	3 1/2	2 1/4	2	1
WWCR500-250-V-AA	5	2 1/2	2 1/2	2	3
WWCR500-300-V-AA	5	3	2 1/2	2	3
WWCR500-350-V-AA	5	3 1/2	2 1/2	2	1 13/16
WWCR500-400-V-AA	5	4	2 1/2	2 1/4	1 3/8
WWCR500E-400E-V-AA	5 SCH80	4 SCH80	2 3/4	2 1/4	2 1/8
WWCR600-300-V-AA	6	3	3	2	2 1/2
WWCR600-350-V-AA	6	3 1/2	3	2	2 1/2
WWCR600-400-V-AA	6	4	3	2 1/4	2 3/4
WWCR600-500-V-AA	6	5	3	2 1/2	2 1/2
WWCR800R-400-V-AA	8 OD	4	4	3	3 5/16
WWCR800-500-V-AA	8	5	4	3	3

## DOSSERT® TYPE XWWC-V-AA, XWWC-HV-AA

### Expansion Coupler

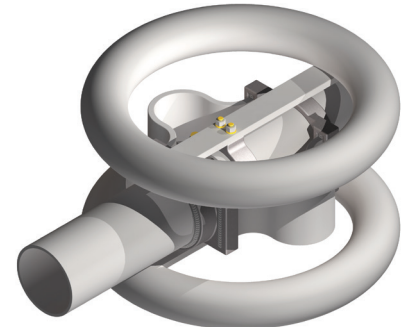
Expansion coupler for aluminum pipe connections. Provided with alignment guide for field weld.

### Material

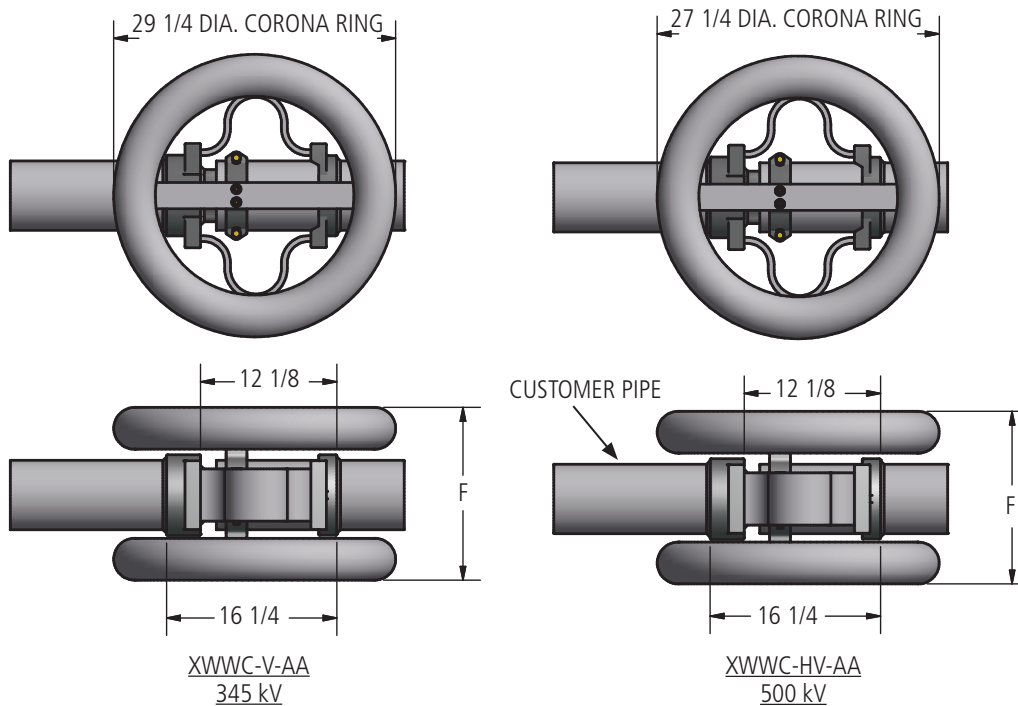
Aluminum Alloy

### Hardware

Aluminum bolts, nuts, and lockwashers.



345/500 kV Couplers



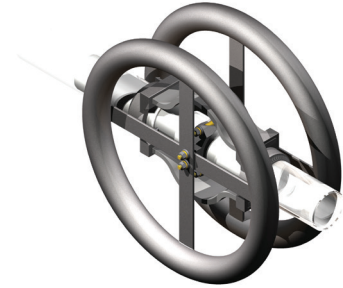
### Ordering Information

CATALOG NUMBER				SPS / EPHS	DIMENSIONS IN INCHES
345 kV		500 kV			F
SCHEDULE 40	SCHEDULE 80	SCHEDULE 40	SCHEDULE 80		
XWWC250-V-AA	XWWC250E-V-AA	XWWC250-HV-AA	XWWC250E-HV-AA	2 1/2	10 1/4
XWWC300-V-AA	XWWC300E-V-AA	XWWC300-HV-AA	XWWC300E-HV-AA	3	11 1/4
XWWC400-V-AA	XWWC400E-V-AA	XWWC400-HV-AA	XWWC400E-HV-AA	4	12 1/8
XWWC500-V-AA	XWWC500E-V-AA	XWWC500-HV-AA	XWWC500E-HV-AA	5	13 1/8
XWWC600-V-AA	XWWC600E-V-AA	XWWC600-HV-AA	XWWC600E-HV-AA	6	14 1/4
XWWC800-V-AA	XWWC800E-V-AA	XWWC800-HV-AA	XWWC800E-HV-AA	8	15 1/4

## DOSSERT® TYPE XWWCT-HV-AA

### Expansion Coupler

Expansion coupler for aluminum pipe connections. Part is designed to be corona free from 345 kV to 500 kV. Provided with alignment guide for field weld.

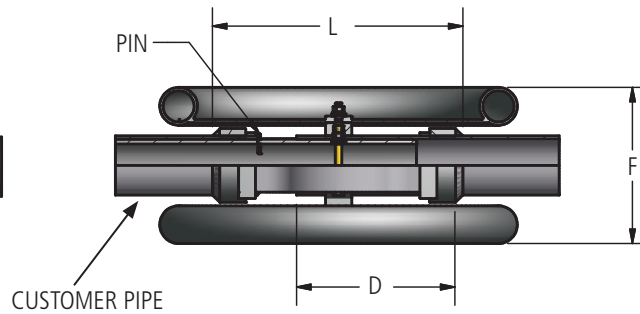
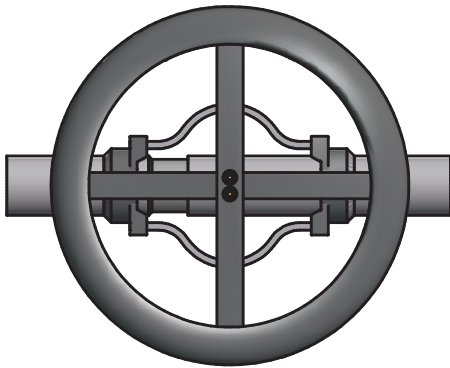


### Material

Aluminum Alloy

### Hardware

Aluminum bolts, nuts, and lockwashers.



### Ordering Information

CATALOG NUMBER		SPS / EPHS	DIMENSIONS IN INCHES		
SCHEDULE 40	SCHEDULE 80		D	F	L
XWWCT200-HV-AA	XWWCT200E-HV-AA	2	10 1/4	6	17 3/8
XWWCT250-HV-AA	XWWCT250E-HV-AA	2 1/2	10 1/4	6	17 1/2
XWWCT300-HV-AA	XWWCT300E-HV-AA	3	11 1/4	6	17 1/2
XWWCT350-HV-AA	XWWCT350E-HV-AA	3 1/2	11 1/4	6	17 1/2
XWWCT400-HV-AA	XWWCT400E-HV-AA	4	12 1/8	7	18
XWWCT500-HV-AA	XWWCT500E-HV-AA	5	13 1/8	7	18
XWWCT600-HV-AA	XWWCT600E-HV-AA	6	14 1/4	7	18
XWWCT800-HV-AA	XWWCT800E-HV-AA	8	18	7	18

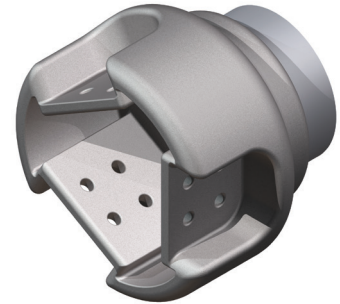
## DOSSERT® TYPE WRP3C-8-V-AA

### Welded Terminal to Three NEMA Pads

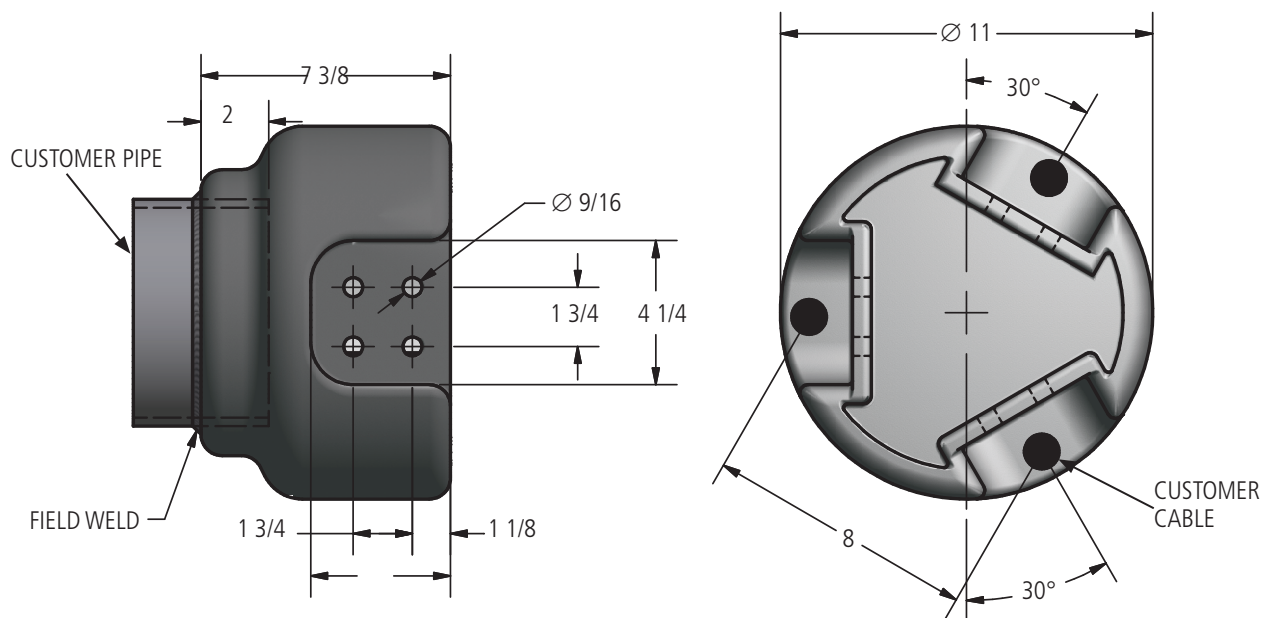
Pipe ending going to three NEMA pads. Part is designed to be corona free for 345 kV and 500 kV service.

#### Material

Aluminum Alloy



345/500 kV Couplers



### Ordering Information

CATALOG NUMBER	SPS
WRP3C350-8-V-AA	3 1/2
WRP3C400-8-V-AA	4
WRP3C500-8-V-AA	5
WRP3C600-8-V-AA	6
WRP3C800R-8-V-AA	8 OD

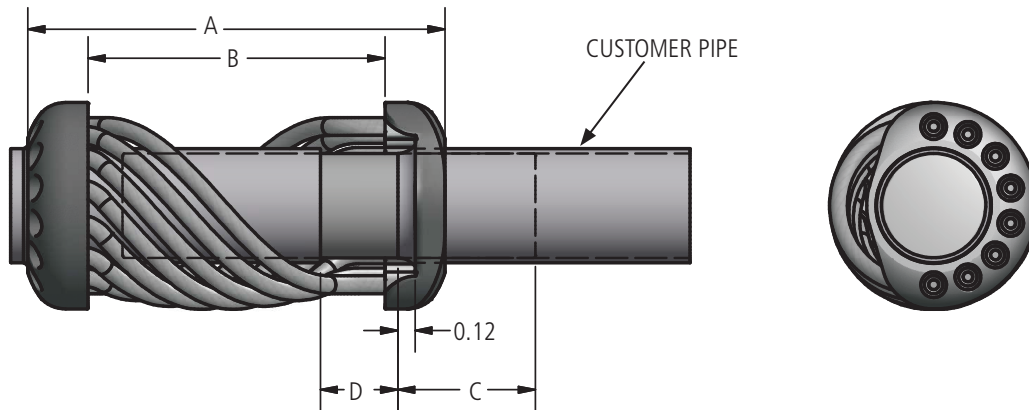
## DOSSERT® TYPE 35300 EHV

### Welded Expansion Coupler (Tube)

Expansion coupler is designed to be corona free for 500 kV service. Rope lay expansion provides for 2.6" of expansion or contraction.

#### Material

Aluminum Alloy



### Ordering Information

CATALOG NUMBER	CONDUCTOR SIZE	DIMENSIONS IN INCHES				NOMINAL WEIGHT LBS
	SPS & EPHS	A	B	C	D	
35308 EHV	3 SPS	21.38	15.38	6.56	3.25	30.3
35328 EHV	3 EHPs	21.38	15.38	6.56	3.25	31.1
35309 EHV	3 1/2 SPS	21.38	15.38	6.81	3.25	29.3
35329 EHV	3 1/2 EHPs	21.38	15.38	6.81	3.25	30.6
35310 EHV	4 SPS	21.38	15.38	7.25	3.25	30.0
35330 EHV	4 EHPs	21.38	15.38	7.25	3.25	32.0
35312 EHV	5 SPS	22.00	15.00	8.00	3.25	35.3
35332 EHV	5 EHPs	22.00	15.00	8.00	3.25	38.7
35313 EHV	6 SPS	24.25	17.25	8.88	3.25	45.0
35333 EHV	6 EHPs	24.25	17.25	8.88	3.25	49.4

## DOSSERT® TYPE 1705-EHV, 1706-EHV

### Internal and External Vibration Damper

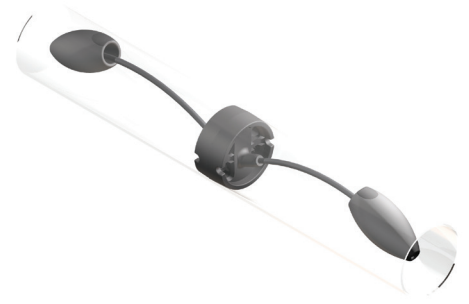
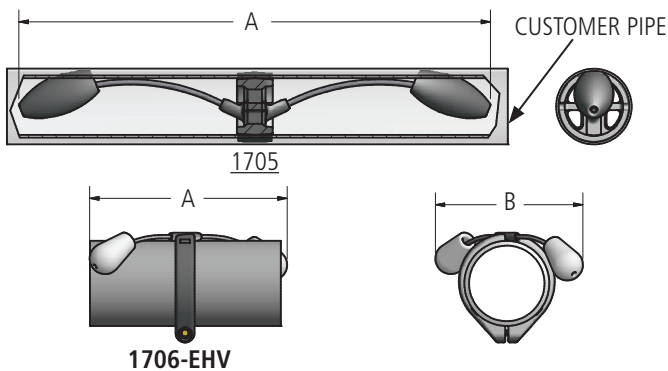
Internal and external damper is designed to be corona free (see chart below for voltage ratings). Internal damper is designed to be welded inside bus, to be corona free, and to present a "clean" appearance to the substation. External damper is to be bolted to outside of tube. External damper can be installed during construction or at a later time to correct vibration problems not originally anticipated.

#### Material

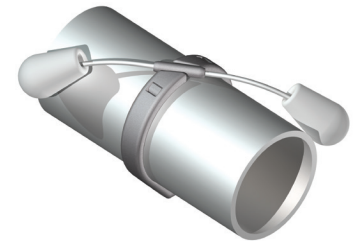
Aluminum Alloy

#### Hardware

Aluminum nuts, bolts, and lockwashers.



1705-EHV



1706-EHV

345/500 kV  
Vibration Dampers

### Ordering Information

INTERNAL DAMPER					
CATALOG NUMBER	CONDUCTOR SIZE	DIMENSIONS IN INCHES		NOMINAL WEIGHT IN LBS	
		A		ALUMINUM	TOTAL
1705-504	5 SPS	36.88		2.7	13.3
1705-576	6 EHPS	35.25		3.3	14.0
1705-607	6 SPS	35.25		4.0	14.7
1705-762	8 EHPS	36.88		3.3	13.9
1705-798	8 SPS	36.88		3.4	14.0
1705-700	8" OD x 1/2 WALL	36.88		3.2	13.8
1705-725	8" OD x 3/8 WALL	36.88		3.2	13.8

EXTERNAL DAMPER						
CATALOG NUMBER	VOLTAGE RATING	CONDUCTOR SIZE SPS & EHPS	DIMENSIONS IN INCHES		NOMINAL WEIGHT IN LBS	
			A	B	ALUMINUM	TOTAL
1706-008 EHV	345 kV	3	28.0	12.6	1.9	15.6
1706-009 EHV	345 kV	3 1/2	27.8	13.2	2.0	15.7
1706-010 EHV	345 kV	4	27.6	13.6	2.1	15.8
1706-012 EHV	345 kV	5	26.8	15.4	2.5	16.2
1706-013 EHV	345 kV	6	26.2	17.8	2.7	16.4
1706-014 EHV	500 kV	8" OD	24.8	18.6	3.9	17.6

## DOSSERT® TYPE CXBHV-AA, CXWHV-AA

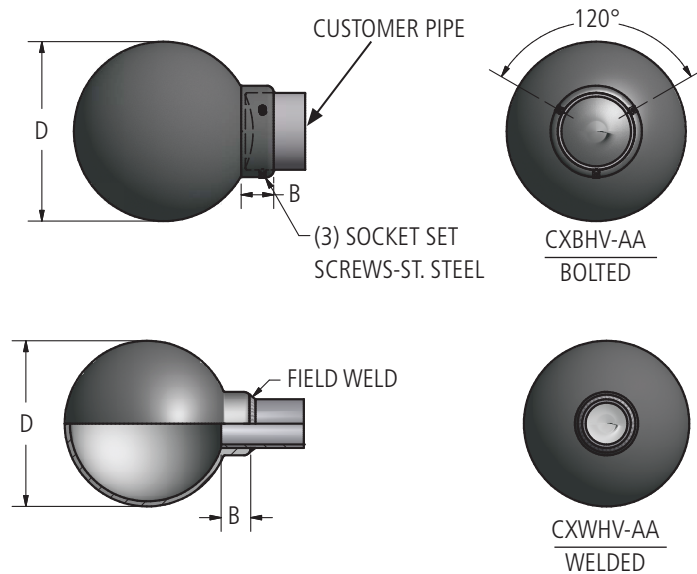
### Bolted Corona Ball



Bolted and welded corona bell is designed to be corona free for 345 kV and 500 kV service.

### Material

Aluminum Alloy



### Ordering Information

CATALOG NUMBER		SPS	DIMENSIONS IN INCHES	
BOLTED	WELDED		B	D
CXBHV250-AA	CXWHV250-AA	2 1/2	2 1/16	10
CXBHV300-AA	CXWHV300-AA	3	2 1/16	13
CXBHV350-AA	CXWHV350-AA	3 1/2	2 1/16	13
CXBHV400-AA	CXWHV400-AA	4	2 1/16	13
CXBHV500-AA	CXWHV500-AA	5	2 7/16	13
CXBHV600-AA	CXWHV600-AA	6	2 7/8	13
CXBHV800-AA	CXWHV800-AA	8	3 3/4	14
CXBHV800R-AA	CXWHV800R-AA	8 OD	3 5/16	13



## DOSSERT® TYPE BAP-V-AA

### Bolted Tee for Pipe

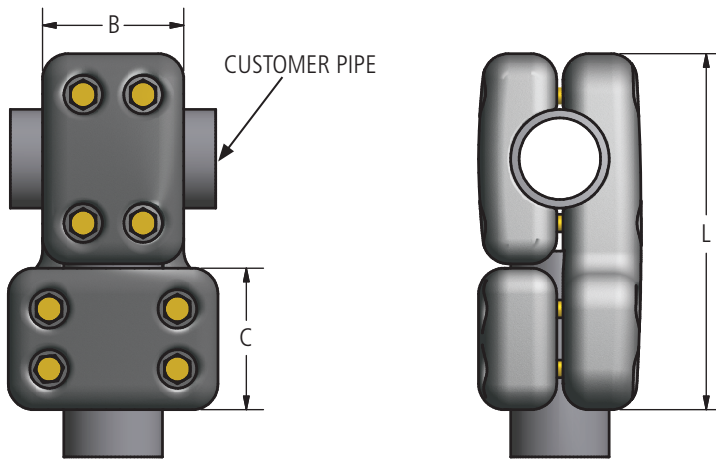
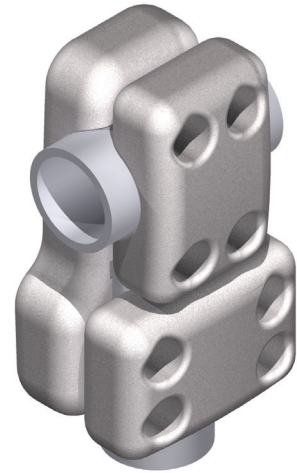
Bolted tee connector is designed to be corona free for 345 kV and 500 kV service.

#### Material

Aluminum Alloy

#### Hardware

Aluminum nuts, bolts, and lockwashers.



345/500 kV  
Tee Connectors

### Ordering Information

CATALOG NUMBER	SPS		DIMENSIONS IN INCHES			BOLT SIZE
	RUN	TAP	B	C	L	
BAP250-250-V-AA	2 1/2	2 1/2	4 1/8	4 1/8	10	1/2
BAP300-300-V-AA	3	3	5	5	12 1/2	5/8
BAP300-600-V-AA	3	6	5	6 1/4	13 13/16	5/8
BAP400-200-V-AA	4	2	4 1/8	4 1/2	11 5/8	1/2
BAP400-300-V-AA	4	3	6	5	13 7/8	5/8
BAP400-400-V-AA	4	4	6	6	21 1/2	5/8
BAP500-300-V-AA	5	3	5 3/4	5	15 1/2	5/8
BAP500-400-V-AA	5	4	5 3/4	6	15 5/8	5/8
BAP500-500-V-AA	5	5	7	7	17	5/8
BAP600-300-V-AA	6	3	6	5	15 3/4	5/8
BAP800R-400-V-AA	8 OD	4	6	5 1/4	15 5/8	5/8
BAP800-600-V-AA	8	6	7 1/2	7	17 3/4	5/8

## DOSSERT® TYPE PFTS-N-V-AA

### Bolted Pipe Tee to Four-Hole Pad

A clamp type tee connector for joining a bus to a tubular bus main. Special bearing surfaces insure maximum contact efficiency. Designed for 345 kV and 500 kV service.

#### Material

Aluminum Alloy

#### Hardware

Yellow anodized aluminum nuts, bolts, and lockwashers.

#### Notes

- For Terminal Pad Hardware Shield, add "-CSBV" to catalog number.  
EX: PFTS250-4N4-V-AA-CSBV
- For Grade Five Galvanized Steel Hardware, add "-GS5" to catalog number.  
EX: PFTS600-4N4-V-AA-GS5
- For Stainless Steel bolts, lockwashers and Everdur nuts, add "-SSHBN" to catalog number.  
EX: PFTS600-4N4-V-AA-SSHBN

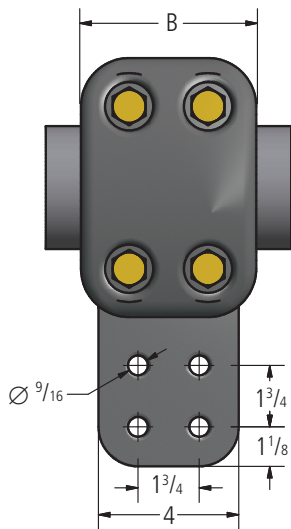


FIG. 1

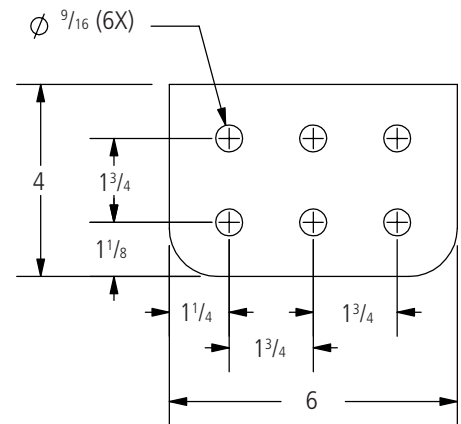
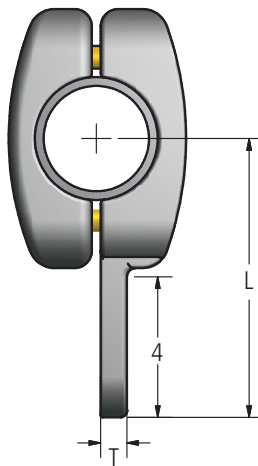


FIG. 2

## DOSSERT<sup>®</sup> TYPE PFTS-N-V-AA

### Bolted Pipe Tee to Four-Hole Pad

#### Ordering Information

CATALOG NUMBER	SPS	FIG. NO.	DIMENSIONS IN INCHES			BOLT SIZE
			B	L	T	
PFTS250-4N4-V-AA	2 1/2	1	4.13	7.31	0.75	1/2
PFTS300-4N4-V-AA	3	1	5.00	7.94	0.75	5/8
PFTS350-4N4-V-AA	3 1/2	1	4.88	8.00	0.88	5/8
PFTS400-4N4-V-AA	4	1	6.00	8.50	0.88	5/8
PFTS500-4N4-V-AA	5	1	5.75	9.31	1.00	5/8
PFTS500-6N4-V-AA	5	2	5.75	9.38	1.00	5/8
PFTS600-4N4-V-AA	6	1	5.00	9.44	1.00	5/8
PFTS600-6N4-V-AA	6	2	5.00	9.44	1.00	5/8

## DOSSERT® TYPE BPA-75-V-AA

### 75-Degree Bolted Tee

Bolted tee connector at 75° is designed to be corona free for 345 kV and 525 kV service.

#### Material

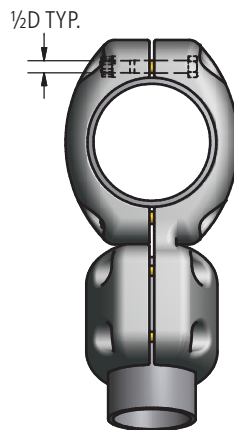
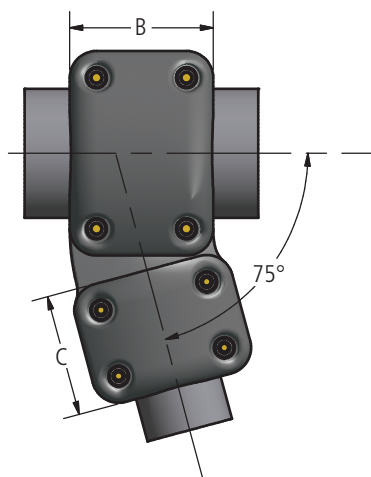
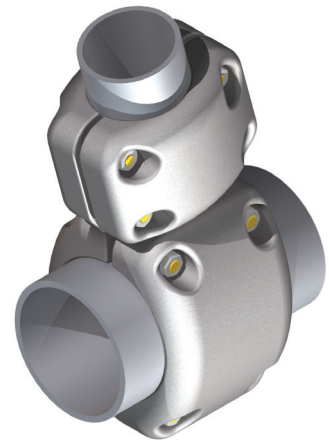
Aluminum Alloy

#### Hardware

Yellow anodized aluminum nuts, bolts, and lockwashers.

#### Notes

- For Stainless Steel bolt, lockwasher and Everdur nut, add "-SSHBN" to catalog number.  
EX: BPA200-200-75-V-AA-SSHBN



#### Ordering Information

CATALOG NUMBER	PIPE SIZE		DIMENSIONS IN INCHES	
	RUN	TAP	B	C
BPA200-200-75-V-AA	2	2	5	5
BPA250-125-75-V-AA	2 1/2	1 1/4	4 1/8	4 1/8
BPA250-250-75-V-AA	2 1/2	2 1/2	4 1/8	4 1/8
BPA300-300-75-V-AA	3	3	5	5
BPA400-200-75-V-AA	4	2	6	5
BPA400-400-75-V-AA	4	4	6	6
BPA500-300-75-V-AA	5	3	5 3/4	5
BPA500-400-75-V-AA	5	4	5 3/4	6
BPA600-300-75-V-AA	6	3	5	5
BPA600-350-75-V-AA	6	3 1/2	5	4 7/8
BPA800R-500-75-V-AA	8 OD	5	6	5 3/4
BPA800-300-75-V-AA	8	3	4 3/4	5

## DOSSERT®

### TYPE WT-AA, WTA-75-AA, WTA-80-AA

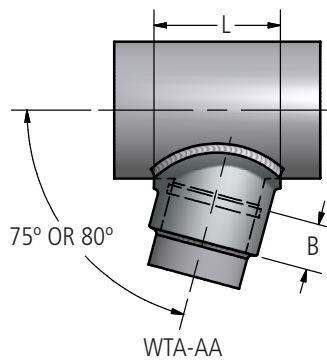
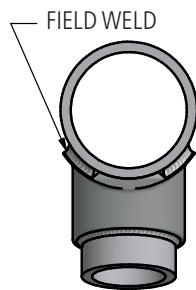
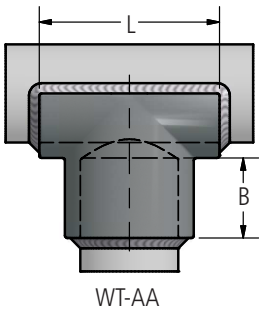
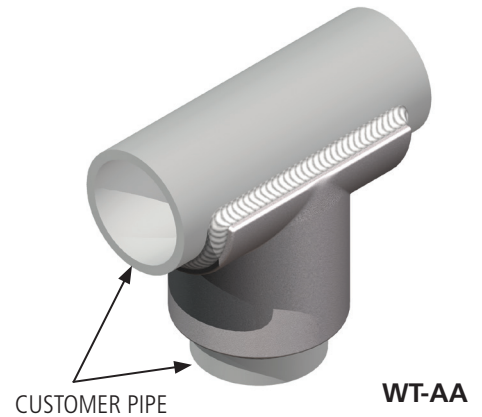
Welded Tee Rated for 500 kV

#### Material

Aluminum Alloy

#### Notes

1. For a welded tee at 75° for 1" to 1" pipe order: WTA100-100-75-AA
2. For a welded tee at 80° for 1" to 1" pipe order: WTA100-100-80-AA



#### Ordering Information

SPS		CATALOG NUMBER			DIMENSIONS IN INCHES	
RUN	TAP OR BRANCH	90 DEGREE	75 DEGREE	80 DEGREE	B	L
3/4	3/4	WT75-75-AA	WTA75-75-75-AA	WTA75-75-75-80-AA	3/4	2 1/8
1	3/4	WT100-75-AA	WTA100-75-75-AA	WTA100-75-80-AA	3/4	2 1/8
1	1	WT100-100-AA	WTA100-100-75-AA	WTA100-100-80-AA	3/4	2 1/4
1 1/4	3/4	WT125-75-AA	WTA125-75-75-AA	WTA125-75-80-AA	3/4	2 1/8
1 1/4	1	WT125-100-AA	WTA125-100-75-AA	WTA125-100-80-AA	3/4	2 1/4
1 1/4	1 1/4	WT125-125-AA	WTA125-125-75-AA	WTA125-125-80-AA	1	2 3/4
1 1/4	2 1/2	WT125-250-AA	WTA125-250-75-AA	WTA125-250-80-AA	1 1/2	3 1/2
1 1/2	3/4	WT150-75-AA	WTA150-75-75-AA	WTA150-75-80-AA	3/4	2 1/8
1 1/2	1	WT150-100-AA	WTA150-100-75-AA	WTA150-100-80-AA	3/4	2 1/4
1 1/2	1 1/4	WT150-125-AA	WTA150-125-75-AA	WTA150-125-80-AA	1	2 1/2
1 1/2	1 1/2	WT150-150-AA	WTA150-150-75-AA	WTA150-150-80-AA	1	3 1/8
1 1/2	2	WT150-200-AA	WTA150-200-75-AA	WTA150-200-80-AA	1 1/4	3 11/16
2	3/4	WT200-75-AA	WTA200-75-75AA	WTA200-75-80-AA	3/4	2 1/8
2	1	WT200-100-AA	WTA200-100-75-AA	WTA200-100-80-AA	7/8	2 1/4
2	1 1/4	WT200-125-AA	WTA200-125-75-AA	WTA200-125-80-AA	1 1/4	2 11/16
2	1 1/2	WT200-150-AA	WTA200-150-75-AA	WTA200-150-80-AA	1	2 3/4
2	2	WT200-200-AA	WTA200-200-75-AA	WTA200-200-80-AA	1 1/4	3 11/16
2	2 1/2	WT200-250-AA	WTA200-250-75-AA	WTA200-250-80-AA	1 1/2	4 1/8
2	3	WT200-300-AA	WTA200-300-75-AA	WTA200-300-80-AA	1 3/4	4 3/8



**DOSSERT®**

**TYPE WT-AA, WTA-75-AA, WTA-80-AA (cont.)**

**Welded Tee Rated for 500 kV**

**Ordering Information**

SPS		CATALOG NUMBER			DIMENSIONS IN INCHES	
RUN	TAP OR BRANCH	90 DEGREE	75 DEGREE	80 DEGREE	B	L
2	4	WT200-400-AA	WTA200-400-75-AA	WTA200-400-80-AA	2 1/4	5 1/2
2	5	WT200-500-AA	WTA200-500-75-AA	WTA200-500-80-AA	2 3/4	6 7/16
2	6	WT200-600-AA	WTA200-600-75-AA	WTA200-600-80-AA	3 1/4	8 1/4
2 1/2	3/4	WT250-75-AA	WTA250-75-75-AA	WTA250-75-80-AA	3/4	2 5/8
2 1/2	1	WT250-100-AA	WTA250-100-75-AA	WTA250-100-80-AA	3/4	2 1/8
2 1/2	1 1/4	WT250-125-AA	WTA250-125-75-AA	WTA250-125-80-AA	1	3 1/8
2 1/2	1 1/2	WT250-150-AA	WTA250-150-75-AA	WTA250-150-80-AA	1	3 1/8
2 1/2	2	WT250-200-AA	WTA250-200-75-AA	WTA250-200-80-AA	1 1/4	3 11/16
2 1/2	2 1/2	WT250-250-AA	WTA250-250-75-AA	WTA250-250-80-AA	1 1/2	3 3/4
3	3/4	WT300-75-AA	WTA300-75-75-AA	WTA300-75-80-AA	3/4	2 1/8
3	1	WT300-100-AA	WTA300-100-75-AA	WTA300-100-80-AA	3/4	2 1/8
3	1 1/4	WT300-125-AA	WTA300-125-75-AA	WTA300-125-80-AA	1	2 1/2
3	1 1/2	WT300-150-AA	WTA300-150-75-AA	WTA300-150-80-AA	1	2 3/4
3	2	WT300-200-AA	WTA300-200-75-AA	WTA300-200-80-AA	1 1/4	3 1/4
3	2 1/2	WT300-250-AA	WTA300-250-75-AA	WTA300-250-80-AA	1 1/2	3 3/4
3	3	WT300-300-AA	WTA300-300-75-AA	WTA300-300-80-AA	1 3/4	4 3/8
3	3 1/2	WT300-350-AA	WTA300-350-75-AA	WTA300-350-80-AA	2	4 7/8
3	4	WT300-400-AA	WTA300-400-75-AA	WTA300-400-80-AA	2 1/4	5 3/8
3	5	WT300-500-AA	WTA300-500-75-AA	WTA300-500-80-AA	2 3/4	6 7/16
3 1/2	3/4	WT350-75-AA	WTA350-75-75-AA	WTA350-75-80-AA	3/4	2 1/8
3 1/2	1	WT350-100-AA	WTA350-100-75-AA	WTA350-100-80-AA	3/4	2 1/4
3 1/2	1 1/4	WT350-125-AA	WTA350-125-75-AA	WTA350-125-80-AA	1	2 1/2
3 1/2	1 1/2	WT350-150-AA	WTA350-150-75-AA	WTA350-150-80-AA	1	2 3/4
3 1/2	2	WT350-200-AA	WTA350-200-75-AA	WTA350-200-80-AA	1 1/4	3 7/8
3 1/2	2 1/2	WT350-250-AA	WTA350-250-75-AA	WTA350-250-80-AA	1 1/2	3 3/4
3 1/2	3	WT350-300-AA	WTA350-300-75-AA	WTA350-300-80-AA	1 3/4	4 7/8
3 1/2	3 1/2	WT350-350-AA	WTA350-350-75-AA	WTA350-350-80-AA	2	5 3/8
4	3/4	WT400-75-AA	WTA400-75-75-AA	WTA400-75-80-AA	3/4	2 1/8
4	1	WT400-100-AA	WTA400-100-75-AA	WTA400-100-80-AA	7/8	3 1/8
4	1 1/4	WT400-125-AA	WTA400-125-75-AA	WTA400-125-80-AA	1	2 1/2
4	1 1/2	WT400-150-AA	WTA400-150-75-AA	WTA400-150-80-AA	1	3 1/8
4	2	WT400-200-AA	WTA400-200-75-AA	WTA400-200-80-AA	2	4 3/8
4	2 1/2	WT400-250-AA	WTA400-250-75-AA	WTA400-250-80-AA	1 1/2	4 1/4
4	3	WT400-300-AA	WTA400-300-75-AA	WTA400-300-80-AA	1 3/4	4 7/8
4	3 1/2	WT400-350-AA	WTA400-350-75-AA	WTA400-350-80-AA	2	5 1/2
4	4	WT400-400-AA	WTA400-400-75-AA	WTA400-400-80-AA	2 1/4	6 1/8

345/500 kV Tee Connectors



**DOSSERT®**

**TYPE WT-AA, WTA-75-AA, WTA-80-AA (cont.)**

**Welded Tee Rated for 500 kV**

**Ordering Information**

SPS		CATALOG NUMBER			DIMENSIONS IN INCHES	
RUN	TAP OR BRANCH	90 DEGREE	75 DEGREE	80 DEGREE	B	L
5	1	WT500-100-AA	WTA500-100-75-AA	WTA500-100-80-AA	3/4	2 1/4
5	1 1/4	WT500-125-AA	WTA500-125-75-AA	WTA500-125-80-AA	1	2 1/2
5	1 1/2	WT500-150-AA	WTA500-150-75-AA	WTA500-150-80-AA	1	2 3/4
5	2	WT500-200-AA	WTA500-200-75-AA	WTA500-200-80-AA	1 1/4	3 1/4
5	2 1/2	WT500-250-AA	WTA500-250-75-AA	WTA500-250-80-AA	1 1/2	3 3/4
5	3	WT500-300-AA	WTA500-300-75-AA	WTA500-300-80-AA	1 3/4	4 7/8
5	3 1/2	WT500-350-AA	WTA500-350-75-AA	WTA500-350-80-AA	2	5 13/16
5	4	WT500-400-AA	WTA500-400-75-AA	WTA500-400-80-AA	2 1/4	5 15/16
5	5	WT500-500-AA	WTA500-500-75-AA	WTA500-500-80-AA	2 3/4	7 1/16
6	1	WT600-100-AA	WTA600-100-75-AA	WTA600-100-80-AA	3/4	2 1/4
6	1 1/4	WT600-125-AA	WTA600-125-75-AA	WTA600-125-80-AA	1	2 1/2
6	1 1/2	WT600-150-AA	WTA600-150-75-AA	WTA600-150-80-AA	1	2 3/4
6	2	WT600-200-AA	WTA600-200-75-AA	WTA600-200-80-AA	1 1/4	3 1/4
6	2 1/2	WT600-250-AA	WTA600-250-75-AA	WTA600-250-80-AA	1 1/2	3 3/4
6	3	WT600-300-AA	WTA600-300-75-AA	WTA600-300-80-AA	1 3/4	4 11/16
6	3 1/2	WT600-350-AA	WTA600-350-75-AA	WTA600-350-80-AA	2	5 3/8
6	4	WT600-400-AA	WTA600-400-75-AA	WTA600-400-80-AA	2 1/4	5 15/16
6	5	WT600-500-AA	WTA600-500-75-AA	WTA600-500-80-AA	2 3/4	6 7/16
6	6	WT600-600-AA	WTA600-600-75-AA	WTA600-600-80-AA	2 3/4	8 1/4
8	6	WT800-600-AA	WTA800-600-75-AA	WTA800-600-80-AA	2 3/4	8 1/2
8	4	WT800R-400-AA	WTA800R-400-75-AA	WTA800R-400-80-AA	2 1/4	5 15/16
8	5	WT800R-500-AA	WTA800R-500-75-AA	WTA800R-500-80-AA	2 3/4	6 7/16
8	8" O.D.	WT800R-800R-AA	WTA800R-800R-75-AA	WTA800R-800R-80-AA	2 3/4	10

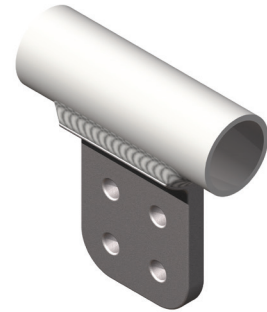
## DOSSERT® TYPE WTC-V-AA, WTF-V-AA

### Pipe Tap

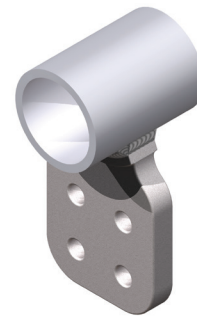
Tee taps are designed to be corona free for 345 kV and 500 kV operation when pad covers are used to shield terminal hardware.

### Material

Aluminum Alloy



WTC-V-AA



WTF-V-AA

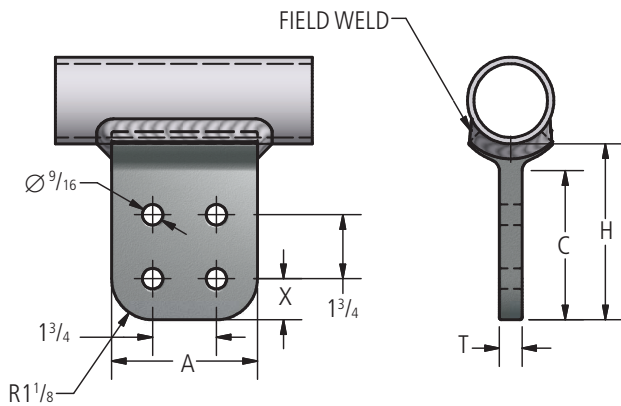


FIG. 1

WTC-V-AA

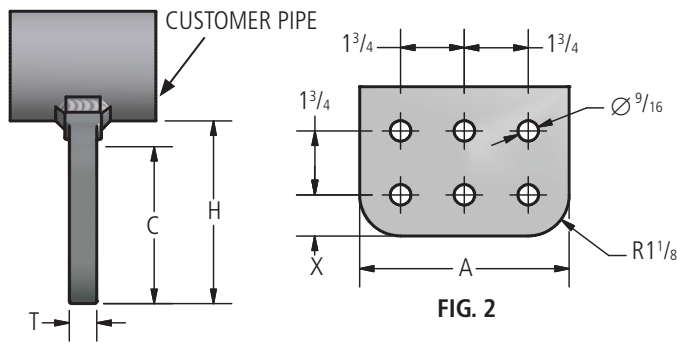


FIG. 2

WTF-V-AA

### Ordering Information

CATALOG NUMBER		SPS RANGE	FIG. NO.	DIMENSIONS IN INCHES				
IN-LINE	90 DEGREES			A	C	H	T	X
WTC250-4N-V-AA	WTF250-4N-V-AA	1 THRU 2 1/2	1	3	3 1/4	3 7/8	1/2	5/8
WTC250-4N4-V-AA	WTF250-4N4-V-AA	1 THRU 2 1/2	1	4	4 1/4	4 7/8	5/8	1 1/8
WTC600-4N-V-AA	WTF600-4N-V-AA	3 THRU 6	1	3	3 1/4	4	3/4	5/8
WTC600-4N4-V-AA	WTF600-4N4-V-AA	3 THRU 6	1	4	4 1/4	5	3/4	1 1/8
WTC600-6N4-V-AA	WTF600-6N4-V-AA	3 THRU 6	2	6	4 1/4	5	3/4	1 1/8
WTC800R-4N4-V-AA	WTF800R-4N4-V-AA	8" O.D.	1	4	4 1/4	5	3/4	1 1/8
WTC800-4N4-V-AA	WTF800-4N4-V-AA	8	1	4	4 1/4	5	3/4	1 1/8





# 345/500 kV Tee Connectors

## DOSSERT®

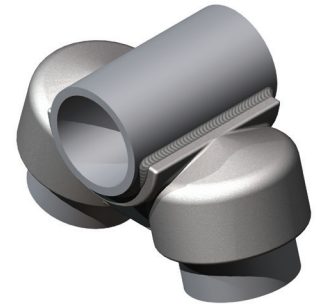
### TYPE WVBP-20-V-AA, WVBP-30-V-AA

#### Angle Welded Vee and Welded Tee Connector

Welded A-frame connectors are designed to be corona free for 345 kV and 500 kV service. Connectors are designed to be welded on outside of pipe allowing use on both schedule 40 and schedule 80 pipe. Socket design allows for slight inaccuracies in field cut length of pipe.

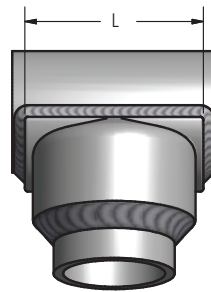
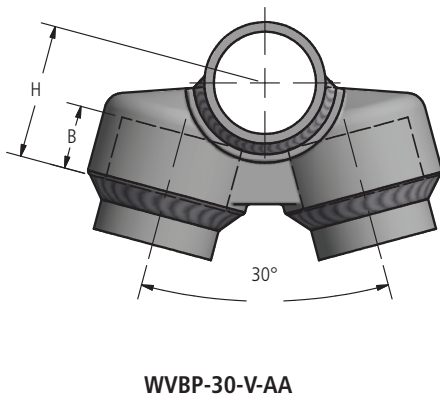
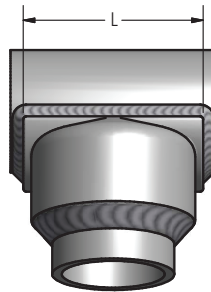
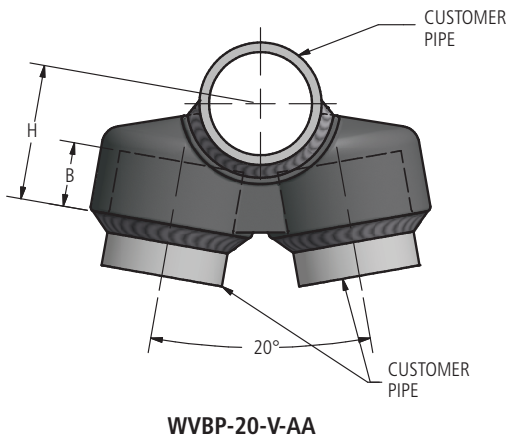
#### Material

Aluminum Alloy



WVBP-20-V-AA

345/500 kV Tee Connectors



## DOSSERT®

### TYPE WVBP-20-V-AA, WVBP-30-V-AA

#### Angle Welded Vee and Welded Tee Connector

#### Ordering Information

CATALOG NUMBER		SPS		DIMENSIONS IN INCHES		
20 DEGREE	30 DEGREE	RUN	TAP	B	H	L
WVBP300-125-20-V-AA	WVBP300-125-30-V-AA	3	1-1/4	1	2-15/16	2-5/8
WVBP300-150-20-V-AA	WVBP300-150-30-V-AA	3	1-1/2	1	2-15/16	2-7/8
WVBP300-200-20-V-AA	WVBP300-200-30-V-AA	3	2	1-1/4	3-3/16	3-1/2
WVBP300-250-20-V-AA	WVBP300-250-30-V-AA	3	2-1/2	1-1/2	3-7/16	4
WVBP300-300-20-V-AA	WVBP300-300-30-V-AA	3	3	1-3/4	3-11/16	4-5/8
WVBP350-100-20-V-AA	WVBP350-100-30-V-AA	3-1/2	1	3/4	2-5/8	2-1/4
WVBP350-150-20-V-AA	WVBP350-150-30-V-AA	3-1/2	1-1/2	1	3-1/4	2-7/8
WVBP350-200-20-V-AA	WVBP350-200-30-V-AA	3-1/2	2	1-1/4	3-1/2	3-1/2
WVBP350-250-20-V-AA	WVBP350-250-30-V-AA	3-1/2	2-1/2	1-1/2	3-3/4	4
WVBP350-300-20-V-AA	WVBP350-300-30-V-AA	3-1/2	3	1-3/4	4	4-5/8
WVBP350-350-20-V-AA	WVBP350-350-30-V-AA	3-1/2	3-1/2	2	4-1/4	5-1/8
WVBP400-150-20-V-AA	WVBP400-150-30-V-AA	4	1-1/2	1	3-1/2	2-7/8
WVBP400-200-20-V-AA	WVBP400-200-30-V-AA	4	2	1-3/4	3-3/4	4-1/8
WVBP400-250-20-V-AA	WVBP400-250-30-V-AA	4	2-1/2	1-1/2	4	4
WVBP400-300-20-V-AA	WVBP400-300-30-V-AA	4	3	1-3/4	4-1/4	4-5/8
WVBP400-350-20-V-AA	WVBP400-350-30-V-AA	4	3-1/2	2	4-1/2	5-1/8
WVBP400-400-20-V-AA	WVBP400-400-30-V-AA	4	4	2-1/4	6-5/16	6-7/16
WVBP500-150-20-V-AA	WVBP500-150-30-V-AA	5	1-1/2	1	4	2-7/8
WVBP500-200-20-V-AA	WVBP500-200-30-V-AA	5	2	1-1/4	4-13/16	3-7/8
WVBP500-250-20-V-AA	WVBP500-250-30-V-AA	5	2-1/2	1-1/2	4-1/2	4
WVBP500-300-20-V-AA	WVBP500-300-30-V-AA	5	3	1-3/4	4-3/4	4-5/8
WVBP500-350-20-V-AA	WVBP500-350-30-V-AA	5	3-1/2	2	5	5-1/8
WVBP500-400-20-V-AA	WVBP500-400-30-V-AA	5	4	2-1/4	5-1/4	6-1/4
WVBP500-500-20-V-AA	WVBP500-500-30-V-AA	5	5	2-3/4	5-3/4	6-15/16
WVBP600-200-20-V-AA	WVBP600-200-30-V-AA	6	2	1-1/4	4-13/16	3-1/2
WVBP600-250-20-V-AA	WVBP600-250-30-V-AA	6	2-1/2	1-1/2	5-1/16	4
WVBP600-300-20-V-AA	WVBP600-300-30-V-AA	6	3	1-3/4	5-5/16	4-5/8
WVBP600-350-20-V-AA	WVBP600-350-30-V-AA	6	3-1/2	2	5-9/16	5-1/8
WVBP600-400-20-V-AA	WVBP600-400-30-V-AA	6	4	2-1/4	5-13/16	5-7/8
WVBP600-500-20-V-AA	WVBP600-500-30-V-AA	6	5	2-3/4	6-5/16	6-15/16
WVBP600-600-20-V-AA	WVBP600-600-30-V-AA	6	6	3-1/4	6-13/16	8

## DOSSERT® TYPE BPC-V-AA

### Bolted Tee, Pipe to Cable

A clamp type tee connector for joining a cable to a tubular bus main. Designed to be corona free for 345 kV and 500 kV service. Special bearing surfaces insure maximum contact efficiency.

#### Material

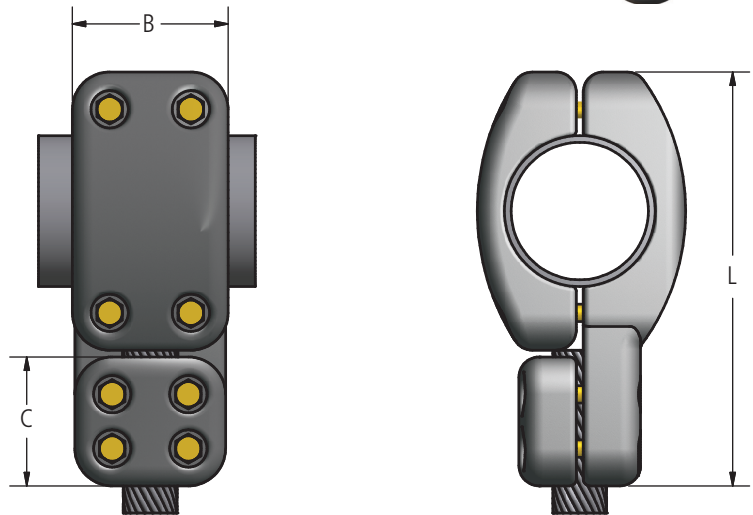
Aluminum Alloy

#### Hardware

Yellow anodized aluminum nuts, bolts and lockwashers.

#### Notes

- For stainless steel bolts, lockwashers and Everdur nuts, add "-SSHBN" to catalog number.  
EX: BPC600-127-V-AA-SSHBN
- For grade five galvanized steel hardware, add "-GS5" to catalog number. EX: BPC600-127-V-AA-GS5



### Ordering Information

CATALOG NUMBER	SPS	CABLE RANGE			DIMENSIONS IN INCHES			BOLT SIZE
		ALUMINUM		ACSR	B	C	L	
		MIN	MAX					
BPC250-79-V-AA	2 1/2	750 MCM	795 MCM	636 (18/1;24/7;26/7)	4 1/2	4 1/2	10 3/8	1/2
BPC250-95-V-AA	2 1/2	800 MCM	954 MCM	495 (47/7;24/7;26/7)	4 1/2	4 1/2	10 3/8	1/2
BPC250-127-V-AA	2 1/2	1113 MCM	1272 MCM	1113 (45/7)(54/19)	4 1/8	4 1/2	10 3/4	1/2
BPC300-95-V-AA	3	800 MCM	954 MCM	495 (47/7;24/7;26/7)	4 3/4	4 1/2	12	5/8
BPC300-160-V-AA	3	1500 MCM	1600 MCM	1431 (45/7;54/19) 1351.5 (54/19)	4 3/4	4 3/4	12	5/8
BPC350-127-V-AA	3 1/2	1113 MCM	1272 MCM	1113 (45/7)(54/19)	4 3/4	4 1/2	13	1/2
BPC350-160-V-AA	3 1/2	1500 MCM	1600 MCM	1431 (45/7;54/19) 1351.5 (54/19)	5	4 3/4	12 31/32	1/2
BPC400-127-V-AA	4	1113 MCM	1272 MCM	1113 (45/7)(54/19)	6	4 1/2	13 1/8	5/8
BPC400-180-V-AA	4	1700 MCM	1800 MCM	1590 (45/7)(54/19)	6	4 3/4	13 3/8	5/8
BPC450-200-V-AA	4.5	1900 MCM	2000 MCM	1780 (84/19) 1843.2 MCM	5	4 3/4	13 3/4	5/8
BPC500-180-V-AA	5	1700 MCM	1800 MCM	1590 (45/7)(54/19)	5 3/4	4 3/4	14 7/16	5/8
BPC500-250-V-AA	5	2400 MCM	2500 MCM	2156 (84/19)	5 3/4	4 3/4	14 7/16	5/8
BPC500-300-V-AA	5	2750 MCM	3000 MCM	2515 (76/19)	5 3/4	4 3/4	14 7/16	5/8
BPC500-350-V-AA	5	3250 MCM	3500 MCM	3015 (54/19)	5 3/4	4 3/4	14 7/16	5/8
BPC600-127-V-AA	6	1113 MCM	1272 MCM	1113 (45/7)(54/19)	5	4 1/2	14 7/8	5/8
BPC600-160-V-AA	6	1500 MCM	1600 MCM	1431 (45/7;54/19) 1351.5 (54/19)	5	4 3/4	15 3/8	5/8
BPC600-200-V-AA	6	1900 MCM	2000 MCM	1780 (84/19) & 1843.2 MCM	5	4 3/4	15 5/16	5/8
BPC600-300-V-AA	6	2750 MCM	3000 MCM	2515(76/19)	5	4 3/4	15 5/16	5/8

## DOSSERT® TYPE CFT-N-V-AA

### Cable to Flat Tee Connector

Bolted tap is designed to be corona free for 345 kV and 500 kV operation when pad covers are used to shield terminal hardware.

#### Material

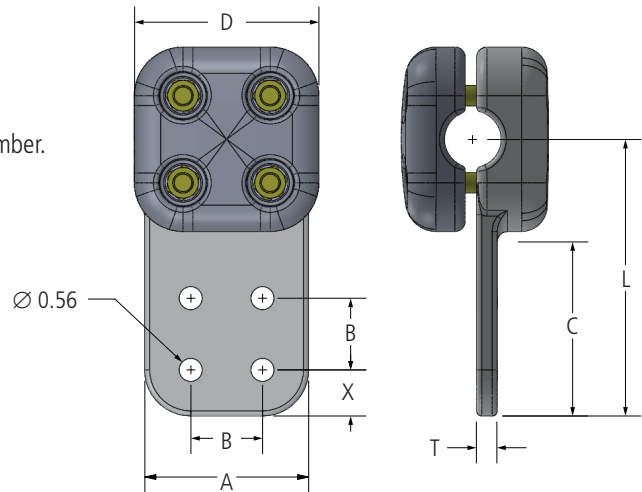
Aluminum Alloy

#### Hardware

Aluminum nuts, bolts and lockwashers.

#### Notes

- For Finished Surface on both sides of Pad, add "F" to catalog number.  
EX: CFT79-4N4F-V-AA
- For Grade Five Galvanized Steel Hardware, add "-GS5" to catalog number.  
EX: CFT79-4N4-V-AA-GS5
- For Hardware Shield, add "-CSBV" to catalog number.  
EX: CFT79-4N4-V-AA-CSBV



### Ordering Information

CATALOG NO.	CABLE RANGE				DIMENSIONS IN INCHES						
	MIN	MAX	ACSR	DIAMETER	A	B	C	D	L	T	X
CFT79-4N4-V-AA	750 MCM	795 MCM	636 (18/1;24/7;26/7)	0.940 - 1.026	4.00	1.75	4.00	4.50	6.38	0.50	1.13
CFT95-4N4-V-AA	800 MCM	954 MCM	795 (47/7;24/7;26/7)	1.032 - 1.140	4.00	1.75	4.00	4.50	6.50	0.50	1.13
CFT103-4N-V-AA	1000 MCM	1033.5 MCM	954 (45/7) (54/7)	1.151 - 1.196	3.00	1.75	3.00	4.50	5.63	0.50	0.63
CFT103-4N4-V-AA	1000 MCM	1033.5 MCM	954 (45/7) (54/7)	1.151 - 1.196	4.00	1.75	4.00	4.50	6.63	0.50	1.13
CFT127-4N4-V-AA	1113 MCM	1272 MCM	1033.5 (54/7), 1113 (45/7) (54/19)	1.216 - 1.300	4.00	1.75	4.00	4.50	6.75	0.50	1.13
CFT140-4N4-V-AA	1300 MCM	1400 MCM	1272 (45/7) (54/19)	1.315 - 1.382	4.00	1.75	4.00	4.50	6.75	0.50	1.13
CFT160-4N4-V-AA	1500 MCM	1600 MCM	1431 (45/7) (54/19)	1.413 - 1.464	4.00	1.75	4.00	4.75	6.75	0.50	1.13
CFT180-4N4-V-AA	1700 MCM	1800 MCM	1590 (45/7) (54/19)	1.504 - 1.545	4.00	1.75	4.00	4.75	6.75	0.69	1.13
CFT180-4S4-V-AA	1700 MCM	1800 MCM	1590 (45/7) (54/19)	1.504 - 1.545	4.00	2.00	4.00	4.75	6.75	0.69	1.00
CFT200-4N-V-AA	1900 MCM	2000 MCM	1780 (84/19)	1.631	3.00	1.75	3.00	4.75	5.88	0.75	0.63
CFT200-4N4-V-AA	1900 MCM	2000 MCM	1780 (84/19)	1.631	4.00	1.75	4.00	4.75	6.88	0.75	1.13
CFT216A-4N4-V-AA	—	—	2156	1.762	4.00	1.75	4.00	4.75	5.75	0.75	1.13
CFT250-4N4-V-AA	2400 MCM	2500 MCM	2156 (84/19)	1.762 - 1.823	4.00	1.75	4.00	4.75	7.00	0.75	1.13
CFT300-4N4-V-AA	2750 MCM	3000 MCM	2515 (76/19)	1.912 - 1.880	4.00	1.75	4.00	4.75	7.00	1.00	1.13
CFT350-4N4-V-AA	—	3500 MCM	—	2.158	4.00	1.75	4.00	4.75	7.25	1.00	1.13

## DOSSERT®

### TYPE VBP-30-V-AA

30 Degree Bolted Tee Rated for 500 kV

#### Material

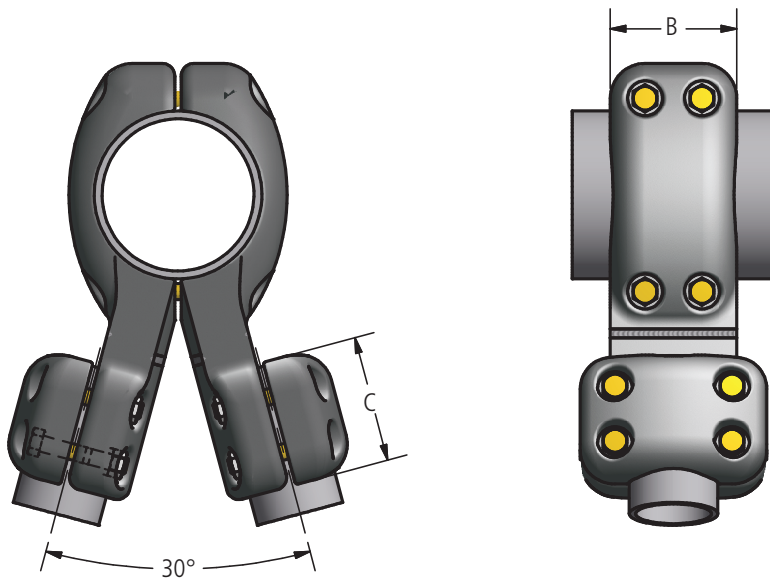
Aluminum

#### Hardware

Aluminum nuts, bolts and lockwashers.

#### Notes

- For Stainless Steel Hardware add "-SS" to catalog number. EX: VBP250-125-V-AA-SS
- For Stainless Steel bolts, lockwashers and Everdur nuts add "-SSHBN" to catalog number. EX: VBP250-125-V-AA-SSHBN
- For Grade Five Galvanized Steel Hardware add "-GS5" to catalog number. EX: VBP250-125-V-AA-GS5



#### Ordering Information

CATALOG NUMBER	SPS		DIMENSIONS IN INCHES		BOLT SIZE
	RUN	TAP	B	C	
VBP250-125-30-V-AA	2 1/2	1 1/4	4 1/8	4 1/8	1/2
VBP250-250-30-V-AA	2 1/2	2 1/2	4 1/8	4 1/8	1/2
VBP400-200-30-V-AA	4	2	6	5	5/8
VBP400-250-30-V-AA	4	2 1/2	6	4 1/8	5/8
VBP400-300-30-V-AA	4	3	6	6	5/8
VBP400-400-30-V-AA	4	4	6	6	5/8
VBP500-300-30-V-AA	5	3	5 3/4	5	5/8
VBP500-400-30-V-AA	5	4	4	6	5/8
VBP600-300-30-V-AA	6	3	5	6	5/8
VBP600-400-30-V-AA	6	4	5	6	5/8

## DOSSERT®

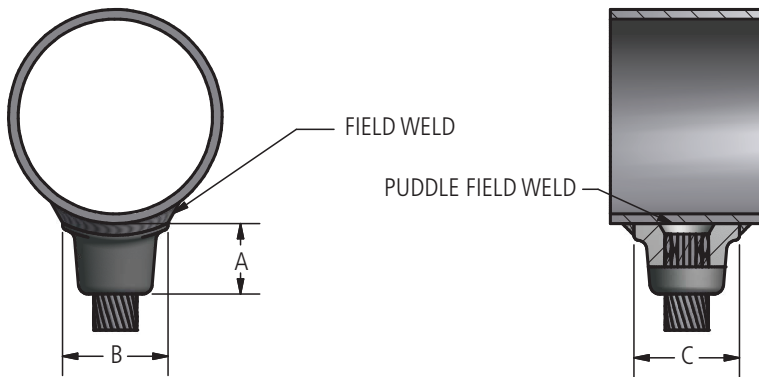
### TYPE 1000-EHV

#### Welded Tee Pipe to Cable

Te adapter is designed to be corona free for 345 kV and 500 kV service. Connector is saddle type which allows clamping to bus run during welding. Cable is "puddle" welded to connector; connector is then welded to bus tube. Not recommended for use on ACSR.

#### Material

Aluminum Alloy



#### Ordering Information

TABLE 1				
CATALOG SERIES	DIMENSIONS IN INCHES			NOMINAL WEIGHT LBS
	A	B	L	
1006	1.50	1.62	2.81	0.28
1008	1.75	1.88	3.12	0.38
1009	2.00	2.25	3.50	0.62
1010	2.00	2.25	3.50	0.62
1012	2.75	2.50	3.88	0.75
1013	2.75	2.88	4.25	1.1
1014	2.75	2.88	4.25	1.1

**DOSSERT®**

**TYPE 1000-EHV**

**Welded Tee Pipe to Cable**

**Ordering Information**

345/500 kV – Tee Connectors

TABLE 2						
STANDARD CONDUCTOR DIAMETER RANGE	AAC CONDUCTOR RANGE	CATALOG NUMBER				
		RUN CONDUCTOR (SPS & EHPS)				
IN.	MIN	3	3 1/2	4	5	6
1.048 - 1.110	900 KCMIL	1006.112 EHV	1006.112 EHV	1006.112 EHV	1006.112 EHV	1006.112 EHV
1.111 - 1.173	954 KCMIL	1008.119 EHV	1008.119 EHV	1008.119 EHV	1008.119 EHV	1008.119 EHV
1.174 - 1.235	1113 KCMIL - 1192.5 KCMIL	1008.125 EHV	1008.125 EHV	1008.125 EHV	1008.125 EHV	1008.125 EHV
1.236 - 1.297	1192.5 KCMIL	1008.131 EHV	1008.131 EHV	1008.131 EHV	1008.131 EHV	1008.131 EHV
1.298 - 1.360	1272 KCMIL - 1351.5 KCMIL	1009.138 EHV	1010.138 EHV	1010.138 EHV	1010.138 EHV	1010.138 EHV
1.361 - 1.423	1431 KCMIL - 1510.5 KCMIL	1009.144 EHV	1010.144 EHV	1010.144 EHV	1010.144 EHV	1010.144 EHV
1.424 - 1.485	1590 KCMIL	1009.150 EHV	1010.150 EHV	1010.150 EHV	1010.150 EHV	1010.150 EHV
1.486 - 1.542	1750 KCMIL	1009.156 EHV	1010.156 EHV	1010.156 EHV	1010.156 EHV	1010.156 EHV
1.543 - 1.605	-	1012.162 EHV	1012.162 EHV	1012.162 EHV	1012.162 EHV	1012.162 EHV
1.606 - 1.668	2000 KCMIL	1012.169 EHV	1012.169 EHV	1012.169 EHV	1012.169 EHV	1012.169 EHV
1.669 - 1.730	2250 KCMIL	1012.175 EHV	1012.175 EHV	1012.175 EHV	1012.175 EHV	1012.175 EHV
1.731 - 1.792	-	1012.181 EHV	1012.181 EHV	1012.181 EHV	1012.181 EHV	1012.181 EHV
1.793 - 1.855	2500 KCMIL	1012.188 EHV	1012.188 EHV	1012.188 EHV	1012.188 EHV	1012.188 EHV
1.856 - 1.918	2750 KCMIL	1013.194 EHV	1014.194 EHV	1014.194 EHV	1014.194 EHV	1014.194 EHV
1.919 - 1.980	-	1013.200 EHV	1014.200 EHV	1014.200 EHV	1014.200 EHV	1014.200 EHV
1.981 - 2.042	3000 KCMIL	1013.206 EHV	1014.206 EHV	1014.206 EHV	1014.206 EHV	1014.206 EHV
2.043 - 2.105	-	1013.212 EHV	1014.212 EHV	1014.212 EHV	1014.212 EHV	1014.212 EHV

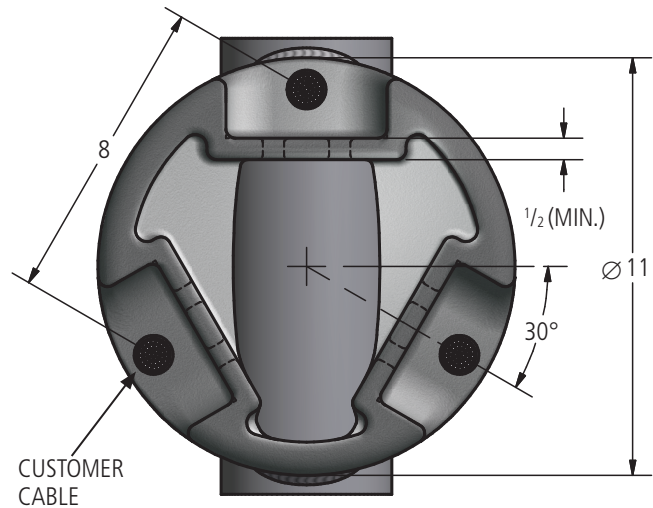
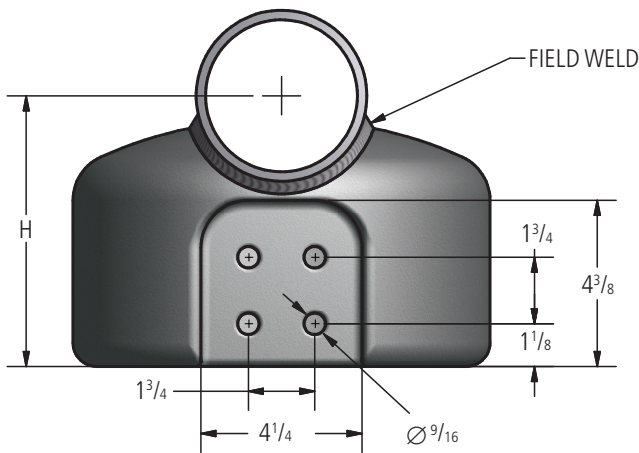
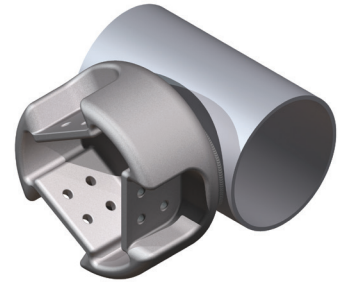
## DOSSERT® TYPE WT3C-8-V-AA

### Welded Tee Pipe to Three NEMA Pad

Welded tee pipe with three NEMA pads is designed to be corona free for 345 kV and 500 kV service.

#### Material

Aluminum Alloy



### Ordering Information

CATALOG NUMBER	SPS	H IN INCHES
WT3C400-8-V-AA	4	7 1/8
WT3C500-8-V-AA	5	7 21/32
WT3C600-8-V-AA	6	8 11/16
WT3C800-8-V-AA	8	9 15/16
WT3C800R-8-V-AA	8 O.D.	9 5/8

345/500 kV  
Tee Connectors



## DOSSERT® TYPE 3500-EHV

### Tee Adapter

Bolted-compression tee adapters are designed to have better corona characteristics than the conductors on which it is installed. Designed to be corona free for 345 kV and 500 kV service. Contact surfaces are protected with oxide inhibitor.

### Material

Aluminum Alloy

### Mounting Hardware

Galvanized steel bolts and lockwashers.

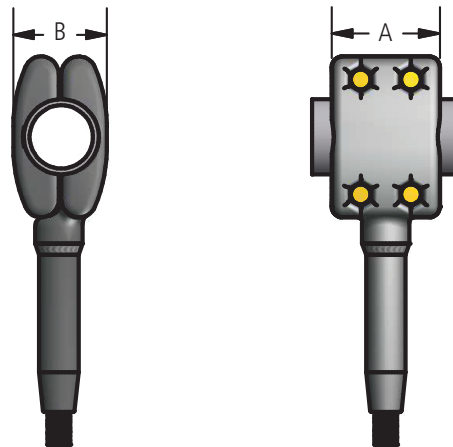
### Hardware

Yellow anodized aluminum bolts, nuts, and lockwashers.

### Notes

Connector is ordered by combining partial catalog number for pipe run (Table 1) with partial catalog number for stranded branch (Table 2).

Example: 6" SPS run to 1590 KCM (1.454") tap. Order by Cat. No. "3513.3-38.156EHV"



### Ordering Information

TABLE 1						
PARTIAL CATALOG NUMBER	RUN CONDUCTOR SIZE SPS & EHPS	BRANCH CONDUCTOR DIAMETER RANGE ACSR OR STR. ALUM.	DIMENSIONS IN INCHES		NO. OF BOLTS	PARTIAL WEIGHT RUN
			A	B		
3508.1	3	1.026 - 1.196	5.12	4.56	4	7.2
3508.2	3	1.212 - 1.417	5.12	4.56	4	7.4
3508.3	3	1.424 - 1.545	5.12	4.56	4	7.5
3509.1	3 1/2	1.026 - 1.196	5.12	5.12	4	11.1
3509.2	3 1/2	1.212 - 1.417	5.12	5.12	4	11.3
3509.3	3 1/2	1.424 - 1.545	5.12	5.12	4	11.4
3510.1	4	1.026 - 1.196	5.12	5.62	4	15.0
3510.2	4	1.212 - 1.417	5.12	5.62	4	15.2
3510.3	4	1.424 - 1.545	5.12	5.62	4	15.3
3512.2	5	1.212 - 1.417	11.80	6.62	6	18.8
3512.3	5	1.424 - 1.545	11.80	6.62	6	19.0
3512.4	5	1.602 - 1.823	11.80	6.62	6	19.1
3513.2	6	1.212 - 1.417	11.80	7.69	6	20.0
3513.3	6	1.424 - 1.545	11.80	7.69	6	20.2
3513.4	6	1.602 - 1.823	11.80	7.69	6	20.3

## DOSSERT® TYPE 3500-EHV

### Tee Adapter

### Ordering Information

TABLE 2						
PARTIAL CATALOG NUMBER	CONDUCTOR			DIE SIZE	PARTIAL WEIGHT RUN	
	KCMIL	STRAND				
		AL	ST			
-30.109 EHV	795.0	37 & 61	-	1.026	30 AH	1.7
-30.116 EHV	795.0	26	7	1.108	30 AH	1.6
-30.122 EHV	954.0	37 & 61	-	1.124	30 AH	1.6
-30.122 EHV	954.0	45	7	1.165	30 AH	1.5
-30.125 EHV	954.0	54	7	1.196	30 AH	1.5
-34.128 EHV	1033.5	45	7	1.212	34 AH	2.3
-34.128 EHV	1113.0	61	-	1.216	34 AH	2.3
-34.128 EHV	1195.5	45	7	1.302	34 AH	2.1
-36.144 EHV	1272.0	45	7	1.345	36 AH	2.6
-36.147 EHV	1351.5	45	7	1.385	36 AH	2.4
-38.156 EHV	1590.0	61 & 91	-	1.454	38 AH	2.9
-40.162 EHV	1590.0	45	7	1.504	40 AH	3.4
-42.178 EHV	1780.0	84	19	1.602	42 AH	3.9
-44.184 EHV	2156.0	84	19	1.7625	44 AH	3.6
-44.188 EHV	2500.0	91	-	1.823	44 AH	3.4

345/500 kV  
Tee Connectors

## DOSSERT®

### TYPE BC-V-AA

#### Tee Connector

Tee connector is designed to be corona free for 500 kV service.

#### Material

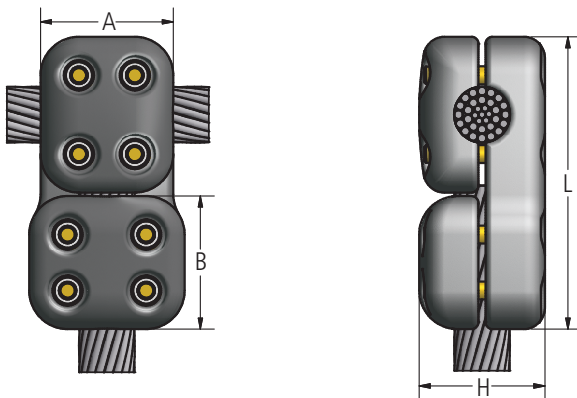
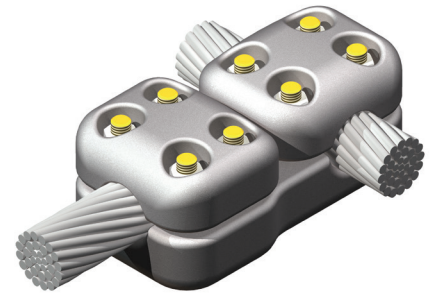
Aluminum Alloy

#### Hardware

Yellow anodized aluminum nuts, bolts, and lockwashers.

#### Notes

- For Stainless Steel bolts, lockwashers and Everdur nuts, add "-SSHBN" to catalog number.  
EX: BC103-127-AA-SSHBN
- For Grade Five Galvanized Steel hardware, add "-GS5" to catalog number.  
EX: BC140-140-V-AA-GS5



#### Ordering Information

CATALOG NUMBER	CABLE RANGE						DIMENSIONS IN INCHES			
	RUN			TAP			A	B	H	L
	ALUMINUM		ACSR	ALUMINUM		ACSR				
	MIN	MAX		MIN	MAX					
BC79-79-V-AA	750 MCM	795 MCM	636 (18/1;24/7;26/7)	750 MCM	795 MCM	636 (18/1;24/7;26/7)	4.50	4.50	3.38	8.75
BC95-95-V-AA	800 MCM	954 MCM	795 (47/7;24/7;26/7)	800 MCM	954 MCM	795 (47/7;24/7;26/7)	4.00	4.00	3.69	8.00
BC95A-95A-V-AA	-	954 MCM	954 (45/7;54/7)	-	954 MCM	954 (45/7;54/7)	4.50	4.50	3.69	9.13
BC103-103-V-AA	1000 MCM	1033.5 MCM	954 (45/7;54/7)	1000 MCM	1033.5 MCM	954 (45/7;54/7)	4.00	4.00	3.88	8.13
BC103-127-V-AA	1000 MCM	1033.5 MCM	954 (45/7;54/7)	1113 MCM	1272 MCM	1113 (45/7;54/7)	4.50	4.50	3.63	9.00
BC103-250-V-AA	1000 MCM	1033.5 MCM	954 (45/7;54/7)	-	2500 MCM	2156 (84/19)	4.50	4.50	4.00	9.00
BC127-79-V-AA	1113 MCM	1272 MCM	1113 (45/7;54/7)	750 MCM	795 MCM	636 (18/1;24/7;26/7)	4.50	4.50	3.63	9.06
BC127-95-V-AA	1113 MCM	1272 MCM	1113 (45/7;54/7)	800 MCM	954 MCM	795 (47/7;24/7;26/7)	4.00	4.50	3.63	9.06
BC127-127-V-AA	1113 MCM	1272 MCM	1113 (45/7;54/7)	1113 MCM	1272 MCM	1113 (45/7;54/7)	4.50	4.50	3.63	9.13
BC140-140-V-AA	1300 MCM	1400 MCM	1272 (45/7;54/19) 1351.5 (45/7)	1300 MCM	1400 MCM	1272 (45/7;54/19) 1351.5 (45/7)	4.50	4.50	3.50	9.13



**DOSSERT®**

**TYPE BC-V-AA**

**Tee Connector**

**Ordering Information**

CATALOG NUMBER	CABLE RANGE						DIMENSIONS IN INCHES			
	RUN			TAP			A	B	H	L
	ALUMINUM		ACSR	ALUMINUM		ACSR				
	MIN	MAX		MIN	MAX					
BC140-200-V-AA	1300 MCM	1400 MCM	1272 (45/7;54/19) 1351.5 (45/7)	1900 MCM	2000 MCM	1780 (84/19)	4.50	4.50	3.63	9.13
BC160-160-V-AA	1500 MCM	1600 MCM	1431 (45/7;54/19) 1351.5 (54/19)	1500 MCM	1600 MCM	1431 (45/7;54/19) 1351.5 (54/19)	4.75	4.75	4.03	9.75
BC180-180-V-AA	1700 MCM	1800 MCM	1590 (45/7;54/19)	1700 MCM	1800 MCM	1590 (45/7;54/19)	4.75	4.75	4.00	9.88
BC200-200-V-AA	1900 MCM	2000 MCM	1780 (84/19)	1900 MCM	2000 MCM	1780 (84/19)	5.13	4.75	4.00	10.00
BC205-95-V-AA	2000 MCM	2049 MCM	1780 (84/19) 2034 (72/7)	800 MCM	954 MCM	795 (47/7;24/7;26/7)	4.75	4.50	4.00	8.00
BC205-160-V-AA	2000 MCM	2049 MCM	1780 (84/19) 2034 (72/7)	1500 MCM	1600 MCM	1431 (45/7;54/19) 1351.5 (54/19)	4.75	4.75	4.00	9.63
BC205-205-V-AA	2000 MCM	2049 MCM	1780 (84/19) 2034 (72/7)	2000 MCM	2049 MCM	1780 (84/19) 2034 (72/7)	5.00	5.00	4.00	10.25
BC250-103-V-AA	–	2500 MCM	2156 (84/19)	1000 MCM	1033.5 MCM	954 (45/7;54/7)	4.50	4.50	3.81	9.63
BC250-160-V-AA	–	2500 MCM	2156 (84/19)	1500 MCM	1600 MCM	1431 (45/7;54/19) 1351.5 (54/19)	4.50	4.50	3.81	9.63
BC250-250-V-AA	–	2500 MCM	2156 (84/19)	–	2500 MCM	2156 (84/19)	4.50	4.50	3.81	9.63
BC250-350-V-AA	–	2500 MCM	2156 (84/19)	–	3500 MCM	–	4.50	4.50	4.25	9.63
BC300-160-V-AA	2750 MCM	3000 MCM	2515 (76/19)	1500 MCM	1600 MCM	1431 (45/7;54/19) 1351.5 (54/19)	4.75	4.75	4.50	10.44
BC300-300-V-AA	2750 MCM	3000 MCM	2515 (76/19)	2750 MCM	3000 MCM	2515 (76/19)	4.75	4.75	4.75	9.88
BC350-127-V-AA	–	3500 MCM	-	1113 MCM	1272 MCM	1113 (45/7; 54/7)	5.50	4.50	4.50	10.38
BC350-200-V-AA	–	3500 MCM	–	1900 MCM	2000 MCM	1780 (84/19)	5.50	4.75	4.50	10.63
BC350-350-V-AA	–	3500 MCM	–	–	3500 MCM	–	5.50	5.50	4.50	11.50

345/500 kV Tee Connectors

## DOSSERT®

### TYPE 34900-EHV

#### Welded Straight Adapter

Bi-conductor and tri-conductor adapter is designed to be corona free for 345 kV and 500 kV service. Conductor adapters are furnished as complete assembly consisting of the conductor adapter, 90° EHV compression terminals and necessary aluminum hardware. Weights shown do not include compression terminals.

#### Material

Aluminum Alloy

#### Mounting Hardware

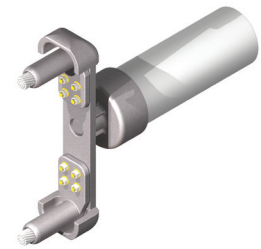
Galvanized steel bolts and lockwashers.

#### Hardware

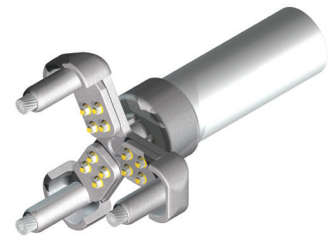
Yellow anodized aluminum bolts, nuts, and lockwashers.

#### Notes

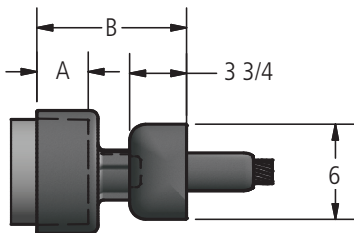
For conductor adapters without terminals, do not include Die Size or Bore Code in part number. Example: for a tri-conductor adapter to 6" SPS, order 34913EHV.



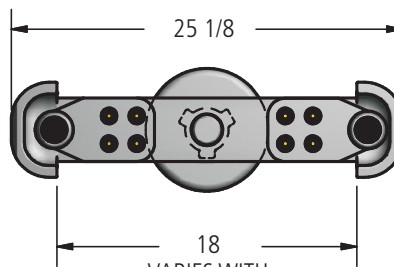
34928-EHV



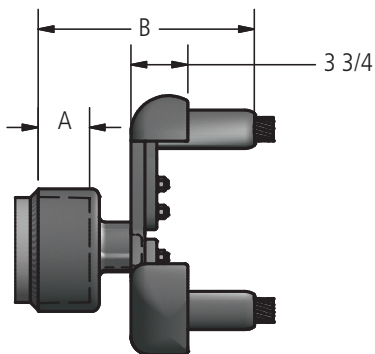
34908-EHV



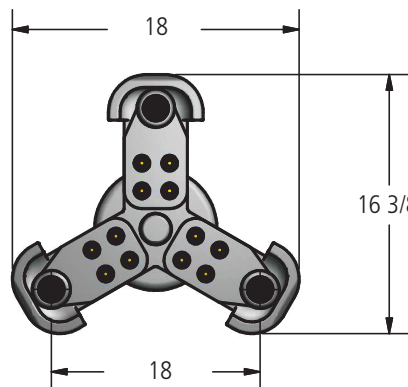
BI-CONDUCTOR



18  
VARIES WITH  
CONDUCTOR SIZE



TRI-CONDUCTOR



18  
VARIES WITH  
CONDUCTOR SIZE



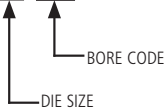
**DOSSERT®**

**TYPE 34900-EHV  
Welded Straight Adapter**

**Ordering Information**

SPS & EHPS	CATALOG NUMBER		DIMENSIONS IN INCHES		NOMINAL WEIGHT IN LBS	
	BI-CONDUCTOR	TRI-CONDUCTOR	A	B	BI-CONDUCTOR	TRI-CONDUCTOR
3	34928EHV.XX.YYY	34908EHV.XX.YYY	1.75	7.97	13.6	15.3
3 1/2	34929EHV.XX.YYY	34909EHV.XX.YYY	2.00	8.22	14.1	15.8
4	34930EHV.XX.YYY	34910EHV.XX.YYY	2.25	8.47	14.7	16.4
5	34932EHV.XX.YYY	34912EHV.XX.YYY	2.75	8.97	16.0	17.7
6	34933EHV.XX.YYY	34913EHV.XX.YYY	3.25	9.47	17.6	19.3

34933 EHV.XX.YYY



CODE	CONDUCTOR				DIE SIZE ALUMINUM HEX DIE
	ACSR OR AAC	SIZE KCMIL	STRANDING AL/ST	DIAMETER IN INCHES	
30.109	ACSR	715.5	24/7	1.036	30AH
	ACSR	715.5	26/7	1.051	
	ACSR	795	36/1	1.040	
	AAC	795	37	1.026	
	AAC	795	61	1.028	
	AAC	800	37	1.031	
	AAC	800	61	1.031	
30.116	ACSR	715.5	30/19	1.081	30AH
	ACSR	795	45/7	1.063	
	ACSR	795	54/7	1.093	
	ACSR	795	26/7	1.108	
	ACSR	795	24/7	1.092	
	AAC	900	61	1.094	
30.122	ACSR	795	30/19	1.140	30AH
	ACSR	900	45/7	1.131	
	ACSR	900	54/7	1.162	
	ACSR	954	36/1	1.140	
	ACSR	954	45/7	1.165	
	AAC	954	37	1.124	
	AAC	954	61	1.126	
	AAC	1000	61	1.152	
	AAC	1033.5	37	1.170	
	AAC	1033.5	61	1.172	
30.125	ACSR	954	54/7	1.196	30AH
	ACSR	1033.5	36/1	1.186	

345/500 kV – Tee Connectors



**DOSSERT®**

**TYPE 34900-EHV**  
**Welded Straight Adapter**

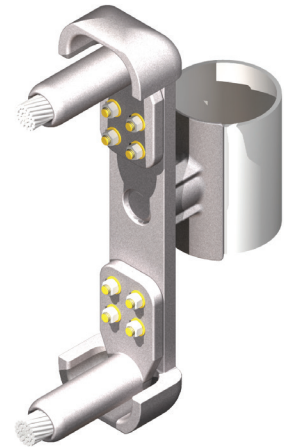
CODE	CONDUCTOR				DIE SIZE ALUMINUM HEX DIE
	ACSR OR AAC	SIZE KCMIL	STRANDING AL/ST	DIAMETER IN INCHES	
34.128	ACSR	1033.5	45/7	1.212	34AH
	AAC	1113	61	1.216	
34.134	ACSR	1033.5	54/7	1.244	34AH
	ACSR	1113	45/7	1.259	
	AAC	1192.5	61	1.258	
34.138	AAC	1272	61	1.300	34AH
	ACSR	1192.5	45/7	1.302	
34.138	ACSR	1113	54/19	1.293	34AH
	ACSR	1272	45/7	1.345	
36.144	ACSR	1192.5	54/19	1.333	36AH
	AAC	1351	61	1.340	
	AAC	1431	61	1.379	
36.147	ACSR	1272	54/19	1.382	36AH
	ACSR	1351.5	45/7	1.386	
	ACSR	1500	91	1.412	
	AAC	1510.5	61	1.187	
38.150	ACSR	1351.5	54/19	1.424	38AH
	ACSR	1431	45/7	1.427	
38.156	ACSR	1431	54/19	1.465	38AH
	ACSR	1510.5	45/7	1.466	
	AAC	1590	61	1.250	
	AAC	1590	91	1.454	
40.162	ACSR	1510.5	54/19	1.506	40AH
	ACSR	1590	45/7	1.504	
	ACSR	1590	54/19	1.545	
	AAC	1750	61	1.525	
42.178	ACSR	1780	84/19	1.602	42AH
	ACSR	2034	72/7	1.681	
	AAC	2000	91	1.630	
44.181	ACSR	2167	72/7	1.737	44AH
	AAC	2250	91	1.729	
	AAC	2300	61	1.750	
	AAC	2300	91	1.750	
44.184	ACSR	2156	84/19	1.762	44AH
44.188	ACSR	2312	76/19	1.802	44AH
	AAC	2500	91	1.823	
48.197	ACSR	2515	76/19	1.880	48AH
	AAC	2750	91	1.912	

## DOSSERT®

### TYPE 34992-EHV, 34993-EHV

#### Welded Tee Adapter

Bi-conductor tee adapter is designed to be corona free for 345 kV and 500 kV service. Bi-conductor tee adapter is furnished as complete assembly consisting of bi-conductor adapter, two 90° EHV compression terminals and necessary aluminum hardware. Complete assembly is ordered by specifying catalog number and size of stranded conductor.



#### Material

Aluminum Alloy

#### Mounting Hardware

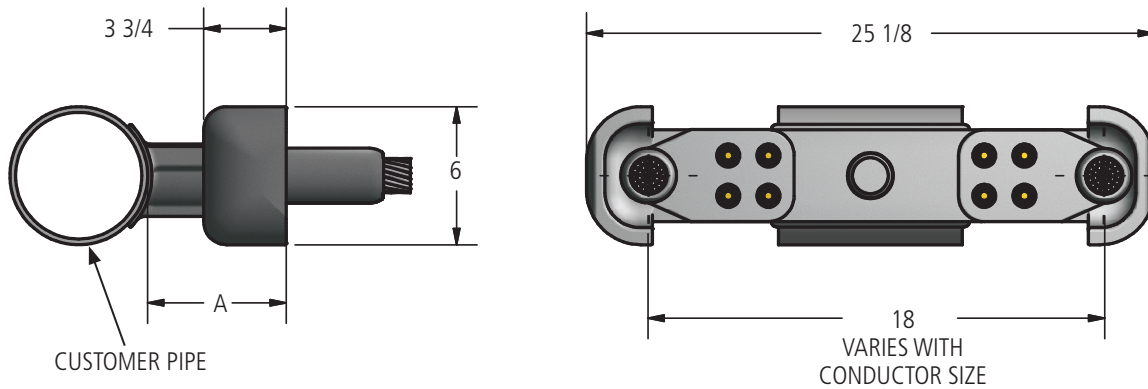
Galvanized steel bolts and lockwashers.

#### Hardware

Yellow anodized aluminum bolts, nuts, and lockwashers.

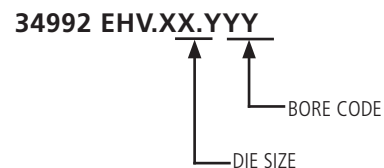
#### Notes

For conductor adapters without terminals, do not include Die Size or Bore Code in part number. Example: for a Bi-conductor adapter to 6" SPS, order 34993EHV.



#### Ordering Information

CONDUCTOR SIZE SPS & EHPS	CATALOG NUMBER	DIMENSIONS IN INCHES	NOMINAL WEIGHT
		A	LBS
3 THRU 4	34992EHV.XX.YYY	6.16	11.9
5 & 6	34993EHV.XX.YYY	6.36	13.6







**DOSSERT®**

**TYPE 34992-EHV, 34993-EHV**

**Welded Tee Adapter**

CODE	CONDUCTOR				DIE SIZE ALUMINUM HEX DIE
	ACSR OR AAC	SIZE KCMIL	STRANDING AL/ST	DIAMETER IN INCHES	
30.109	ACSR	715.5	24/7	1.036	30AH
	ACSR	715.5	26/7	1.051	
	ACSR	795	36/1	1.040	
	AAC	795	37	1.026	
	AAC	795	61	1.028	
	AAC	800	37	1.031	
	AAC	800	61	1.031	
30.116	ACSR	715.5	30/19	1.081	30AH
	ACSR	795	45/7	1.063	
	ACSR	795	54/7	1.093	
	ACSR	795	26/7	1.108	
	ACSR	795	24/7	1.092	
	AAC	900	61	1.094	
30.122	ACSR	795	30/19	1.140	30AH
	ACSR	900	45/7	1.131	
	ACSR	900	54/7	1.162	
	ACSR	954	36/1	1.140	
	ACSR	954	45/7	1.165	
	AAC	954	37	1.124	
	AAC	954	61	1.126	
	AAC	1000	61	1.152	
	AAC	1033.5	37	1.170	
AAC	1033.5	61	1.172		
30.125	ACSR	954	54/7	1.196	30AH
	ACSR	1033.5	36/1	1.186	
34.128	ACSR	1033.5	45/7	1.212	34AH
	AAC	1113	61	1.216	
34.134	ACSR	1033.5	54/7	1.244	34AH
	ACSR	1113	45/7	1.259	
	AAC	1192.5	61	1.258	
	AAC	1272	61	1.300	
34.138	ACSR	1192.5	45/7	1.302	34AH
	ACSR	1113	54/19	1.293	
36.144	ACSR	1272	45/7	1.345	36AH
	ACSR	1192.5	54/19	1.333	
	AAC	1351	61	1.340	
	AAC	1431	61	1.379	



**DOSSERT®**

**TYPE 34992-EHV, 34993-EHV**

**Welded Tee Adapter**

345/500 kV – Tee Connectors

CODE	CONDUCTOR				DIE SIZE ALUMINUM HEX DIE
	ACSR OR AAC	SIZE KCMIL	STRANDING AL/ST	DIAMETER IN INCHES	
36.147	ACSR	1272	54/19	1.382	36AH
	ACSR	1351.5	45/7	1.386	
	ACSR	1500	91	1.412	
	AAC	1510.5	61	1.187	
38.150	ACSR	1351.5	54/19	1.424	38AH
	ACSR	1431	45/7	1.427	
38.156	ACSR	1431	54/19	1.465	38AH
	ACSR	1510.5	45/7	1.466	
	AAC	1590	61	1.250	
	AAC	1590	91	1.454	
40.162	ACSR	1510.5	54/19	1.506	40AH
	ACSR	1590	45/7	1.504	
	ACSR	1590	54/19	1.545	
	AAC	1750	61	1.525	
42.178	ACSR	1780	84/19	1.602	42AH
	ACSR	2034	72/7	1.681	
	AAC	2000	91	1.630	
44.181	ACSR	2167	72/7	1.737	44AH
	AAC	2250	91	1.729	
	AAC	2300	61	1.750	
	AAC	2300	91	1.750	
44.184	ACSR	2156	84/19	1.762	44AH
44.188	ACSR	2312	76/19	1.802	44AH
	AAC	2500	91	1.823	
48.197	ACSR	2515	76/19	1.880	48AH
	AAC	2750	91	1.912	

## DOSSERT®

### TYPE 34996-EHV, 34997-EHV

#### Welded Tee Adapter

Tri-conductor tee adapter is designed to be corona free for 345 kV and 500 kV service. Tri-conductor tee adapter is furnished as complete assembly consisting of tri-conductor adapter, three 90° EHV compression terminals and necessary aluminum hardware. Weights shown do not include compression terminals.

#### Material

Aluminum Alloy

#### Mounting Hardware

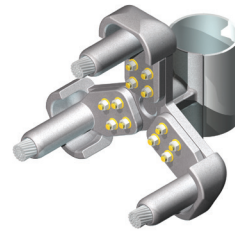
Galvanized steel bolts and lockwashers.

#### Hardware

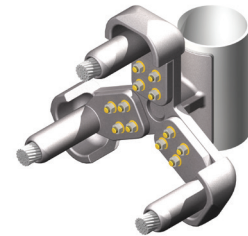
Yellow anodized aluminum bolts, nuts, and lockwashers.

#### Notes

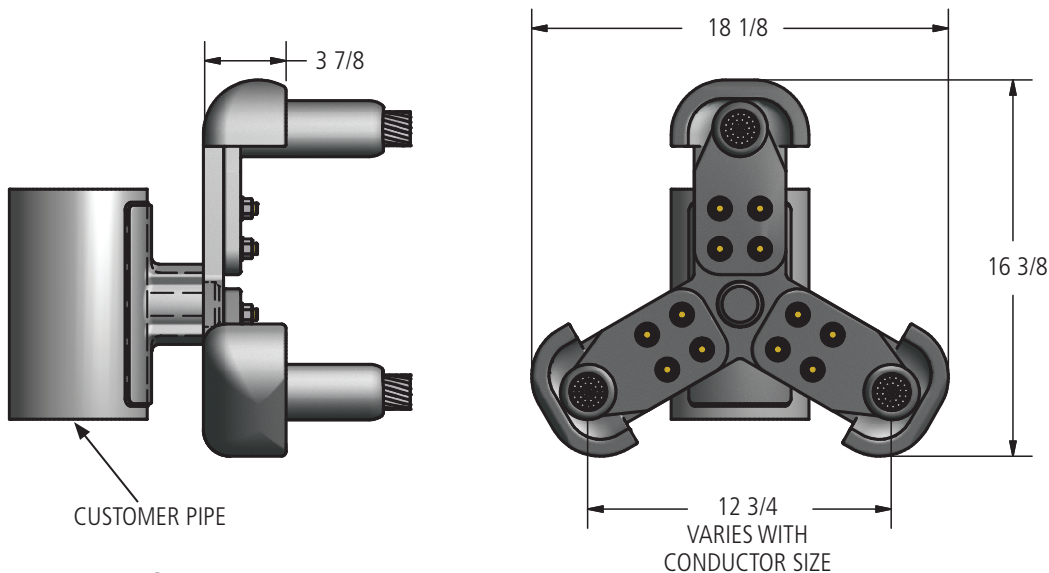
For conductor adapters without terminals, do not include Die Size or Bore Code in part number. Example: for a Tri-conductor adapter to 6" SPS, order 34997EHV.



34996-EHV

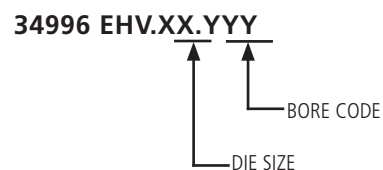


34997-EHV



#### Ordering Information

CONDUCTOR SIZE SPS & EHPS	CATALOG NUMBER	DIMENSIONS IN INCHES	NOMINAL WEIGHT
		A	LBS
3 THRU 4	34996 EHV.XX.YYY	6.16	13.8
5 & 6	34997 EHV.XX.YYY	6.36	15.5





**DOSSERT®**

**TYPE 34996-EHV, 34997-EHV**

**Welded Tee Adapter**

345/500 kV – Tee Connectors

CODE	CONDUCTOR				DIE SIZE ALUMINUM HEX DIE
	ACSR OR AAC	SIZE KCMIL	STRANDING AL/ST	DIAMETER IN INCHES	
30.109	ACSR	715.5	24/7	1.036	30AH
	ACSR	715.5	26/7	1.051	
	ACSR	795	36/1	1.040	
	AAC	795	37	1.026	
	AAC	795	61	1.028	
	AAC	800	37	1.031	
	AAC	800	61	1.031	
30.116	ACSR	715.5	30/19	1.081	30AH
	ACSR	795	45/7	1.063	
	ACSR	795	54/7	1.093	
	ACSR	795	26/7	1.108	
	ACSR	795	24/7	1.092	
	AAC	900	61	1.094	
	30.122	ACSR	795	30/19	
ACSR		900	45/7	1.131	
ACSR		900	54/7	1.162	
ACSR		954	36/1	1.140	
ACSR		954	45/7	1.165	
AAC		954	37	1.124	
AAC		954	61	1.126	
AAC		1000	61	1.152	
AAC		1033.5	37	1.170	
AAC		1033.5	61	1.172	
30.125	ACSR	954	54/7	1.196	30AH
	ACSR	1033.5	36/1	1.186	
34.128	ACSR	1033.5	45/7	1.212	34AH
	AAC	1113	61	1.216	
34.134	ACSR	1033.5	54/7	1.244	34AH
	ACSR	1113	45/7	1.259	
	AAC	1192.5	61	1.258	
	AAC	1272	61	1.300	
34.138	ACSR	1192.5	45/7	1.302	34AH
	ACSR	1113	54/19	1.293	
36.144	ACSR	1272	45/7	1.345	36AH
	ACSR	1192.5	54/19	1.333	
	AAC	1351	61	1.340	
	AAC	1431	61	1.379	



**DOSSERT®**

**TYPE 34996-EHV, 34997-EHV**

**Welded Tee Adapter**

CODE	CONDUCTOR				DIE SIZE ALUMINUM HEX DIE
	ACSR OR AAC	SIZE KCMIL	STRANDING AL/ST	DIAMETER IN INCHES	
36.147	ACSR	1272	54/19	1.382	36AH
	ACSR	1351.5	45/7	1.386	
	ACSR	1500	91	1.412	
	AAC	1510.5	61	1.187	
38.150	ACSR	1351.5	54/19	1.424	38AH
	ACSR	1431	45/7	1.427	
38.156	ACSR	1431	54/19	1.465	38AH
	ACSR	1510.5	45/7	1.466	
	AAC	1590	61	1.250	
	AAC	1590	91	1.454	
40.162	ACSR	1510.5	54/19	1.506	40AH
	ACSR	1590	45/7	1.504	
	ACSR	1590	54/19	1.545	
	AAC	1750	61	1.525	
42.178	ACSR	1780	84/19	1.602	42AH
	ACSR	2034	72/7	1.681	
	AAC	2000	91	1.630	
44.181	ACSR	2167	72/7	1.737	44AH
	AAC	2250	91	1.729	
	AAC	2300	61	1.750	
	AAC	2300	91	1.750	
44.184	ACSR	2156	84/19	1.762	44AH
44.188	ACSR	2312	76/19	1.802	44AH
	AAC	2500	91	1.823	
48.197	ACSR	2515	76/19	1.880	48AH
	AAC	2750	91	1.912	

## **DOSSERT<sup>®</sup>** **TYPE A-Frame Assemblies**

### **Welded (Tube)**

AFL can supply prefabricated A-frame assemblies ready for field mounting and welding. Assemblies are factory fabricated from standard A-frame fittings and pipe carefully welded and inspected to insure accuracy and best performance.

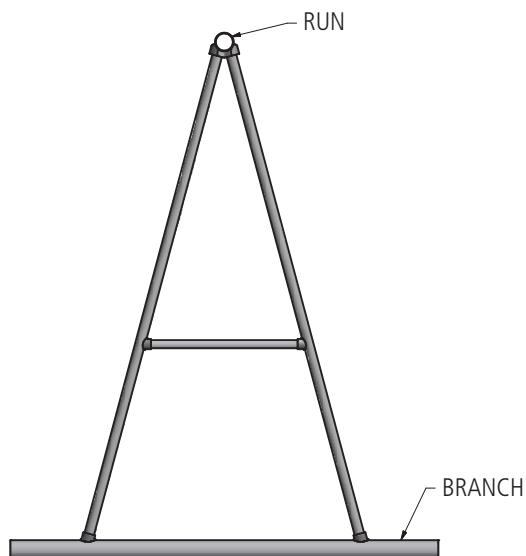
A-frame fittings are designed to make fast, reliable A-frame assemblies. Fittings are designed to be welded on the outside of the pipe allowing use of both Schedule 40 and Schedule 80 pipe. Socket design allows for slight inaccuracies in field cut length of pipe.

### **Notes**

For bus conductor information, see AFL Bus Conductor catalog.



**A-Frame Assemblies**



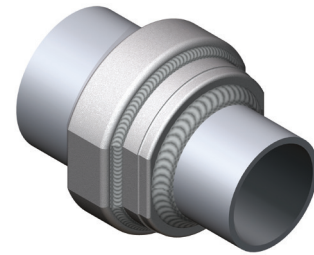
### **Ordering Information**

To order, contact customer service with angle, top and bottom run sizes, leg size, centerline height and crossbrace size and spacing if required.

## DOSSERT® TYPE 15100-EHV

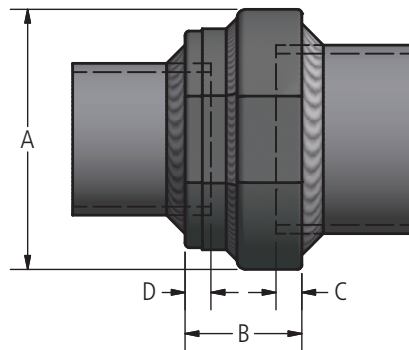
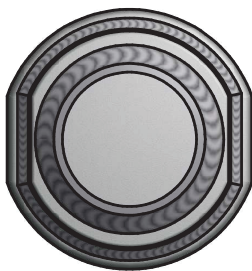
### Reducer Connector for Pipe

Reducer connector is designed to connect unequal pipe sizes with minimum amount of trouble. Designed for 345 kV and 500 kV service. Connector is welded on outside of pipe allowing use on both schedule 40 and schedule 80 pipe.



### Material

Aluminum Alloy



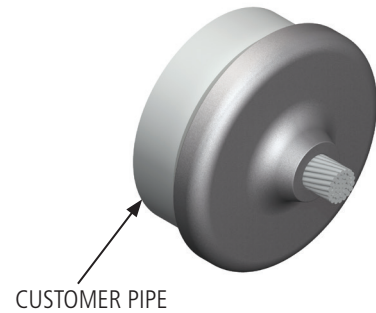
### Ordering Information

CATALOG NUMBER	CONDUCTOR SIZE		DIMENSIONS IN INCHES				NOMINAL WEIGHT LBS
	SPS / EHPS		A	B	C	D	
	RUN	BRANCH					
15108-7EHV	3	2 1/2	4.12	1.75	0.44	0.44	1.3
15109-7EHV	3 1/2	2 1/2	4.69	1.75	0.44	0.44	1.5
15109-8EHV	3 1/2	3	4.69	1.88	0.44	0.44	1.9
15110-7EHV	4	2 1/2	5.19	1.81	0.5	0.44	1.7
15110-8EHV	4	3	5.19	1.94	0.5	0.44	2.1
15110-9EHV	4	3 1/2	5.19	1.94	0.5	0.44	2.3
15112-7EHV	5	2 1/2	6.25	1.81	0.5	0.44	2.2
15112-8EHV	5	3	6.25	1.94	0.5	0.44	2.6
15112-9EHV	5	3 1/2	6.25	1.94	0.5	0.44	2.8
15112-10EHV	5	4	6.25	2.00	0.5	0.50	3.1
15113-7EHV	6	2 1/2	7.38	1.81	0.5	0.44	2.8
15113-8EHV	6	3	7.38	1.94	0.5	0.44	3.2
15113-9EHV	6	3 1/2	7.38	1.94	0.5	0.44	3.4
15113-10EHV	6	4	7.38	2.00	0.5	0.50	3.7
15113-12EHV	6	5	7.38	2.00	0.5	0.50	4.3

## DOSSERT® TYPE 14700-EHV

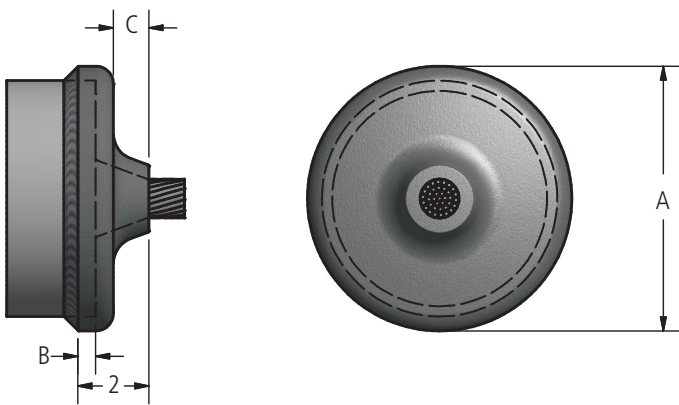
### Straight Adapter Tube to Cable

Adapter is designed to make inline connection between pipe and stranded cable. Designed for 345 kV service. Cable is "puddle" welded to connector; connector is then welded to tube. Not recommended for use on ACSR conductors due to difficulty welding steel core.



### Material

Aluminum Alloy



### Ordering Information

TABLE 1					
SPS	CATALOG NUMBER	DIMENSIONS IN INCHES			NOMINAL WEIGHT LBS
		A	B	C	
3	14708	4.22	0.44	1.06	1.20
3 1/2	14709	4.66	0.44	1.06	1.30
4	14710	5.22	0.50	1.00	1.50
5	14712	6.38	0.50	1.00	1.90
6	14713	7.44	0.50	1.00	2.60

TABLE 2							
STANDARD CONDUCTOR RANGE			CATALOG NUMBER				
			RUN CONDUCTOR (SPS & EHPS)				
MIN	MAX	DIAMETER	3	3 1/2	4	5	6
900 MCM	-	1.048 - 1.110	14708.112 EHV	14709.112 EHV	14710.112 EHV	14712.112 EHV	14713.112 EHV
954 MCM	1033.5 MCM	1.111 - 1.173	14708.119 EHV	14709.119 EHV	14710.119 EHV	14712.119 EHV	14713.119 EHV
1113 MCM	-	1.174 - 1.235	14708.125 EHV	14709.125 EHV	14710.125 EHV	14712.125 EHV	14713.125 EHV
1192.5 MCM	1250 MCM	1.236 - 1.297	14708.131 EHV	14709.131 EHV	14710.131 EHV	14712.131 EHV	14713.131 EHV
1272 MCM	1351.5 MCM	1.298 - 1.360	14708.138 EHV	14709.138 EHV	14710.138 EHV	14712.138 EHV	14713.138 EHV
1431 MCM	1510.5 MCM	1.361 - 1.423	14708.144 EHV	14709.144 EHV	14710.144 EHV	14712.144 EHV	14713.144 EHV
1590 MCM	-	1.424 - 1.485	14708.150 EHV	14709.150 EHV	14710.150 EHV	14712.150 EHV	14713.150 EHV
1750 MCM	-	1.486 - 1.542	14708.156 EHV	14709.156 EHV	14710.156 EHV	14712.156 EHV	14713.156 EHV



## DOSSERT®

### TYPE TP-N-V-AA, TPA-N-90-V-AA

#### Bolted Terminal to Pipe Rated for 500 kV

Bolted terminal for installation to pipe.

#### Material

Aluminum Alloy

#### Hardware

Yellow anodized aluminum nuts, bolts, and lockwashers.

#### Notes

For a 3" pipe with a 4" terminal pad, at 90°, high voltage, use TPA300-4N4-90-V-AA.



TP-N-V-AA



TPA-N-90-V-AA

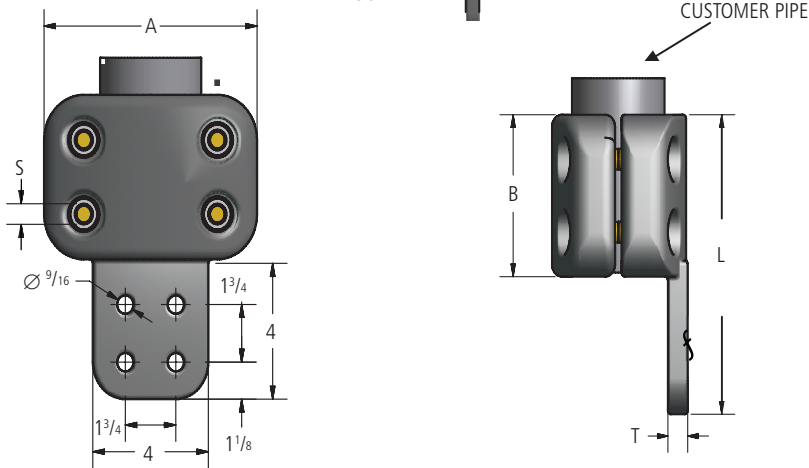
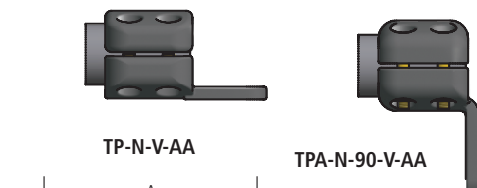


Fig. 1

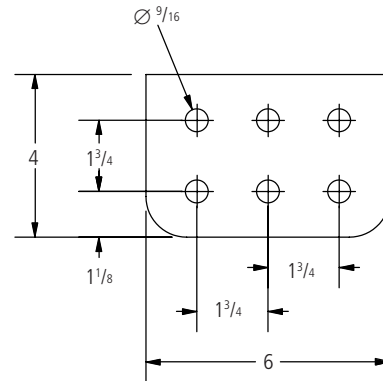


Fig. 2

## DOSSERT®

### TYPE TP-N-V-AA, TPA-N-90-V-AA

**Bolted Terminal to Pipe Rated for 500 kV**

#### Ordering Information

CATALOG NUMBER		SPS	FIG. NO.	DIMENSIONS IN INCHES				
STANDARD	90 DEG			A	B	L	S	T
TP250-4N4-V-AA	TPA250-4N4-90-V-AA	2 1/2	1	5 3/4	4 1/2	9	1/2	3/4
TP300-4N4-V-AA	TPA300-4N4-90-V-AA	3	1	7 3/8	5	9 1/2	5/8	3/4
TP350-4N4-V-AA	TPA350-4N4-90-V-AA	3 1/2	1	7 7/8	5	9 1/2	5/8	7/8
TP400-4N4-V-AA	TPA400-4N4-90-V-AA	4	1	8 3/8	5	10 1/2	5/8	7/8
TP400-6N4-V-AA	TPA400-6N4-90-V-AA	4	2	8 3/8	5	10 1/2	5/8	7/8
TP500-4N4-V-AA	TPA500-4N4-90-V-AA	5	1	10 1/4	5 3/4	10 1/8	5/8	1 1/4
TP500-6N4-V-AA	TPA500-6N4-90-V-AA	5	2	9 9/16	6 1/4	10 5/8	5/8	1 1/8
TP600-4N4-V-AA	TPA600-4N4-90-V-AA	6	1	10 3/8	5	9 1/4	5/8	1 1/8
TP600-6N4-V-AA	TPA600-6N4-90-V-AA	6	2	10 5/8	6 1/4	10 1/2	5/8	1 1/4
TP800R-4N4-V-AA	TPA800R-4N4-90-V-AA	8 OD	1	11 1/4	6	10 1/2	5/8	1 1/2
TP800-4N4-V-AA	TP800-4N4-90-V-AA	8	1	11	6	10 1/2	5/8	1 1/2

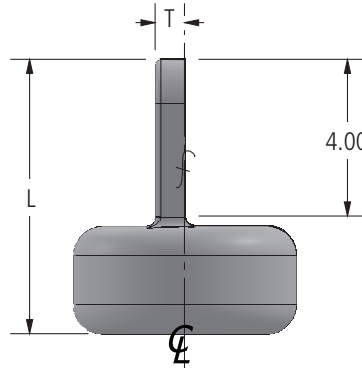
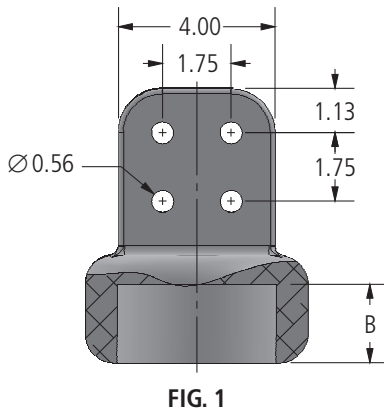
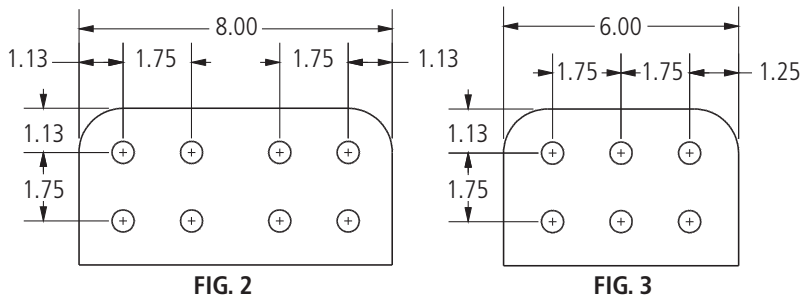
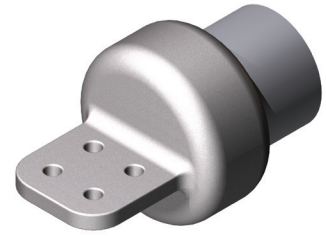
## DOSSERT® TYPE WTPC-N-V-AA

### Welded External Centerform Terminal

Terminal is designed to be corona free for 345 kV and 500 kV service when pad covers are used to shield terminal hardware.

#### Material

Aluminum Alloy



### Ordering Information

CATALOG NUMBER	SPS	FIG. NO.	DIMENSIONS IN INCHES		
			B	L	T
WTPC200-4N4-V-AA	2	1	1.50	6.00	0.50
WTPC200-6N4-V-AA	2	3	1.50	6.00	0.50
WTPC300-4N4-V-AA	3	1	1.75	6.75	0.63
WTPC350-4N4-V-AA	3 1/2	1	2.00	7.00	0.75
WTPC400-4N4-V-AA	4	1	2.00	6.75	0.88
WTPC500-4N4-V-AA	5	1	2.75	7.75	0.88
WTPC500-6N4-V-AA	5	3	2.75	7.75	0.88
WTPC600-4N4-V-AA	6	1	3.00	8.00	1.00
WTPC600E-8N4-V-AA	6	2	3.00	8.00	1.00
WTPC800R-4N4-V-AA	8 OD	1	3.00	8.00	1.00
WTPC800-4N4-V-AA	8	1	3.00	8.00	1.00

## DOSSERT® TYPE WTPI-N-V-AA, WTPIA-N-90-V-AA

### Welded Internal Offset Terminal

Welded internal terminal standard and at 90° is designed to be corona free for 345 kV and 500 kV service.

#### Material

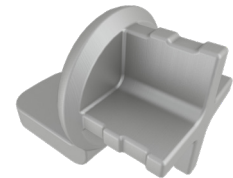
Aluminum Alloy



WTPI-N-V-AA



WTPIA-N-90-V-AA



\*CROSS DESIGN

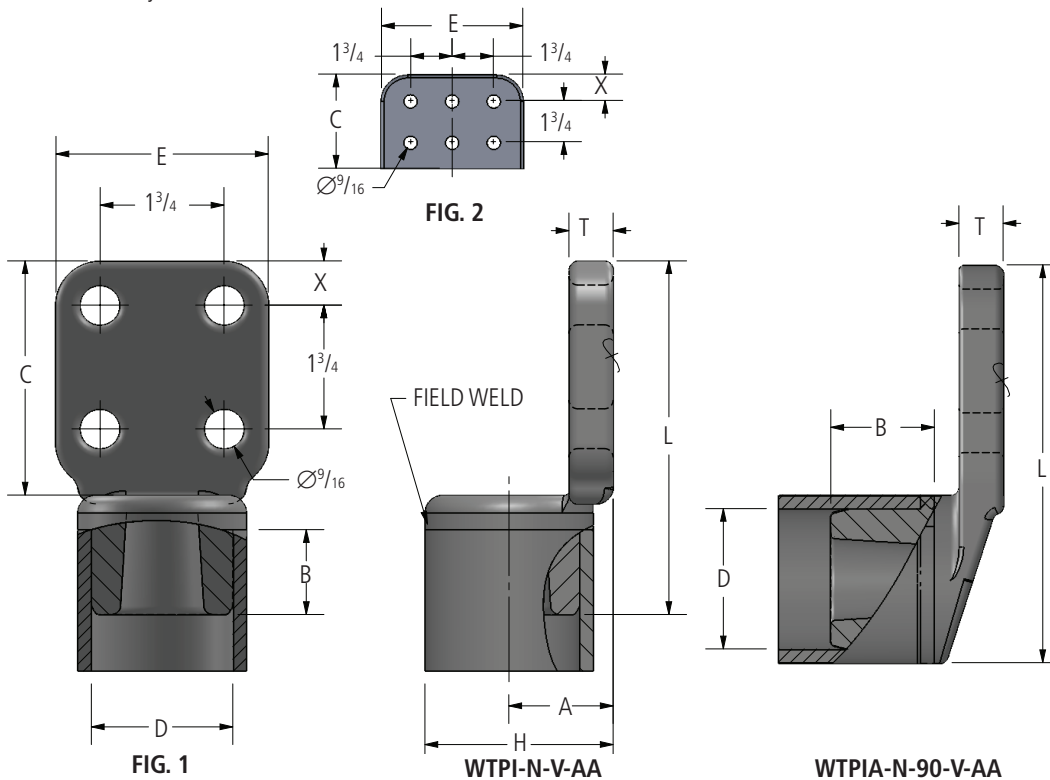


FIG. 1

FIG. 2

WTPI-N-V-AA

WTPIA-N-90-V-AA

continued



## DOSSERT®

### TYPE WTPI-N-V-AA, WTPIA-N-90-V-AA

#### Welded Internal Offset Terminal

#### Ordering Information

CATALOG NUMBER		SPS	FIG. NO.	DIMENSIONS IN INCHES								
STANDARD	90 DEGREE			A	B	C	D	E	H	L	T	X
WTPI200-4N-V-AA	WTPIA200-4N-90-V-AA	2	1	1.50	1.25	3.00	2.000	3.00	2.69	4.75	0.63	0.63
WTPI200E-4N4-V-AA	WTPIA200E-4N4-90-V-AA	2	1	1.50	1.94	4.00	1.872	4.00	2.88	6.63	0.63	1.13
WTPI250-4N4-V-AA	WTPIA250-4N4-90-V-AA	2 1/2	1	1.75	1.50	4.00	2.390	4.00	3.19	6.75	0.63	1.13
WTPI400-4N4-V-AA	WTPIA400-4N4-90-V-AA	4	1	2.50	2.25	4.00	3.995	4.00	4.75	7.75	0.75	1.13
WTPI400E-4N4-V-AA	WTPIA400E-4N4-90-V-AA	4 EHPS	1	2.50	2.25	4.00	3.764	4.00	4.75	7.75	0.75	1.13
WTPI500-4N4-V-AA*	WTPIA500-4N4-90-V-AA	5	1	3.00	2.88	4.00	4.984	4.00	5.91	8.25	0.88	1.13
WTPI500-6N4-V-AA	WTPIA500-6N4-90-V-AA*	5	2	3.00	3.00	4.00	4.984	6.00	5.91	9.81	1.13	1.13
WTPI500E-4N4-V-AA	WTPIA500E-4N4-90-V-AA	5 EHPS	1	3.00	2.88	4.00	4.750	4.00	5.91	8.25	0.88	1.13
WTPI600-4N4-V-AA	WTPIA600-4N4-90-V-AA*	6	1	3.50	3.38	4.00	6.000	4.00	6.81	10.88	1.00	1.13
WTPI600E-4N4-V-AA	WTPIA600E-4N4-90-V-AA*	6	1	3.50	3.38	4.00	5.683	4.00	6.81	10.88	1.00	1.13
WTPI600-6N4-V-AA	WTPIA600-6N4-90-V-AA	6	2	3.50	3.38	4.00	6.000	6.00	6.81	10.88	1.13	1.13
WTPI800R-4N4-V-AA	WTPIA800R-4N4-90-V-AA	8 OD	1	4.50	4.00	4.00	7.154	4.00	7.75	10.00	1.00	1.13
WTPI800-4N4-V-AA	WTPIA800-4N4-90-V-AA	8	1	4.50	4.00	4.00	8.000	4.00	7.75	10.00	1.00	1.13

\* Cross Design

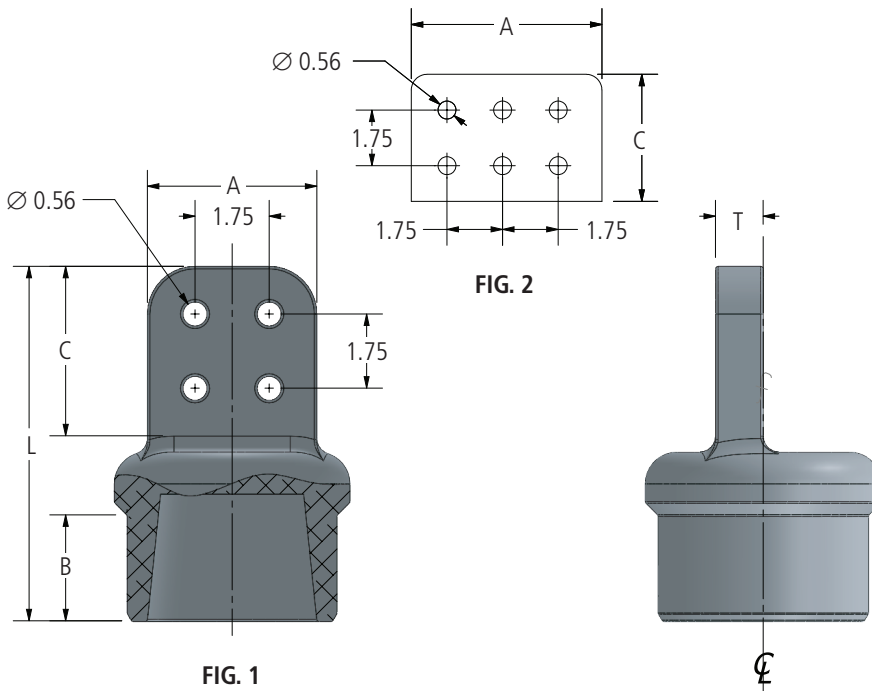
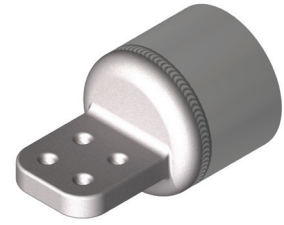
## DOSSERT® TYPE WTPIC-N-V-AA, WTPIC-E-N-V-AA

### Welded Internal Terminal

Welded internal terminal is designed to be corona free for 345 kV and 500 kV service.

### Material

Aluminum Alloy



### Ordering Information

CATALOG NUMBER		SPS	FIG. NO.	DIMENSIONS IN INCHES				
SCHEDULE 40	SCHEDULE 80			A	B	C	L	T
WTPIC250-4N4-V-AA	WTPIC250E-4N4-V-AA	2 1/2	1	4.00	1.50	4.00	6.88	0.63
WTPIC300-4N4-V-AA	WTPIC300E-4N4-V-AA	3	1	4.00	2.00	4.00	7.38	0.63
WTPIC300-6N4-V-AA	WTPIC300E-6N4-V-AA	3	2	6.00	2.00	4.00	7.38	0.63
WTPIC350-4N4-V-AA	WTPIC350E-4N4-V-AA	3 1/2	1	4.00	2.00	4.00	7.38	0.75
WTPIC400-4N4-V-AA	WTPIC400E-4N4-V-AA	4	1	4.00	2.31	4.00	7.75	0.75
WTPIC400-6N4-V-AA	WTPIC400E-6N4-V-AA		2	6.00	2.31	4.00	7.75	0.75
WTPIC400-6N6-V-AA	WTPIC400E-6N6-V-AA		2	6.00	2.31	6.00	7.75	0.75
WTPIC500-4N4-V-AA	WTPIC500E-4N4-V-AA	5	1	4.00	3.00	4.00	8.56	1.13
WTPIC500-6N6-V-AA	WTPIC500E-6N6-V-AA		2	6.00	2.50	6.00	8.13	0.88
WTPIC600-4N4-V-AA	WTPIC600E-4N4-V-AA	6	1	4.00	3.50	4.00	9.31	1.00
WTPIC600-6N6-V-AA	WTPIC600E-6N6-V-AA		2	6.00	3.50	6.00	9.31	1.00

## DOSSERT® TYPE WXL-V-AA, WXL-HV-AA

### Expansion Terminal Connector

Expansion terminals are to be corona free for 345 kV and 500 kV service. Aluminum terminals can be connected to aluminum or copper terminals. Laminated straps provide for 1.75" (44.5 mm) expansion or contraction. Static steel static eliminator springs are supplied for slip fit end of corona ring assembly.



#### Material

Aluminum Alloy

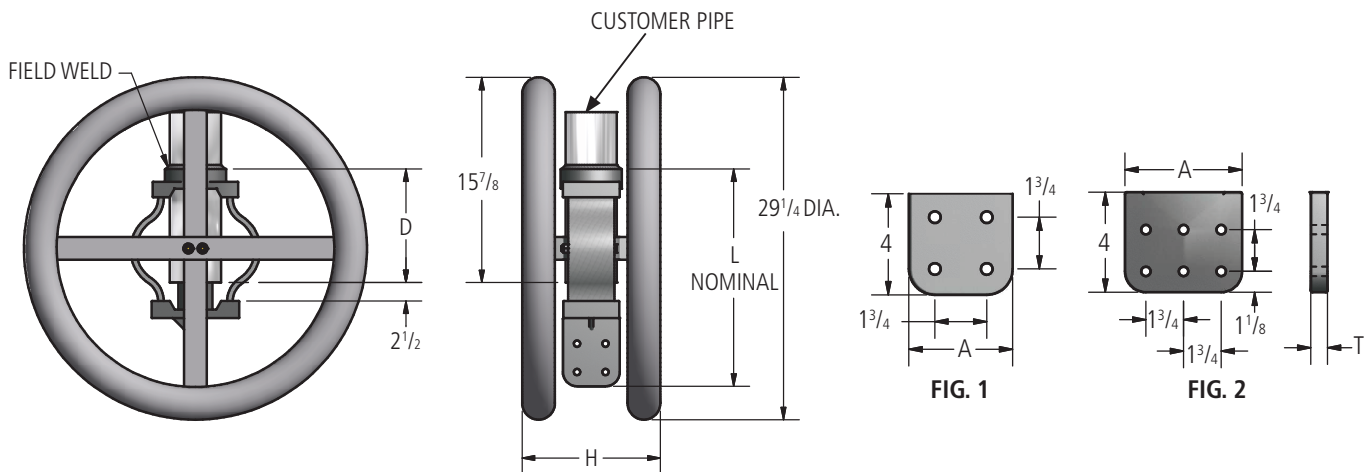
#### Hardware

Yellow anodized aluminum bolts, nuts, and lockwashers.  
Stainless steel bolts, nuts, and lockwashers.

#### Notes

If hardware shield is required add -CSBV-to catalog  
Example: WXL500E-4N4-V-AA-CSBV

For SCH 80 bus pipe, add "E" to catalog number.  
Example: For 4 in SCH 80 bus pipe to 4 hole 4 in  
NEMA pad order: WXL400E-4N4-V-AA.



### Ordering Information

CATALOG NUMBER				SPS	FIG. NO.	DIMENSIONS IN INCHES				
345 KV		500 KV				A	D	H	L	T
SCH 40	SCH 80	SCH 40	SCH 80							
WXL250-4N4-V-AA	WXL250E-4N4-V-AA	WXL250-4N4-HV-AA	WXL250E-4N4-HV-AA	2 1/2	1	4	7 11/16	10 5/8	15 7/8	5/8
WXL300-4N4-V-AA	WXL300E-4N4-V-AA	WXL300-4N4-HV-AA	WXL300E-4N4-HV-AA	3	1	4	8 3/16	11 1/8	17	5/8
WXL350-4N4-V-AA	WXL350E-4N4-V-AA	WXL350-4N4-HV-AA	WXL350E-4N4-HV-AA	3 1/2	1	4	9 3/4	11 5/8	18 5/16	3/4
WXL400-4N4-V-AA	WXL400E-4N4-V-AA	WXL400-4N4-HV-AA	WXL400E-4N4-HV-AA	4	1	4	10	12 1/8	19	3/4
WXL500-4N4-V-AA	WXL500E-4N4-V-AA	WXL500-4N4-HV-AA	WXL500E-4N4-HV-AA	5	1	4	10	13 1/8	19	7/8
WXL500-6N-V-AA	WXL500E-6N-V-AA	WXL500-6N-HV-AA	WXL500E-6N-HV-AA	5	2	5 3/4	10	13 1/8	19	7/8
WXL600-4N4-V-AA	WXL600E-4N4-V-AA	WXL600-4N4-HV-AA	WXL600E-4N4-HV-AA	6	1	4	12	14 1/4	21	1
WXL600-6N4-V-AA	WXL600E-6N4-V-AA	WXL600-6N4-HV-AA	WXL600E-6N4-HV-AA	6	2	5 3/4	12	14 1/4	21	1

## DOSSERT®

### TYPE TC-N-V-AA, T2C-N-V-AA, TCA-N-V-AA, T2CA-N-V-AA

#### Bolted Cable Terminal

Bolted terminal for connection to cable with NEMA Pad.

#### Material

Aluminum Alloy

#### Hardware

Yellow anodized aluminum nuts, bolts, and lockwashers.

#### Notes

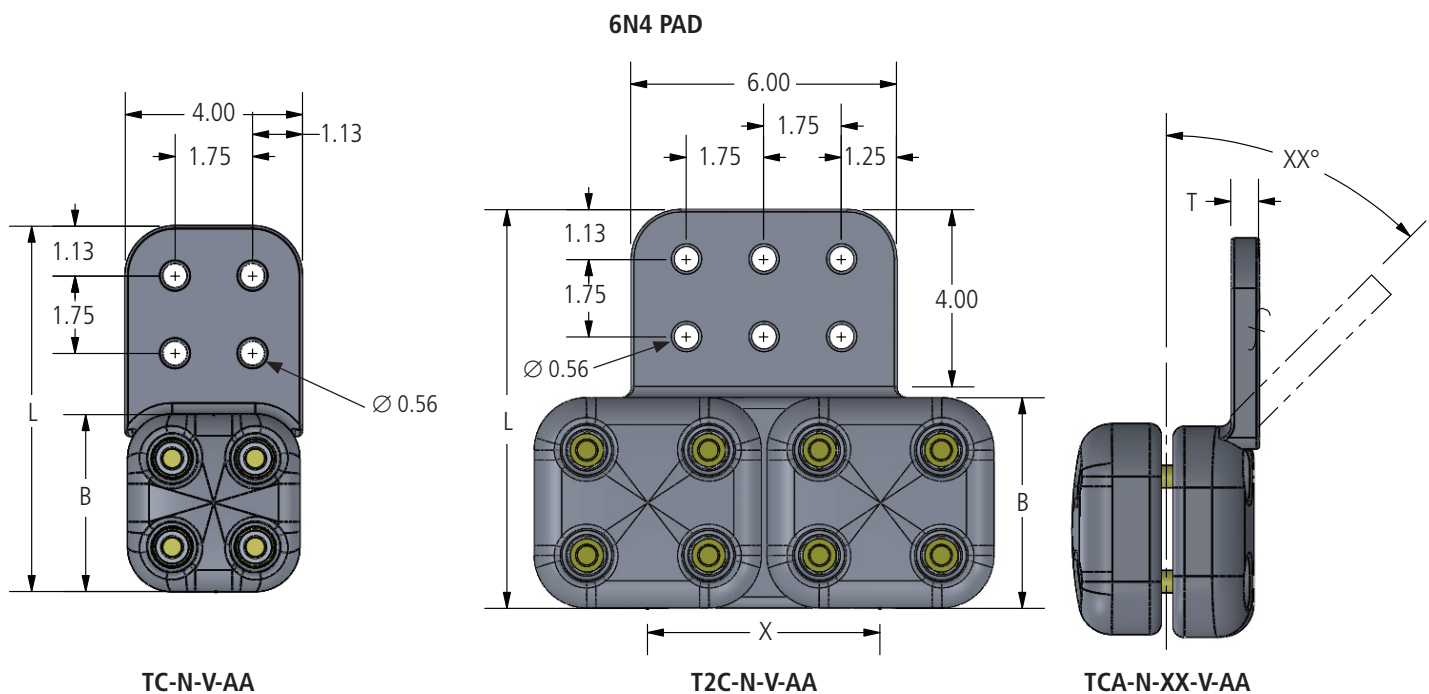
- For Stainless Steel Hardware add "-SS" to catalog number. Example: T2C300-4N4-V-AA-SS
- For Stainless Steel bolts, lockwashers and Everdur nuts add "-SSHBN" to catalog number. Example: T2C300-4N4-V-AA-SSHBN
- For Grade Five Galvanized Steel Hardware add "-GS5" to catalog number. Example: TCA127-4N4-90-V-AA-GS5
- For Hardware Shield add "-CSBV" to catalog number. Example: T2C127-4N4-V-AA-CSBV
- For Angled Pad add "A" to prefix and angle to catalog number. Example: TCA127-4N4-90-V-AA
- For "X" dimensions larger than listed, add spacing to the catalog number. Example: T2C300-4N4-6-V-AA
- Custom pad thicknesses are available.



TC-N-V-AA



T2C-N-V-AA



continued  
→

345/500 kV – Terminal Conn.



## DOSSERT®

### TYPE TC-N-V-AA, T2C-N-V-AA, TCA-N-V-AA, T2CA-N-V-AA

#### Bolted Cable Terminal

#### Ordering Information

CATALOG NUMBER		CABLE RANGE			DIMENSIONS IN INCHES				BOLT SIZE
SINGLE CABLE	DOUBLE CABLE	ALUMINUM		ACSR	B	L	T	X	
		MIN	MAX						
TC79-4N4-V-AA	T2C79-4N4-V-AA	750 MCM	795 MCM	636(18/1;24/7;26/7)	4.00	8.25	0.50	4.00	1/2
TC95-4N4-V-AA	T2C95-4N4-V-AA	800 MCM	945 MCM	795(47/7;24/7;26/7)	4.00	8.25	0.50	4.00	1/2
TC103-4N4-V-AA	T2C103-4N4-V-AA	1000 MCM	1033.5 MCM	954(45/7;54/7)	4.00	8.25	0.50	4.00	1/2
TC127-4N4-V-AA	T2C127-4N4-V-AA	1113 MCM	1272 MCM	1033(54/7); 1113(45/7)(54/19)	4.50	8.75	0.63	4.63	1/2
–	T2C127-4N4-6-V-AA	1113 MCM	1272 MCM	1033(54/7); 1113(45/7)(54/19)	4.50	9.00	1.00	6.00	1/2
TC127-6N4-V-AA	–	1113 MCM	1272 MCM	1033(54/7); 1113(45/7)(54/19)	4.00	8.25	0.50	–	1/2
–	T2C127-6N4-6-V-AA	1113 MCM	1272 MCM	1033(54/7); 1113(45/7)(54/19)	4.00	8.25	0.50	6.00	1/2
TC140-4N4-V-AA	T2C140-4N4-V-AA	1300 MCM	1400 MCM	1272(45/7;54/19) 1351.5(45/7)	4.50	8.75	0.64	4.63	1/2
TC160-4N4-V-AA	T2C160-4N4-V-AA	1500 MCM	1600 MCM	1431(45/7;54/19) 1351.5(54/19)	4.75	9.00	0.63	5.13	1/2
–	T2C160-4N4-6-V-AA	1500 MCM	1600 MCM	1431(45/7;54/19) 1351.5(54/19)	4.75	9.00	0.75	6.00	1/2
–	T2C160-4N4-8-V-AA	1500 MCM	1600 MCM	1431(45/7;54/19) 1351.5(54/19)	4.75	9.00	0.75	8.00	1/2
TC160-6N4-V-AA	T2C160-6N4-V-AA	1500 MCM	1600 MCM	1431(45/7;54/19) 1351.5(54/19)	4.75	9.00	0.75	5.00	1/2
–	T2C160-6N4-6-V-AA	1500 MCM	1600 MCM	1431(45/7;54/19) 1351.5(54/19)	4.75	9.00	0.75	6.00	1/2
–	T2C160-6N4-8-V-AA	1500 MCM	1600 MCM	1431(45/7;54/19) 1351.5(54/19)	4.75	9.00	0.75	8.00	1/2
TC180-4N4-V-AA	T2C180-4N4-V-AA	1700 MCM	1800 MCM	1590(45/7;54/19)	4.75	9.00	0.63	5.19	1/2
TC200-4N4-V-AA	T2C200-4N4-V-AA	1900 MCM	2000 MCM	1780(84/19)	4.75	9.00	0.75	5.25	1/2
–	T2C200-4N4-6-V-AA	1900 MCM	2000 MCM	1780(84/19)	4.75	9.00	0.75	6.00	1/2
–	T2C200-4N4-12-V-AA	1900 MCM	2000 MCM	1780(84/19)	4.75	9.00	0.75	12.00	1/2
TC200-6N4-V-AA	T2C200-6N4-V-AA	1900 MCM	2000 MCM	1780(84/19)	4.75	9.00	0.75	5.25	1/2
–	T2C200-6N4-6-V-AA	1900 MCM	2000 MCM	1780(84/19)	4.75	9.00	0.75	6.00	1/2
TC205-4N4-V-AA	–	2000 MCM	2049 MCM	1780(84/19) 2034(72/7)	4.75	9.00	0.63	–	1/2
TC250-4N4-V-AA	T2C250-4N4-V-AA	2250 MCM	2500 MCM	2156(84/19)	4.75	9.00	0.88	5.50	5/8
–	T2C250-6N4-V-AA	2250 MCM	2500 MCM	2156(84/19)	4.75	9.00	0.88	5.50	5/8
TC300-4N4-V-AA	T2C300-4N4-V-AA	2750 MCM	3000 MCM	2515(76/19)	4.75	9.00	1.00	5.63	5/8
–	T2C300-4N4-6-V-AA	2750 MCM	3000 MCM	2515(76/19)	4.75	9.00	1.00	6.00	5/8
TC300-6N4-6-V-AA	T2C300-6N4-6-V-AA	2750 MCM	3000 MCM	2515(76/19)	4.75	9.25	1.25	6.00	5/8
TC300-6N4-V-AA	–	2750 MCM	3000 MCM	2515(76/19)	4.75	9.00	1.00	–	5/8
*TC350-4N4-V-AA	*T2C350-4N4-V-AA	3250 MCM	3500 MCM	3156(84/19)	5.50	9.00	1.00	6.00	5/8
–	*T2C350-6N4-13-V-AA	3250 MCM	3500 MCM	3156(84/19)	5.50	10.00	1.00	13.00	5/8
*TC364-4N4-V-AA	–	3640 MCM	–	–	5.50	9.75	1.00	–	5/8

\* Design has 6 bolts per cable

## DOSSERT® TYPE WPC-N-V-AA, WP2C-N-V-AA

### Welded Terminal Connector

Terminal connector is designed to be corona free for 345 kV and 500 kV service.

#### Material

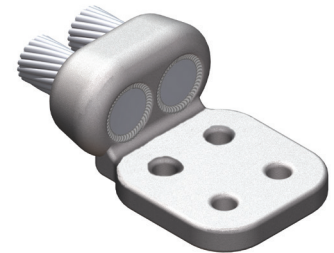
Aluminum Alloy

#### Notes

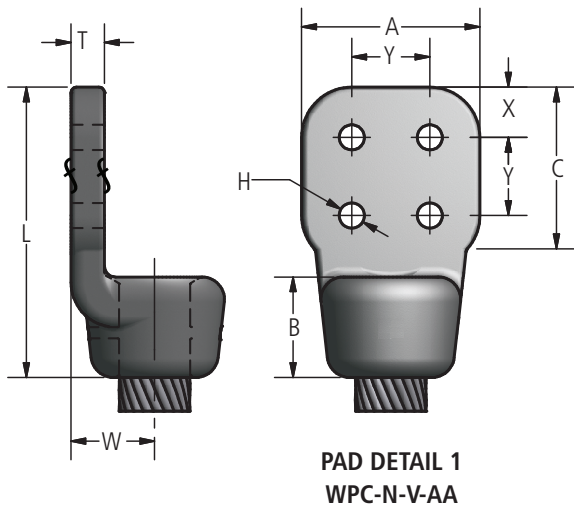
- For Hardware Shield, add "-CSBV" to catalog number. EX: WPC250-4N4-V-AA-CSBV.
- For (2) Hardware Shields, add "-2CSBV" to catalog number. EX: WPC250-4N4-V-AA-2CSBV.



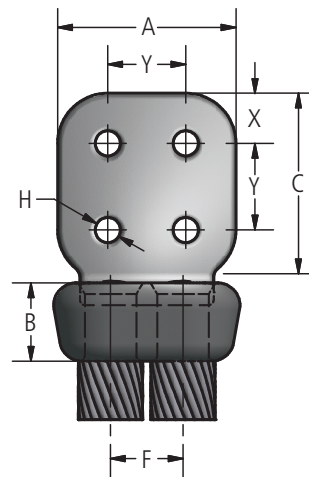
WPC-N-V-AA



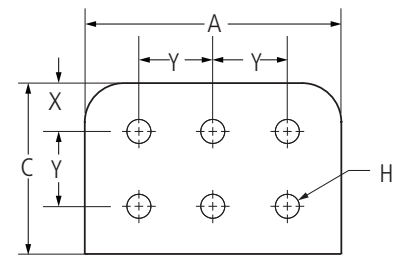
WP2C-N-V-AA



PAD DETAIL 1  
WPC-N-V-AA



WP2C-N-V-AA



PAD DETAIL 2

### Ordering Information

CATALOG NUMBER		CABLE RANGE		PAD DETAIL	DIMENSIONS IN INCHES									
		ACSR	ALUMINUM		A	B	C	F	H	L	T	W	X	Y
WPC65-4N4-V-AA	WP2C65-4N4-V-AA	556.5 (18/2, 24/7, 26/7) 636 (30/19)	600 (37, 61, 91) 636 (37, 61, 91) 650 (37, 61, 91)	1	4.00	1.50	4.00	1.63	0.56	5.75	0.50	1.31	0.63	1.75
WPC80-4N-V-AA	WP2C80-4N-V-AA	636 (30/19) 666.6 (24/7, 26/7) 715.5 (24/7)	750 (37, 61, 91) 795 (37, 61) 800 (61, 91)	1	3.00	1.50	3.00	1.63	0.56	3.00	0.50	1.31	0.63	1.75
WPC80-4N4-V-AA	WP2C80-4N4-V-AA	636 (30/19) 666.6 (24/7, 26/7) 715.5 (24/7)	750 (37, 61, 91) 795 (37, 61) 800 (61, 91)	1	4.00	1.50	4.00	1.63	0.56	4.00	0.50	1.31	1.13	1.75
WPC80-4S4-V-AA	WP2C80-4S4-V-AA	636 (30/19) 666.6 (24/7, 26/7) 715.5 (24/7)	750 (37, 61, 91) 795 (37, 61) 800 (61, 91)	1	4.00	1.50	4.00	1.63	0.69	4.00	0.50	1.31	1.00	2.00
WPC90-4N4-V-AA	WP2C90-4N4-V-AA	715.5 (30/19) 795 (36/1, 45/7, 24/7, 54/7)	800 (61, 91) 874.5 (37, 61) 900 (37, 61, 91)	1	4.00	1.50	4.00	1.63	0.56	6.25	0.50	1.31	1.13	1.75

## DOSSERT® TYPE WPC-N-V-AA, WP2C-N-V-AA (cont.)

### Welded Terminal Connector

### Ordering Information

CATALOG NUMBER		CABLE RANGE		PAD DETAIL	DIMENSIONS IN INCHES									
		ACSR	ALUMINUM		A	B	C	F	H	L	T	W	X	Y
WPC90-4S4-V-AA	WP2C90-4S4-V-AA	715.5 (30/19) 795 (36/1, 45/7, 24/7, 54/7)	800 (61,91) 874.5 (37,61) 900 (37,61,91)	1	4.00	1.50	4.00	1.63	0.69	6.25	0.50	1.31	1.00	2.00
WPC95-4N4-V-AA	WP2C95-4N4-V-AA	795 (30/19, 26/7) 874.5 (54/7) 900 (45/7, 54/7)	900 (37,61,91) 954 (37,61)	1	4.00	1.75	4.00	1.63	0.56	6.00	0.50	1.38	1.13	1.75
WPC95-4S4-V-AA	WP2C95-4S4-V-AA	795 (30/19, 26/7) 874.5 (54/7) 900 (45/7, 54/7)	900 (37,61,91) 954 (37,61)	1	4.00	1.75	4.00	1.63	0.69	6.00	0.50	1.38	1.00	2.00
WPC103-4N4-V-AA	WP2C103-4N4-V-AA	954 (36/1, 45/7, 54/7)	954 (37,61) 1000 (37, 61, 91) 1033.5 (37, 61)	1	4.00	1.75	4.00	1.75	0.56	6.00	0.50	1.38	1.13	1.75
WPC103-4S4-V-AA	WP2C103-4S4-V-AA	954 (36/1, 45/7, 54/7)	954 (37,61) 1000 (37,61,91) 1033.5 (37,61)	1	4.00	1.75	4.00	1.75	0.69	6.00	0.50	1.38	1.00	2.00
WPC103-6N4-V-AA	WP2C103-6N4-V-AA	954 (36/1, 45/7, 54/7)	954 (37,61) 1000 (37, 61, 91) 1033.5 (37, 61)	2	6.00	1.75	4.00	1.75	0.56	6.00	0.50	1.38	1.13	1.75
WPC111-4N4-V-AA	WP2C111-4N4-V-AA	1033.5 (36/1, 45/7, 54/7)	1100 (91,127) 1113 (61)	1	4.00	1.75	4.00	-	0.56	6.00	0.50	1.38	1.13	1.75
WPC111-4S4-V-AA	WP2C111-4S4-V-AA	1033.5 (36/1, 45/7, 54/7)	1100 (91,127) 1113 (61)	1	4.00	1.75	4.00	-	0.69	6.00	0.50	1.38	1.00	2.00
WPC127R-4N4-V-AA	WP2C127R-4N4-V-AA	-	1272 MCM ROPELAY	1	4.00	2.00	4.00	2.25	0.56	6.25	0.75	1.75	1.13	1.75
WPC127R-4S4-V-AA	WP2C127R-4S4-V-AA	-	1272 MCM ROPELAY	1	4.00	2.00	4.00	2.25	0.69	6.25	0.69	1.56	1.00	2.00
WPC135-4N4-V-AA	WP2C135-4N4-V-AA	1113 (45/7, 54/19) 1192.5 (45/7, 54/19)	1192.5 (61) 1200 (91,127) 1250 (91,127) 1271 (61) 1300 (91, 127) 1351.5 (61)	1	4.00	2.00	4.00	2.00	0.56	6.25	0.63	1.63	1.13	1.75
WPC135-4S4-V-AA	WP2C135-4S4-V-AA	1113 (45/7, 54/19) 1192.5 (45/7, 54/19)	1192.5 (61) 1200 (91,127) 1250 (91,127) 1271 (61) 1300 (91, 127) 1351.5 (61)	1	4.00	2.00	4.00	2.25	0.69	6.25	0.56	1.50	1.00	2.00
WPC151-4N4-V-AA	WP2C151-4N4-V-AA	1272 (45/7, 54/19) 1351 (45/7, 54/19)	1400 (91,127) 1431 (61) 1500 (91,127) 1510.5 (61)	1	4.00	2.00	4.00	2.25	0.56	6.25	0.69	1.69	1.13	1.75
WPC151-4S4-V-AA	WP2C151-4S4-V-AA	1272 (45/7, 54/19) 1351 (45/7, 54/19)	1400 (91,127) 1431 (61) 1500 (91,127) 1510.5 (61)	1	4.00	2.00	4.00	2.25	0.69	6.25	0.69	1.69	1.00	2.00

## DOSSERT®

### TYPE WPC-N-V-AA, WP2C-N-V-AA (cont.)

#### Welded Terminal Connector

#### Ordering Information

CATALOG NUMBER		CABLE RANGE		PAD DETAIL	DIMENSIONS IN INCHES									
		ACSR	ALUMINUM		A	B	C	F	H	L	T	W	X	Y
WPC170-4N4-V-AA	WP2C170-4N4-V-AA	1431 (45/7, 54/19) 1510.5 (45/7, 54/19)	1590 (61) 1600 (127, 169) 1700 (127, 169)	1	4.00	2.00	4.00	2.25	0.56	6.50	0.69	1.69	1.13	1.75
WPC170-4S4-V-AA	WP2C170-4S4-V-AA	1431 (45/7, 54/19) 1510.5 (45/7, 54/19)	1590 (61) 1600 (127, 169) 1700 (127, 169)	1	4.00	2.00	4.00	2.25	0.69	6.50	0.69	1.69	1.00	2.00
WPC170-6N4-V-AA	WP2C170-6N4-V-AA	1431 (45/7, 54/19) 1510.5 (45/7, 54/19)	1590 (61) 1600 (127, 169) 1700 (127, 169)	2	6.00	2.00	4.00	2.25	0.56	6.50	0.69	1.69	1.13	1.75
WPC190-4N4-V-AA	WP2C190-4N4-V-AA	1590 (45/7, 54/19) 1780 (84/19)	1750 (127, 169) 1800 (127, 169) 1900 (127, 169)	1	4.00	2.25	4.00	2.25	0.56	6.50	0.69	1.75	1.13	1.75
WPC190-6N4-V-AA	WP2C190-6N4-V-AA	1590 (45/7, 54/19) 1780 (84/19)	1750 (127, 169) 1800 (127, 169) 1900 (127, 169)	2	6.00	2.25	4.00	2.25	0.56	6.63	0.88	2.25	1.13	1.75
WPC190-4S4-V-AA	WP2C190-4S4-V-AA	1590 (45/7, 54/19) 1780 (84/19)	1750 (127, 169) 1800 (127, 169) 1900 (127, 169)	1	4.00	2.25	4.00	2.25	0.69	6.50	0.69	1.75	1.00	2.00
WPC225-4N4-V-AA	WP2C225-4N4-V-AA	2167 (72/7)	2000 (91, 127, 169) 2250 (91)	1	4.00	2.25	4.00	2.38	0.56	6.50	0.75	1.88	1.13	1.75
WPC225-6N4-V-AA	WP2C225-6N4-V-AA	2167 (72/7)	2000 (91, 127, 169) 2250 (91)	2	6.00	2.25	4.00	2.38	0.56	6.50	0.75	1.88	1.13	1.75
WPC225-4S4-V-AA	WP2C225-4S4-V-AA	2167 (72/7)	2000 (91, 127, 169) 2250 (91)	1	4.00	2.25	4.00	2.38	0.69	6.50	0.75	1.88	1.00	2.00
WPC240R-4N4-V-AA	WP2C240R-4N4-V-AA	-	2.40 DIA.	1	4.00	2.75	4.00	-	0.56	6.25	1.00	2.50	1.13	1.75
WPC240R-4S4-V-AA	WP2C240R-4S4-V-AA	-	2.40 DIA.	1	4.00	2.75	4.00	-	0.69	6.25	1.00	2.50	1.00	2.50
WPC250-4N4-V-AA	WP2C250-4N4-V-AA	2156 (84/19)	2500 (91, 127, 169) 2493 (ACAR)	1	4.00	2.25	4.00	2.63	0.56	6.50	0.75	1.94	1.13	1.75
WPC250-4S4-V-AA	WP2C250-4S4-V-AA	2156 (84/19)	2500 (91, 127, 169) 2493 (ACAR)	1	4.00	2.25	4.00	2.63	0.69	6.50	0.75	1.94	1.00	2.00
WPC300-4N4-V-AA	WP2C300-4N4-V-AA	-	2750 (91) 3000 (127, 169)	1	4.00	2.25	4.00	-	0.56	6.88	0.88	2.13	1.13	1.75
WPC300-4S4-V-AA	WP2C300-4S4-V-AA	-	2750 (91) 3000 (127, 169)	1	4.00	2.25	4.00	-	0.69	6.88	0.88	2.13	1.00	2.00

345/500 kV  
Terminal Connectors

## DOSSERT® TYPE WPCA-45-V-AA, WP2CA-45-V-AA

### Welded 45 Degree Cable Terminal

Cable terminal at 45° is designed to be corona free for 345 kV and 500 kV service.

#### Material

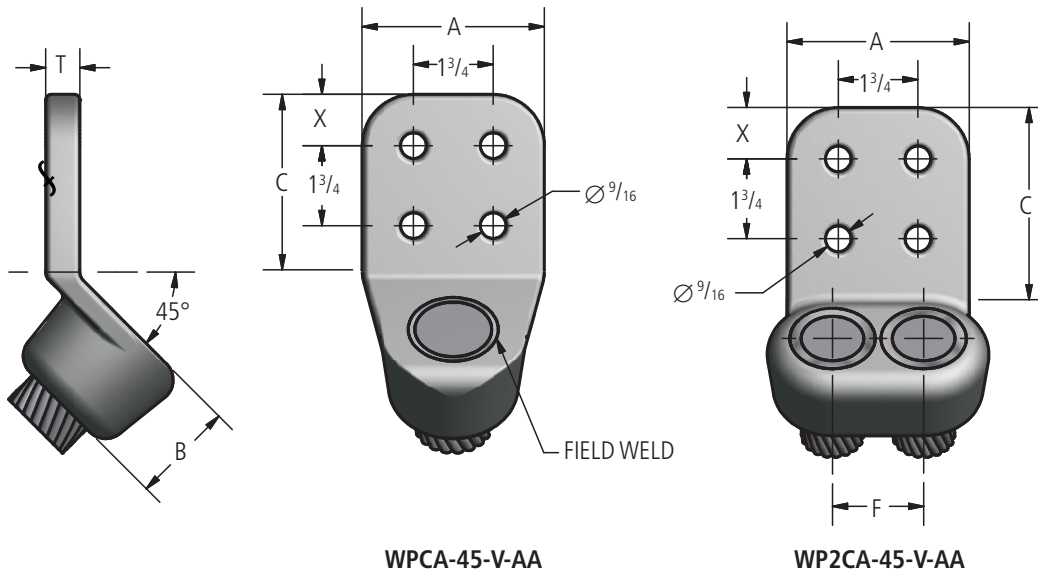
Aluminum Alloy



WPCA-45-V-AA



WP2CA-45-V-AA



WPCA-45-V-AA

WP2CA-45-V-AA

### Ordering Information

CATALOG NUMBER		CABLE RANGE		DIMENSIONS IN INCHES					
		ALUMINUM	ACSR	A	B	C	F	T	X
WPCA65-4N-45-V-AA	WP2CA65-4N-45-V-AA	600 (37,61,91) 636 (37) 650 (37,61,91)	556.5 (18/1,24/7,26/7) 636 (36/1, 18/1)	3	1 1/2	3	1 5/8	1/2	5/8
WPCA65-4N4-45-V-AA	WP2CA65-4N4-45-V-AA	600 (37,61,91) 636 (37) 650 (37,61,91)	556.5 (18/1,24/7,26/7) 636 (36/1, 18/1)	4	1 1/2	4	1 5/8	1/2	1 1/8
WPCA71-4N-45-V-AA	WP2CA71-4N-45-V-AA	650 (37,61,91) 700 (37,61,91) 715.5 (37,61)	636 (24/7, 26/7) 605 (24/7, 26/7, 30/19)	3	1 1/2	3	1 5/8	1/2	5/8
WPCA71-4N4-45-V-AA	WP2CA71-4N4-45-V-AA	650 (37,61,91) 700 (37,61,91) 715.5 (37,61)	636 (24/7, 26/7) 605 (24/7, 26/7, 30/19)	4	1 1/2	4	1 5/8	1/2	1 1/8
WPCA80-4N-45-V-AA	WP2CA80-4N-45-V-AA	750 (37,61,91) 795 (37,61) 800 (61,91)	636 (30/19) 666.6 (24/7, 26/7) 715.5 (24/7)	3	1 1/2	3	1 5/8	1/2	5/8
WPCA80-4N4-45-V-AA	WP2CA80-4N4-45-V-AA	750 (37,61,91) 795 (37,61) 800 (61,91)	636 (30/19) 666.6 (24/7, 26/7) 715.5 (24/7)	4	1 1/2	4	1 5/8	1/2	1 1/8
WPCA90-4N-45-V-AA	WP2CA90-4N-45-V-AA	800 (61,91) 874.5 (37,61) 900 (37,61,91)	715.5 (30/19) 795 (36/1, 45/7, 24/7, 54/7)	3	1 1/2	3	1 5/8	1/2	5/8
WPCA90-4N4-45-V-AA	WP2CA90-4N4-45-V-AA	800 (61,91) 874.5 (37,61) 900 (37,61,91)	715.5 (30/19) 795 (36/1, 45/7, 24/7, 54/7)	4	1 1/2	4	1 5/8	1/2	1 1/8

## DOSSERT®

### TYPE WPCA-45-V-AA, WP2CA-45-V-AA (cont.)

#### Welded 45 Degree Cable Terminal

#### Ordering Information

CATALOG NUMBER		CABLE RANGE		DIMENSIONS IN INCHES					
		ALUMINUM	ACSR	A	B	C	F	T	X
WPCA95-4N-45-V-AA	WP2CA95-4N-45-V-AA	900 (37,61,91) 954 (37,61)	795 (30/19) 874.5 (34/7) 900 (45/7, 54/7)	3	1 3/4	3	1 5/8	1/2	5/8
WPCA95-4N4-45-V-AA	WP2CA95-4N4-45-V-AA	900 (37,61,91) 954 (37,61)	795 (30/19) 874.5 (34/7) 900 (45/7, 54/7)	4	1 3/4	4	1 5/8	1/2	1 1/8
WPCA103-4N-45-V-AA	WP2CA103-4N-45-V-AA	954 (37,61) 1000 (37,61,91) 1033.5 (37,61)	954 (36/1, 45/7, 54/7)	3	1 3/4	3	1 3/4	1/2	5/8
WPCA103-4N4-45-V-AA	WP2CA103-4N4-45-V-AA	954 (37,61) 1000 (37,61,91) 1033.5 (37,61)	954 (36/1, 45/7, 54/7)	4	1 3/4	4	1 3/4	1/2	1 1/8
WPCA111-4N-45-V-AA	WP2CA111-4N-45-V-AA	1100 (91,127) 1113 (61)	1033.5 (36/1, 45/7, 54/7)	3	1 3/4	3	1 7/8	1/2	5/8
WPCA111-4N4-45-V-AA	WP2CA111-4N4-45-V-AA	1100 (91,127) 1113 (61)	1033.5 (36/1, 45/7, 54/7)	4	1 3/4	4	1 7/8	1/2	1 1/8
WPCA135-4N-45-V-AA	WP2CA135-4N-45-V-AA	1192.5 (61) 1200 (91,127) 1250 (91,127) 1272 (61) 1300 (91,127) 1351.5 (61)	1113 (45/7, 54/19) 1192.5 (45/7, 54/19)	3	2	3	2 1/4	11/16	5/8
WPCA135-4N4-45-V-AA	WP2CA135-4N4-45-V-AA	1192.5 (61) 1200 (91,127) 1250 (91,127) 1272 (61) 1300 (91,127) 1351.5 (61)	1113 (45/7, 54/19) 1192.5 (45/7, 54/19)	4	2	4	2 1/4	11/16	1 1/8
WPCA151-4N-45-V-AA	WP2CA151-4N-45-V-AA	1400 (91,127) 1431 (61) 1500 (91,127) 1510.5 (61)	1272 (45/7, 54/19) 1351.5 (45/7, 54/19)	3	2	3	2 1/4	11/16	5/8
WPCA151-4N4-45-V-AA	WP2CA151-4N4-45-V-AA	1400 (91,127) 1431 (61) 1500 (91,127) 1510.5 (61)	1272 (45/7, 54/19) 1351.5 (45/7, 54/19)	4	2	4	2 1/4	11/16	1 1/8
WPCA170-4N-45-V-AA	WP2CA170-4N-45-V-AA	1590 (61) 1600 (127, 169) 1700 (127,169)	1431 (45/7, 54/19) 1510.5 (45/7, 54/19)	3	2	3	2 1/4	11/16	5/8
WPCA170-4N4-45-V-AA	WP2CA170-4N4-45-V-AA	1590 (61) 1600 (127, 169) 1700 (127,169)	1431 (45/7, 54/19) 1510.5 (45/7, 54/19)	4	2 1/4	4	2 1/4	3/4	1 1/8
WPCA190-4N-45-V-AA	WP2CA190-4N-45-V-AA	1750 (127,169) 1800 (127,169) 1900 (127,169)	1590 (45/7, 54/19) 1780 (85/19)	3	2 1/4	3	2 1/4	11/16	5/8
WPCA190-4N4-45-V-AA	WP2CA190-4N4-45-V-AA	1750 (127,169) 1800 (127,169) 1900 (127,169)	1590 (45/7, 54/19) 1780 (85/19)	4	2 1/4	4	2 1/4	11/16	1 1/8
WPCA225-4N-45-V-AA	WP2CA225-4N-45-V-AA	2000 (91,127,169) 2250 (91)	2167 (72/7)	3	2 1/4	3	2 1/4	3/4	5/8
WPCA225-4N4-45-V-AA	WP2CA225-4N4-45-V-AA	2000 (91,127,169) 2250 (91)	2167 (72/7)	4	2 1/4	4	2 1/4	3/4	1 1/8
WPCA250-4N-45-V-AA	WP2CA250-4N-45-V-AA	2500 (91,127,169)	2156 (84,19)	3	2 1/4	3	2 1/2	3/4	5/8
WPCA250-4N4-45-V-AA	WP2CA250-4N4-45-V-AA	2500 (91,127,169)	2156 (84,19)	4	2 1/4	4	2 1/2	3/4	1 1/8
WPCA300-4N-45-V-AA	WP2CA300-4N-45-V-AA	2750 (91) 3000 (127,169)	-	3	2 1/4	3	2 3/4	7/8	5/8
WPCA300-4N4-45-V-AA	WP2CA300-4N4-45-V-AA	2750 (91) 3000 (127,169)	-	4	2 1/4	4	2 3/4	7/8	1 1/8

## DOSSERT® TYPE 34200E-EHV

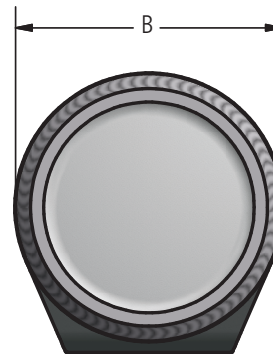
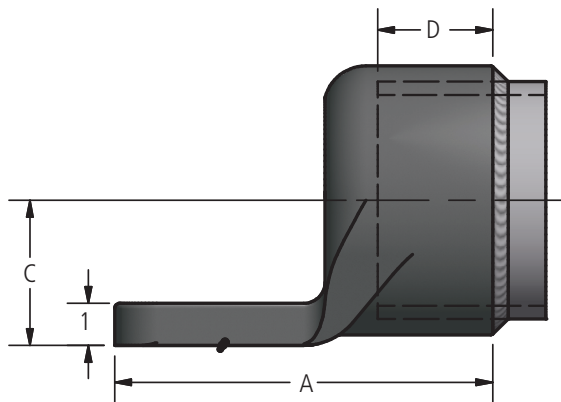
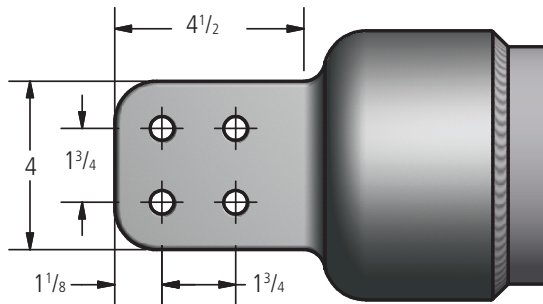
### Terminal Connector, Welded, Offset

Terminal is designed to be corona free for 345 kV and 500 kV service when pad covers are used to shield terminal hardware. Pad covers are not supplied with terminal; see catalog 4040 EHV pad covers on page 514. Aluminum terminal can be connected to aluminum or copper terminals.



### Material

Aluminum Alloy



### Ordering Information

CATALOG NUMBER	SPS & EPHS	DIMENSIONS IN INCHES			
		A	B	C	D
34208EEHV	3	7.62	4.12	2.62	1.75
34209EEHV	3 1/2	8.19	4.69	2.94	2.00
34210EEHV	4	8.44	5.19	3.25	2.25
34212EEHV	5	9.00	6.38	3.44	2.75
34213EEHV	6	9.50	7.56	4.25	3.25

## DOSSERT® TYPE 34300-EHV

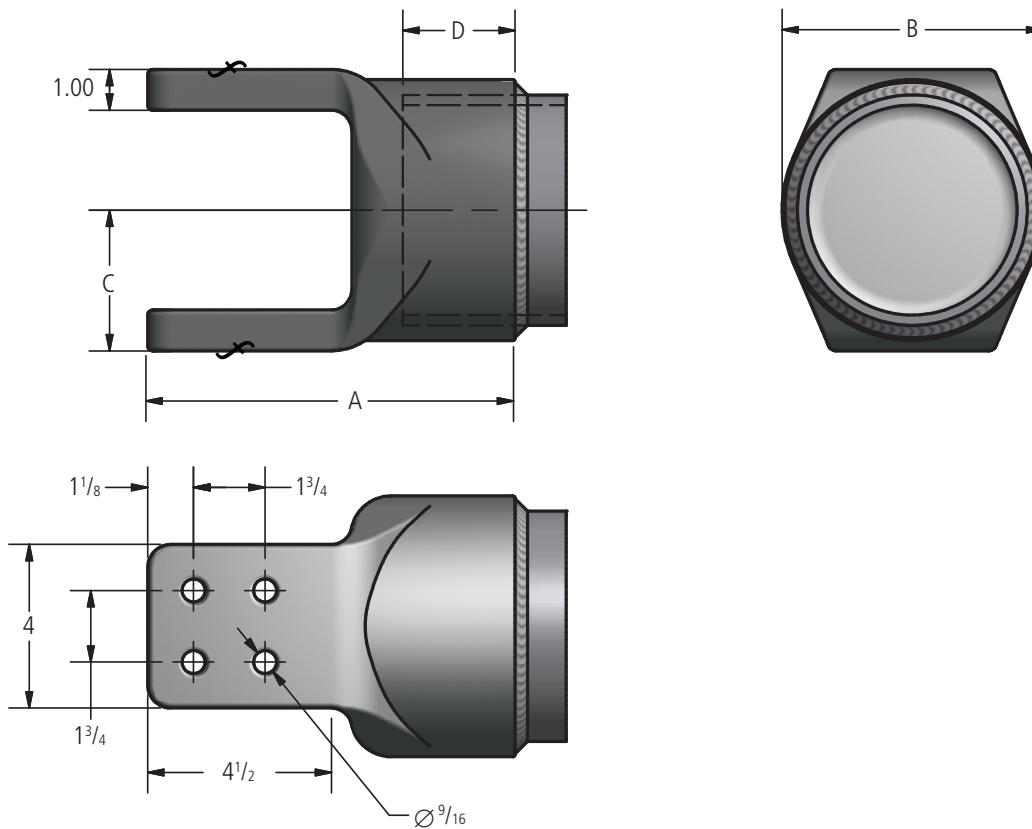
### Tube to Flat

Double terminal is designed to be corona free for 345 kV and 500 kV service when pad covers are used to shield terminal hardware.



### Material

Aluminum Alloy



### Ordering Information

CATALOG NUMBER	CONDUCTOR SIZE SCH40 & SCH80	DIMENSIONS IN INCHES			
		A	B	C	D
34308EEHV	3	7.62	4.12	2.62	1.75
34309EEHV	3 1/2	8.19	4.69	2.94	2.00
34310EEHV	4	8.44	5.19	3.25	2.25
34312EEHV	5	9.00	6.38	3.44	2.75
34313EEHV	6	9.50	7.56	4.25	3.25



## DOSSERT® TYPE APTV-N-V-AA

### Terminal Connector

Expands one NEMA pad to two NEMA pads. Designed for 500 kV service. Useful for connecting twin lines.

### Material

Aluminum Alloy

### Notes

- For hardware shield, add "-CSBV" to catalog number order: APTV4N4-18-V-AA-CSBV.
- For mounting hardware, add "-TMH" and bolt length to catalog number order: APTV4N4-18-V-AA-TMH2-1/4

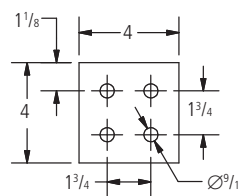
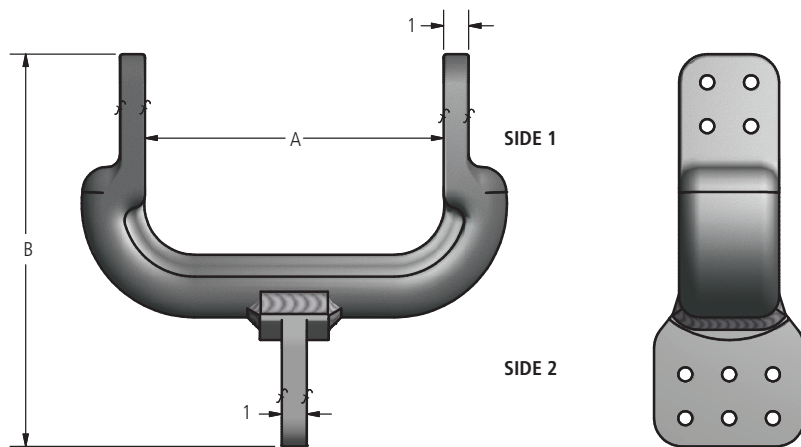
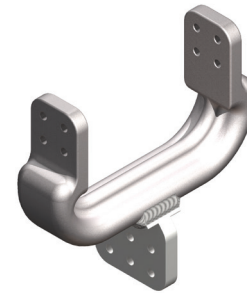


FIG 1

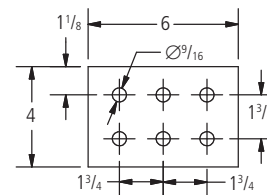


FIG 2

### Ordering Information

CATALOG NUMBER	FIGURE NUMBER		DIMENSIONS IN INCHES	
	SIDE 1	SIDE 2	A	B
APTV-4N4-6-V-AA	1	1	6	15
APTV-4N4-8-V-AA	1	1	8	15
APTV-4N4-10-V-AA	1	1	10	15
APTV-4N4-12-V-AA	1	1	12	15
APTV-4N4-6N4-8-V-AA	1	2	8	15.66
APTV-4N4-6N4-12-V-AA	1	2	12	15.63
APTV-4N4-14-V-AA	1	1	14	15
APTV-4N4-16-V-AA	1	1	16	15
APTV-4N4-18-V-AA	1	1	18	15

## DOSSERT® TYPE APT-V-AA

### Terminal Connector

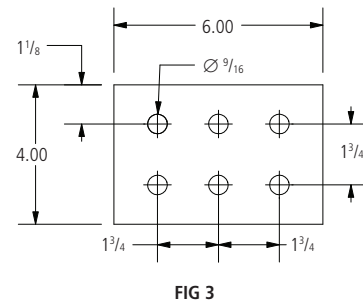
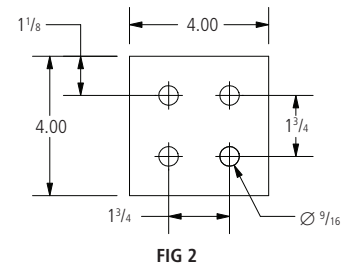
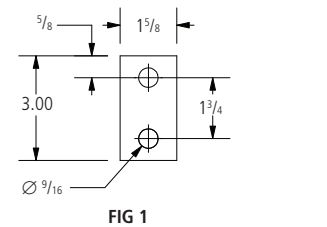
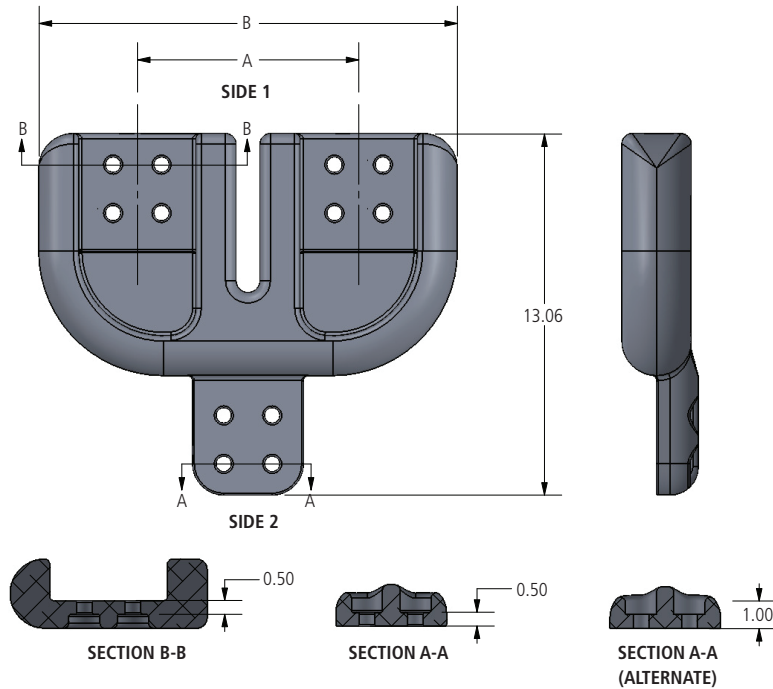
Expands one NEMA pad to two NEMA pads. Designed for 500 kV service. Useful for connecting twin lines.

### Material

Aluminum Alloy

### Notes

- For Mounting Hardware, add "-TMH" to catalog number. EX: APT6N4-18-V-AA-TMH
- For Hardware Shield, add "-CSBV" to catalog number. EX: APT6N4-18-V-AA-CSBV
- For Stainless Steel bolts, lockwashers and Everdur nuts, add "-SSHBN" to catalog number. EX: APT6N4-18-V-AA-SSHBN



### Ordering Information

CATALOG NUMBER	FIGURE NUMBER		SECTION A-A	DIMENSIONS IN INCHES	
	SIDE 1	SIDE 2		A	B
APT2N4-8-V-AA	1	2	—	8.00	15.13
APT4N4-8-V-AA	2	2	—	8.00	15.13
APT4N4-12-V-AA	2	2	—	12.00	19.13
APT4N4-18-V-AA	2	2	—	18.00	25.13
APT4N4-6N4-8-V-AA	2	3	ALTERNATE	8.00	15.13
APT4N4-6N4-12-V-AA	2	3	—	12.00	19.13
APT4N4-6N4-18-V-AA	2	3	ALTERNATE	18.00	25.13
APT6N4-18-V-AA	3	3	—	18.00	27.13

## DOSSERT® TYPE TWTC-N-8-V-AA

### Three-Way Terminal Connector

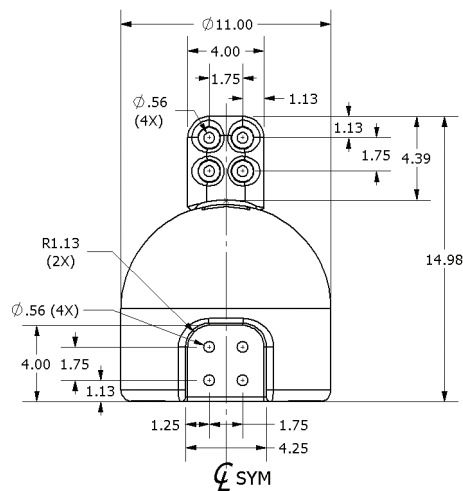
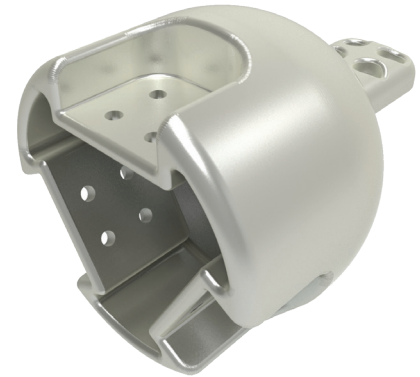
Connects one four-hole or six-hole terminal to three four-hole terminals. 3600 amps at 30° rise over 40° ambient; 3848 amps at 40° rise over 40° ambient; 4082 amps at 50° rise over 40° ambient. Designed for 500 kV service.

#### Material

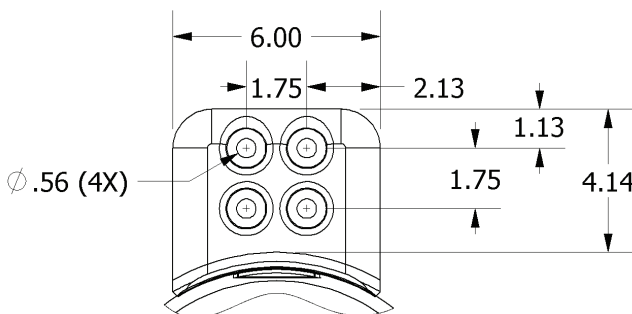
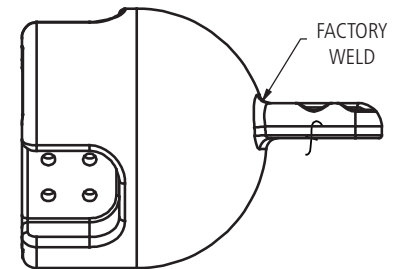
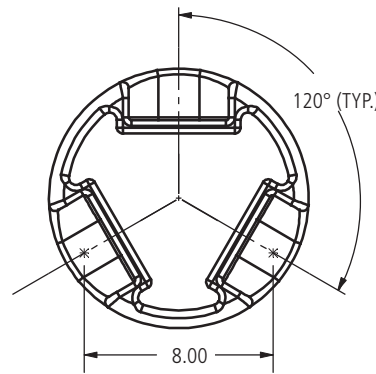
Aluminum Alloy

#### Ordering Information

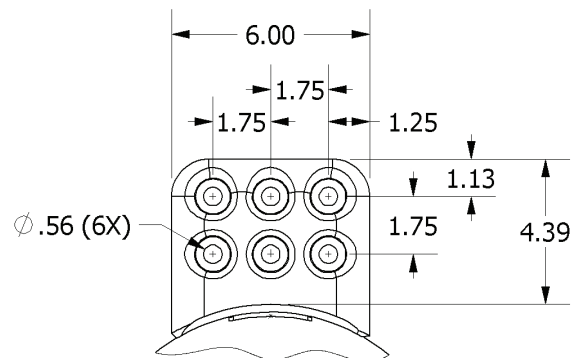
Customer to order by catalog number TWTC4N4-8-V-AA, TWTC4N6-8-V-AA, or TWTC6N4-8-V-AA.



TWTC4N4-8-V-AA



TWTC4N6-8-V-AA



TWTC6N4-8-V-AA

## DOSSERT®

### TYPE 34994E-EHV, 34995E-EHV

Bi-conductor and tri-conductor terminal is designed to be corona free for 345 kV and 500 kV service. Aluminum terminal can be connected to aluminum or copper terminals; pad conforms to NEMA standards. Bi-conductor and tri-conductor terminal is furnished as a complete assembly consisting of Bi-conductor and Tri-conductor terminals, two 90° EHV compression terminals and necessary aluminum hardware. Weights shown do not include compression terminals.

#### Material

Aluminum Alloy

#### Hardware

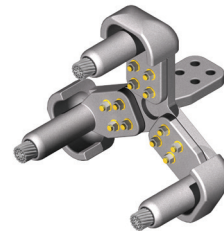
Yellow anodized aluminum nuts, bolts, and lockwashers.

#### Notes

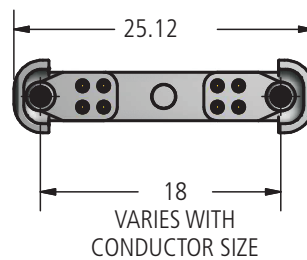
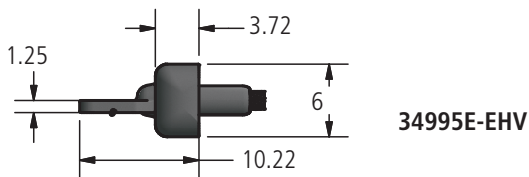
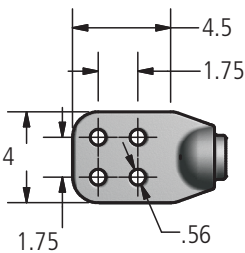
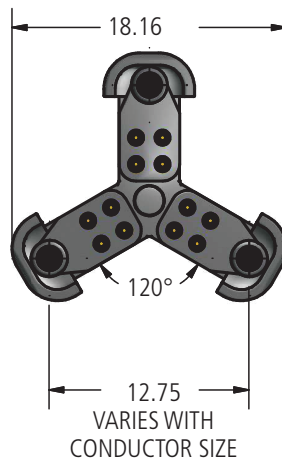
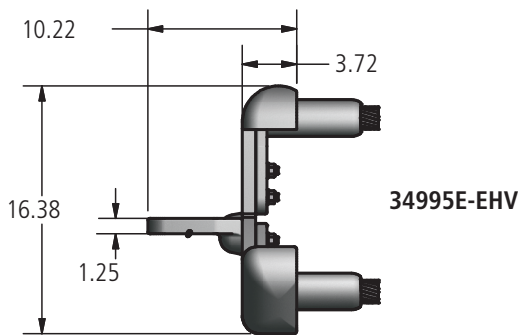
For conductor adapters without terminals, do not include Die Size or Bore Code in part number. Example: for a Tri-conductor adapter to E pad, order: 34995EEHV.



34994E-EHV



34995E-EHV



345/500 kV – Terminal Conn.

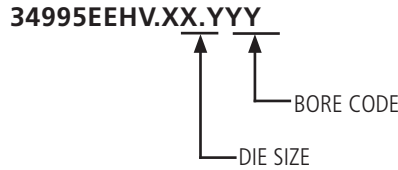


**DOSSERT®**

**TYPE 34994E-EHV, 34995E-EHV**

**Ordering Information**

CATALOG NUMBER	NOMINAL WEIGHT
	LBS
34994EEHV.XX.YYY	13.8
34995EEHV.XX.YYY	16.0



CODE	CONDUCTOR				DIE SIZE ALUMINUM HEX DIE
	ACSR OR AAC	SIZE KCMIL	STRANDING AL/ST	DIAMETER IN INCHES	
30.109	ACSR	715.5	24/7	1.036	30AH
	ACSR	715.5	26/7	1.051	
	ACSR	795	36/1	1.040	
	AAC	795	37	1.026	
	AAC	795	61	1.028	
	AAC	800	37	1.031	
	AAC	800	61	1.031	
30.116	ACSR	715.5	30/19	1.081	30AH
	ACSR	795	45/7	1.063	
	ACSR	795	54/7	1.093	
	ACSR	795	26/7	1.108	
	ACSR	795	24/7	1.092	
	AAC	900	61	1.094	
30.122	ACSR	795	30/19	1.140	30AH
	ACSR	900	45/7	1.131	
	ACSR	900	54/7	1.162	
	ACSR	954	36/1	1.140	
	ACSR	954	45/7	1.165	
	AAC	954	37	1.124	
	AAC	954	61	1.126	
	AAC	1000	61	1.152	
	AAC	1033.5	37	1.170	
	AAC	1033.5	61	1.172	
30.125	ACSR	954	54/7	1.196	30AH
	ACSR	1033.5	36/1	1.186	
34.128	ACSR	1033.5	45/7	1.212	34AH
	AAC	1113	61	1.216	
34.134	ACSR	1033.5	54/7	1.244	34AH
	ACSR	1113	45/7	1.259	
	AAC	1192.5	61	1.258	
	AAC	1272	61	1.300	
34.138	ACSR	1192.5	45/7	1.302	34AH
	ACSR	1113	54/19	1.293	

345/500 kV – Terminal Conn.



**DOSSERT®**

**TYPE 34994E-EHV, 34995E-EHV**

345/500 kV – Terminal Conn.

CODE	CONDUCTOR				DIE SIZE ALUMINUM HEX DIE
	ACSR OR AAC	SIZE KCMIL	STRANDING AL/ST	DIAMETER IN INCHES	
36.144	ACSR	1272	45/7	1.345	36AH
	ACSR	1192.5	54/19	1.333	
	AAC	1351	61	1.340	
	AAC	1431	61	1.379	
36.147	ACSR	1272	54/19	1.382	36AH
	ACSR	1351.5	45/7	1.386	
	ACSR	1500	91	1.412	
	AAC	1510.5	61	1.187	
38.150	ACSR	1351.5	54/19	1.424	38AH
	ACSR	1431	45/7	1.427	
38.156	ACSR	1431	54/19	1.465	38AH
	ACSR	1510.5	45/7	1.466	
	AAC	1590	61	1.250	
	AAC	1590	91	1.454	
40.162	ACSR	1510.5	54/19	1.506	40AH
	ACSR	1590	45/7	1.504	
	ACSR	1590	54/19	1.545	
	AAC	1750	61	1.525	
42.178	ACSR	1780	84/19	1.602	42AH
	ACSR	2034	72/7	1.681	
	AAC	2000	91	1.630	
44.181	ACSR	2167	72/7	1.737	44AH
	AAC	2250	91	1.729	
	AAC	2300	61	1.750	
	AAC	2300	91	1.750	
44.184	ACSR	2156	84/19	1.762	44AH
44.188	ACSR	2312	76/19	1.802	44AH
	AAC	2500	91	1.823	
48.197	ACSR	2515	76/19	1.880	48AH
	AAC	2750	91	1.912	

## DOSSERT® TYPE 34999E-EHV

### Compression Terminal Connector (Three Cables to Flat)

Tri-conductor terminal is designed to be corona free for 345 kV and 500 kV service. Aluminum terminal can be connected to aluminum or copper terminals, pad conforms to NEMA standards. Tri-conductor terminal is furnished as complete assembly consisting of tri-conductor terminal, three 90° EHV compression terminals and necessary aluminum hardware. Complete assembly is ordered by specifying catalog number and size of stranded conductor.

#### Material

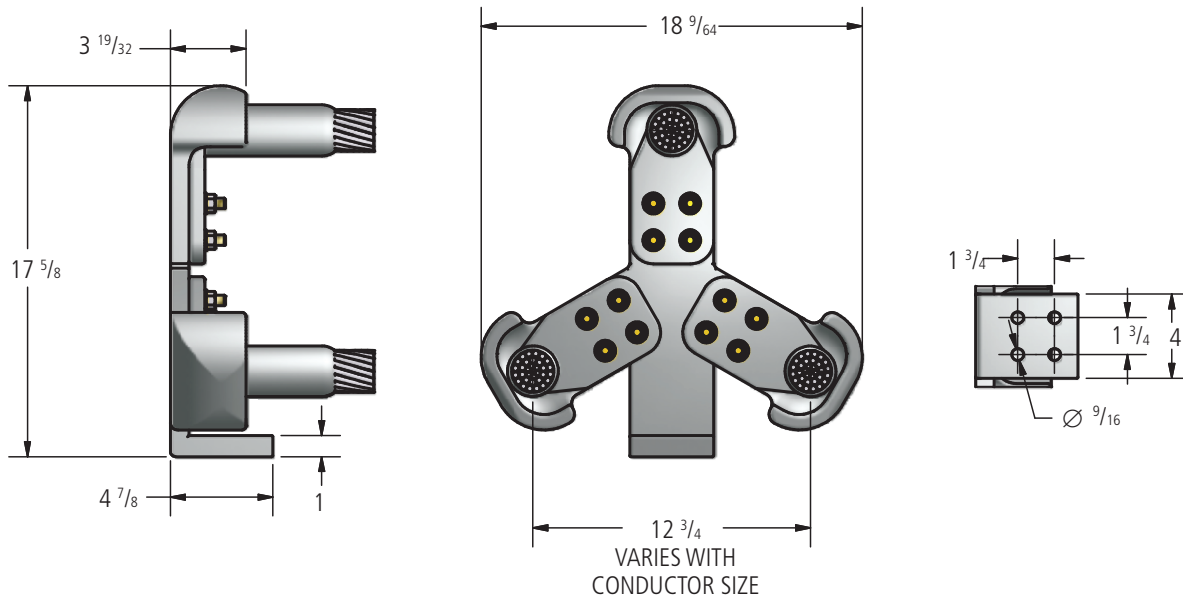
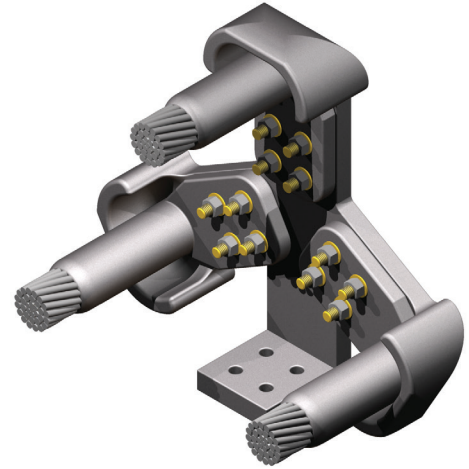
Aluminum Alloy

#### Hardware

Yellow anodized aluminum nuts, bolts, and lockwashers.

#### Notes

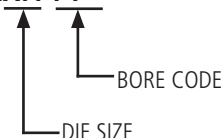
For conductor adapters without terminals, do not include Die Size or Bore Code in part number. Example: for a Tri-conductor adapter to E pad, ORDER: 34995EEHV.



#### Ordering Information

CATALOG NUMBER	NOMINAL WEIGHT
	LBS
34999E-EHV-XX-YYY	16

34999EEHV.XX.YYY





**DOSSERT®**

**TYPE 34999E-EHV**

**Compression Terminal Connector (Three Cables to Flat)**

345/500 kV – Terminal Conn.

CODE	CONDUCTOR				DIE SIZE ALUMINUM HEX DIE
	ACSR OR AAC	SIZE KCMIL	STRANDING AL/ST	DIAMETER IN INCHES	
30.109	ACSR	715.5	24/7	1.036	30AH
	ACSR	715.5	26/7	1.051	
	ACSR	795	36/1	1.040	
	AAC	795	37	1.026	
	AAC	795	61	1.028	
	AAC	800	37	1.031	
	AAC	800	61	1.031	
30.116	ACSR	715.5	30/19	1.081	30AH
	ACSR	795	45/7	1.063	
	ACSR	795	54/7	1.093	
	ACSR	795	26/7	1.108	
	ACSR	795	24/7	1.092	
	AAC	900	61	1.094	
30.122	ACSR	795	30/19	1.140	30AH
	ACSR	900	45/7	1.131	
	ACSR	900	54/7	1.162	
	ACSR	954	36/1	1.140	
	ACSR	954	45/7	1.165	
	AAC	954	37	1.124	
	AAC	954	61	1.126	
	AAC	1000	61	1.152	
	AAC	1033.5	37	1.170	
AAC	1033.5	61	1.172		
30.125	ACSR	954	54/7	1.196	30AH
	ACSR	1033.5	36/1	1.186	
34.128	ACSR	1033.5	45/7	1.212	34AH
	AAC	1113	61	1.216	
34.134	ACSR	1033.5	54/7	1.244	34AH
	ACSR	1113	45/7	1.259	
	AAC	1192.5	61	1.258	
	AAC	1272	61	1.300	
34.138	ACSR	1192.5	45/7	1.302	34AH
	ACSR	1113	54/19	1.293	
36.144	ACSR	1272	45/7	1.345	36AH
	ACSR	1192.5	54/19	1.333	
	AAC	1351	61	1.340	
	AAC	1431	61	1.379	





**DOSSERT®**

**TYPE 34999E-EHV**

**Compression Terminal Connector (Three Cables to Flat)**

345/500 kV – Terminal Conn.

CODE	CONDUCTOR				DIE SIZE ALUMINUM HEX DIE
	ACSR OR AAC	SIZE KCMIL	STRANDING AL/ST	DIAMETER IN INCHES	
36.147	ACSR	1272	54/19	1.382	36AH
	ACSR	1351.5	45/7	1.386	
	ACSR	1500	91	1.412	
	AAC	1510.5	61	1.187	
38.150	ACSR	1351.5	54/19	1.424	38AH
	ACSR	1431	45/7	1.427	
38.156	ACSR	1431	54/19	1.465	38AH
	ACSR	1510.5	45/7	1.466	
	AAC	1590	61	1.250	
	AAC	1590	91	1.454	
40.162	ACSR	1510.5	54/19	1.506	40AH
	ACSR	1590	45/7	1.504	
	ACSR	1590	54/19	1.545	
	AAC	1750	61	1.525	
42.178	ACSR	1780	84/19	1.602	42AH
	ACSR	2034	72/7	1.681	
	AAC	2000	91	1.630	
44.181	ACSR	2167	72/7	1.737	44AH
	AAC	2250	91	1.729	
	AAC	2300	61	1.750	
	AAC	2300	91	1.750	
44.184	ACSR	2156	84/19	1.762	44AH
44.188	ACSR	2312	76/19	1.802	44AH
	AAC	2500	91	1.823	
48.197	ACSR	2515	76/19	1.880	48AH
	AAC	2750	91	1.912	

## DOSSERT® TYPE 33900, 34000

### Rope Lay Expansion Terminal

Expansion terminal is designed to be corona free for 500 kV service. Aluminum terminal can be connected to aluminum or copper terminals. Terminal pad conforms to NEMA standards. Rope lay expansion member provides for 1.75" of expansion or contraction. Dimension "B" shown in table includes 2.25", "D" Dimension noted in general information section.

### Material

Aluminum Alloy



33900E-EHV



34000E-EHV

34000 SERIES  
CENTER FORMED TERMINAL

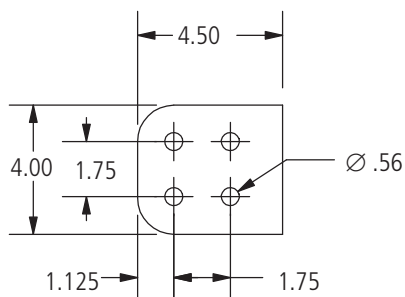
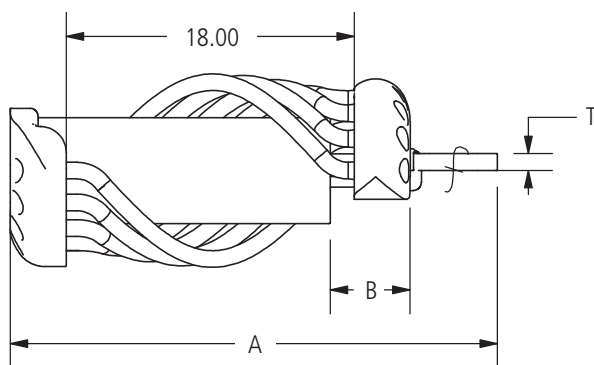


FIG. 1

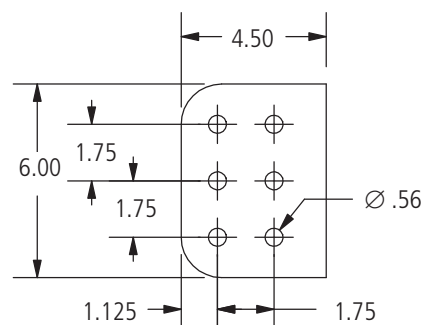


FIG. 2

33900 SERIES  
OFFSET TERMINAL

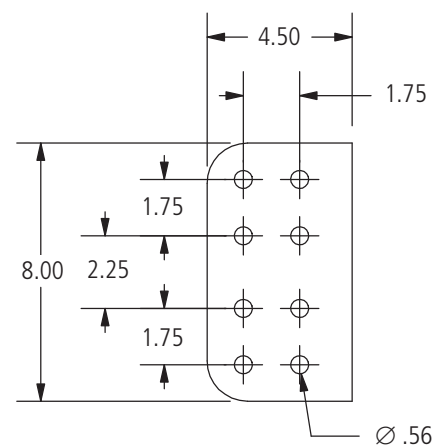
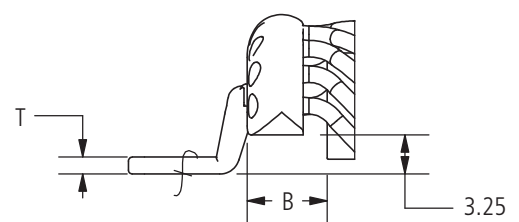


FIG. 3

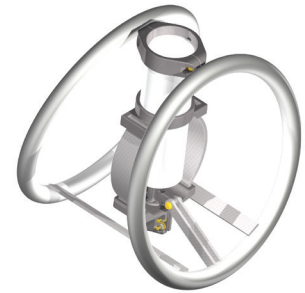
## DOSSERT® TYPE 33900, 34000 INLINE

### Ordering Information

CATALOG NUMBER		CONDUCTOR SIZE	DIMENSIONS IN INCHES			FIG. NO.	NOMINAL WEIGHT IN LBS	
OFFSET TERMINAL	CENTER FORM TERMINAL		A	B	T		OFFSET TERMINAL	CENTER FORM TERMINAL
-	34008EEHV	3 SPS	30.59	3.75	1.00	1	-	26.1
-	34028EEHV	3 EHPS	30.59	3.75	1.00	1	-	26.0
-	34009EEHV	3 1/2 SPS	31.25	3.75	1.00	1	-	26.6
-	34029EEHV	3 1/2 EHPS	31.25	3.75	1.00	1	-	26.5
33910EEHV	34010EEHV	4 SPS	31.06	3.75	1.00	1	28.2	27.5
	34010GEHV	4 SPS	31.06	3.75	1.00	2	-	28.4
33930EEHV	34030EEHV	4 EHPS	31.06	3.75	1.00	1	28.1	27.4
33912EEHV	34012EEHV	5 SPS	31.06	3.75	1.00	1	26.3	26.6
33912GEHV	34012GEHV	5 SPS	31.06	3.75	1.00	2	26.3	26.6
33932EEHV	34032EEHV	5 EHPS	31.06	3.75	1.00	1	27.9	26.8
	34032GEHV	5 EHPS	31.97	3.75	1.13	2	-	28.5
-	34013EEHV	6 SPS	30.81	4.00	1.00	1	-	36.2
-	34013GEHV	6 SPS	30.81	4.00	1.13	2	-	39.7
-	34033EEHV	6 EHPS	32.09	4.00	1.00	1	-	36.1
-	34033-8N4-EHV	6 EHPS	30.81	4.00	1.00	3	-	37.2

## DOSSERT® TYPE 38900-EHV

Expansion stud connector is designed to be corona free for 345 kV and 500 kV service. Laminated straps provide for 1.75" (44.5mm) expansion or contraction. Stainless steel static eliminator springs are supplied for slip fit end of corona ring assembly. Dimension "D" shown in illustration is for installation temperature of 68°F (20°C); for other installation temperatures, see Index/General Info section.

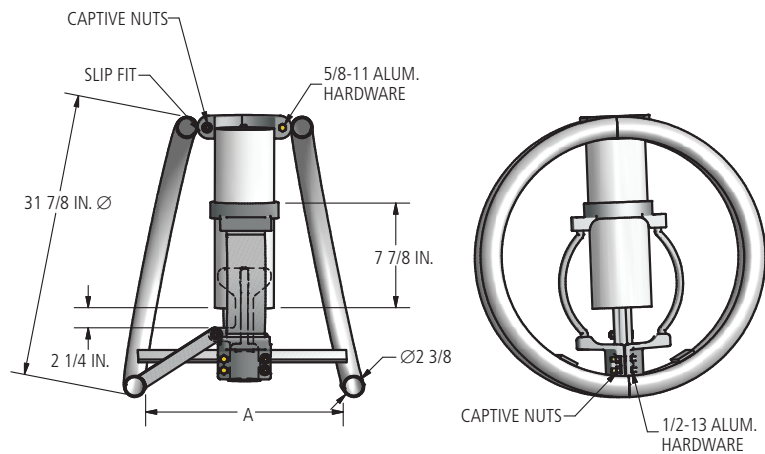


### Material

Aluminum Alloy

### Hardware

Yellow anodized aluminum nuts, bolts, and lockwashers.



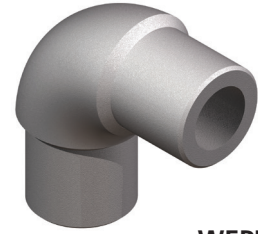
### Ordering Information

CONDUCTOR SIZE	STUD SIZE		CATALOG NUMBERS		DIMENSIONS IN INCHES		NOMINAL WEIGHT
	DIAMETER IN INCHES	THREADS PER INCH	17" DIA. DOME	22" DIA. DOME	A		
					17" DIA. DOME	22" DIA. DOME	
3 SPS	1 1/8	12	38908.11 EHV	38928.11 EHV	18.62	22.12	36.2
3 1/2 SPS	1 1/8	12	38909.11 EHV	38929.11 EHV	18.62	22.12	37.2
4 SPS	1 1/8	12	38910.11 EHV	38930.11 EHV	18.62	22.12	41.9
3 SPS	1 1/2	12	38908.14 EHV	38928.14 EHV	18.62	22.12	38.2
3 1/2 SPS	1 1/2	12	38909.14 EHV	38929.14 EHV	18.62	22.12	39.2
4 SPS	1 1/2	12	38910.14 EHV	38930.14 EHV	18.62	22.12	43.9
5 SPS	1 1/2	12	38912.14 EHV	38932.14 EHV	18.62	22.12	48.1
4 SPS	2	12	38910.20 EHV	38930.20 EHV	18.62	22.12	46.1
4 EHPS	2	12	38920.20 EHV	38940.20 EHV	18.62	22.12	46.0
5 SPS	2	12	38912.20 EHV	38932.20 EHV	18.62	22.12	50.3
5 EHPS	2	12	38922.20 EHV	38942.20 EHV	18.62	22.12	50.2
6 SPS	2	12	38913.20 EHV	38933.20 EHV	18.62	22.12	55.4
6 EHPS	2	12	38923.20 EHV	38943.20 EHV	18.62	22.12	55.3
4 SPS	2 1/2	12	38910.24 EHV	38930.24 EHV	18.62	22.12	47.2
4 EHPS	2 1/2	12	38920.24 EHV	38940.24 EHV	18.62	22.12	47.1
5 SPS	2 1/2	12	38912.24 EHV	38932.24 EHV	18.62	22.12	51.4
5 EHPS	2 1/2	12	38922.24 EHV	38942.24 EHV	18.62	22.12	51.3
6 SPS	2 1/2	12	38913.24 EHV	38933.24 EHV	18.62	22.12	56.5
6 EHPS	2 1/2	12	38923.24 EHV	38943.24 EHV	18.62	22.12	56.4

## DOSSERT® TYPE WEPI-AA, WEPI-30-AA, WEPI-45-AA, WEPI-60-AA

### Aluminum Welded Pipe Elbow

Welded elbows offer an economical method for field fabrication where angular turns are required. Designed for 500 kV service. Elbows are designed with chamfer to provide ease of welding.



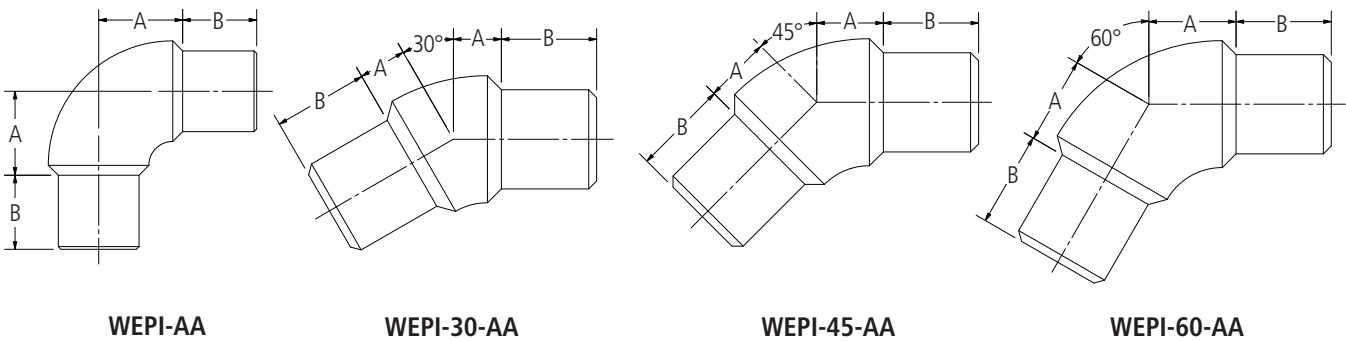
WEPI-AA

### Material

Aluminum Alloy

### Notes

- For a 30°, add '-30'; for a 45°, add '-45'; and for a 60°, add '-60' to catalog number. Ex: WEPI75-45-AA
- For Schedule 80, add 'E' to pipe size. Ex: WEPI75E-AA



### Ordering Information

S.P.S.	CATALOG NO.	ANGLE	DIMENSION IN INCHES		E.H.P.S.	CATALOG NO.	ANGLE	DIMENSION IN INCHES	
	SCHEDULE 40		A	B		SCHEDULE 80		A	B
3/4	WEPI75-AA	90°	1.11	0.75	3/4	WEPI75E-AA	90°	1.00	0.75
3/4	WEPI75-30-AA	30°	0.38	0.75	—	—	—	—	—
3/4	WEPI75-45-AA	45°	0.52	0.75	3/4	WEPI75E-45-AA	45°	0.56	0.75
3/4	WEPI75-60-AA	60°	0.69	0.75	—	—	—	—	—
1	WEPI100-AA	90°	1.19	0.75	1	WEPI100E-AA	90°	1.23	0.75
1	WEPI100-30-AA	30°	0.44	0.75	1	WEPI100E-30-AA	30°	0.48	0.75
1	WEPI100-45-AA	45°	0.58	0.75	1	WEPI100E-45-AA	45°	0.63	0.75
1	WEPI100-60-AA	60°	0.75	0.75	1	WEPI100E-60-AA	60°	0.80	0.75
1 1/4	WEPI125-AA	90°	1.38	1.00	1 1/4	WEPI125E-AA	90°	1.42	1.00
1 1/4	WEPI125-30-AA	30°	0.50	1.00	1 1/4	WEPI125E-30-AA	30°	0.56	1.00
1 1/4	WEPI125-45-AA	45°	0.68	1.00	1 1/4	WEPI125E-45-AA	45°	0.73	1.00
1 1/4	WEPI125-60-AA	60°	0.87	1.00	1 1/4	WEPI125E-60-AA	60°	0.92	1.00
1 1/2	WEPI150-AA	90°	1.57	1.00	1 1/2	WEPI150E-AA	90°	1.63	1.00
1 1/2	WEPI150-30-AA	30°	0.56	1.00	1 1/2	WEPI150E-30-AA	30°	0.63	1.00
1 1/2	WEPI150-45-AA	45°	0.76	1.00	1 1/2	WEPI150E-45-AA	45°	0.83	1.00
1 1/2	WEPI150-60-AA	60°	0.99	1.00	1 1/2	WEPI150E-60-AA	60°	1.05	1.00

## DOSSERT®

### TYPE WEPI-AA, WEPI-30-AA, WEPI-45-AA, WEPI-60-AA

#### Aluminum Welded Pipe Elbow

#### Ordering Information

S.P.S.	CATALOG NO.	ANGLE	DIMENSION IN INCHES		E.H.P.S.	CATALOG NO.	ANGLE	DIMENSION IN INCHES	
	SCHEDULE 40		A	B		SCHEDULE 80		A	B
2	WEPI200-AA	90°	1.92	1.75	2	WEPI200E-AA	90°	1.98	1.75
2	WEPI200-30-AA	30°	0.64	1.75	2	WEPI200E-30-AA	30°	0.70	1.75
2	WEPI200-45-AA	45°	0.89	1.75	2	WEPI200E-45-AA	45°	0.96	1.75
2	WEPI200-60-AA	60°	1.17	1.75	2	WEPI200E-60-AA	60°	1.24	1.75
2 1/2	WEPI250-AA	90°	2.51	1.75	2 1/2	WEPI250E-AA	90°	2.54	1.75
2 1/2	WEPI250-30-AA	30°	0.78	1.75	2 1/2	WEPI250E-30-AA	30°	0.84	1.75
2 1/2	WEPI250-45-AA	45°	1.08	1.75	2 1/2	WEPI250E-45-AA	45°	1.14	1.75
2 1/2	WEPI250-60-AA	60°	1.42	1.75	2 1/2	WEPI250E-60-AA	60°	1.46	1.75
3	WEPI300-AA	90°	2.52	1.75	3	WEPI300E-AA	90°	2.56	1.75
3	WEPI300-30-AA	30°	0.89	1.75	3	WEPI300E-30-AA	30°	0.96	1.75
3	WEPI300-45-AA	45°	1.23	1.75	3	WEPI300E-45-AA	45°	1.31	1.75
3	WEPI300-60-AA	60°	1.52	1.75	3	WEPI300E-60-AA	60°	1.56	1.75
3 1/2	WEPI350-AA	90°	2.87	1.75	3 1/2	WEPI350E-AA	90°	2.96	1.75
3 1/2	WEPI350-30-AA	30°	0.95	1.75	3 1/2	WEPI350E-30-AA	30°	1.04	1.75
3 1/2	WEPI350-45-AA	45°	1.33	1.75	3 1/2	WEPI350E-45-AA	45°	1.42	1.75
3 1/2	WEPI350-60-AA	60°	1.76	1.75	3 1/2	WEPI350E-60-AA	60°	1.85	1.75
4	WEPI400-AA	90°	3.02	2.06	4	WEPI400E-AA	90°	3.08	2.06
4	WEPI400-30-AA	30°	1.12	2.00	4	WEPI400E-30-AA	30°	1.23	2.00
4	WEPI400-45-AA	45°	1.60	2.00	4	WEPI400E-45-AA	45°	1.70	2.00
4	WEPI400-60-AA	60°	1.81	2.06	4	WEPI400E-60-AA	60°	1.87	2.06
5	WEPI500-AA	90°	3.82	2.44	5	WEPI500E-AA	90°	3.94	2.44
5	WEPI500-30-AA	30°	1.24	2.44	5	WEPI500E-30-AA	30°	1.35	2.44
5	WEPI500-45-AA	45°	1.75	2.44	5	WEPI500E-45-AA	45°	1.87	2.44
5	WEPI500-60-AA	60°	2.33	2.44	5	WEPI500E-60-AA	60°	2.45	2.44
6	WEPI600-AA	90°	4.31	2.75	6	WEPI600E-AA	90°	4.38	2.75
6	WEPI600-30-AA	30°	1.29	2.75	6	WEPI600E-30-AA	30°	1.36	2.75
6	WEPI600-45-AA	45°	1.89	2.75	6	WEPI600E-45-AA	45°	1.97	2.75
6	WEPI600-60-AA	60°	2.57	2.75	6	WEPI600E-60-AA	60°	2.64	2.75
8	WEPI800-AA	90°	5.64	1.00	—	—	—	—	—
8" O.D.	WEPI800R-AA	90°	5.50	2.00	—	—	—	—	—
8" O.D.	WEPI800R-30-AA	30°	1.88	2.00	—	—	—	—	—
8" O.D.	WEPI800R-60-AA	60°	3.38	2.00	—	—	—	—	—

## DOSSERT® TYPE 35400, 35500

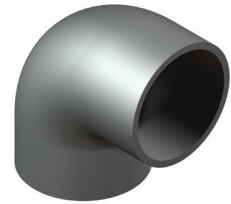
Weld Elbows are designed to be corona free for 345 kV and 500 kV service. Elbow is designed to be welded on outside of pipe allowing use on both schedule 40 and schedule 80 pipe. Socket design allows for slight inaccuracies in field cut length of pipe.

### Material

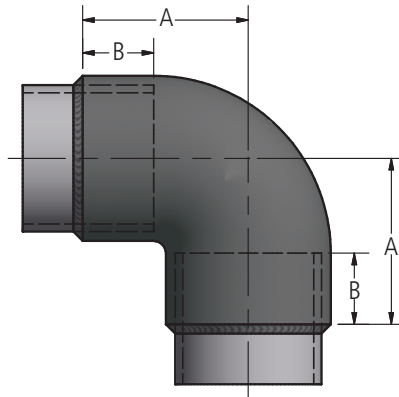
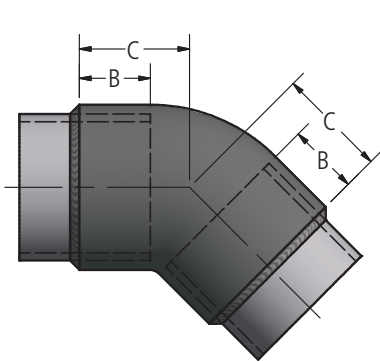
Aluminum Alloy



35400



35500



### Ordering Information

CATALOG NUMBER		CONDUCTOR SIZE SPS/EPHS	DIMENSIONS IN INCHES			NOMINAL WEIGHT LBS	
45 DEG	90 DEG		A	B	C	45 DEG	90 DEG
35408EHV	35508EHV	3	4.16	1.75	2.75	1.8	2.4
35409EHV	35509EHV	3 1/2	4.72	2.00	3.12	2.6	3.6
35410EHV	35510EHV	4	5.28	2.25	3.50	3.6	4.8
35412EHV	35512EHV	5	6.44	2.75	4.28	5.8	7.8
35413EHV	35513EHV	6	7.59	3.25	5.05	9.4	12.8

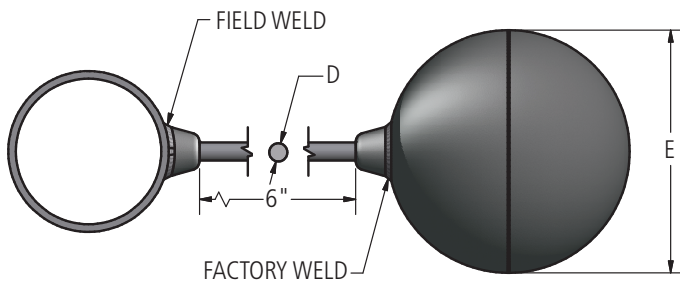
## DOSSERT® TYPE WGPHV-AA

### Ground Jumper

Welded ground stud is designed to be corona free for 345 kV and 500 kV service. Design of ground studs is such that then can be welded to 3" through 6" SPS pipe size.

### Material

Aluminum Alloy



### Ordering Information

CATALOG NUMBER	SPS / EHPS	DIMENSIONS IN INCHES	
		D	E
WGPHV250-AA	2 1/2	3/4	8
WGPHV300-AA	3	3/4	8
WGPHV300-12-AA	3	3/4	12
WGPHV350-AA	3.5	3/4	8
WGPHV400-AA	4	3/4	8
WGPHV400-10-AA	4	3/4	10
WGPHV400-12-R87-AA	4	7/8	12
WGPHV500-AA	5	3/4	10
WGPHV500-10-AA	5	3/4	12
WGPHV500-R81-AA	5	13/16	10
WGPHV600-AA	6	3/4	10
WGPHV600-12-AA	6	3/4	12
WGPHV600-R81-AA	6	13/16	10
WGPHV800-AA	8	3/4	13
WGPHV800R-AA	8 O.D.	3/4	13



## DOSSERT® TYPE 34600-EHV

Bolted ground stud is designed to be corona free for 345 kV and 500 kV service as noted in table. Bolted design provides ease of removal for future expansion or relocation.

### Material

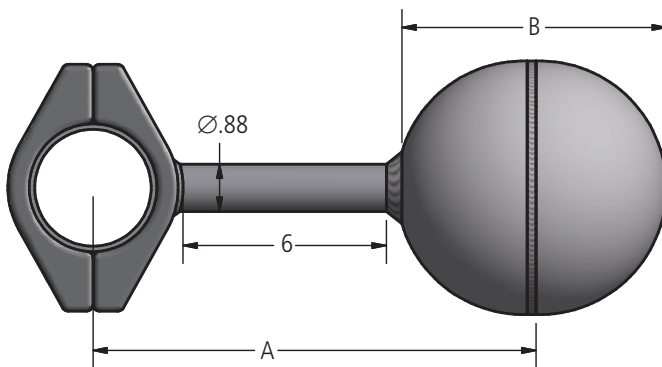
Aluminum Alloy

### Hardware

Yellow anodized aluminum bolts, nuts, and lockwashers.

### Notes

- For Stainless Steel bolts, lockwashers and Everdur nuts, add "-SSHBN" to catalog number. EX: 34668EHV-SSHBN



### Ordering Information

CATALOG NUMBER	SPS / EHPS	DIMENSIONS IN INCHES		NOMINAL WEIGHT LBS
		A	B	
<b>345 KV</b>				
34668 EHV	3	16.31	7.06	5.2
34669 EHV	3 1/2	16.56	7.06	5.3
34670 EHV	4	16.81	7.06	5.5
34672 EHV	5	17.34	7.06	5.8
34673 EHV	6	17.87	7.06	6.4
<b>500 KV</b>				
34688 EHV	3	21.25	12	13.3
34689 EHV	3 1/2	21.50	12	13.4
34690 EHV	4	21.75	12	13.6
34692 EHV	5	22.28	12	13.9
34693 EHV	6	22.81	12	14.5

## DOSSERT® TYPE 34650-EHV

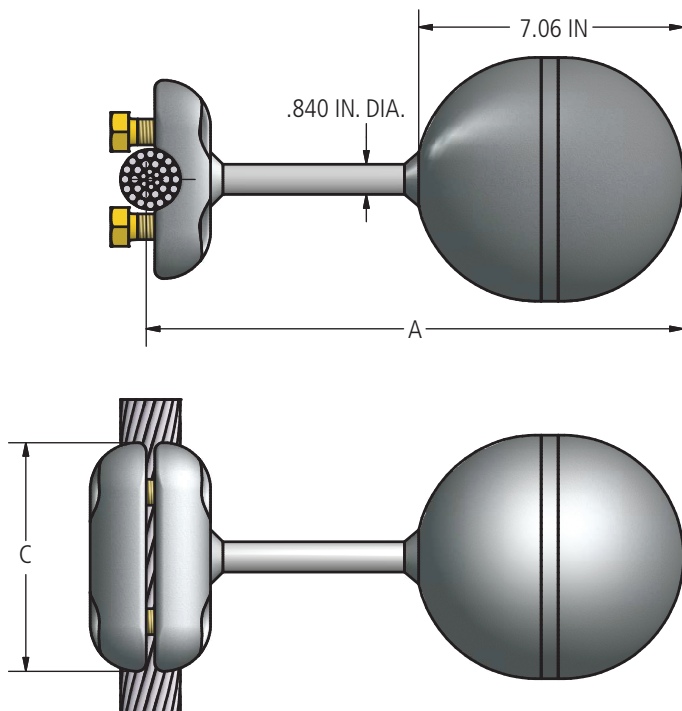
Bolted conductor ground stud is designed to have better corona characteristics than the conductor on which it is installed. Designed for 500 kV service. Bolted design provides ease of removal for future expansion or relocation. Ground stud is ordered by specifying catalog number and conductor.

### Material

Aluminum Alloy

### Hardware

Yellow anodized aluminum bolts, nuts, and lockwashers.

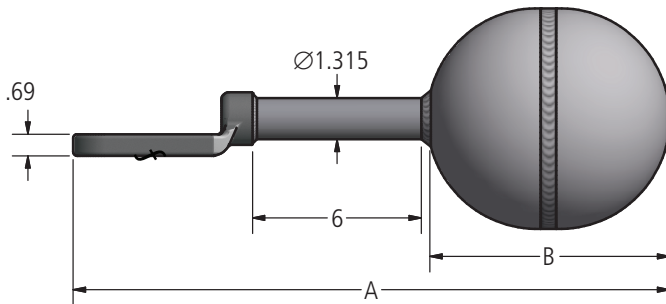
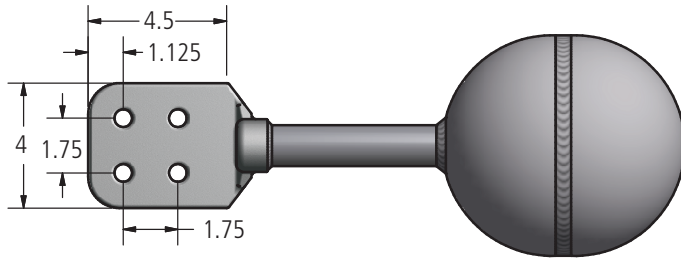


### Ordering Information

CATALOG NUMBER	MAX CONDUCTOR DIAMETER	DIMENSIONS IN INCHES			NOMINAL WEIGHT LBS
		A	C	BOLT SIZE	
34653EHV	1.226	15.25	5.00	5/8	7.8
34654EHV	1.475	15.38	5.50	5/8	8.8
34655EHV	1.850	15.75	5.75	3/4	13.3

## DOSSERT® TYPE 34620-EHV

Ground stud is designed to be corona free for 345 kV or 500 kV service, as noted in table, when pad covers are used to shield terminal hardware.

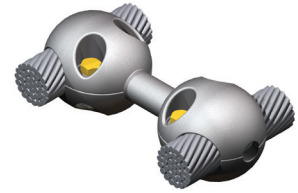


### Ordering Information

CATALOG NUMBER	DIMENSIONS IN INCHES		VOLTAGE RATING	NOMINAL WEIGHT LBS
	A	B		
34620EHV	21.50	7.06	345 kV	4.7
34625EHV	26.19	12.00	500 kV	13.6

## DOSSERT® TYPE 1800-REHV

Spacer is designed to be corona free for 500 kV service. Spacer is supplied with break-away head bolts to ensure correct installation.

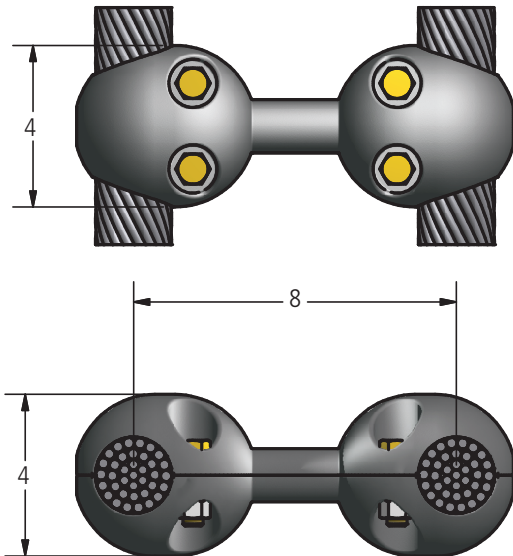


### Material

Aluminum Alloy

### Hardware

Yellow anodized aluminum nuts, bolts and lockwashers.



### Ordering Information

CATALOG NUMBER	CABLE RANGE			NOMINAL WEIGHT LBS
	DIAMETER	AAC	ACSR	
1800.08REHV	1.438 - 1.518	1590	1431 (54/19) - 1590 (45/7)	3.4
1801.08REHV	1.519 - 1.599	1750	1590 (54/19)	3.4
1802.08REHV	1.600 - 1.680	2000	1780 (84/19)	3.0
1803.08REHV	1.681 - 1.762	2250	2034 (72/7) - 2156 (84/19)	3.0
1804.08REHV	1.763 - 1.843	2500	2312 (76/19)	3.0

## DOSSERT® TYPE CAS-V-AA

### Cable Spacer for Two Cables

Spacer is designed to be corona free for 500 kV service. Spacer is supplied with break-away head bolts to ensure correct installation.

#### Material

Aluminum Alloy

#### Hardware

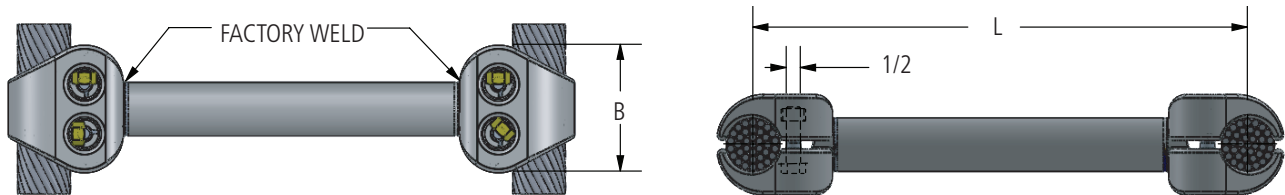
Yellow anodized aluminum nuts, bolts, lockwashers, and rubber retainers.

#### Notes

- For Stainless Steel bolts, lockwashers and Everdur nuts, add "-SSHBN" to catalog number. EX: CAS300-6-V-AA-SSHBN.
- For Grade Five Galvanized Steel Hardware, add "-GS5" to catalog number. EX: CAD300-6-V-AA-GS5.
- 6"-8" Spacing uses a solid cast body instead of welded tube.



345/500 kV  
Spacer Clamps



### Ordering Information

CATALOG NUMBER	CABLE RANGE			DIMENSIONS IN INCHES		NO. OF BOLTS
	MIN	MAX	ACSR	B	L	
CAS79-6-V-AA	750 MCM	795 MCM	636 (18/1; 24/7; 26/7)	2	6	2
CAS79-6.5-V-AA	750 MCM	795 MCM	636 (18/1; 24/7; 26/7)	2	6 1/2	2
CAS79-7-V-AA	750 MCM	795 MCM	636 (18/1; 24/7; 26/7)	2	7	2
CAS79-8-V-AA	750 MCM	795 MCM	636 (18/1; 24/7; 26/7)	2	8	2
CAS79-12-V-AA	750 MCM	795 MCM	636 (18/1; 24/7; 26/7)	2	12	2
CAS79-18-V-AA	750 MCM	795 MCM	636 (18/1; 24/7; 26/7)	2	18	2
CAS95-6-V-AA	800 MCM	954 MCM	795 (45/7; 24/7; 26/7)	2	6	2
CAS95-6.5-V-AA	800 MCM	954 MCM	795 (45/7; 24/7; 26/7)	2	6 1/2	2
CAS95-7-V-AA	800 MCM	954 MCM	795 (45/7; 24/7; 26/7)	2	7	2
CAS95-7.5-V-AA	800 MCM	954 MCM	795 (45/7; 24/7; 26/7)	2	7.5	2
CAS95-8-V-AA	800 MCM	954 MCM	795 (45/7; 24/7; 26/7)	2	8	2
CAS95-10-V-AA	800 MCM	954 MCM	795 (45/7; 24/7; 26/7)	2	10	2
CAS95-11-V-AA	800 MCM	954 MCM	795 (45/7; 24/7; 26/7)	2	11	2
CAS95-12-V-AA	800 MCM	954 MCM	795 (45/7; 24/7; 26/7)	2	12	2
CAS95-18-V-AA	800 MCM	954 MCM	795 (45/7; 24/7; 26/7)	2	18	2
CAS103-6-V-AA	1000 MCM	1033.5 MCM	954 (45/7; 54/7)	2	6	2
CAS103-8-V-AA	1000 MCM	1033.5 MCM	954 (45/7; 54/7)	2	8	2

## DOSSERT® TYPE CAS-V-AA

### Cable Spacer for Two Cables

#### Ordering Information (cont.)

CATALOG NUMBER	CABLE RANGE			DIMENSIONS IN INCHES		NO. OF BOLTS
	MIN	MAX	ACSR	B	L	
CAS103-9-V-AA	1000 MCM	1033.5 MCM	954 (45/7; 54/7)	2	9	2
CAS103-10-V-AA	1000 MCM	1033.5 MCM	954 (45/7; 54/7)	2	10	2
CAS103-12-V-AA	1000 MCM	1033.5 MCM	954 (45/7; 54/7)	2	12	2
CAS103-18-V-AA	1000 MCM	1033.5 MCM	954 (45/7; 54/7)	2	18	2
CAS127-6-V-AA	1113 MCM	1272 MCM	1033 (54/7), 1113 (45/7; 54/19)	4 1/2	6	4
CAS127-6.5-V-AA	1113 MCM	1272 MCM	1033 (54/7), 1113 (45/7; 54/19)	4 1/2	6 1/2	4
CAS127-8-V-AA	1113 MCM	1272 MCM	1033 (54/7) 1113 (45/7; 54/19)	4 1/2	8	4
CAS127-12-V-AA	1113 MCM	1272 MCM	1033 (54/7), 1113 (45/7; 54/19)	4 1/2	12	4
CAS127-16-V-AA	1113 MCM	1272 MCM	1033 (54/7), 1113 (45/7; 54/19)	4 1/2	16	4
CAS127-18-V-AA	1113 MCM	1272 MCM	1033 (54/7), 1113 (45/7; 54/19)	4 1/2	18	4
CAS143-6-V-AA	1300 MCM	1431 MCM	1272 (45/7; 54/19)	4 1/2	6	4
CAS143-6.5-V-AA	1300 MCM	1431 MCM	1272 (45/7; 54/19)	4 1/2	6 1/2	4
CAS143-8-V-AA	1300 MCM	1431 MCM	1272 (45/7; 54/19)	4 1/2	8	4
CAS143-12-V-AA	1300 MCM	1431 MCM	1272 (45/7; 54/19)	4 1/2	12	4
CAS143-13-V-AA	1300 MCM	1431 MCM	1272 (45/7; 54/19)	4 1/2	13	4
CAS143-18-V-AA	1300 MCM	1431 MCM	1272 (45/7; 54/19)	4 1/2	18	4
CAS160-6.5-V-AA	1500 MCM	1600 MCM, 1272 Rope L.	1431 (45/7; 54/19)	4 1/2	6 1/2	4
CAS160-8-V-AA	1500 MCM	1600 MCM, 1272 Rope L.	1431 (45/7; 54/19)	4 1/2	8	4
CAS160-9-V-AA	1500 MCM	1600 MCM, 1272 Rope L.	1431 (45/7; 54/19)	4 1/2	9	4
CAS160-11-V-AA	1500 MCM	1600 MCM, 1272 Rope L.	1431 (45/7; 54/19)	4 1/2	11	4
CAS160-12-V-AA	1500 MCM	1600 MCM, 1272 Rope L.	1431 (45/7; 54/19)	4 1/2	12	4
CAS160-18-V-AA	1500 MCM	1600 MCM, 1272 Rope L.	1431 (45/7; 54/19)	4 1/2	18	4
CAS180-6-V-AA	1700 MCM	1800 MCM	1590 (45/7; 54/19)	4 1/2	6	4
CAS180-7-V-AA	1700 MCM	1800 MCM	1590 (45/7; 54/19)	4 1/2	7	4
CAS180-8-V-AA	1700 MCM	1800 MCM	1590 (45/7; 54/19)	4 1/2	8	4
CAS180-11-V-AA	1700 MCM	1800 MCM	1590 (45/7; 54/19)	4 1/2	11	4
CAS180-12-V-AA	1700 MCM	1800 MCM	1590 (45/7; 54/19)	4 1/2	12	4
CAS180-18-V-AA	1700 MCM	1800 MCM	1590 (45/7; 54/19)	4 1/2	18	4
CAS205-6-V-AA	2000 MCM	2049 ACAR	1780 (84/19) 2034.5 (72/7)	4 1/2	6	4
CAS205-8-V-AA	2000 MCM	2049 ACAR	1780 (84/19) 2034.5 (72/7)	4 1/2	8	4
CAS205-12-V-AA	2000 MCM	2049 ACAR	1780 (84/19) 2034.5 (72/7)	4 1/2	12	4
CAS205-13-V-AA	2000 MCM	2049 ACAR	1780 (84/19) 2034.5 (72/7)	4 1/2	13	4
CAS205-15-V-AA	2000 MCM	2049 ACAR	1780 (84/19) 2034.5 (72/7)	4 1/2	15	4
CAS205-18-V-AA	2000 MCM	2049 ACAR	1780 (84/19) 2034.5 (72/7)	4 1/2	18	4
CAS205-24-V-AA	2000 MCM	2049 ACAR	1780 (84/19) 2034.5 (72/7)	4 1/2	24	4
CAS205-42-V-AA	2000 MCM	2049 ACAR	1780 (84/19) 2034.5 (72/7)	4 1/2	42	4

## DOSSERT® TYPE CAS-V-AA

Cable Spacer for Two Cables

### Ordering Information (cont.)

CATALOG NUMBER	CABLE RANGE			DIMENSIONS IN INCHES		NO. OF BOLTS
	MIN	MAX	ACSR	B	L	
CAS205-43-V-AA	2000 MCM	2049 ACAR	1780 (84/19) 2034.5 (72/7)	4 1/2	43	4
CAS250-6.5-V-AA	2250 MCM	2500 MCM	2156 (84/19) 2300 (96/19)	4 1/2	6 1/2	4
CAS250-8-V-AA	2250 MCM	2500 MCM	2156 (84/19) 2300 (96/19)	4 1/2	8	4
CAS250-10-V-AA	2250 MCM	2500 MCM	2156 (84/19) 2300 (96/19)	4 1/2	10	4
CAS250-12-V-AA	2250 MCM	2500 MCM	2156 (84/19) 2300 (96/19)	4 1/2	12	4
CAS250-13-V-AA	2250 MCM	2500 MCM	2156 (84/19) 2300 (96/19)	4 1/2	13	4
CAS250-15.5-V-AA	2250 MCM	2500 MCM	2156 (84/19) 2300 (96/19)	4 1/2	15 1/2	4
CAS250-18-V-AA	2250 MCM	2500 MCM	2156 (84/19) 2300 (96/19)	4 1/2	18	4
CAS275-8-V-AA	—	2750 MCM	2515 (76/19)	4 1/2	8	4
CAS275-13-V-AA	—	2750 MCM	2515 (76/19)	4 1/2	13	4
CAS275-18-V-AA	—	2750 MCM	2515 (76/19)	4 1/2	18	4
CAS300-8-V-AA	2750 MCM	3000 MCM	—	4 1/2	8	4
CAS300-18-V-AA	2750 MCM	3000 MCM	—	4 1/2	18	4
CAS300-20-V-AA	2750 MCM	3000 MCM	—	4 1/2	20	4
CAS350-6-V-AA	3500 MCM	3500 MCM	—	5 1/2	6	4
CAS350-8-V-AA	3500 MCM	3500 MCM	—	5 1/2	8	4
CAS350-13-V-AA	3500 MCM	3500 MCM	—	5 1/2	13	4

345/500 kV  
Spacer Clamps

## DOSSERT® TYPE CAS-N-V-AA, CAS-N-90-V-AA

### Cable Spacer for Two Cables with Four-Hole NEMA Tap

Spacer is designed to be corona free for 500 kV service. Spacer is supplied with break-away head bolts to ensure correct installation. Not for full load tap. For lightning arresters and other Metering taps.

#### Material

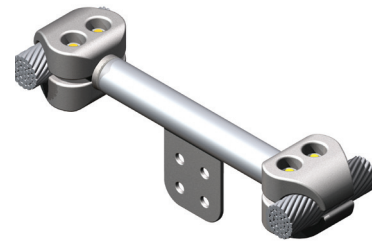
Aluminum Alloy

#### Hardware

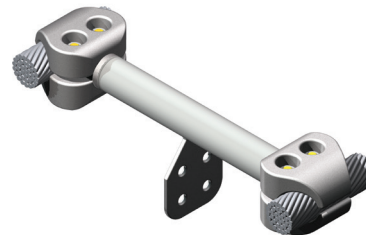
Aluminum bolts, lockwashers and nuts

#### Notes

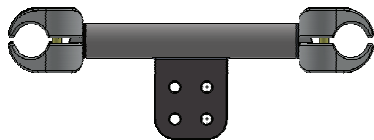
- For Stainless Steel bolts, lockwashers and nuts, add "-SSHBN" to catalog number.  
EX: CAS78-18-4N4-90-V-AA-SSHBN
- For a 90° terminal, add suffix "-90" to catalog number. EX: CAS79-18-4N4-90-V-AA



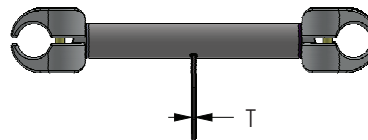
CAS-N-V-AA



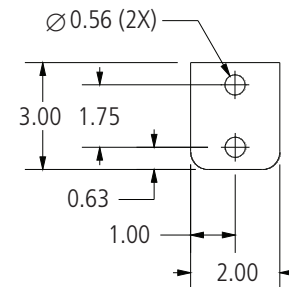
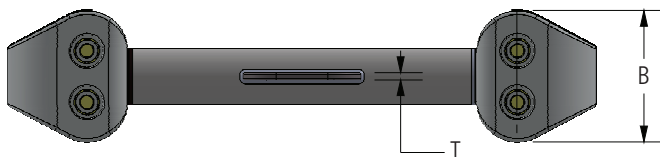
CAS-N-90-V-AA



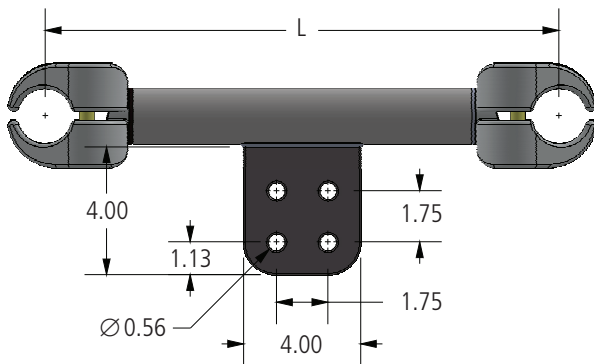
CAS-N-V-AA



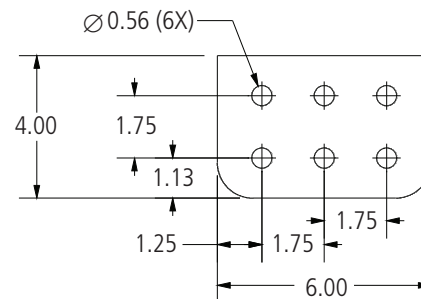
CAS-N-90-V-AA



2N PAD



4N4 PAD



6N4 PAD



## DOSSERT® TYPE CAS-N-V-AA, CAS-N-90-V-AA

Cable Spacer for Two Cables with Four-Hole NEMA Tap

### Ordering Information

CATALOG NUMBER		CABLE RANGE		DIMENSIONS IN INCHES			NO. OF BOLTS
		AAC RANGE	ACSR	B	L	T	
CAS79-6-4N4-V-AA	CAS79-6-4N4-90-V-AA	750 MCM - 795 MCM	636 (18/1)(24/7)(26/7)	2.00	6.00	0.50	2
CAS79-8-4N4-V-AA	CAS79-8-4N4-90-V-AA	750 MCM - 795 MCM	636 (18/1)(24/7)(26/7)	2.00	8.00	0.50	2
CAS79-10-4N4-V-AA	CAS79-10-4N4-90-V-AA	750 MCM - 795 MCM	636 (18/1)(24/7)(26/7)	2.00	10.00	0.50	2
CAS79-12-4N4-V-AA	CAS79-12-4N4-90-V-AA	750 MCM - 795 MCM	636 (18/1)(24/7)(26/7)	2.00	12.00	0.50	2
CAS79-18-4N4-V-AA	CAS79-18-4N4-90-V-AA	750 MCM - 795 MCM	636 (18/1)(24/7)(26/7)	2.00	18.00	0.50	2
CAS95-6-4N4-V-AA	CAS95-6-4N4-V-AA	800 MCM - 954 MCM	795 (47/7)( 24/7)( 26/7)	2.00	6.00	0.50	2
CAS95-8-2N-V-AA	CAS95-8-2N-90-V-AA	800 MCM - 954 MCM	795 (47/7)( 24/7)( 26/7)	2.00	8.00	0.50	2
CAS95-8-4N4-V-AA	CAS95-8-4N4-90-V-AA	800 MCM - 954 MCM	795 (47/7)( 24/7)( 26/7)	2.00	8.00	0.50	2
CAS95-10-4N4-V-AA	CAS95-10-4N4-90-V-AA	800 MCM - 954 MCM	795 (47/7)( 24/7)( 26/7)	2.00	10.00	0.50	2
CAS95-12-4N4-V-AA	CAS95-12-4N4-90-V-AA	800 MCM - 954 MCM	795 (47/7)( 24/7)( 26/7)	2.00	12.00	0.50	2
CAS95-18-4N4-V-AA	CAS95-18-4N4-90-V-AA	800 MCM - 954 MCM	795 (47/7)( 24/7)( 26/7)	2.00	18.00	0.50	2
CAS103-6-4N4-V-AA	CAS103-6-4N4-90-V-AA	1000 MCM - 1033.5 MCM	954 (45/7)(54/7)	2.00	6.00	0.50	2
CAS103-8-4N4-V-AA	CAS103-8-4N4-90-V-AA	1000 MCM - 1033.5 MCM	954 (45/7)(54/7)	2.00	8.00	0.50	2
CAS103-10-4N4-V-AA	CAS103-10-4N4-V-AA	1000 MCM - 1033.5 MCM	954 (45/7)(54/7)	2.00	10.00	0.50	2
CAS103-12-4N4-V-AA	CAS103-12-4N4-90-V-AA	1000 MCM - 1033.5 MCM	954 (45/7)(54/7)	2.00	12.00	0.50	2
CAS103-18-4N4-V-AA	CAS103-18-4N4-90-V-AA	1000 MCM - 1033.5 MCM	954 (45/7)(54/7)	2.00	18.00	0.50	2
CAS127-6-4N4-V-AA	CAS127-6-4N4-90-V-AA	1113 MCM - 1272 MCM	1033 (54/7), 1113 (45/7) (54/19)	4.50	6.00	0.75	4
CAS127-8-4N4-V-AA	CAS127-8-4N4-90-V-AA	1113 MCM - 1272 MCM	1033 (54/7), 1113 (45/7) (54/19)	4.50	8.00	0.75	4
CAS127-10-4N4-V-AA	CAS127-10-4N4-90-V-AA	1113 MCM - 1272 MCM	1033 (54/7), 1113 (45/7) (54/19)	4.50	10.00	0.75	4
CAS127-12-4N4-V-AA	CAS127-12-4N4-90-V-AA	1113 MCM - 1272 MCM	1033 (54/7), 1113 (45/7) (54/19)	4.50	12.00	0.75	4
CAS127-18-4N4-V-AA	CAS127-18-4N4-90-V-AA	1113 MCM - 1272 MCM	1033 (54/7), 1113 (45/7) (54/19)	4.50	18.00	0.75	4
CAS140-8-4N4-V-AA	CAS140-8-4N4-90-V-AA	1300 MCM-1400 MCM	1272 (45/7)(54/19)	4.50	8.00	0.75	4
CAS140-18-4N4-V-AA	CAS140-18-4N4-90-V-AA	1300 MCM-1400 MCM	1272 (45/7)(54/19)	4.50	18.00	0.75	4
CAS143-6-4N4-V-AA	CAS143-6-4N4-90-V-AA	1300 MCM - 1431 MCM	1272 (45/7)(54/19)	4.50	6.00	0.63	4
CAS143-8-4N4-V-AA	CAS143-8-4N4-90-V-AA	1300 MCM - 1431 MCM	1272 (45/7)(54/19)	4.50	8.00	0.75	4
CAS143-10-4N4-V-AA	CAS143-10-4N4-90-V-AA	1300 MCM - 1431 MCM	1272 (45/7)(54/19)	4.50	10.00	0.75	4
CAS143-12-4N4-V-AA	CAS143-12-4N4-90-V-AA	1300 MCM - 1431 MCM	1272 (45/7)(54/19)	4.50	12.00	0.75	4
CAS143-18-4N4-V-AA	CAS143-18-4N4-90-V-AA	1300 MCM - 1431 MCM	1272 (45/7)(54/19)	4.50	18.00	0.75	4
CAS160-6-4N4-V-AA	CAS160-6-4N4-90-V-AA	1500 MCM - 1600 MCM	1431 (45/7)(54/19)	4.50	6.00	0.75	4
CAS160-6.5-4N4-V-AA	CAS160-6.5-4N4-90-V-AA	1500 MCM - 1600 MCM	1431 (45/7)(54/19)	4.50	6.50	0.75	4
CAS160-8-4N4-V-AA	CAS160-8-4N4-90-V-AA	1500 MCM - 1600 MCM	1431 (45/7)(54/19)	4.50	8.00	0.75	4
CAS160-10-4N4-V-AA	CAS160-10-4N4-90-V-AA	1500 MCM - 1600 MCM	1431 (45/7)(54/19)	4.50	10.00	0.75	4
CAS160-11-4N4-V-AA	CAS160-11-4N4-90-V-AA	1500 MCM - 1600 MCM	1431 (45/7)(54/19)	4.50	11.00	0.75	4

345/500 kV  
Spacer Clamps

## DOSSERT® TYPE CAS-N-V-AA, CAS-N-90-V-AA

Cable Spacer for Two Cables with Four-Hole NEMA Tap

### Ordering Information

CATALOG NUMBER		CABLE RANGE		DIMENSIONS IN INCHES			NO. OF BOLTS
		AAC RANGE	ACSR	B	L	T	
CAS160-12-4N4-V-AA	CAS160-12-4N4-90-V-AA	1500 MCM - 1600 MCM	1431 (45/7)(54/19)	4.50	12.00	0.75	4
CAS160-18-4N4-V-AA	CAS160-18-4N4-90-V-AA	1500 MCM - 1600 MCM	1431 (45/7)(54/19)	4.50	18.00	0.75	4
CAS180-6-4N4-V-AA	CAS180-6-4N4-90-V-AA	1700 MCM - 1800 MCM	1590 (45/7)(54/19)	4.50	6.00	0.75	4
CAS180-8-4N4-V-AA	CAS180-8-4N4-90-V-AA	1700 MCM - 1800 MCM	1590 (45/7)(54/19)	4.50	8.00	0.75	4
CAS180-10-4N4-V-AA	CAS180-10-4N4-90-V-AA	1700 MCM - 1800 MCM	1590 (45/7)(54/19)	4.50	10.00	0.75	4
CAS180-12-4N4-V-AA	CAS180-12-4N4-90-V-AA	1700 MCM - 1800 MCM	1590 (45/7)(54/19)	4.50	12.00	0.75	4
CAS180-18-4N4-V-AA	CAS180-18-4N4-90-V-AA	1700 MCM - 1800 MCM	1590 (45/7)(54/19)	4.50	18.00	0.75	4
CAS200-8-4N4-V-AA	CAS200-8-4N4-90-V-AA	2000 MCM	1780(84/19)	4.50	8.00	0.75	4
CAS200-18-4N4-V-AA	CAS200-18-4N4-90-V-AA	2000 MCM	1780(84/19)	4.50	18.00	0.75	4
CAS205-6-4N4-V-AA	CAS205-6-4N4-90-V-AA	2000 MCM - 2049 MCM	1780 (84/19) 2034 (72/7)	4.50	6.00	0.75	4
CAS205-8-4N4-V-AA	CAS205-8-4N4-90-V-AA	2000 MCM - 2049 MCM	1780 (84/19) 2034 (72/7)	4.50	8.00	0.63	4
CAS205-10-4N4-V-AA	CAS205-10-4N4-90-V-AA	2000 MCM - 2049 MCM	1780 (84/19) 2034 (72/7)	4.50	10.00	0.75	4
CAS205-12-4N4-V-AA	CAS205-12-4N4-90-V-AA	2000 MCM - 2049 MCM	1780 (84/19) 2034 (72/7)	4.50	12.00	0.75	4
CAS205-13-4N4-V-AA	CAS205-13-4N4-90-V-AA	2000 MCM - 2049 MCM	1780 (84/19) 2034 (72/7)	4.50	13.00	0.75	4
CAS205-18-4N4-V-AA	CAS205-18-4N4-90-V-AA	2000 MCM - 2049 MCM	1780 (84/19) 2034 (72/7)	4.50	18.00	0.75	4
CAS250-6-4N4-V-AA	CAS250-6-4N4-90-V-AA	2250 MCM - 2500 MCM	2156 (84/19)	4.50	6.00	0.75	4
CAS250-8-4N4-V-AA	CAS250-8-4N4-90-V-AA	2250 MCM - 2500 MCM	2156 (84/19)	4.50	8.00	0.75	4
CAS250-10-4N4-V-AA	CAS250-10-4N4-90-V-AA	2250 MCM - 2500 MCM	2156 (84/19)	4.50	10.00	0.75	4
CAS250-12-4N4-V-AA	CAS250-12-4N4-90-V-AA	2250 MCM - 2500 MCM	2156 (84/19)	4.50	12.00	0.75	4
CAS250-18-4N4-V-AA	CAS250-18-4N4-90-V-AA	2250 MCM - 2500 MCM	2156 (84/19)	4.50	18.00	0.75	4
CAS250-18-4N41/2-V-AA	CAS250-18-4N4-90-V-AA	2250 MCM - 2500 MCM	2156 (84/19)	4.50	18.00	0.75	4
CAS275-6-4N4-V-AA	CAS275-6-4N4-90-V-AA	2650 MCM - 2750 MCM	2515 (76/19)	4.50	6.00	0.75	4
CAS275-8-4N4-V-AA	CAS275-8-4N4-90-V-AA	2650 MCM - 2750 MCM	2515 (76/19)	4.50	8.00	0.75	4
CAS275-10-4N4-V-AA	CAS275-10-4N4-90-V-AA	2650 MCM - 2750 MCM	2515 (76/19)	4.50	10.00	0.75	4
CAS275-12-4N4-V-AA	CAS275-12-4N4-90-V-AA	2650 MCM - 2750 MCM	2515 (76/19)	4.50	12.00	0.75	4
CAS275-12-4N71/4-V-AA	CAS275-12-4N7 1/4-90-V-AA	2650 MCM - 2750 MCM	2515 (76/19)	4.50	12.00	0.75	4
CAS275-18-4N4-V-AA	CAS275-18-4N4-90-V-AA	2650 MCM - 2750 MCM	2515 (76/19)	4.50	18.00	0.75	4
CAS350-6-4N4-V-AA	CAS350-6-4N4-90-V-AA	3500 MCM	—	5.48	6.00	0.75	4
CAS350-13-4N4-V-AA	CAS350-13-4N4-90-V-AA	3500 MCM	—	5.48	13.00	1.00	4
CAS350-13-6N4-V-AA	CAS350-13-6N4-90-V-AA	3500 MCM	—	5.48	13.00	1.00	4

## DOSSERT® TYPE 38100-EHV

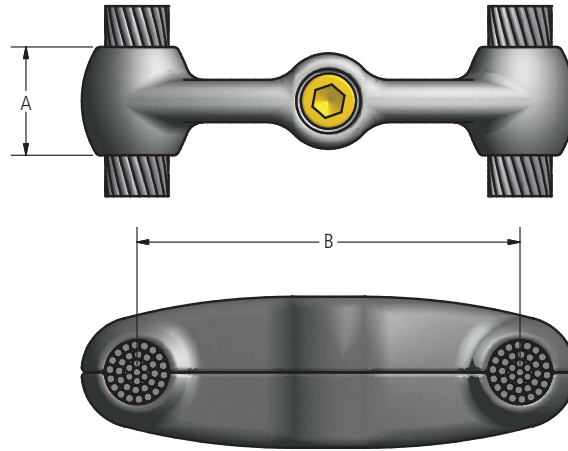
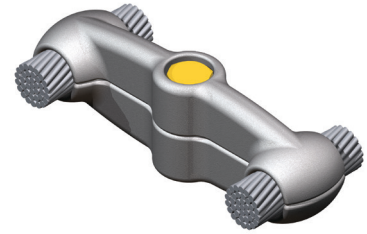
Spacer is designed to be corona free for 345 kV service. Single bolt spacer is supplied for 6.5" and 8" centerline spacing.

### Material

Aluminum Alloy

### Hardware

Yellow anodized aluminum bolts, nuts, and lockwashers.



345/500 kV  
Spacer Clamps

### Ordering Information

CATALOG NUMBER	CABLE RANGE			DIMENSIONS IN INCHES		BOLT SIZE	NOMINAL WEIGHT LBS
	DIAMETER	AAC	ACSR	A	B		
38131EHV	.938 - 1.000	700 - 750	556.5(30/7) - 636(26/7)	1.66	6.50	5/8	1.7
38161EHV	.938 - 1.000	700 - 750	556.5(30/7) - 636(26/7)	1.66	8.00	5/8	2.7
38132EHV	1.001 - 1.062	795	636(30/19) - 795(36/1)	1.75	6.50	5/8	1.6
38162EHV	1.001 - 1.062	795	636(30/19) - 795(36/1)	1.75	8.00	5/8	1.9
38133EHV	1.063 - 1.125	900 - 954	795(45/7) - 795(24/7)	1.66	6.50	5/8	1.6
38163EHV	1.063 - 1.125	900 - 954	795(45/7) - 795(24/7)	1.66	8.00	5/8	1.9
38134EHV	1.126 - 1.187	1000 - 1033.5	795(30/19) - 954(45/7)	1.44	6.50	5/8	1.6
38164EHV	1.126 - 1.187	1000 - 1033.5	795(30/19) - 954(45/7)	1.44	8.00	5/8	1.6
38135EHV	1.188 - 1.250	1113	954(54/7) - 1033.5(54/7)	2.12	6.50	5/8	1.9
38165EHV	1.188 - 1.250	1113	954(54/7) - 1033.5(54/7)	2.12	8.00	5/8	2.0
38136EHV	1.251 - 1.312	1192.5 - 1272	1113(45/7) - 1192.5(45/7)	2.12	6.50	5/8	2.0
38166EHV	1.251 - 1.312	1192.5 - 1272	1113(45/7) - 1192.5(45/7)	2.12	8.00	5/8	1.9
38137EHV	1.313 - 1.375	1351.5 - 1351.5	1192.5(54/19) - 1272(45/7)	1.91	6.50	5/8	2.9
38167EHV	1.313 - 1.375	1351.5 - 1351.5	1192.5(54/19) - 1272(45/7)	1.91	8.00	5/8	2.0
38138EHV	1.376 - 1.437	1431 - 1510.5	1272(54/19) - 1431(45/7)	2.50	6.50	3/4	3.0
38168EHV	1.376 - 1.437	1431 - 1510.5	1272(54/19) - 1431(45/7)	2.50	8.00	3/4	3.0
38139EHV	1.438 - 1.500	1590	1431(54/19) - 1510.5(45/7)	2.50	6.50	3/4	3.4
38169EHV	1.438 - 1.500	1590	1431(54/19) - 1510.5(45/7)	2.50	8.00	3/4	3.6

## DOSSERT® TYPE 38400-EHV, 38500-EHV

### Spacers (Cable) Recommended for Voltages up to 500 kV

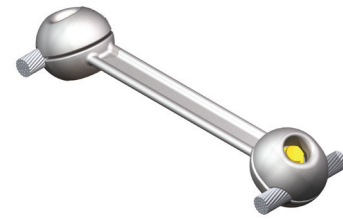
Bi-spacer is designed to be corona free for 345 kV service for conductors through 1.5" diameter and 500 kV for larger diameter conductors. Tri-spacer is designed to be corona free for 500 kV service. Bi-spacer is companion to 38200 series support. Tri-spacer is companion to 38300 series. Rigid spacers are not recommended for use on transmission lines.

#### Material

Aluminum Alloy

#### Hardware

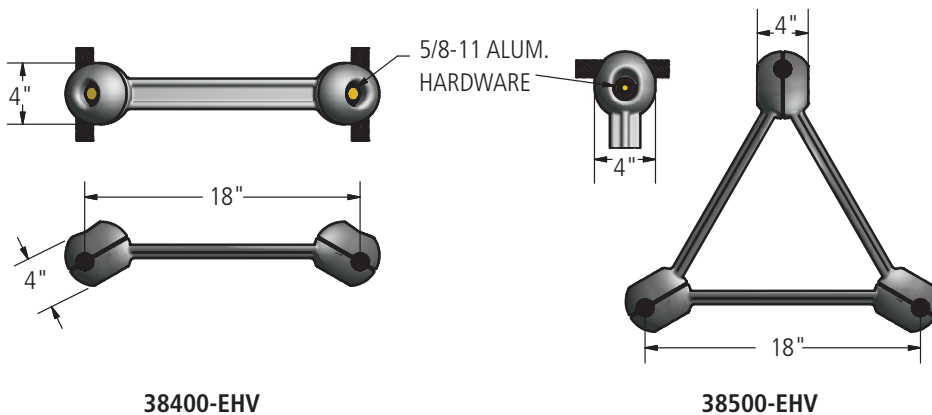
Yellow anodized aluminum bolts, nuts, and lockwashers.



38400-EHV



38500-EHV



38400-EHV

38500-EHV

### Ordering Information

CATALOG NUMBER		CABLE RANGE			NOMINAL WEIGHT LBS	
BI-SPACER	TRI-SPACER	DIAMETER	AAC	ACSR	BI-SPACER	TRI-SPACER
38401EHV	38501EHV	1.001 - 1.062	795	636 (30/19) - 715 (26/7)	4.9	9.4
38402EHV	38502EHV	1.063 - 1.130	900 - 954	795 (45/7) - 795 (26/7)	5.1	10.0
38403EHV	38503EHV	1.131 - 1.196	1000 - 1033.5	900 (45/7) - 954 (54/7)	4.9	9.4
38404EHV	38504EHV	1.197 - 1.252	1113	1033 (45/7) - 1033 (54/7)	5.0	9.7
38405EHV	38505EHV	1.253 - 1.312	1192.5 - 1272	1113 (45/7) - 1192.5 (45/7)	5.0	9.7
38406EHV	38506EHV	1.313 - 1.375	1351.5	1192.5 (54/19) - 1272 (45/7)	5.0	9.7
38407EHV	38507EHV	1.376 - 1.437	1431 - 1510.5	1272 (54/19) - 1431 (45/7)	5.0	9.7
38408EHV	38508EHV	1.438 - 1.518	1590	1431 (54/19) - 1590 (45/7)	4.9	9.4
38409EHV	38509EHV	1.519 - 1.599	1750	1590 (54/19)	4.7	9.1
38410EHV	38510EHV	1.600 - 1.680	2000	1780 (84/19)	4.8	9.1
38411EHV	38511EHV	1.681 - 1.762	2250	2034 (72/7) - 2156 (84/19)	4.7	9.1
38412EHV	38512EHV	1.763 - 1.843	2500	2312 (76/19)	4.6	9.1

## DOSSERT® TYPE 38300-EHV

### Spacers (Cable) Recommended for Voltages up to 500 kV

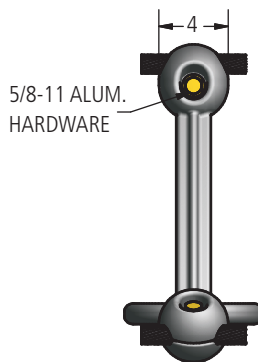
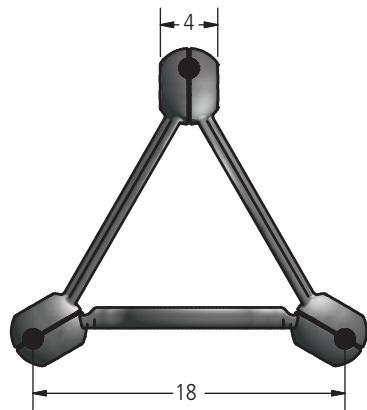
Three-Conductor strain bus support is designed to be corona free for 500 kV service. Support is companion to 38500 series tri-spacer.

#### Material

Aluminum Alloy

#### Mounting Hardware

Yellow anodized aluminum bolts, nuts, and lockwashers.



#### Ordering Information

CATALOG NUMBER		CABLE RANGE		
5" BOLT CIRCLE	7" BOLT CIRCLE	DIAMETER	AAC	ACSR
38301-5EHV	38301-7EHV	1.001 - 1.062	795	636 (30/19) - 715 (26/7)
38302-5EHV	38302-7EHV	1.063 - 1.130	900 - 954	795 (45/7) - 795 (26/7)
38303-5EHV	38303-7EHV	1.131 - 1.196	1000 - 1033.5	900 (45/7) - 954 (54/7)
38304-5EHV	38304-7EHV	1.197 - 1.252	1113	1033 (45/7) - 1033 (54/7)
38305-5EHV	38305-7EHV	1.253 - 1.312	1192.5 - 1272	1113 (45/7) - 1192.5 (45/7)
38306-5EHV	38306-7EHV	1.313 - 1.375	1351.5	1192.5 (54/19) - 1272 (45/7)
38307-5EHV	38307-7EHV	1.376 - 1.437	1431 - 1510.5	1272 (54/19) - 1431 (45/7)
38308-5EHV	38308-7EHV	1.438 - 1.518	1590	1431 (54/19) - 1590 (45/7)
38309-5EHV	38309-7EHV	1.519 - 1.599	1750	1590 (54/19)
38310-5EHV	38310-7EHV	1.600 - 1.680	2000	1780 (84/19)
38311-5EHV	38311-7EHV	1.681 - 1.762	2250	2034 (72/7) - 2156 (84/19)
38312-5EHV	38312-7EHV	1.763 - 1.843	2500	2312 (76/19)

345/500 kV  
Spacer Clamps

**DOSSERT®**  
**TYPE CSBE-V-AA, 4040-EHV, 6040-EHV**

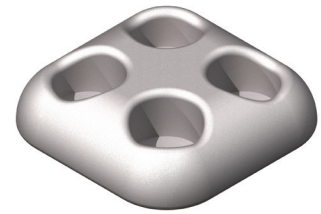
Designed to be corona free for 500 kV service.

**Material**

Aluminum Alloy



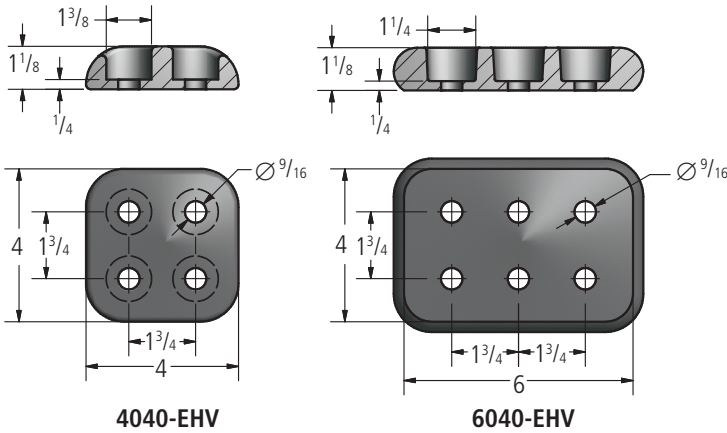
**CSBE-V-AA**



**4040-EHV**

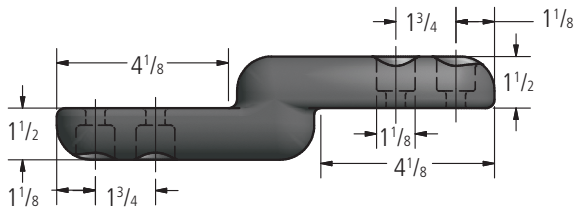
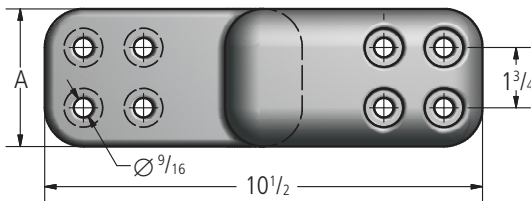


**6040-EHV**



**4040-EHV**

**6040-EHV**



**CSBE-4N4-V-AA**

**Ordering Information**

CATALOG NUMBER	NUMBER OF HOLES	DIMENSIONS IN INCHES
		A
CSBE-4N4-V-AA	4	4
CSBE-6N4-V-AA	6	6
4040-EHV	4	-
6040-EHV	6	-

345/500 kV  
Hardware Shields

## DOSSERT® TYPE PC-V-AA

### Parallel Groove Clamp

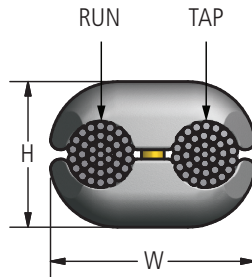
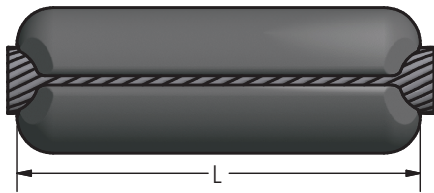
Bolted parallel groove clamp is designed to have better corona characteristics than the conductors on which it is installed. Designed for 500 kV service.

#### Material

Aluminum Alloy

#### Hardware

Aluminum nuts, bolts and lockwashers.



### Ordering Information

CATALOG NUMBER	CONDUCTOR TYPE	CABLE RANGE RUN		CABLE RANGE TAP		DIMENSIONS IN INCHES			BOLT SIZE	NO. OF BOLTS
		MIN	MAX	MIN	MAX	L	H	W		
PC80-80-V-AA	AAC	795 MCM	800 MCM	795 MCM	800 MCM	7 1/4	3 1/4	3 3/4	1/2	3
	ACSR	715.5 (24/7)	795 (36/1)	715.5 (24/7)	795 (36/1)					
PC103-103-V-AA	AAC	900 MCM	1033.5 MCM	900 MCM	1033.5 MCM	7 1/4	3 1/4	4	1/2	3
	ACSR	795 (36,1)	954 (54,7)	795 (36,1)	954 (54,7)					
PC127-103-V-AA	AAC	1113 MCM	1113 MCM	1000 MCM	1033.5 MCM	7 1/4	3 1/4	4 1/4	1/2	3
	ACSR	1113 (54/19)	1113 (54/19)	954 (54,7)	954 (54,7)					
PC127-127-V-AA	AAC	1113 MCM	1272 MCM	1113 MCM	1272 MCM	7 1/4	3 1/4	4 3/8	1/2	3
	ACSR	1113 (45/7)	1113 (54/19)	1113 (45/7)	1113 (54/19)					
PC130-80-V-AA	AAC	1272 MCM	1351.5 MCM	795 MCM	800 MCM	7 1/4	3 1/4	4 1/8	1/2	3
PC130-130-V-AA	AAC	1272 MCM	1351.5 MCM	1272 MCM	1351.5 MCM	7 1/4	3 1/4	4 3/8	1/2	3
PC160-160-V-AA	AAC	1590 MCM	1600 MCM	1590 MCM	1600 MCM	8 3/4	3 1/2	4 3/4	5/8	3
	ACSR	1431 (54/19)	1510.5 (45/7)	1431 (54/19)	1510.5 (45/7)					
PC180-103-V-AA	AAC	1700 MCM	1800 MCM	900 MCM	1033.5 MCM	7 1/4	3 1/4	4 7/16	1/2	3
	ACSR	1590 (45/7)	1590 (54/19)	795 (36/1)	954 (54/7)					
PC180-127-V-AA	AAC	1700 MCM	1800 MCM	1113 MCM	1272 MCM	7 1/4	3 1/4	4 19/32	1/2	3
	ACSR	1590 (45/7)	1590 (54/19)	1113 (45/7)	1113 (54/19)					
PC205-65-V-AA	AAC	—	2000 MCM	600 MCM	650 MCM	7 1/4	3 3/8	4 3/8	1/2	3
	ACSR	1780 (84/19)	2034.5 (72/7)	477 (26/7)	556.5 (27/7)					
PC205-205-V-AA	AAC	—	2000 MCM	—	2000 MCM	8 3/4	3 1/2	5	5/8	3
	ACSR	1780 (84/19)	2034.5 (72/7)	1780 (84/19)	2034.5 (72/7)					
PC216A-216A-V-AA	AAC	2250 MCM	2500 MCM	2250 MCM	2500 MCM	11	4	5 1/2	5/8	4
	ACSR	2156 (84/19)	2167 (72/7)	2156 (84/19)	2167 (72/7)					



**DOSSERT®**

**TYPE PC-V-AA**

**Parallel Groove Clamp**

**Ordering Information (cont.)**

CATALOG NUMBER	CONDUCTOR TYPE	CABLE RANGE RUN		CABLE RANGE TAP		DIMENSIONS IN INCHES			BOLT SIZE	NO. OF BOLTS
		MIN	MAX	MIN	MAX	L	H	W		
PC275-275-V-AA	AAC	—	2750 MCM	—	2750 MCM	11	4 1/8	5 5/8	5/8	4
	ACSR	—	2515 (76/19)	—	2515 (76/19)					
PC350-80-V-AA	AAC	—	3500 MCM	795 MCM	800 MCM	7 1/4	3 13/16	4 11/16	5/8	3
	ACSR	—	—	715.5 (24/7)	795 (36/1)					
PC350-127-V-AA	AAC	—	3500 MCM	1113 MCM	1272 MCM	11	4 1/2	4 1/8	5/8	4
	ACSR	—	—	1113 (45/7)	1113 (54/19)					



## DOSSERT® TYPE 35600-EHV

### Parallel Groove Clamp

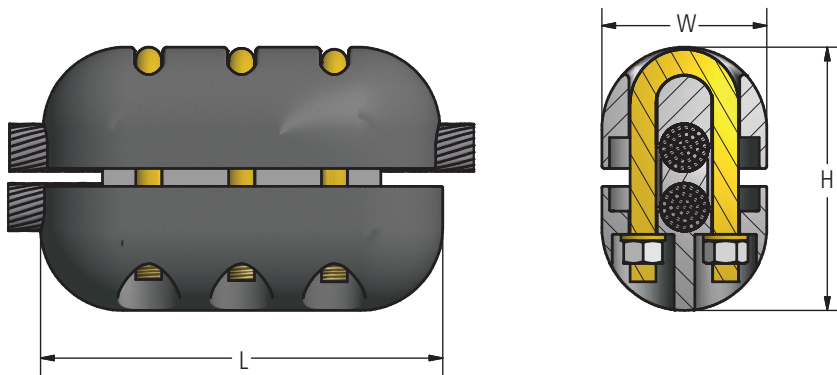
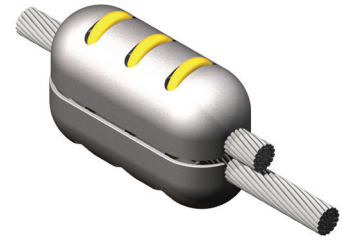
Bolted parallel groove clamp designed to have better corona characteristics than the conductors on which it is installed.

#### Material

Aluminum Alloy

#### Hardware

Yellow anodized aluminum nuts, U-bolts and lockwashers.



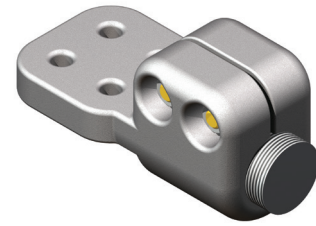
### Ordering Information

CATALOG NUMBER	CONDUCTOR DIAMETER	DIMENSIONS IN INCHES			NO. OF BOLTS	NOMINAL WEIGHT LBS
		L	W	H		
35626 EHV	1.162	9.75	4.00	6.38	3	9.4
35627 EHV	1.569	11.75	5.00	6.94	3	14.5
35628 EHV	1.757	14.75	5.00	7.16	4	17.4

## DOSSERT® TYPE SCB-F-V-AA

### Stud Connector

The pad is finished on both sides. Can be furnished to accommodate stud diameters or threads per inch other than listed below. Designed for 500 kV service.



### Material

Aluminum Alloy

### Hardware

Yellow anodized aluminum nuts, bolts and lockwashers.

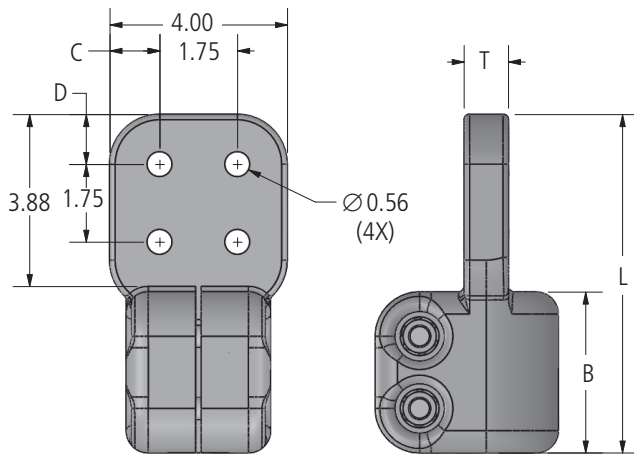


FIG. 1

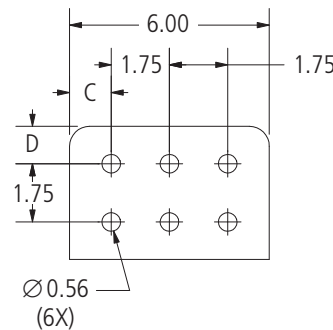


FIG. 2

### Ordering Information

CATALOG NUMBER	FIG. NO.	STUD SIZE		DIMENSIONS IN INCHES					BOLT SIZE
		DIAMETER	THREADS PER INCH	B	C	D	L	T	
SCB112-1/2F-4N4-V-T12-AA	1	1.13	12	2.75	1.13	1.13	7.50	0.50	1/2
SCB175-1F-4N4-V-T12-AA	1	1.75	12	3.00	1.13	1.13	7.75	1.00	1/2
SCB150-3/4F-4N4-V-T12-AA	1	1.50	12	3.00	1.13	1.13	7.75	0.75	1/2
SCB200-3/4F-4N4-V-T12-AA	1	2.00	12	3.00	1.13	1.13	7.75	0.75	1/2
SCB197-3/4F-4N4-V-T0-AA	1	50 MM	0	3.00	1.13	1.13	7.75	0.75	1/2
SCB200-1F-4N4-V-T12-AA	1	2.00	12	3.00	1.13	1.13	7.75	1.00	1/2
SCB250-1F-6N4-V-T12-AA	2	2.50	12	3.25	1.25	1.13	7.94	1.00	1/2
SCB300-3/4F-4N4-V-T12-AA	1	3.00	12	3.88	1.13	1.13	8.13	0.75	1/2
SCB300-1F-4N4-V-T12-AA	1	3.00	12	3.25	1.13	1.13	8.13	1.00	1/2
SCB300-1F-6N4-V-T12-AA	2	3.00	12	3.25	1.25	1.13	8.13	1.00	1/2
SCB300-4.5B-1F-6N4-V-T12-AA	2	3.00	12	4.50	1.25	1.13	9.38	1.00	5/8
SCB315-1F-4N4-V-T0-AA	1	80 MM	0	3.50	1.13	1.13	8.13	1.00	1/2
SCB350-1.13F-4N4-V-T12-AA	1	3.50	12	3.50	1.13	1.13	8.38	1.13	5/8

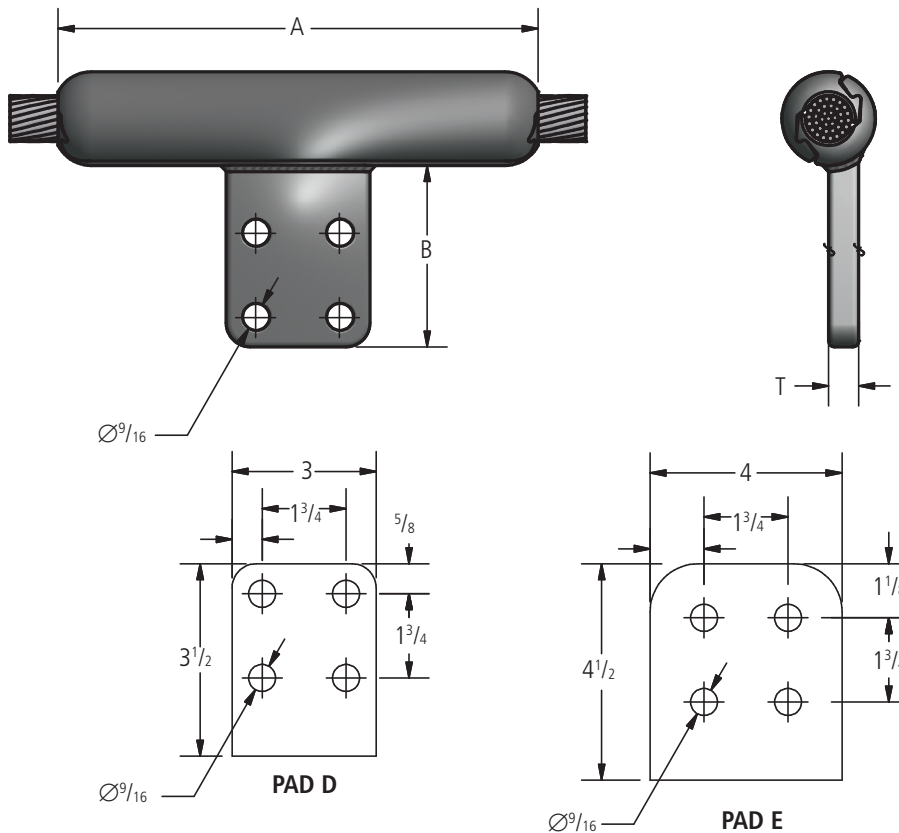
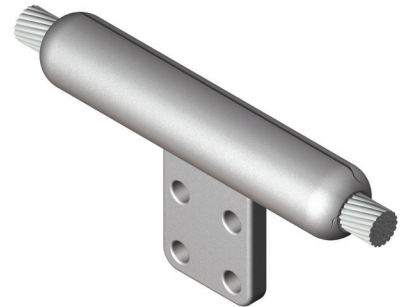
## DOSSERT®

### Type 2800-EHV, 5300-EHV

Substation tee connector is designed for limited space application as found in substations. Run length is shorter than conventional tee taps which saves space and allows faster installation. Tee tap is installed with standard AFL hex dies.

#### Material

Aluminum Alloy



#### Ordering Information

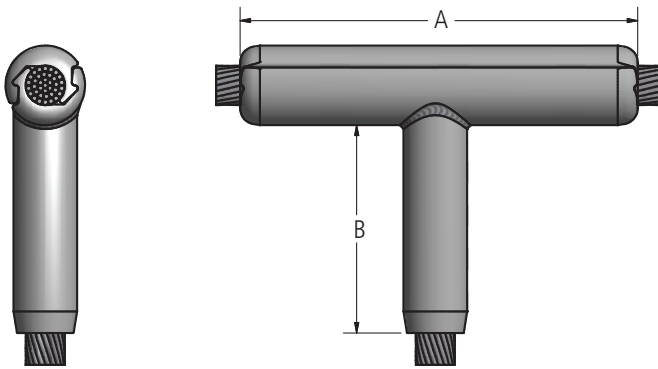
CATALOG NUMBER	CONDUCTOR RANGE		DIE SIZE	ALTERNATE CATALOG NUMBER	ALTERNATE PAD SIZE	DIMENSIONS IN INCHES			NOMINAL WEIGHT
	DIAMETER	AAC				A	T	B	LBS
2830.1 EHV	1.021 - 1.196	795 - 1033.5 kcmil	30AH	2830.1E EHV	E	10.00	0.62	4.00	2.6
2834.1 EHV	1.140 - 1.319	1000 - 1300 kcmil	34AH	2834.1E EHV	E	11.50	0.62	4.00	3.4
2836.1 EHV	1.320 - 1.417	1351.5 - 1510.5 kcmil	36AH	2836.1E EHV	E	11.50	0.62	4.00	3.7
2838.1 EHV	1.412 - 1.500	1510.5 - 1590 kcmil	38AH	2838.1E EHV	E	12.00	0.62	4.00	4.3
2840.1 EHV	1.496 - 1.557	1750 kcmil	40AH	2840.1E EHV	E	12.50	0.62	4.00	4.8
2842.1 EHV	1.550 - 1.625	-	42AH	2842.1D EHV	D	14.00	0.75	4.50	6.4
2844.1 EHV	1.626 - 1.842	2250 - 2500 kcmil	44AH	2844.1D EHV	D	14.00	0.75	4.50	6.3
2848.1 EHV	1.843 - 1.996	2750 kcmil	48AH	2848.1D EHV	D	16.00	0.75	4.50	7.1

## DOSSERT® Type 2900-EHV

Substation tee connector is designed for limited space application as found in substations. Designed for 500 kV service. Run and tap lengths are shorter than conventional tee connectors which saves space and minimizes birdcaging problems. Tee connector is installed with standard AFL hex dies.

### Material

Aluminum Alloy



### Ordering Information

CATALOG NUMBER	CONDUCTOR				DIMENSIONS IN INCHES		NOMINAL WEIGHT LBS	DIE SIZE
	RUN		TAP		A	B		
	DIAMETER	AAC RANGE	DIAMETER	AAC RANGE				
2930.1-30.1 EHV	1.021 - 1.196	795 - 1033.5	1.026 - 1.196	795 - 1033.5	10.00	5.67	2.9	30AH
2934.1-34.1 EHV	1.140 - 1.319	1000 - 1272	1.186 - 1.313	1113 - 1272	11.30	6.03	4.1	34AH
2936.1-36.1 EHV	1.340 - 1.417	1351.5 - 1510.5	1.314 - 1.399	1351.5 - 1431	11.50	6.29	4.6	36AH
2938.1-38.1 EHV	1.412 - 1.500	1510.5 - 1590	1.399 - 1.500	1510.5 - 1590	12.00	6.55	5.4	38AH
2940.1-40.1 EHV	1.496 - 1.557	1750.0	1.501 - 1.630	1750 - 2000	12.50	7.02	6.1	40AH
2942.1-42.1 EHV	1.550 - 1.625	-	1.630 - 1.681	2000	14.00	7.29	7.2	42AH
2944.1-44.1 EHV	1.626 - 1.717	2000 - 2250	1.630 - 1.681	2000	14.00	7.74	7.9	44AH
2944.2-44.2 EHV	1.718 - 1.842	2250 - 2500	1.669 - 1.823	2000 - 2500	15.00	7.74	8.1	44AH
2948.1-48.1 EHV	1.843 - 1.998	2750 - 3000	1.823 - 1.998	2500 - 3000	16.00	8.77	9.4	48AH

## DOSSERT® TYPE 5400

### Tee Connector—Closed Run Compression for Stranded AAC and ACSR Conductions

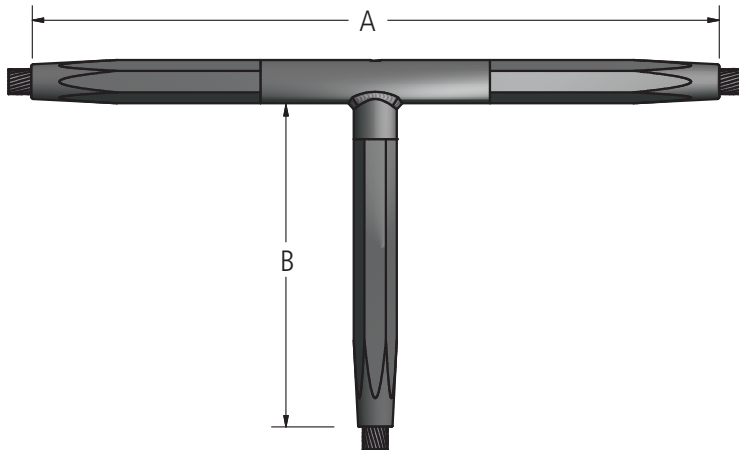
Designed for 500 kV service.

#### Material

Aluminum Alloy Lockwashers

#### Notes

Join the partial catalog numbers shown for the run and branch conductors.  
EX: 5436.147-347.138



### Ordering Information

RUN CONDUCTOR				
CATALOG NUMBER	CONDUCTOR RANGE		DIMENSIONS IN INCHES	DIE SIZE
	AAC	ACSR	A	
5430.109	795-800	715.5(24/7)-795(36/1)	19.12	30AH
5430.116	900	795(45/7)-795(26/7)	19.12	30AH
5430.122	954-1033.5	795(30/19)-954(36/1)	19.12	30AH
5430.125	—	954(54/7)-1033.5(36/1)	19.12	30AH
5434.128	1113	1033.5(45/7)-1033.5(54/7)	20.12	34AH
5434.138	1272	1113(54/19)-1192.5(45/7)	20.12	34AH
5436.144	1351.5-1431	1192.5(54/19)-1272(45/7)	21.00	36AH
5436.147	1500-1510.5	1272(54/19)-1351.5(45/7)	21.00	36AH
5438.156	1590	1431(54/19)-1510.5(45/7)	21.88	38AH
5440.162	1750	1510.5(54/19)-1590(54/19)	22.75	40AH
5442.178	2000	1780(84/19)-2034.5(72/7)	23.62	42AH
5444.184	2338 ACAR	2156(72/7)	26.75	44AH
5444.188	2500	2312(76/19)	26.75	44AH

BRANCH CONDUCTOR				
CATALOG NUMBER	CONDUCTOR RANGE		DIMENSIONS IN INCHES	DIE SIZE
	AAC	ACSR	B	
-30.109	795-800	715.5(24/7)-795(36/1)	9.44	30AH
-30.116	900	795(45/7)-795(26/7)	9.44	30AH
-30.122	954-1033.5	795(30/19)-954(36/1)	9.44	30AH
-30.125	—	954(54/7)-1033.5(36/1)	9.44	30AH
-34.128	1113	1033.5(45/7)-1033.5(54/7)	10.06	34AH
-34.138	1272	1113(54/19)-1192.5(45/7)	10.06	34AH
-36.144	1351.5-1431	1192.5(54/19)-1272(45/7)	10.62	36AH
-36.147	1500-1510.5	1272(54/19)-1351.5(45/7)	10.62	36AH
-38.156	1590	1431(54/19)-1510.5(45/7)	10.62	38AH
-40.162	1750	1510.5(54/19)-1590(54/19)	11.75	40AH
-42.178	2000	1780(84/19)-2034.5(72/7)	12.38	42AH
-44.184	2338 ACAR	2156(72/7)	12.00	44AH
-44.188	2500	2312(76/19)	12.00	44AH

## DOSSERT® TYPE 5500

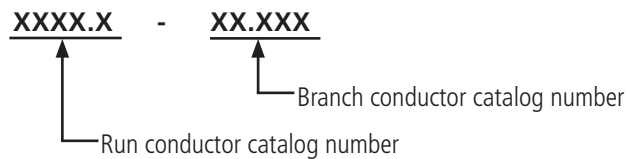
### Tee Connector – Open Run – Compression for Stranded EC & ACSR Conductors

Designed for 500 kV service.

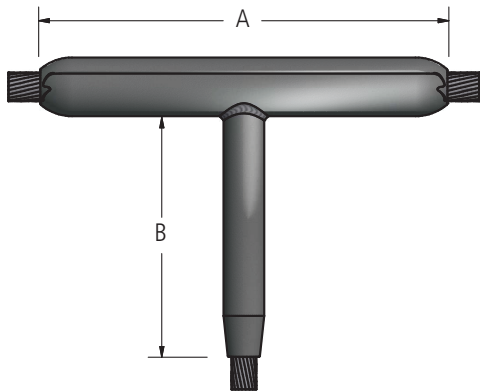
#### Material

Aluminum Alloy

To order combine Run conductor catalog number with Branch catalog number.



Example: for 795(36/1) Run conductor to 795(26/7)  
Branch conductor order 5530.3 -30.116



### Ordering Information

CATALOG NUMBER	RUN CONDUCTOR			DIMENSIONS IN INCHES	NOMINAL WEIGHT	DIE SIZE
	CONDUCTOR RANGE					
	DIAMETER	AAC	ACSR	A		
5530.3	1.021-1.196	795-1033.5	715.5(24/7)-1033.5(36/1)	19.12	3.3	30AH
5534.3	1.197-1.319	1113-1300	1033.5(54/7)-1192.5(45/7)	20.12	4.5	34AH
5536.3	1.320-1.417	1351.5-1510.5	1192.5(54/19)-1351.5(45/7)	21.00	5.0	36AH
5538.3	1.412-1.500	1500-1590	1351.5(54/9)-1510.5(45/7)	21.88	5.9	38AH
5540.3	1.496-1.557	1750	1510.5(54/19)-1590(54/19)	22.75	6.6	40AH
5542.3	1.550-1.625	-	1780(84/19)	23.62	7.7	42AH
5544.3	1.626-1.842	2000-2500	2034(72/7)2312(76/19)	26.75	6.8	44AH

## DOSSERT®

### TYPE 5500

Tee Connector – Open Run – Compression for Stranded EC & ACSR Conductors

#### Ordering Information

BRANCH CONDUCTOR					
CATALOG NUMBER	CONDUCTOR RANGE		DIMENSIONS IN INCHES	NOMINAL WEIGHT	DIE SIZE
	AAC	ACSR	B		
-30.109	795-800	715.5(24/7)-795(36/1)	1.7	9.44	30AH
-30.116	900	795(45/7)-795(26/7)	1.7	9.44	30AH
-30.122	954-1033.5	795(30/19)-954(36/1)	1.7	9.44	30AH
-30.125	-	954(54/7)-1033.5(36/1)	1.7	10.06	30AH
-34.128	1113	1033.5(45/7)-1033.5(54/7)	2.2	10.06	34AH
-34.138	1272	1113(54/19)-1192.5(45/7)	2.2	10.06	34AH
-36.144	1351.5-1431	1192.5(54/19)-1272(45/7)	2.5	10.62	36AH
-36.147	1500-1510.5	1272(54/19)-1351.5(45/7)	2.5	10.62	36AH
-38.156	1590	1431(54/19)-1510.5(45/7)	3.0	11.19	38AH
-40.162	1750	1510.5(54/19)-1590(54/19)	3.4	11.75	40AH
-42.178	2000	1780(84/19)-2034.5(72/7)	3.9	12.38	42AH
-44.184	2338 ACAR	2156(72/7)	4.0	12.00	44AH
-44.188	2500	2312(76/19)	4.0	12.00	44AH

## DOSSERT® TYPE 5000-EHV

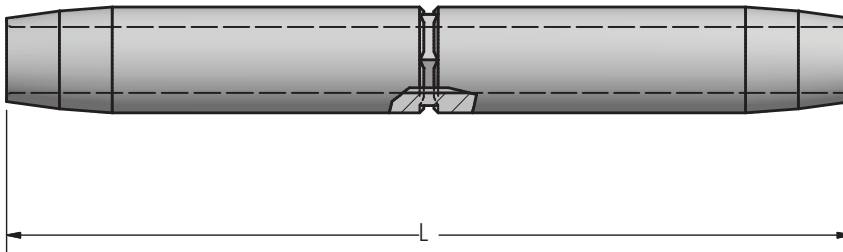
### Jumper Connector-Compression

The 5000 Series Jumper Connector is designed for AAC conductors. The jumper connector is fabricated from AFL seamless drawn aluminum. All jumper connectors are designed for limited tension use, maintaining a minimum of 40% of the ASTM rated strength of the conductor on which it is being used.



### Material

Aluminum Alloy



### Ordering Information

KCM	CONDUCTOR SIZE		CATALOG NUMBER	DIE SIZE	NOMINAL WEIGHT	DIMENSION IN INCHES
	STRAND					
	AL.	ST.			LBS	L
795.0	37 & 61	-	5030.109	30AH	2.1	13
795.0	26	7	5030.116	30AH	2.0	13
954.0	37 & 61	-	5030.122	30AH	1.8	13
954.0	45	7	5030.122	30AH	1.8	13
954.0	54	7	5030.125	30AH	1.8	13
1033.5	45	7	5034.128	34AH	2.8	14
1113.0	61	-	5034.128	34AH	2.8	14
1192.5	45	7	5034.138	34AH	2.5	14
1272.0	45	7	5036.144	36AH	3.2	15
1351.5	45	7	5036.147	36AH	3.1	15
1590.0	61 & 91	-	5038.156	38AH	3.8	16
1590.0	45	7	5040.162	40AH	4.5	17
1780.0	84	19	5042.178	42AH	4.6	17
2156.0	84	19	5044.184	44AH	5.1	17
2500.0	91	-	5044.188	44AH	5.0	17



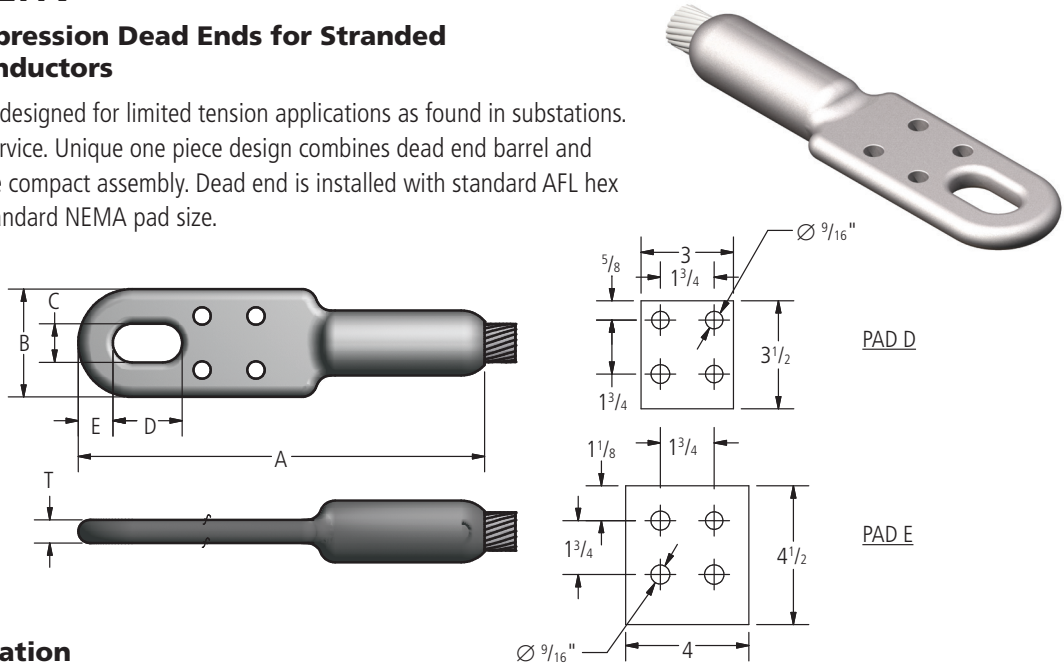
## DOSSERT® TYPE 2500-EHV

### Substation Compression Dead Ends for Stranded EC and ACSR Conductors

Substation dead end is designed for limited tension applications as found in substations. Designed for 500 kV service. Unique one piece design combines dead end barrel and terminal pad into single compact assembly. Dead end is installed with standard AFL hex dies. Terminal pad is standard NEMA pad size.

#### Material

Aluminum Alloy



#### Ordering Information

CATALOG NUMBER	CONDUCTOR DIAMETER RANGE IN INCHES	AAC RANGE	ACSR RANGE	PAD SIZE	DIE SIZE	RATED STRENGTH	NOMINAL WEIGHT
						LBS	
2530.1-EHV	1.026 - 1.196	795 - 1033.5	715.5(24/7) - 954(54/7)	D	30 AH	6800	2.8
2534.1-EHV	1.186 - 1.313	1113-1272	1033.5(36/1)-1192.5(45/7)	D	34 AH	6800	3.3
2536.1-EHV	1.314 - 1.399	1300-1431	1192.5(54/19) - 1351.5(45/7)	D	36 AH	9000	3.8
2538.1-EHV	1.399 - 1.500	1351.5-1590	1351.5(45/7) - 1510.5(45/7)	D	38 AH	9000	3.7
2540.1-EHV	1.501 - 1.630	1750 - 2000	1510.5(54/19) - 1780(84/19)	D	40 AH	9000	4.3
2544.1-EHV	1.630 - 1.681	2000	2034(72/7)	E	44 AH	10000	6.9
2544.2-EHV	1.669 - 1.823	2250 - 2500	2034(72/7) - 2312(76/19)	E	44 AH	10000	6.7
2548.1-EHV	1.823 - 1.996	2500 - 2750	2515(76/19)	E	48 AH	10000	7.3
2548.2-EHV	1.996 - 2.158	3000-3500	-	E	48 AH	10000	6.9

CATALOG NUMBER	DIMENSION IN INCHES					
	A	B	C	D	E	T
2530.1-EHV	13.20	3.50	1.25	2.25	1.50	.75
2534.1-EHV	13.81	3.50	1.25	2.25	1.50	.75
2536.1-EHV	14.21	3.50	1.25	2.25	1.50	1.00
2538.1-EHV	14.53	3.50	1.25	2.25	1.50	1.00
2540.1-EHV	14.75	3.50	1.25	2.25	1.50	1.00
2544.1-EHV	17.45	4.12	1.35	2.50	1.63	1.13
2544.2-EHV	17.45	4.12	1.35	2.50	1.63	1.13
2548.1-EHV	17.68	4.12	1.35	2.50	1.63	1.13
2548.2-EHV	17.68	4.12	1.35	2.50	1.63	1.13

## DOSSERT®

### Type 2700-EHV, 2600-EHV

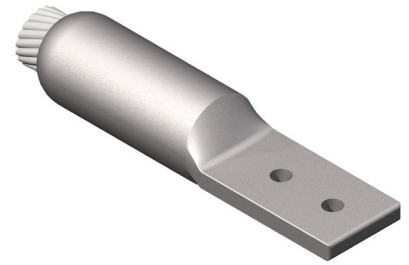
Substation straight terminals are designed for limited space applications as found in substations. Terminals are shorter than conventional terminals which saves space and allows for faster installation. Terminals are installed with standard AFL hex dies. Terminals can be supplied pre-filled if required.

#### Material

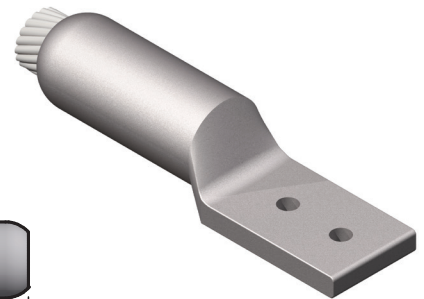
Aluminum Alloy

#### Notes

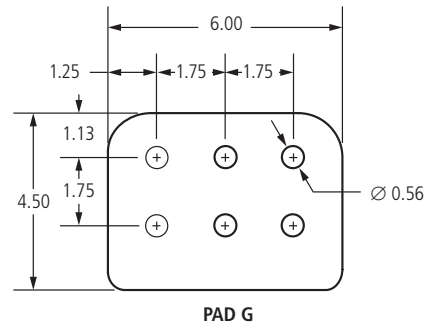
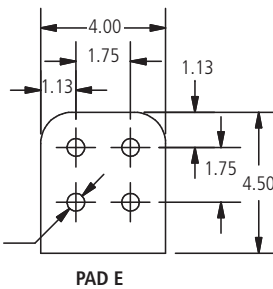
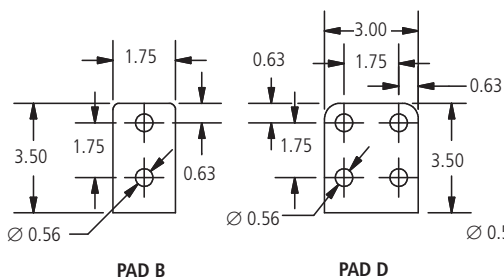
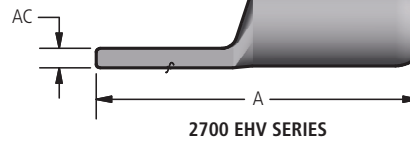
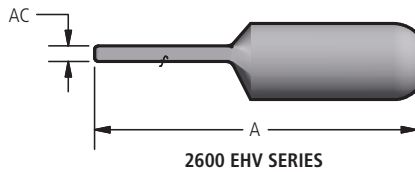
- For Pre-filled Terminals, add "P" to catalog number. EX: 2734.1EHVP
- For Electro Tin Plate, add "-SN" to catalog number. EX: 2734.1EHV-SN
- Other pad sizes can be custom ordered.



2600-EHV



2700-EHV



#### Ordering Information

CATALOG NUMBER		CONDUCTOR RANGE			PAD SIZE	DIE SIZE	DIMENSIONS IN INCHES		NOMINAL WEIGHT LBS
OFFSET PAD	CENTER FORMED PAD	DIAMETER	AAC	ACSR			A	AC	
2730.1EHV	2630.1EHV	1.026 - 1.196	795 - 1033.5	715.5(24/7) - 954(54/7)	D	30AH	8.92	0.62	1.6
2734.1EHV	2634.1EHV	1.186 - 1.313	1113 - 1272	954(54/7) - 1192.5(45/7)	D	34AH	9.28	0.62	1.9
2734.1EEHV	2634.1EEHV	1.186 - 1.313	1113 - 1272	954(54/7) - 1192.5(45/7)	E	34AH	10.28	0.75	2.1
2736.1EHV	2636.1EHV	1.314 - 1.399	1300 - 1431	1192.5(54/19) - 1351.5(45/7)	D	36AH	9.54	0.62	2.1
2736.1EEHV	2636.1EEHV	1.314 - 1.399	1300 - 1431	1192.5(54/19) - 1351.5(45/7)	E	36AH	10.54	0.63	2.5
2738.1EHV	2638.1EHV	1.399 - 1.500	1500 - 1590	1351.5(54/19) - 1510.5(45/7)	D	38AH	9.69	0.62	2.3
2738.1GEHV	2638.1GEHV	1.399 - 1.500	1500 - 1590	1351.5(54/19) - 1510.5(45/7)	G	38AH	10.38	0.63	3.1
2740.1EHV	2640.1EHV	1.501 - 1.630	1750 - 2000	1510.5(54/19) - 1780(84/19)	D	40AH	10.27	0.62	2.6
2744.1EHV	2644.1EHV	1.630 - 1.681	2000	2034(72/7)	E	44AH	11.61	0.75	4.0
2744.2EHV	2644.2EHV	1.669 - 1.823	2250 - 2500	2034(72/7) - 2312(76/19)	E	44AH	12.00	0.88	4.0
2748.1EHV	2648.1EHV	1.823 - 1.996	2500 - 2750	2515(76/19)	E	48AH	12.64	0.75	4.6
2748.2EHV	2648.2EHV	1.996 - 2.158	3000-3500	—	E	48AH	12.64	0.75	4.0

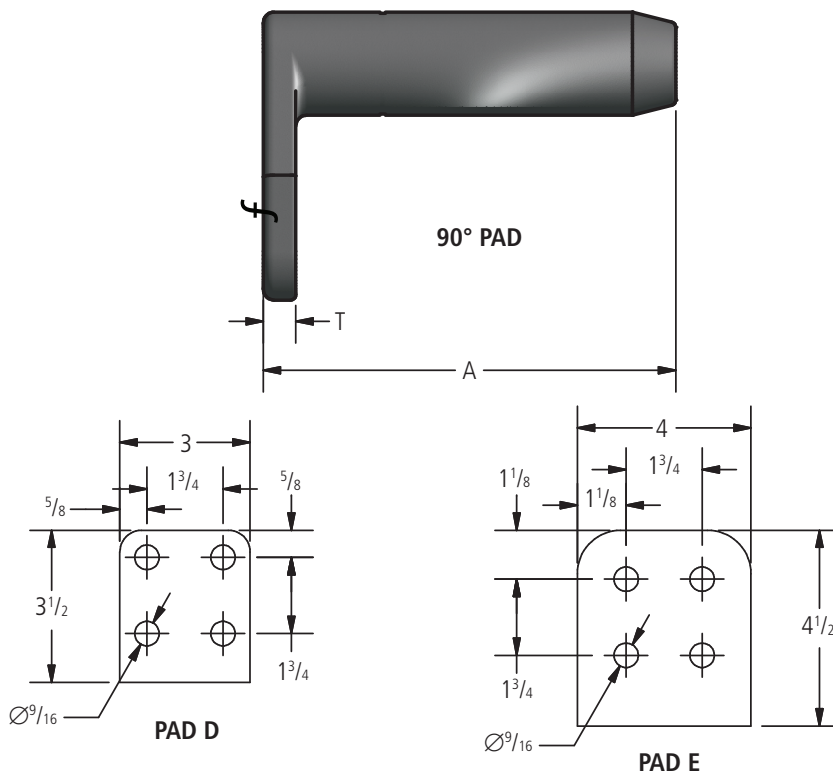
## DOSSERT® Type 3400-EHV

Substation 90° terminals are designed for limited space applications as found in substations. Designed for 500 kV service. Terminals are shorter than conventional terminals which saves space and allows for faster installation. Terminals are installed with standard AFL hex dies. Terminals can be supplied pre filled if required.



### Material

Aluminum Alloy



### Ordering Information

CATALOG NUMBER	CONDUCTOR RANGE			PAD SIZE	DIE SIZE	DIMENSIONS IN INCHES		NOMINAL WEIGHT LBS
	DIAMETER	AAC	ACSR			A	T	
3430.1-EHV	1.026 - 1.196	795 - 900	715.5(26/7) - 954(54/7)	D	30AH	6.03	0.62	1.3
3434.1-EHV	1.186 - 1.313	954 - 1272	954(54/7) - 1192.5(45/7)	D	34AH	6.44	0.62	1.6
3436.1-EHV	1.314 - 1.399	1351 - 1431	1192.5(54/19) - 1351.5(45/7)	D	36AH	6.72	0.62	1.7
3438.1-EHV	1.399 - 1.500	1500 - 1590	1351.5(45/7) - 1510.5(45/7)	D	38AH	6.94	0.62	2.0
3440.1-EHV	1.501 - 1.630	1750 - 2000	1510.5(54/19) - 1780(84/19)	D	40AH	7.38	0.62	2.2
3444.1-EHV	1.630 - 1.681	2000	2034(72/7)	E	44AH	8.22	0.75	3.4
3444.2-EHV	1.669 - 1.823	2250 - 2500	2034(72/7) - 2312(76/19)	E	44AH	8.22	0.75	3.3
3448.1-EHV	1.823 - 1.996	2500 - 2750	2515(76/19)	E	48AH	9.22	0.75	4.5
3448.2-EHV	1.996 - 2.158	2500 - 2750	2515(76/19)	E	48AH	9.22	0.75	4.0

## DOSSERT<sup>®</sup> TYPE S5600-EHV, S5100-EHV

### Terminal Connectors

The S5600-EHV, S5100-EHV Series Terminal Connector is designed for ACSR and AAC conductors. Designed for 500 kV service. The terminal is fabricated from AFL seamless drawn aluminum.

#### Material

Aluminum Alloy

#### Notes

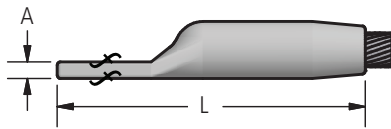
Other pad sizes can be custom ordered.



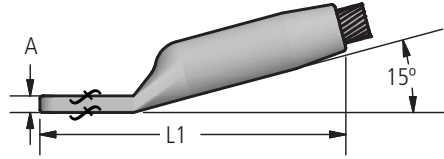
S5600-EHV



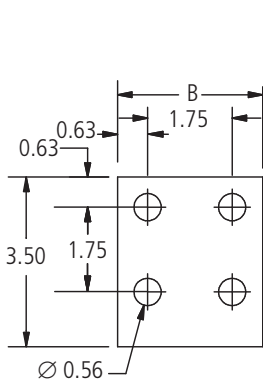
S5100-EHV



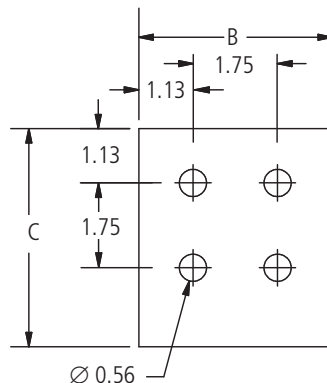
S5600-EHV



S5100-EHV



PAD D



PAD E

### Ordering Information

CATALOG NUMBER		CONDUCTOR					DIE SIZE ALUMINUM HEX DIE	DIMENSIONS IN INCHES					PAD SIZE
STRAIGHT	15 DEGREE	ACSR OR AAC	CODE WORD	SIZE KCMIL	STRANDING AL/ST	DIAMETER IN INCHES		A	B	C	L	L1	
S5624.938DEHV	S5124.938DEHV	ACSR	Flicker	477	24/7	0.846	24AH	0.50	3.00	—	9.25	10.25	D
		ACSR	Hawk	477	26/7	0.858							
		ACSR	Hen	477	30/7	0.883							
		ACSR	Osprey	556.5	18/1	0.879							
		AAC	Dahlia	556.5	19	0.856							
		AAC	Mistletoe	556.5	37	0.858							
S5630.109EHV	S5130.109EHV	AAC	Meadowsweet	600	37	0.891	30AH	0.50	3.00	—	9.67	11.27	D
		ACSR	Stilt	715.5	24/7	1.036							
		ACSR	Starling	715.5	26/7	1.051							
		ACSR	Coot	795	36/1	1.040							
		AAC	Arbutus	795	37	1.026							
		AAC	Lilac	795	61	1.028							
		AAC		800	37	1.031							
		AAC	Heliotrope	800	61	1.031							
S5630.116EHV	S5130.116EHV	ACSR	Redwing	715.5	30/19	1.081	30AH	0.50	3.00	—	12.50	11.27	D
		ACSR	Tern	795	45/7	1.063							
		ACSR	Condor	795	54/7	1.093							
		ACSR	Drake	795	26/7	1.108							
		ACSR	Cuckoo	795	24/7	1.092							
		AAC	Snapdragon	900	61	1.094							

## DOSSERT®

### TYPE S5600-EHV, S5100-EHV (cont.)

#### Terminal Connectors

#### Ordering Information

CATALOG NUMBER		CONDUCTOR					DIE SIZE ALUMINUM HEX DIE	DIMENSIONS IN INCHES					PAD SIZE
STRAIGHT	15 DEGREE	ACSR OR AAC	CODE WORD	SIZE KCMIL	STRANDING AL/ST	DIAMETER IN INCHES		A	B	C	L	L1	
S5630.116EEHV	S5130.116EEHV	ACSR	Redwing	715.5	30/19	1.081	30AH	1.00	4.00	4.50	12.50	11.29	E
		ACSR	Tern	795	45/7	1.063							
		ACSR	Condor	795	54/7	1.093							
		ACSR	Drake	795	26/7	1.108							
		ACSR	Cuckoo	795	24/7	1.092							
		AAC	Snapdragon	900	61	1.094							
S5630.122EHV	S5130.122EHV	ACSR	Mallard	795	30/19	1.140	30AH	0.40	3.00	—	12.50	11.27	D
		ACSR	Ruddy	900	45/7	1.131							
		ACSR	Canary	900	54/7	1.162							
		ACSR	Catbird	954	36/1	1.140							
		ACSR	Rail	954	45/7	1.165							
		AAC	Magnolia	954	37	1.124							
		AAC	Goldenrod	954	61	1.126							
		AAC	Camellia	1000	61	1.152							
		AAC	Bluebell	1033.5	37	1.170							
		AAC	Larkspur	1033.5	61	1.172							
S5630.122EEHV	—	ACSR	Mallard	795	30/19	1.140	30AH	0.50	4.00	4.50	10.05	—	E
		ACSR	Ruddy	900	45/7	1.131							
		ACSR	Canary	900	54/7	1.162							
		ACSR	Catbird	954	36/1	1.140							
		ACSR	Rail	954	45/7	1.165							
		AAC	Magnolia	954	37	1.124							
		AAC	Goldenrod	954	61	1.126							
		AAC	Camellia	1000	61	1.152							
		AAC	Bluebell	1033.5	37	1.170							
		AAC	Larkspur	1033.5	61	1.172							
—	S5130.122EEHV	ACSR	Mallard	795	30/19	1.140	30AH	1.00	4.00	4.50	—	11.27	E
		ACSR	Ruddy	900	45/7	1.131							
		ACSR	Canary	900	54/7	1.162							
		ACSR	Catbird	954	36/1	1.140							
		ACSR	Rail	954	45/7	1.165							
		AAC	Magnolia	954	37	1.124							
		AAC	Goldenrod	954	61	1.126							
		AAC	Camellia	1000	61	1.152							
		AAC	Bluebell	1033.5	37	1.170							
		AAC	Larkspur	1033.5	61	1.172							
S5630.125EHV	S5130.125EHV	ACSR	Cardinal	954	54/7	1.196	30AH	0.40	3.00	—	12.50	11.27	D
S5630.125EEHV	—	ACSR	Tanager	1033.5	36/1	1.186	30AH	0.50	4.00	4.00	10.03	—	E
		ACSR	Cardinal	954	54/7	1.196							
—	S5130.125EEHV	ACSR	Tanager	1033.5	36/1	1.186	30AH	1.00	4.00	4.50	—	11.25	E
		ACSR	Cardinal	954	54/7	1.196							
S5634.128EHV	S5134.128EHV	ACSR	Ortolan	1033.5	45/7	1.212	34AH	0.60	3.00	—	12.20	12.44	D
		AAC	Marigold	1113	61	1.216							
S5634.134EHV	S5134.134EHV	ACSR	Curlew	1033.5	54/7	1.244	34AH	0.60	3.00	—	12.20	12.44	D
		ACSR	Bluejay	1113	45/7	1.259							
		AAC	Hawthorn	1192.5	61	1.258							
S5634.138EHV	S5134.138EHV	ACSR	Narcissus	1272	61	1.300	34AH	0.60	3.00	—	12.20	12.44	D
		ACSR	Bunting	1192.5	45/7	1.302							
S5634.138EHV	S5134.138EHV	ACSR	Finch	1113	54/19	1.293	34AH	0.60	3.00	—	12.20	12.44	D
		ACSR	Bittern	1272	45/7	1.345							
S5636.144EHV	S5136.144EHV	ACSR	Grackle	1192.5	54/19	1.333	36AH	0.60	3.00	—	13.76	12.50	D
		AAC	Columbine	1351	61	1.340							
		AAC	Carnation	1431	61	1.379							
S5636.144EEHV	S5136.144EEHV	ACSR	Bittern	1272	45/7	1.345	36AH	1.00	4.00	4.50	10.85	10.73	E
		ACSR	Grackle	1192.5	54/19	1.333							
		AAC	Columbine	1351	61	1.340							
		AAC	Carnation	1431	61	1.379							
S5636.147EHV	S5136.147EHV	ACSR	Pheasant	1272	54/19	1.382	36AH	0.60	3.00	—	13.76	12.50	D
		ACSR	Dipper	1351.5	45/7	1.386							
		ACSR		1500	91	1.412							
		AAC	Gladiolus	1510.5	61	1.187							

500 kV Compression Connectors

## DOSSERT®

### TYPE S5600-EHV, S5100-EHV (cont.)

#### Terminal Connectors

#### Ordering Information

CATALOG NUMBER		CONDUCTOR					DIE SIZE ALUMINUM HEX DIE	DIMENSIONS IN INCHES					PAD SIZE
STRAIGHT	15 DEGREE	ACSR OR AAC	CODE WORD	SIZE KCMIL	STRANDING AL/ST	DIAMETER IN INCHES		A	B	C	L	L1	
S5638.150EHV	S5138.150EHV	ACSR	Martin	1351.5	54/19	1.424	38AH	0.80	3.00	—	13.94	13.69	D
		ACSR	Bobolink	1431	45/7	1.427							
S5638.150EEHV	S5138.150EEHV	ACSR	Martin	1351.5	54/19	1.424	38AH	1.00	4.00	4.50	11.44	13.69	E
		ACSR	Bobolink	1431	45/7	1.427							
S5638.156EHV	S5138.156EHV	ACSR	Plover	1431	54/19	1.465	38AH	0.70	3.00	—	13.69	13.69	D
		ACSR	Nuthatch	1510.5	45/7	1.466							
		AAC	Coreopsis	1590	61	1.250							
		AAC	Dogwood	1590	91	1.454							
S5638.156EEHV	S5138.156EEHV	ACSR	Plover	1431	54/19	1.465	38AH	1.00	4.00	4.50	11.41	13.94	E
		ACSR	Nuthatch	1510.5	45/7	1.466							
		AAC	Coreopsis	1590	61	1.250							
		AAC	Dogwood	1590	91	1.454							
S5640.162EHV	S5140.162EHV	ACSR	Parrot	1510.5	54/19	1.506	40AH	0.70	4.00	4.50	15.58	14.88	E
		ACSR	Lapwig	1590	45/7	1.504							
		ACSR	Falcon	1590	54/19	1.545							
		AAC	Jessamine	1750	61	1.525							
S5640.162EEHV	S5140.162EEHV	ACSR	Parrot	1510.5	54/19	1.506	40AH	1.00	4.00	4.50	11.83	11.92	E
		ACSR	Lapwig	1590	45/7	1.504							
		ACSR	Falcon	1590	54/19	1.545							
		AAC	Jessamine	1750	61	1.525							
S5642.178EHV	S5142.178EHV	ACSR	Chukar	1780	84/19	1.602	42AH	0.70	4.00	4.50	15.91	15.50	E
		ACSR		2034	72/7	1.681							
		AAC	Cowslip	2000	91	1.630							
S5644.181EHV	S5144.181EHV	ACSR	Kiwi	2167	72/7	1.737	44AH	0.70	4.00	4.50	17.84	16.00	E
		AAC	Sagebrush	2250	91	1.729							
		AAC		2300	61	1.750							
		AAC		2300	91	1.750							
S5644.184EHV	S5144.184EHV	ACSR	Bluebird	2156	84/19	1.762	44AH	0.70	4.00	4.50	17.84	16.00	E
S5644.188EHV	S5144.188EHV	ACSR	Thrasher	2312	76/19	1.802	44AH	0.70	4.00	4.50	17.84	16.00	E
		AAC	Lupine	2500	91	1.823							
S5648.197EHV	S5148.197EHV	ACSR	Joree	2515	76/19	1.880	48AH	0.80	4.00	4.50	17.84	17.06	E
		AAC	Bitterroot	2750	91	1.912							

## DOSSERT® TYPE S5600-45EHV, S5800EHV

### Terminal Connectors

The S5600-45EHV, S5800EHV Series Terminal Connector is designed for ACSR and AAC conductors. Designed for 500 kV service. The terminal is fabricated from AFL seamless drawn aluminum.

#### Material

Aluminum Alloy

#### Notes

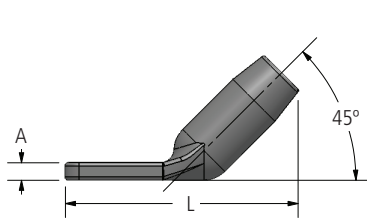
Other pad sizes can be custom ordered.



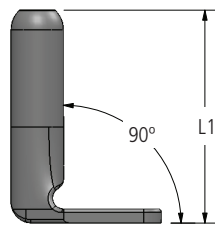
S5600-45EHV



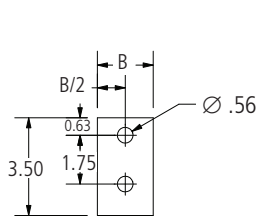
S5800EHV



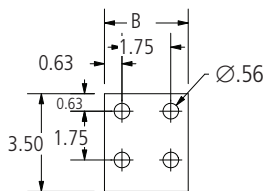
S5600-45EHV



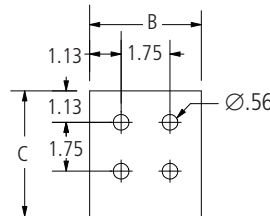
S5800EHV



PAD B



PAD D



PAD E

### Ordering Information

CATALOG NUMBER		CONDUCTOR					DIE SIZE ALUMINUM HEX DIE	DIMENSIONS IN INCHES					PAD SIZE
45 DEGREE	90 DEGREE	AAC OR ACSR	CODE WORD	SIZE KCMIL	STRANDING AL/ST	DIAMETER IN INCHES		A	B	C	L	L1	
S5673.391-45EHV	S5873.391EHV	AAC	Poppy	1/0	7	0.368	73AH	0.20	1.00	—	5.04	5.04	B
S5674.438-45EHV	S5874.438EHV	ACSR	Raven	1/0	6/1	0.398	74AH	0.30	1.00	—	5.28	5.28	B
		AAC	Aster	2/0	7	0.414							
S5674.484-45EHV	S5874.484EHV	ACSR	Quail	2/0	6/1	0.447	74AH	0.30	1.00	—	5.28	5.28	B
		ACSR	Phlox	3/0	7	0.464							
S5675.547-45EHV	S5875.547EHV	ACSR	Pigeon	3/0	6/1	0.502	75AH	0.50	1.00	—	5.71	5.71	B
		AAC	Oxlip	4/0	7	0.522							
S5675.609-45EHV	S5875.609EHV	ACSR	Penguin	4/0	6/1	0.563	75AH	0.50	1.00	—	5.71	5.71	B
		AAC	Valerian	250	19	0.575							
		AAC	Laurel	266.8	19	0.593							
S5676.656-45EHV	S5876.656EHV	ACSR	Waxwing	266.8	18/1	0.609	76AH	0.60	1.30	—	5.35	5.35	B
		AAC	Peony	300	19	0.629							

## DOSSERT®

### TYPE S5600-45EHV, S5800EHV (cont.)

#### Terminal Connectors

#### Ordering Information (cont.)

CATALOG NUMBER		CONDUCTOR					DIE SIZE ALUMINUM HEX DIE	DIMENSIONS IN INCHES					PAD SIZE
45 DEGREE	90 DEGREE	AAC OR ACSR	CODE WORD	SIZE KCMIL	STRANDING AL/ST	DIAMETER IN INCHES		A	B	C	L	L1	
S5676.688-45EHV	S5876.688EHV	ACSR	Owl	266.8	6/7	0.633	76AH	0.60	1.30	—	5.35	5.35	B
		ACSR	Partridge	266.8	26/7	0.642							
		AAC	Tulip	336.4	19	0.666							
S5620.719-45EHV	S5820.719EHV	AAC	Daffodil	350	19	0.679	20AH	0.50	1.30	—	6.13	6.13	B
S5676.719-45EHV	S5876.719EHV	ACSR	Ostrich	300	26/7	0.680	76AH	0.50	1.30	—	5.35	5.35	B
		ACSR	Merlin	336.4	18/1	0.684							
S5676.750-45EHV	S5876.750EHV	AAC	Canna	397.5	19	0.724	76AH	0.50	1.30	—	5.35	5.35	B
S5620.781-45EHV	S5820.781EHV	ACSR	Linnet	336.4	26/7	0.720	20AH	0.50	1.30	—	6.13	6.13	B
		ACSR	Oriole	336.4	30/7	0.741							
		ACSR	Chickadee	397.5	18/1	0.743							
S5676.781-45EHV	S5876.781EHV	ACSR	Linnet	336.4	26/7	0.720	76AH	0.50	1.30	—	5.35	5.35	B
			Chickdee	397.5	18/7	0.743							
S5620.812-45EHV	S5820.812EHV	ACSR	Brant	397.5	24/7	0.772	20AH	0.50	1.30	—	6.13	6.16	B
		AAC	Goldentuft	450	19	0.770							
		AAC	Yarrow	450	37	0.772							
		AAC	Cosmos	477	19	0.793							
		AAC	Syringa	477	37	0.795							
S5620.844-45EHV	S5820.844EHV	ACSR	Ibis	397.5	26/7	0.783	20AH	0.50	1.30	—	6.13	6.13	B
		ACSR	Lark		30/7	0.806							
S5624.875-45EHV	S5824.875EHV	ACSR	Pelican	477	18/1	0.814	24AH	0.60	1.50	—	7.58	7.58	B
		AAC	Cosmos		19	0.793							
		AAC	Syringa		37	0.795							
		AAC	Zinnia	500	19	0.811							
		AAC	Hyacinth		37	0.813							
S5624.938-45EHV	S5824.938EHV	ACSR	Flicker	477	24/7	0.846	24AH	0.60	1.50	—	7.58	7.58	B
			Hawk		26/7	0.858							
			Hen		30/7	0.883							
			Osprey		18/1	0.879							
		AAC	Dahlia	556.5	19	0.856							
			Mistletoe		37	0.858							
			Meadow-sweet		600	37							
S5624.969-45EHV	S5824.969EHV	ACSR	Parakeet	556.5	24/7	0.914	24AH	0.60	1.50	—	7.58	7.58	B
			Dove		26/7	0.927							
		AAC	Orchid	636	37	0.918							
			Heuchera	650		0.928							



## DOSSERT®

### TYPE S5600-45EHV, S5800EHV (cont.)

#### Terminal Connectors

#### Ordering Information (cont.)

CATALOG NUMBER		CONDUCTOR					DIE SIZE ALUMINUM HEX DIE	DIMENSIONS IN INCHES					PAD SIZE
45 DEGREE	90 DEGREE	AAC OR ACSR	CODE WORD	SIZE KCMIL	STRANDING AL/ST	DIAMETER IN INCHES		A	B	C	L	L1	
S5630.109-45EHV	S5830.109EHV	ACSR	Stilt	715.5	24/7	1.036	30AH	0.50	3.00	—	7.63	7.63	D
		ACSR	Starling	715.5	26/7	1.051							
		ACSR	Coot	795	36/1	1.040							
		AAC	Arbutus	795	37	1.026							
		AAC	Lilac	795	61	1.028							
		AAC	—	800	37	1.031							
		AAC	Heliotrope	800	61	1.031							
S5630.116-45EHV	S5830.116EHV	ACSR	Redwing	715.5	30/19	1.081	30AH	0.50	3.00	—	7.63	7.63	D
		ACSR	Tern	795	45/7	1.063							
		ACSR	Condor	795	54/7	1.093							
		ACSR	Drake	795	26/7	1.108							
		ACSR	Cuckoo	795	24/7	1.092							
		AAC	Snapdragon	900	61	1.094							
S5630.122-45EHV	S5830.122EHV	ACSR	Mallard	795	30/19	1.140	30AH	0.40	3.00	—	7.63	7.63	D
		ACSR	Ruddy	900	45/7	1.131							
		ACSR	Canary	900	54/7	1.162							
		ACSR	Catbird	954	36/1	1.140							
		ACSR	Rail	954	45/7	1.165							
		AAC	Magnolia	954	37	1.124							
		AAC	Goldenrod	954	61	1.126							
		AAC	Camellia	1000	61	1.152							
		AAC	Bluebell	1033.5	37	1.170							
		AAC	Larkspur	1033.5	61	1.172							
S5630.125-45EHV	S5830.125EHV	ACSR	Cardinal	954	54/7	1.196	30AH	0.40	3.00	—	7.63	7.63	D
		ACSR	Tanager	1033.5	36/1	1.186							
S5634.128-45EHV	S5834.128EHV	ACSR	Ortolan	1033.5	45/7	1.212	34AH	0.60	3.00	—	8.20	8.20	D
		AAC	Marigold	1113	61	1.216							
S5634.134-45EHV	S5834.134EHV	ACSR	Curlew	1033.5	54/7	1.244	34AH	0.60	3.00	—	8.20	8.20	D
		ACSR	Bluejay	1113	45/7	1.259							
		AAC	Hawthorn	1192.5	61	1.258							
S5634.138-45EHV	S5834.1238EHV	AAC	Narcissus	1272	61	1.300	34AH	0.60	3.00	—	8.20	8.20	D
		ACSR	Bunting	1192.5	45/7	1.302							
		ACSR	Finch	1113	54/19	1.293							

## DOSSERT®

### TYPE S5600-45EHV, S5800EHV (cont.)

#### Terminal Connectors

#### Ordering Information (cont.)

CATALOG NUMBER		CONDUCTOR					DIE SIZE ALUMINUM HEX DIE	DIMENSIONS IN INCHES					PAD SIZE
45 DEGREE	90 DEGREE	AAC OR ACSR	CODE WORD	SIZE KCMIL	STRANDING AL/ST	DIAMETER IN INCHES		A	B	C	L	L1	
S5636.144-45EHV	S5836.144EHV	ACSR	Bittern	1272	45/7	1.345	36AH	0.60	3.00	—	8.23	8.23	D
		ACSR	Grackle	1192.5	54/19	1.333							
		AAC	Columbine	1351	61	1.340							
		AAC	Carnation	1431	61	1.379							
S5636.147-45EHV	S5836.147EHV	ACSR	Pheasant	1272	54/19	1.382	36AH	0.60	3.00	—	8.23	8.23	D
		ACSR	Dipper	1351.5	45/7	1.386							
		ACSR	—	1500	91	1.412							
		AAC	Gladiolus	1510.5	61	1.187							
S5638.150-45EHV	S5838.150EHV	ACSR	Martin	1351.5	54/19	1.424	38AH	0.80	3.00	—	8.85	8.85	D
		ACSR	Bobolink	1431	45/7	1.427							
S5638.156-45EHV	S5838.156EHV	ACSR	Plover	1431	54/19	1.465	38AH	0.70	3.00	—	8.85	8.85	D
		ACSR	Nuthatch	1510.5	45/7	1.466							
		AAC	Coreopsis	1590	61	1.250							
		AAC	Dogwood	1590	91	1.454							
S5638.156-45EEHV	—	ACSR	Plover	1431	54/19	1.465	38AH	1.00	4.00	4.50	7.31	7.31	E
		ACSR	Nuthatch	1510.5	45/7	1.466							
		AAC	Coreopsis	1590	61	1.250							
		AAC	Dogwood	1590	91	1.454							
—	S5838.156EEHV	ACSR	Plover	1431	54/19	1.465	38AH	0.50	4.00	4.00	7.31	7.31	E
		ACSR	Nuthatch	1510.5	45/7	1.466							
		AAC	Coreopsis	1590	61	1.250							
		AAC	Dogwood	1590	91	1.454							
S5640.162-45EHV	S5840.162EHV	ACSR	Parrot	1510.5	54/19	1.506	40AH	0.70	3.00	—	9.95	9.95	D
		ACSR	Lapwing	1590	45/7	1.504							
		ACSR	Falcon	1590	54/19	1.545							
		AAC	Jessamine	1750	61	1.525							
S5642.178-45EHV	S5842.178EHV	ACSR	Chukar	1780	84/19	1.602	42AH	0.70	4.00	4.50	10.28	10.28	E
		ACSR	—	2034	72/7	1.681							
		AAC	Cowslip	2000	91	1.630							
S5644.181-45EHV	S5844.181EHV	ACSR	Kiwi	2167	72/7	1.737	44AH	0.70	4.00	4.50	10.72	10.72	E
		AAC	Sagebrush	2250	91	1.729							
		AAC	—	2300	61	1.750							
		AAC	—	2300	91	1.750							

## DOSSERT®

### TYPE S5600-45EHV, S5800EHV (cont.)

#### Terminal Connectors

#### Ordering Information (cont.)

CATALOG NUMBER		CONDUCTOR					DIE SIZE ALUMINUM HEX DIE	DIMENSIONS IN INCHES					PAD SIZE
45 DEGREE	90 DEGREE	AAC OR ACSR	CODE WORD	SIZE KCMIL	STRANDING AL/ST	DIAMETER IN INCHES		A	B	C	L	L1	
S5644.184-45EHV	S5844.184EHV	ACSR	Bluebird	2156	84/19	1.762	44AH	0.70	4.00	4.50	10.72	10.72	E
S5644.188-45EHV	S5844.188EHV	ACSR	Thrasher	2312	76/19	1.802	44AH	0.70	4.00	4.50	10.72	10.72	E
		AAC	Lupine	2500	91	1.823							
S5648.197-45EHV	S5848.197EHV	ACSR	Joree	2515	76/19	1.880	48AH	0.80	4.00	4.50	11.35	11.35	E
		AAC	Bitterroot	2750	91	1.912							

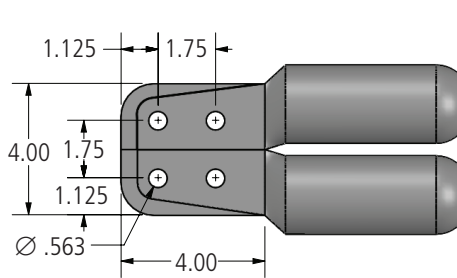
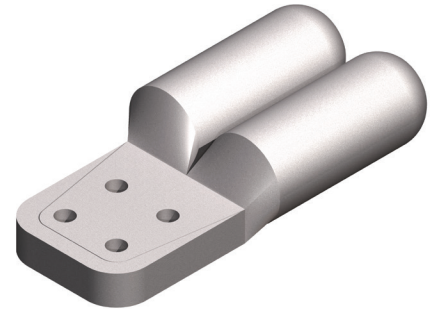
## DOSSERT® TYPE DP2L-V-EC

### Substation Compression Terminal

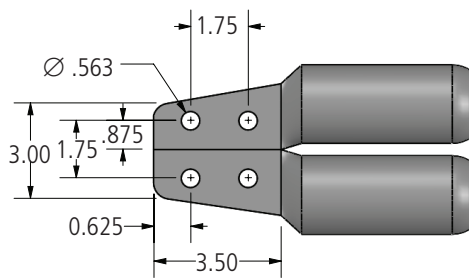
Use for cable to terminal application. Designed for 500 kV service.

#### Material

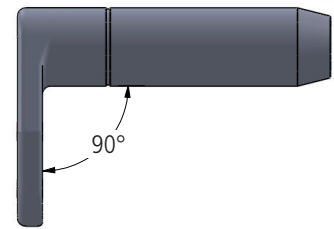
Aluminum Alloy



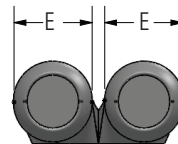
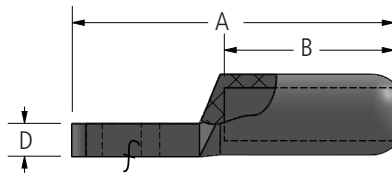
DP2L-4N4-V-EC SERIES



DP2L-4N-V-EC SERIES



DP2LA-N-90-V-EC SERIES



### Ordering Information

CATALOG NUMBER	CONDUCTOR RANGE			DIMENSIONS IN INCHES				DIE SIZE
	IN	AAC	ACSR	A	B	D	E	
DP2L100-4N-V-EC	1.026 - 1.196	795 - 1033.5	715.5(24/7) - 954(54/7)	8.84	4.09	1.00	1.88	30AH
DP2L100-4N4-V-EC				9.46				
DP2L127-4N-V-EC	1.186 - 1.313	1113 - 1272	954(54/7) - 1192.5(45/7)	9.19	4.44	1.00	2.12	34AH
DP2L127-4N4-V-EC				9.82				
DP2L151-4N4-V-EC	1.314 - 1.399	1300 - 1431	1192.5(54/19) - 1351.5(45/7)	10.53	4.95	1.00	2.25	36AH
DP2LA151-4N4-90-V-EC				—				
DP2L160-4N-V-EC	1.399 - 1.500	1500 - 1590	1351.5(54/19) - 1510.5(45/7)	9.69	4.94	1.00	2.38	38AH
DP2L160-4N4-V-EC				10.32				
DP2L180-4N-V-EC	1.501 - 1.630	1750 - 2000	1510.5(54/19) - 1780(84/19)	10.14	—	1.00	2.50	40AH
DP2L180-4N4-V-EC				11.14				
DP2L250-4N4-V-EC	1.802 - 1.857	2500	2300(96/19) - 2312(76/19)	11.77	6.34	1.00	2.75	44AH
DP2LA250-4N4-90-V-EC				—				