

Table of Contents

765 kV

765 kV Table of Contents	605
Pictorial Index	607

Bus Supports

Type B6998 Series	609
Type B7107 Series	610
Type B7582-A Series	611
Type C7009 Series	612

Couplers

Type B7070 Series	613
Type WWC-AA, WWC-E-AA	614

Corona Bells

Type 34443, CXBV600 Series	615
----------------------------------	-----

Tee Connectors

Type BAC-EHV-AA	616
Type BCW-EHV-AA	617
Type B7568-A Series	618
Type B7071 Series	619
Type B7072 Series	620
Type B7095 Series	621
Type B7006 Series	622
Type B7875 Series	623
Type B7096-A Series	624
Type B7566, B7565 Series	625
Type B7876, B7882 Series	626
Type WT-EHV-AA	627
Type WRP2CA-20-EHV-AA, WRP2CA-45-EHV-AA	628

Terminal Connectors

Type WPC-4S4-AA-WH, WPCA-4S4-90-AA-WH	629
Type WPCA-20-AA-WH, WPCA-45-AA-WH, WPCA-75-AA-WH	630
Type WPCA-15L-AA-WH, WPCA-15R-AA-WH, WPCA-15L-20-AA-WH, WPCA-15R-20-AA-WH	631
Type B7094, B7567 Series	632
Type B7001 Series	633
Type WP2CA-45-EHV-AA	634
Type B7583-A Series	635
Type B7878-A Series	636

Ground Stud

Type 34640-EHV Series	637
-----------------------------	-----

Spacer Clamps

Type C6999-A, B7073 Series	638
----------------------------------	-----

Vibration Damper

Type 1705, B7384 Series	639
-------------------------------	-----

Stud Connector

Type B7004-A Series	640
Type B7074-A Series	641
Type B7108-A Series	642
Type B7879-A, B7880 Series	643







745 kV Aluminum Accessories









745 kV Aluminum Accessories

765 kV Bus Supports	
	B6998 SERIES PG. 609
	B7101 SERIES PG. 610
	B7582 SERIES PG. 611
	C7009 SERIES PG. 612
765 kV Couplers	
	B7070 SERIES PG. 613
	WWC-AA, WWC-E-AA PG. 614
765 kV Corona Bells	
	34433 SERIES PG. 615
	CXBV600 SERIES PG. 615

765 kV Tee Connectors	
	BAC-EHV-AA PG. 616
	BCW-EHV-AA PG. 617
	B7568-A SERIES PG. 618
	B7071 SERIES PG. 619
	B7072 SERIES PG. 620
	B7095 SERIES PG. 621
	B7006 SERIES PG. 622
	B7875 SERIES PG. 623
	B7096-A SERIES PG. 624

	B7566 SERIES PG. 625
	B7565 SERIES PG. 625
	B7876 SERIES PG. 626
	B7882 SERIES PG. 626
	WT-EHV-AA PG. 627
	WRP2CA-20-EHV-AA PG. 628
	WRP2CA-45-EHV-AA PG. 628
765 kV Terminal Connectors	
	WPC-4S4-AA-WH PG. 629
	WPCA-4S4-90-AA-WH PG. 629

	WPCA-20-AA-WH
	PG. 630
	WPCA-45-AA-WH
	PG. 630
	WPCA-75-AA-WH
	PG. 631
	WPCA-15L-AA-WH
	PG. 631
	WPCA-15R-AA-WH
	PG. 631
	WPCA-15R-20-AA-WH
	PG. 631
	WPCA-15L-20-AA-WH
	PG. 631
	B7094 SERIES
	PG. 632
	B7567 SERIES
	PG. 632
	B7001 SERIES
	PG. 633

	WP2CA-45-EHV-AA
	PG. 634
	B7583-A SERIES
	PG. 635
	B7878-A SERIES
	PG. 636
765 kV Ground Jumpers	
	34640-EHV SERIES
	PG. 637
765 kV Spacer Clamps	
	B7073 SERIES
	PG. 638
	C6999-A SERIES
	PG. 638
765 kV Vibration Dampers	
	1705 SERIES
	PG. 639
	B7384 SERIES
	PG. 639

765 kV Stud Connectors	
	B7004-A SERIES
	PG. 640
	B7074-A SERIES
	PG. 641
	B7108-A SERIES
	PG. 642
	B7879-A SERIES
	PG. 643
	B7880 SERIES
	PG. 643

DOSSERT® TYPE B6998 Series

Bolted Support, Slip or Fixed Fit
Recommended for Voltages Up to 765 kV

Support is designed to be corona free for 765 kV operation. Support can be supplied for fixed fit or slip fit applications. For slip fit application, stainless steel chatter springs are supplied. Aluminum mounting hardware is supplied as standard; galvanized steel can be furnished on request.

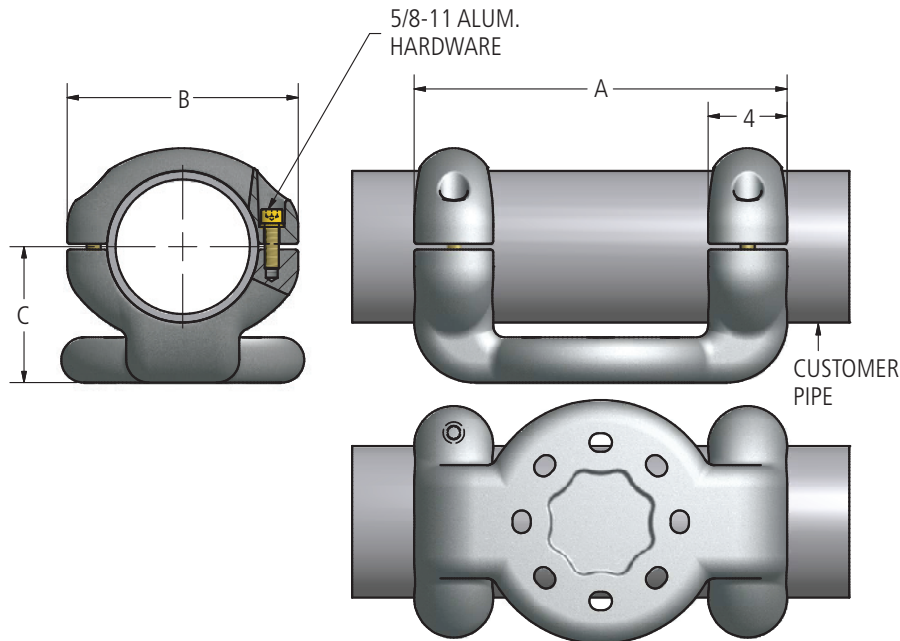


Material

Aluminum Alloy

Hardware

Yellow anodized aluminum bolts, nuts, and lockwashers.
Galvanized steel mounting hardware included.



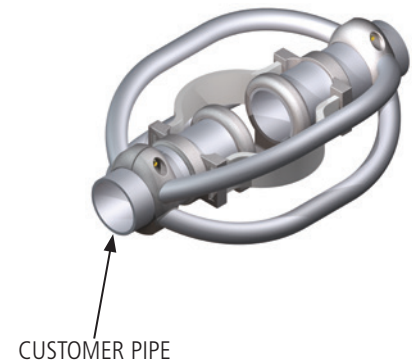
Ordering Information

CATALOG NUMBERS	CONDUCTOR SIZE TUBULAR BUS SPS & EHPS	SLIP OR FIXED	BOLT CIRCLE	DIMENSIONS IN INCHES			NOMINAL WEIGHT LBS
				A	B	C	
B6998-A	6"	Fixed	7"	16.28	10.55	5.50	27.0
B6998-B	6"	Slip	7"	16.28	10.55	5.50	27.6
B6998-C	5"	Fixed	7"	16.50	9.62	5.00	25.0
B6998-D	5"	Slip	7"	16.50	9.62	5.00	25.6
B6998-E	8" O.D.	Fixed	7"	16.50	12.06	5.75	30.0
B6998-F	8" O.D.	Slip	7"	16.50	12.06	5.75	30.6
B6998-G	6"	Fixed	5"	14.50	10.55	5.50	26.5
B6998-H	6"	Slip	5"	14.50	10.55	5.50	27.7
B6998-K	6"	Fixed	3"	12.25	10.55	5.50	24.3

DOSSERT® TYPE B7107 Series

Welded Support, Expansion Type Recommended for Voltages Up to 765 kV

Expansion support is designed to be corona free for 765 KV operation. Expansion support is designed for maximum bus run of 150 feet (46 m) operating between a minimum temperature of -20°F (-28.9°C) and a maximum temperature of 200°F (93.3°C). Assembly consists of support, expansion straps, corona rings and hardware. Stainless steel chatter springs are supplied with corona ring and support assembly. Aluminum mounting hardware is supplied as standard, galvanized steel can be furnished on request. Weldment end plugs can be furnished if required.

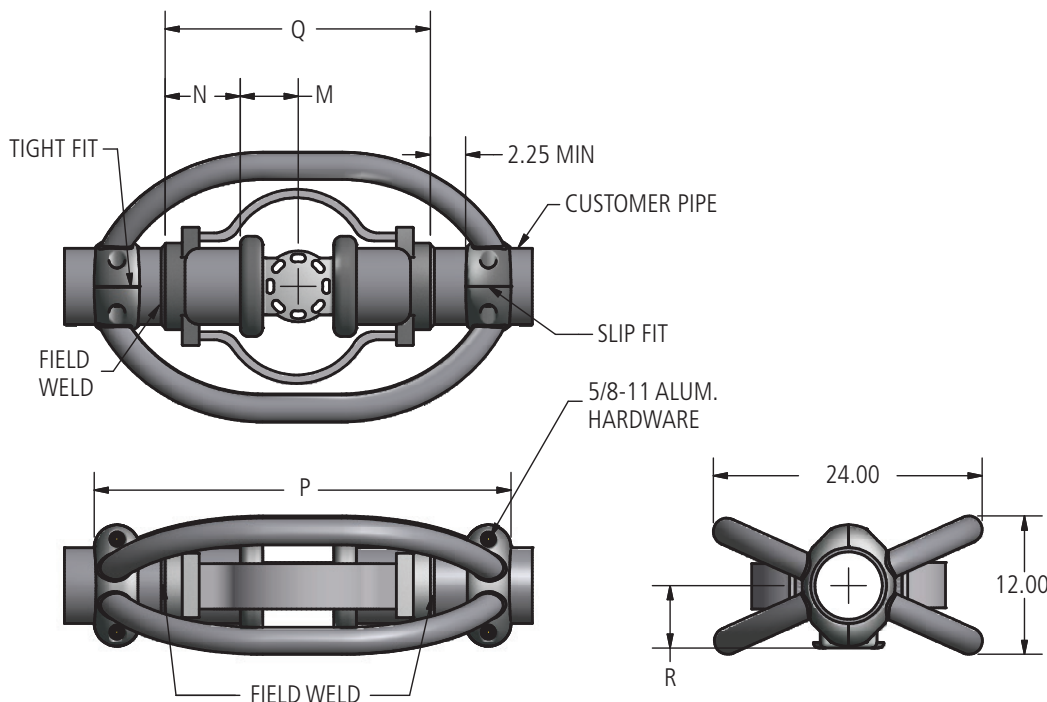


Material

Aluminum Alloy

Hardware

Yellow anodized aluminum bolts, nuts, and lockwashers.
Galvanized steel mounting hardware included.



Ordering Information

CATALOG NUMBERS	CONDUCTOR SIZE TUBULAR BUS SPS & EHPS	BOLT CIRCLE	DIMENSIONS IN INCHES					NOMINAL WEIGHT LBS
			M	N	P	Q	R	
B7107-A	6"	7"	5.25	4.81	36.75	23.38	5.50	66.6
B7107-B	6"	5"	4.12	5.94	36.75	23.38	5.50	64.3
B7107-C	5"	7"	6.38	4.00	37.34	20.75	5.00	45.4

DOSSERT® TYPE B7582-A Series

**Tee Connector, Bolted, Welded Expansion Type
Recommended for Voltages Up to 765 kV**

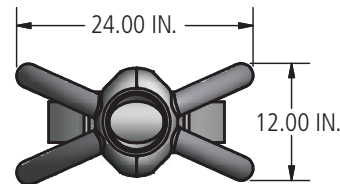
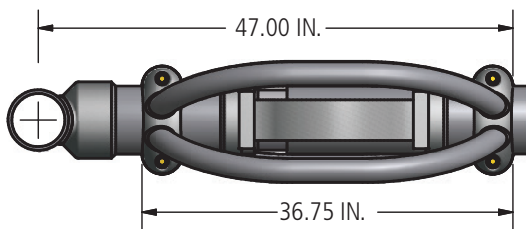
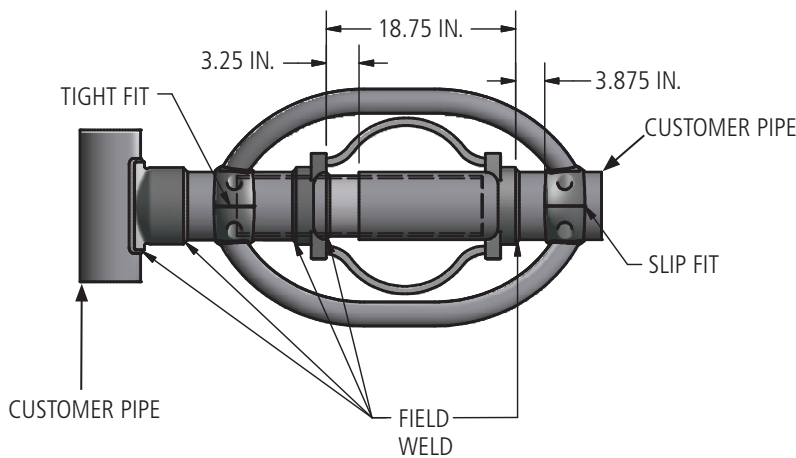
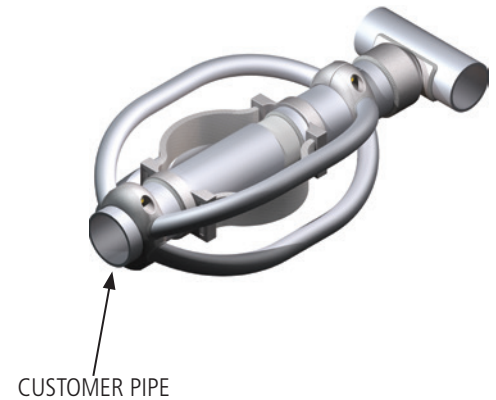
Expansion tee is designed to be corona free for 765 kV operation. Expansion tee is designed for maximum bus run of 150 feet (46M) operating between a minimum temperature of -20°F (-28.9°C) and maximum temperature of 200°F (93.3°C). Assembly consists of weld tee, guide insert, expansion straps, corona rings and hardware. Stainless steel chatter springs are supplied with corona ring assembly.

Material

Aluminum Alloy

Hardware

Yellow anodized aluminum bolts, nuts, washers, lockwashers.



Ordering Information

CATALOG NUMBERS	CONDUCTOR SIZE TUBULAR BUS		NOMINAL WEIGHT LBS
	RUN	TAP	
B7582-A	5"	6"	74.9
	6"	6"	74.9

DOSSERT® TYPE C7009 Series

Bi-Spacer Support for Strained Conductor Recommended for Voltages Up to 765 kV

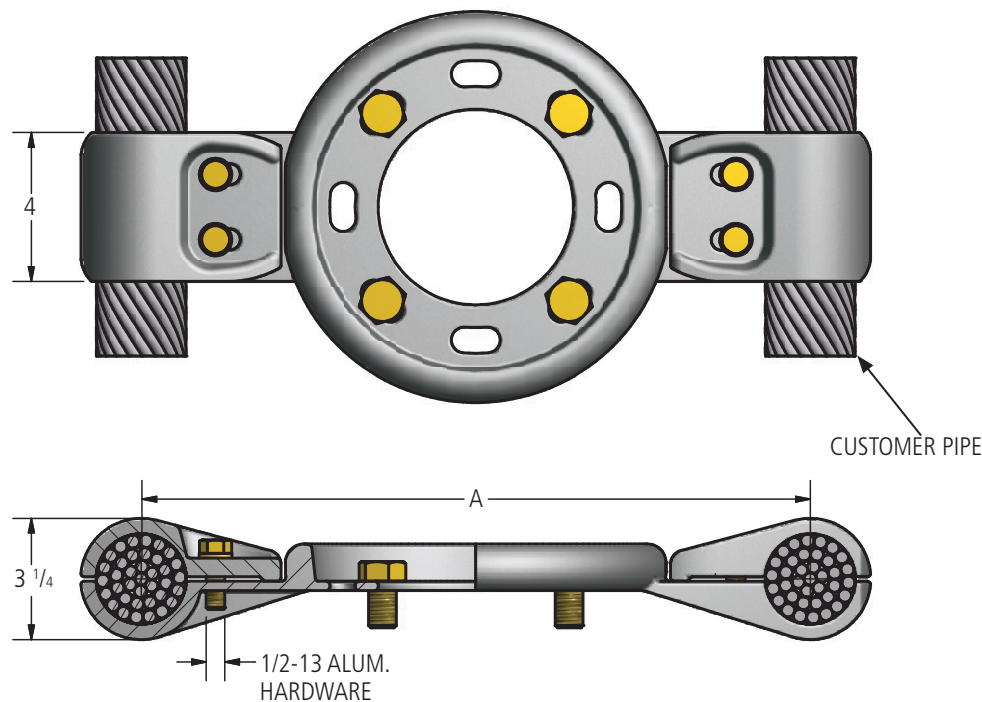
Support is designed to be corona free for 765 KV operation. Aluminum insulator mounting hardware is supplied as standard; galvanized steel hardware can be furnished on request.

Material

Aluminum Alloy

Hardware

Yellow anodized aluminum bolts, nuts, and lockwashers.
Galvanized steel mounting hardware included.



Ordering Information

CATALOG NUMBERS	DIMENSIONS IN INCHES			NOMINAL WEIGHT LBS
	CONDUCTOR SIZE	BOLT CIRCLE	A	
	O.D.			
C7009-A	2.4	7"	18.00	11.4
C7009-B	2.311	7"	17.75	11.4
C7009-C	2.4	5"	18.00	11.4

DOSSERT® TYPE B7070 Series

**Coupler, Bolted, For Tubular Bus Conductor
Recommended for Voltages Up to 765 kV**

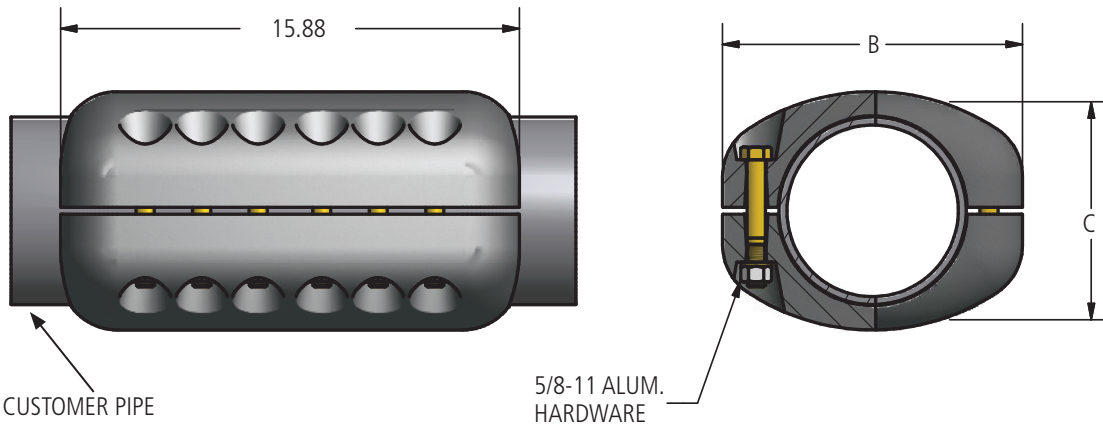
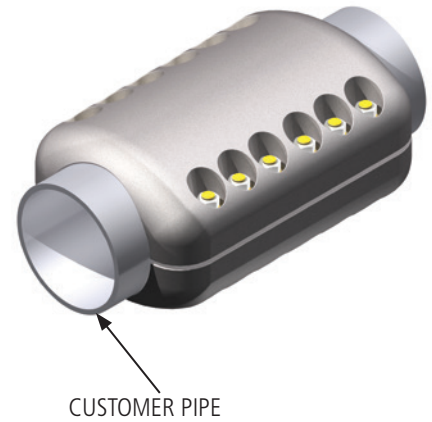
Bolted coupler is designed to be corona free for 765kV operation. Bolt heads are captive for one wrench installation. Contact surfaces are protected with oxide inhibitor.

Material

Aluminum Alloy

Hardware

Yellow anodized aluminum bolts, nuts, washers, and lockwashers.



Ordering Information

CATALOG NUMBERS	CONDUCTOR SIZE TUBULAR BUS SPS & EHPS	DIMENSIONS IN INCHES		NOMINAL WEIGHT LBS
		B	C	
B7070-A	6	10.38	8.08	40.6
B7070-B	5	9.56	7.06	36.8

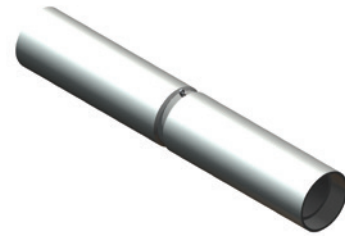
765 kV Couplers

DOSSERT®

TYPE WWC-AA, WWC-E-AA

Aluminum Welded Coupler Rated for 765 kV

Coupler is designed to make connections with high mechanical strength and high electrical conductivity.

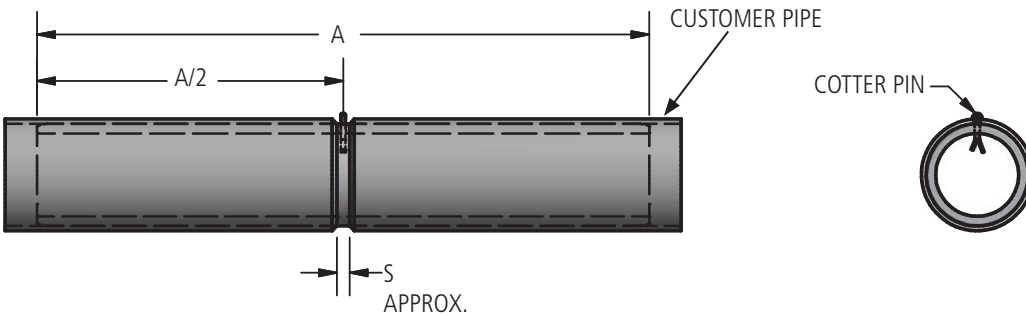


Material

Aluminum tubing

Hardware

Aluminum cotter pin



Ordering Information

CATALOG NUMBER		SPS / EPHS	DIMENSIONS (INCHES)	
SCHEDULE 40	SCHEDULE 80		A	S
WWC600-AA	WWC600E-AA	6	24	5/8

DOSSERT®
TYPE 34433, CXBV600 Series

End Plug For Round Tubular Bus
Recommended for Voltages Up to 765 kV

Corona bell is designed to be corona free for 765 kV service.



34433-EHV

Material

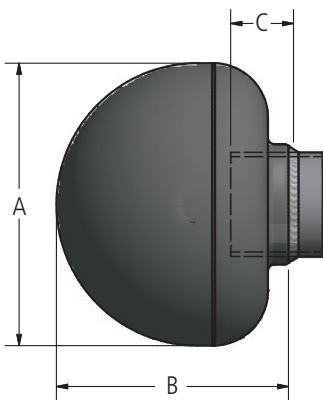
Aluminum Alloy

Hardware

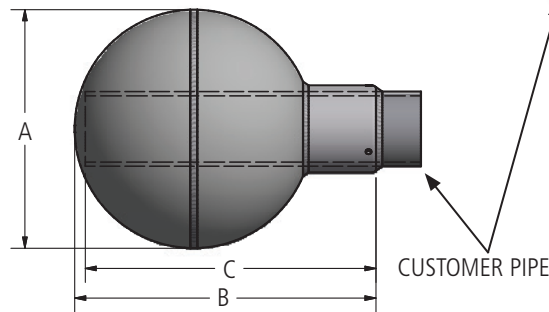
Stainless steel socket set screws (for Bolted style only)



CXBV600-21-EHV-AA



WELDED 34433 EHV



BOLTED CXBV600-21-EHV-AA

Ordering Information

CATALOG NUMBERS	CONDUCTOR SIZE TUBULAR BUS SPS & EHPS	DIMENSIONS IN INCHES			NOMINAL WEIGHT LBS
		A	B	C	
34433EHV	6	17.00	13.25	3.88	18.8
CXBV600-21-EHV-AA	6	21.00	22.12	20.90	30.7

DOSSERT® TYPE BAC-EHV-AA

Recommended for Voltages Up to 765 kV

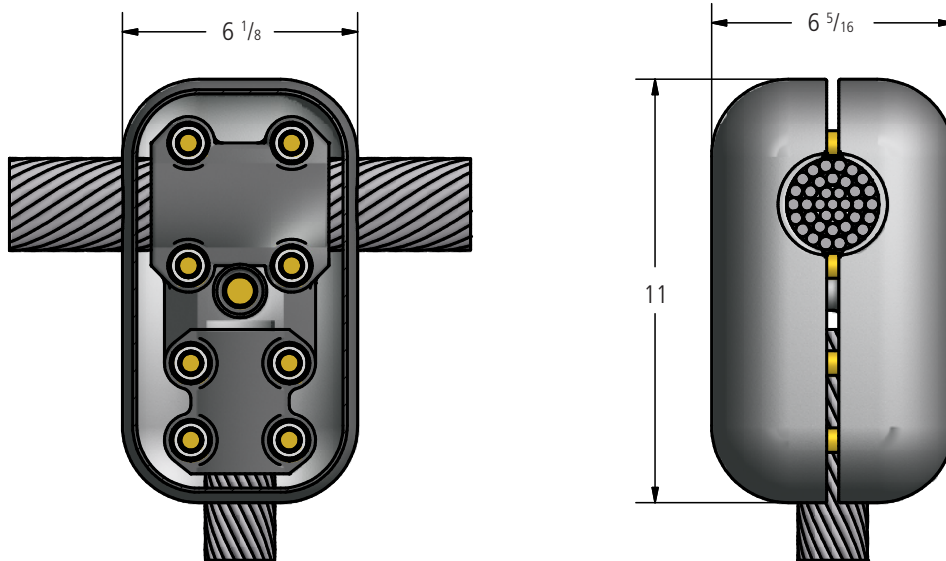
Bolted tee connector is designed to be corona free for 765 kV operation.

Material

Aluminum Alloy

Hardware

Yellow anodized aluminum bolts, nuts, and lockwashers.



765 kV
Tee Connectors

Ordering Information

CATALOG NUMBER	CABLE SIZE	
	RUN	TAP
BAC240R-135A-EHV-AA	2.40 DIA. ALUM.	1351, 5 (45/7) ACSR.
BAC240R-240R-EHV-AA	2.40 DIA. ALUM.	2.40 DIA. ALUM.
BAC240R-250-EHV-AA	2.4 DIA. ALUM.	2500 MCM AL 2156 ACSR
BAC250-250-EHV-AA	2500 MCM AL. 2156 ACSR	2500 MCM AL 2156 ACSR

DOSSERT® TYPE BCW-EHV-AA

Tee Connector

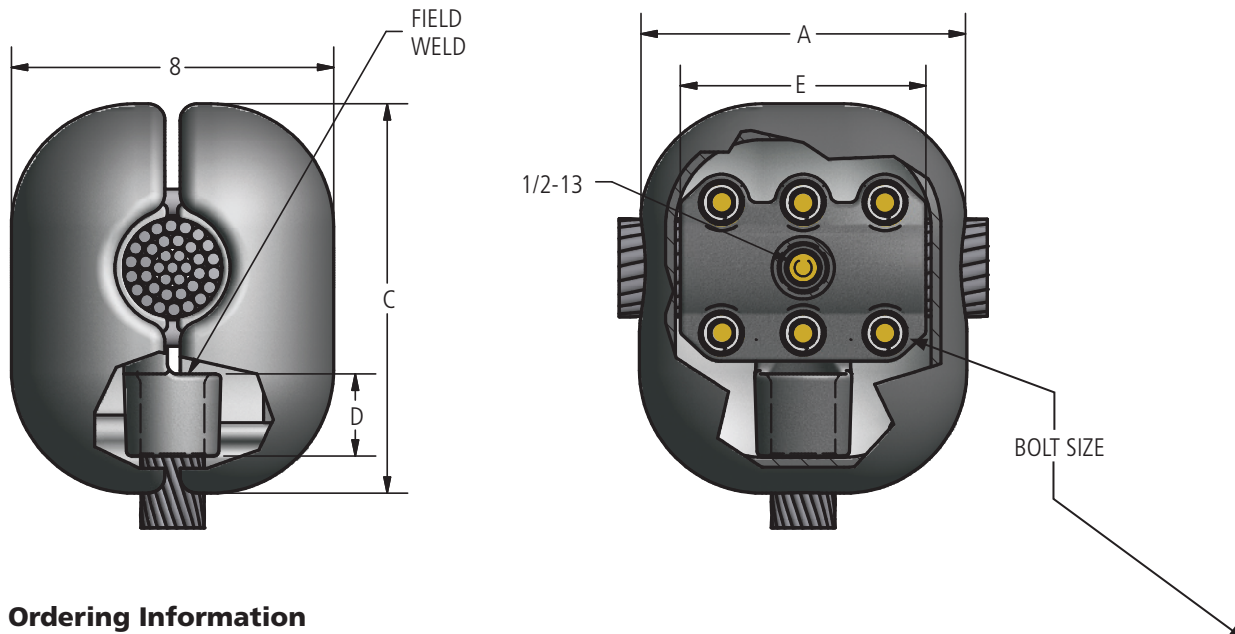
Bolted tee connector is designed to be corona free for 765 kV operation.

Material

Aluminum alloy

Hardware

Yellow anodized aluminum bolts, nuts, and lockwashers.



765 kV
Tee Connectors

Ordering Information

CATALOG NUMBER	CABLE SIZE		DIMENSIONS IN INCHES				BOLT SIZE
	RUN	TAP	A	C	D	E	
BCW95A-240R-EHV-AA	715.5(26/7) - 954(54/7) MCM	2.4 OD	8	9 1/8	2 3/4	5 1/2	1/2
BCW135A-240R-EHV-AA	1192.5(54/19) - 1351.5(45/7) MCM	2.4 OD	8	9 1/2	2 3/4	5 1/2	1/2
BCW240R-95A-EHV-AA	2.4 OD	715.5(26/7) - 954(54/7) MCM	8	9 1/2	1 3/4	6	5/8
BCW240R-135A-EHV-AA	2.4 OD	1192.5(54/19) - 1351.5(45/7) MCM	8	9 1/2	2	6	5/8
BCW240R-240R-EHV-AA	2.4 OD	2.4 OD	12	10	2 3/4	10	5/8

DOSSERT® TYPE B7568-A Series

**Tee Connector, Bolted, For Tubular Bus Conductor
Recommended for Voltages up to 765 kV**

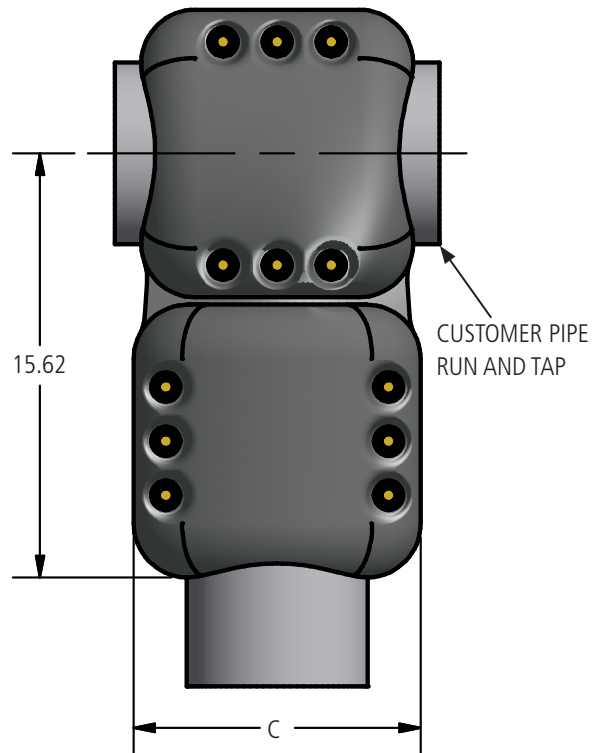
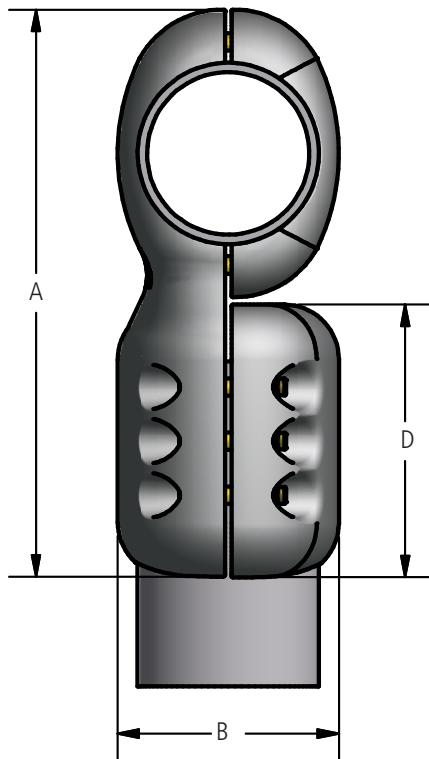
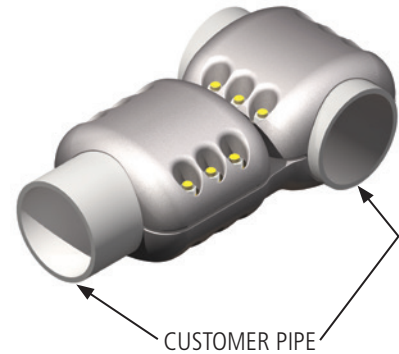
Bolted tee connector is designed to be corona free for 765 kV operation. Bolt heads are captive for one wrench installation. Contact surfaces are protected with oxide inhibitor.

Material

Aluminum Alloy

Hardware

Yellow anodized aluminum bolts, nuts, washers, lockwashers.



Ordering Information

CATALOG NUMBER	CONDUCTOR SIZE TUBULAR BUS SPS & EHPS		DIMENSIONS IN INCHES				NOMINAL WEIGHT LBS
	RUN	TAP	A	B	C	D	
B7568-A	6"	6"	20.95	8.18	10.66	10.07	44.0

DOSSERT® TYPE B7071 Series

Welded Tee Adapter, NPS to Two Conductors Recommended for Voltages up to 765 kV

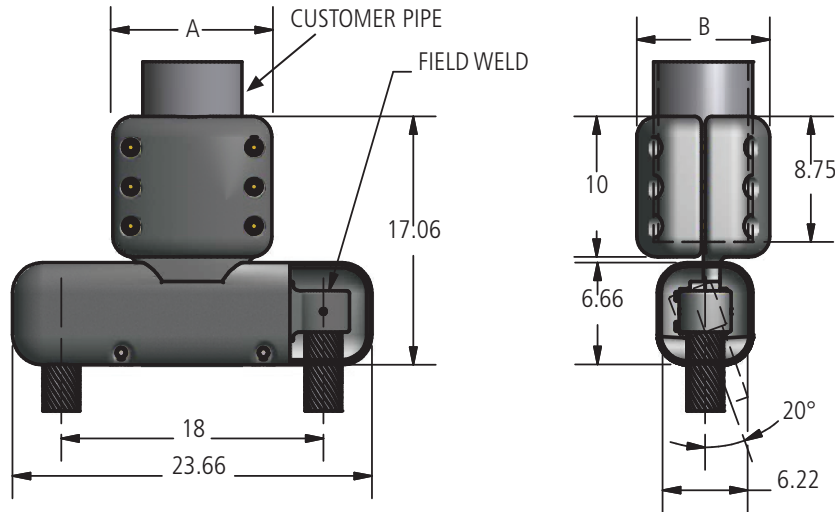
Bolted adapter is designed to be corona free for 765 KV operation. Assembly consists of bolted end connector, two terminals, corona shields and hardware. Bolt heads are captive for one wrench installation.

Material

Aluminum Alloy

Hardware

Yellow anodized aluminum bolts, nuts, washers, lock washers



Ordering Information

CATALOG NUMBER	CONDUCTOR SIZE TUBULAR BUS		TERMINAL ANGLE	DIMENSIONS IN INCHES		NOMINAL WEIGHT LBS
	SPS	STRAIN BUS		A	B	
B7071-A	6"	2.4	STR.	10.62	8.12	51.1
B7071-B	6"	2.4	20°	10.62	8.12	50.9
B7071-C	5"	2.4	STR.	9.56	7.06	49.4
B7071-D	5"	2.4	20°	9.56	7.06	49.2

DOSSERT® TYPE B7072 Series

Welded Tee Adapter, NPS to Two Conductors Recommended for Voltages up to 765 kV

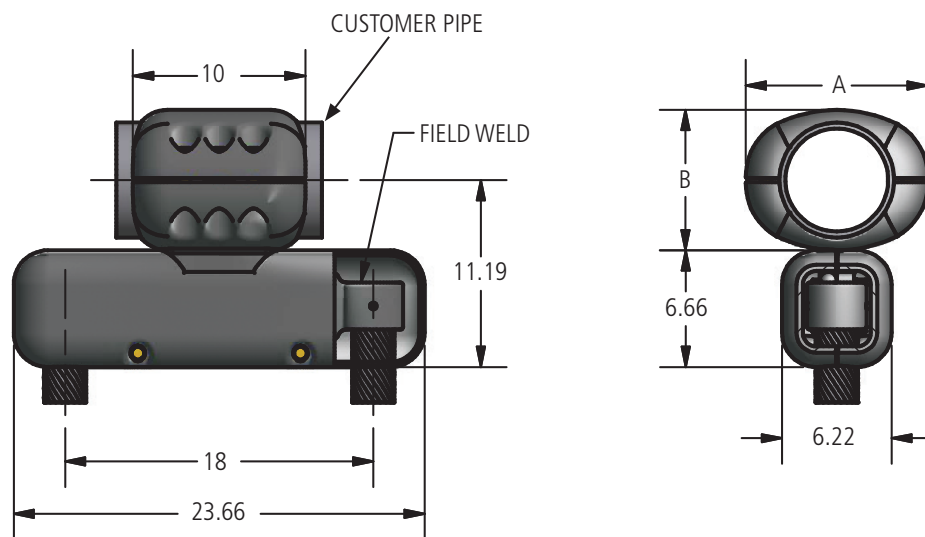
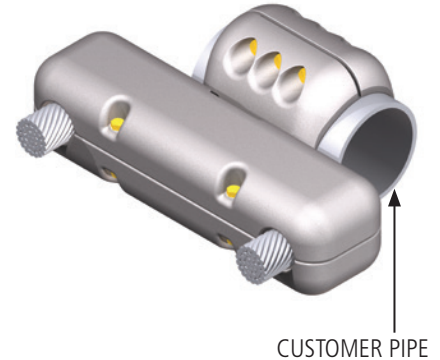
Bolted adapter is designed to be corona free for 765 KV operation. Assembly consists of bolted end connector, two terminals, corona shields and hardware. Bolt heads are captive for one wrench installation.

Material

Aluminum Alloy

Hardware

Yellow anodized aluminum bolts, nuts, washers, lockwashers.



Ordering Information

CATALOG NUMBER	CONDUCTOR SIZE TUBULAR BUS		DIMENSIONS IN INCHES		NOMINAL WEIGHT LBS
	SPS & EHPS	STRAIN BUS	A	B	
B7072-A	6"	2.4	10.66	8.12	47.1
B7072-B	5"	2.4	9.50	7.06	44.4

DOSSERT® TYPE B7095 Series

**Tee Adapter – 45°, Bolted, NPS to Two Conductor Bundle
Recommended for Voltages up to 765 kV**

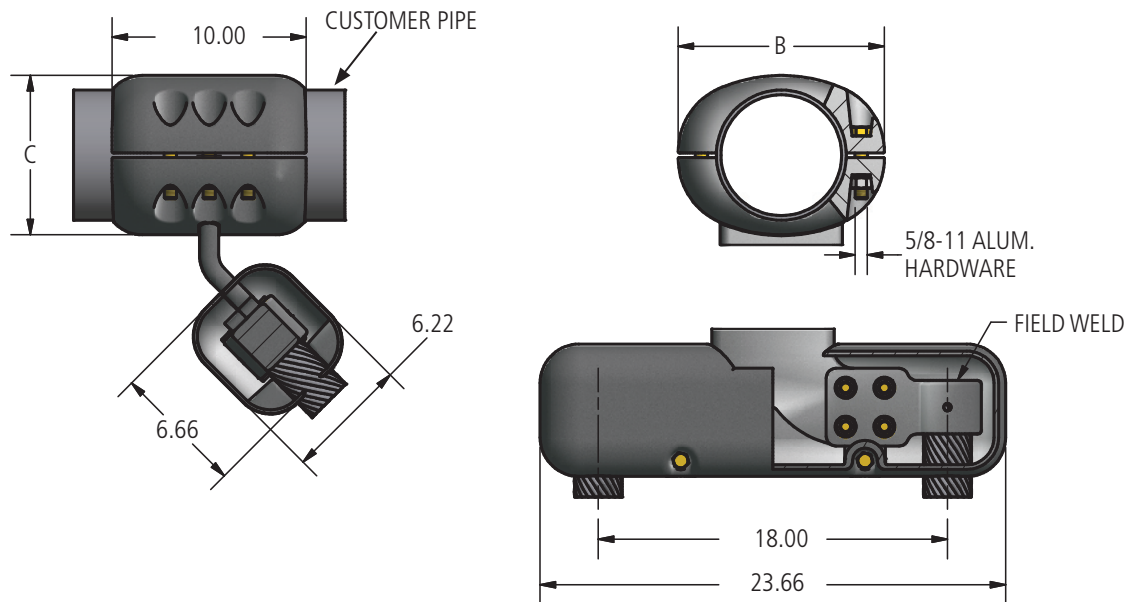
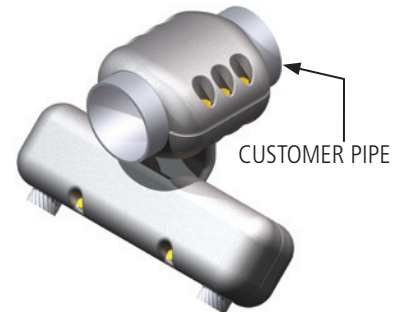
Bolted 45° tee adapter is designed to be corona free for 765 kV operation. Assembly consists of bolted 45° tee connector, two terminals, corona shields and hardware. Bolt heads are captive for one wrench installation. Contact surfaces are protected with oxide inhibitor.

Material

Aluminum Alloy

Hardware

Yellow anodized aluminum bolts, nuts, washers, lockwashers.



Ordering Information

CATALOG NUMBER	CONDUCTOR SIZE		DIMENSIONS IN INCHES		NOMINAL WEIGHT LBS
	TUBULAR BUS SPS & EHPS	STRAIN BUS	B	C	
B7095-A	6"	2.4	10.66	8.12	46.8
B7095-B	5"	2.4	9.50	7.06	44.1

DOSSERT® TYPE B7006 Series

Tee Adapter, Welded, NPS to Conductor Bundle
Recommended for Voltages up to 765 kV

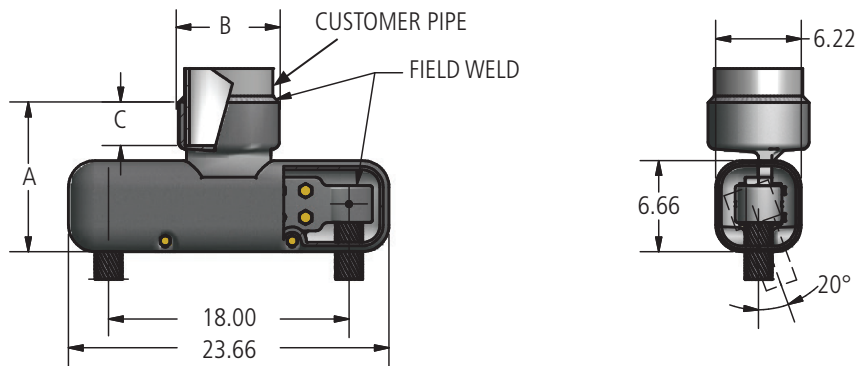
Welded end adapter is designed to be corona free for 765 kV operation. Assembly consists of welded end connector, two or three terminals, corona shields and hardware.

Material

Aluminum Alloy

Hardware

Yellow anodized aluminum bolts, nuts, washers, lockwashers.



Ordering Information

CATALOG NUMBER	CONDUCTOR SIZE		TERMINAL ANGLE	DIMENSIONS IN INCHES			NOMINAL WEIGHT LBS	
	TUBULAR BUS SPS & EHPS	STRAIN		A	B	C		
		MIN						MAX
B7006-A	6	2.4		STR.	11.19	7.56	3.25	32.8
B7006-B	6	2.4		20°	11.19	7.56	3.25	32.6
B7006-C	5	2.4		STR.	10.69	6.38	2.75	30.6
B7006-D	5	2.4		20	10.69	6.38	2.75	30.4
B7006-E	6	1.361	1.423	STR.	11.19	7.56	3.25	32.8
B7006-F	6	1.361	1.423	20°	11.19	7.56	3.25	32.6

765 kV
Tee Connectors

DOSSERT® TYPE B7875 Series

Tee Adapter, Welded, NPS to Conductor Bundle Recommended for Voltages up to 765 kV

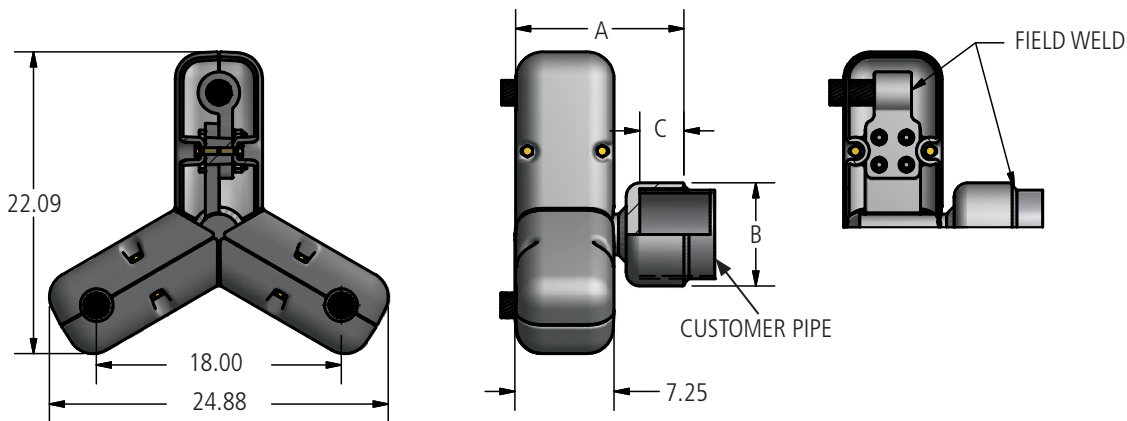
Welded end adapter is designed to be corona free for 765 kV operation. Assembly consists of welded end connector, two or three terminals, corona shields and hardware.

Material

Aluminum Alloy

Hardware

Yellow anodized aluminum bolts, nuts, washers, lockwashers.



Ordering Information

CATALOG NUMBER	CONDUCTOR SIZE		DIMENSIONS IN INCHES			NOMINAL WEIGHT LBS
	TUBULAR BUS SPS & EHPS	STRAIN BUS DIAMETER	A	B	C	
B7875-A	6"	1.981 - 2.042	12.38	7.56	3.25	52.5

DOSSERT® TYPE B7096-A Series

**Adapter, Welded, NPS to Three Conductor Bundle
Recommended for Voltages up to 765 kV**

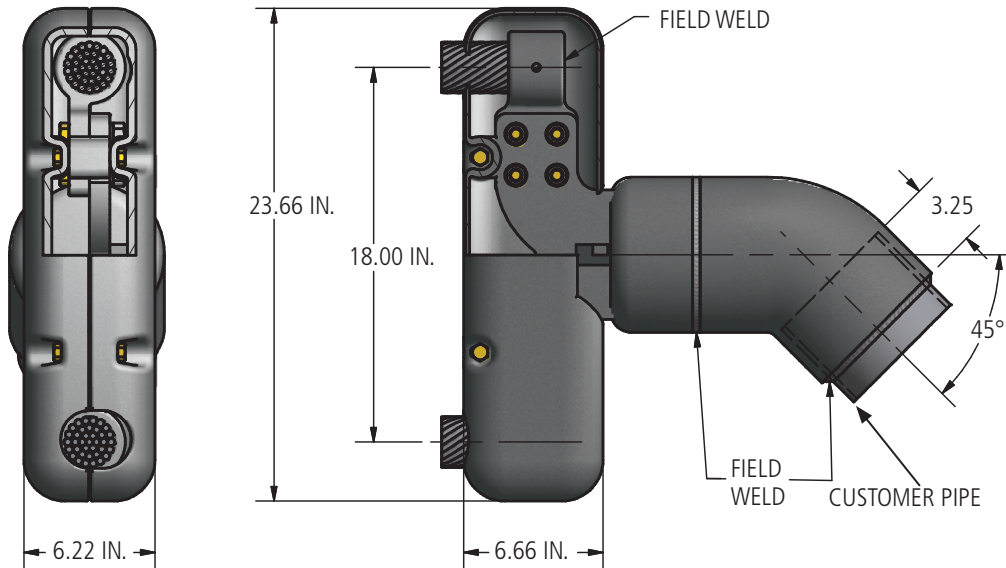
Welded 45° end adapter is designed to be corona free for 765 kV operation. Assembly consists of 45° elbow, end connector, two terminals, corona shields and hardware. Connector angle may be rotated to permit 45° take-off for horizontal or vertical planes.

Material

Aluminum Alloy

Hardware

Yellow anodized aluminum bolts, nuts, washers, lockwashers.



Ordering Information

CATALOG NUMBER	CONDUCTOR SIZE		NOMINAL WEIGHT LBS
	TUBULAR BUS SPS & EHPS	STRAIN BUS	
B7096-A	6"	2.4	46.2

DOSSERT® TYPE B7566, B7565 Series

Tee Adapter, Welded, NPS to Two Conductors
Recommended for Voltages up to 765 kV

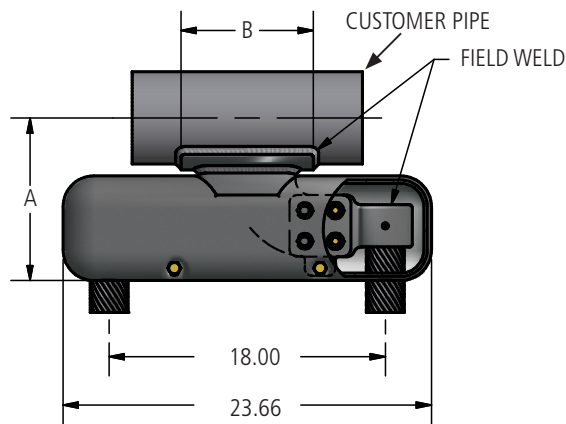
Welded tee adapter is designed to be corona free for 765 kV operation. Assembly consists of welded tee connector, two terminals and corona shield.

Material

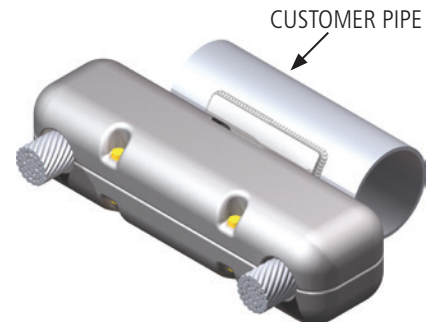
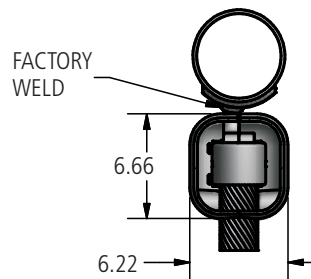
Aluminum Alloy

Yellow anodized aluminum bolts, nuts, washers, lockwashers.

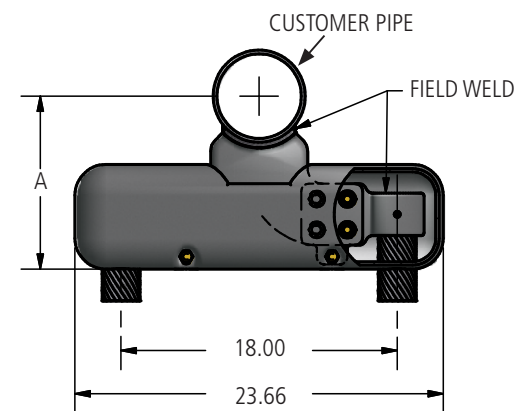
Hardware



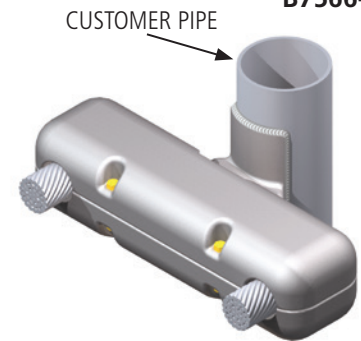
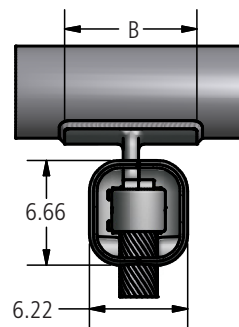
B7566-A



B7566-A



B7565-A



B7565-A

765 kV
Tee Connectors

Ordering Information

CATALOG NUMBER	CONDUCTOR SIZE		DIMENSIONS IN INCHES		NOMINAL WEIGHT LBS
	TUBULAR BUS SPS & EHPS	STRAIN BUS	A	B	
B7566-A	5"	2.4	11.31	8.62	27.0
	6"				
B7565-A	5"	2.4	11.97	8.62	27.8
	6"				

DOSSERT® TYPE B7876, B7882 Series

**Tee Adapter, Welded, NPS to Three or Four Conductor Bundle
Recommended for Voltages up to 765 kV**

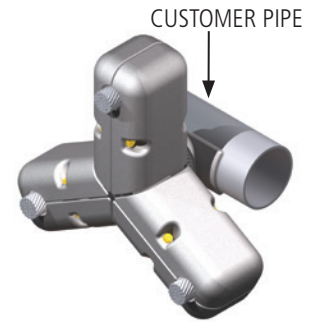
Welded tee adapter is designed to be corona free for 765 kV operation. Assembly consists of welded tee connector, three or four terminals and corona shields.

Material

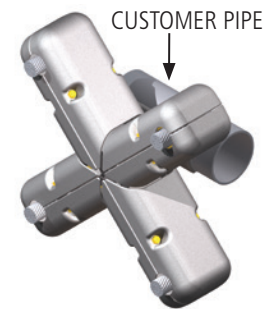
Aluminum Alloy

Hardware

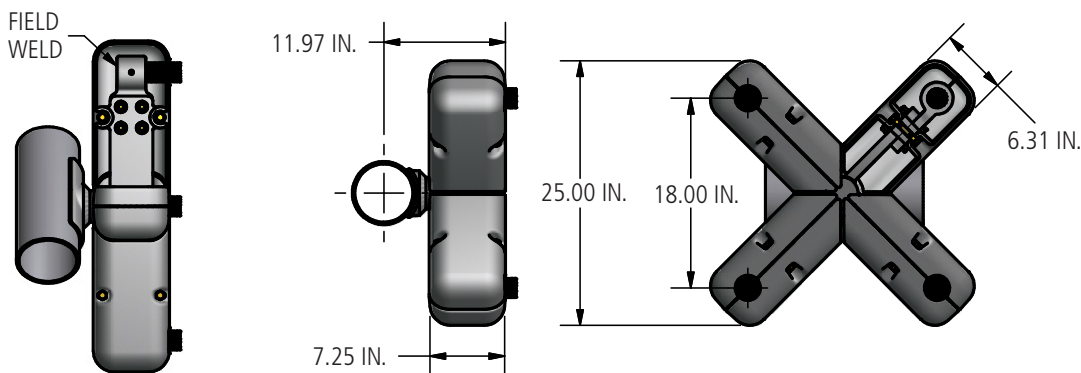
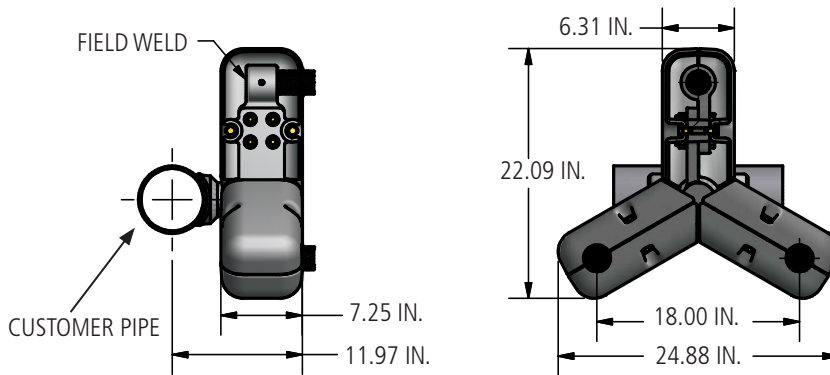
Yellow anodized aluminum bolts, nuts, washers, lockwashers.



B7876-A



B7882-A



Ordering Information

CATALOG NUMBER	CONDUCTOR SIZE		NOMINAL WEIGHT LBS	NUMBER OF STRAIN BUS
	TUBULAR BUS SPS & EHPS	STRAIN BUS		
B7876-A	5"	1.981 - 2.042	47.9	3
	6"			
B7882-A	5"	1.737 - 1.792	68.3	4
	6"			
B7882-B	5"	1.361 - 1.423	68.3	4
	6"			
B7882-C	5"	1.258 - 1.340	68.3	4
	6"			

765 kV
Tee Connectors



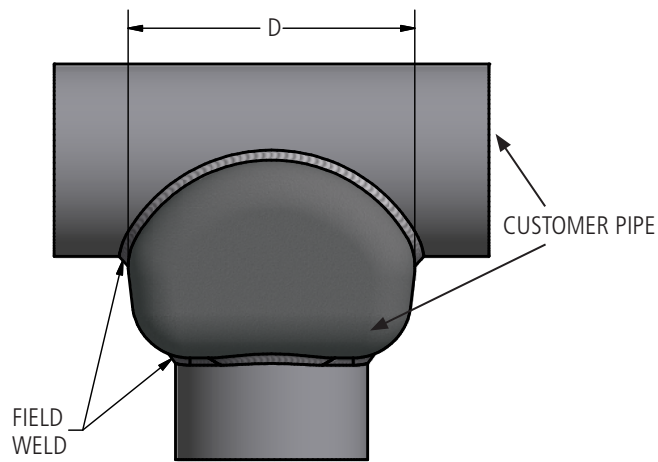
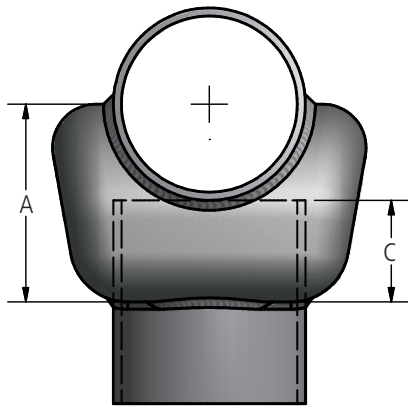
765 kV Tee Connectors

DOSSERT® TYPE WT-EHV-AA

Tee Connector
Recommended for Voltages up to 765 kV

Welded tee connector is designed to be corona free for 765 kV service.

Material
Aluminum Alloy



Ordering Information

CATALOG NUMBER	SPS	DIMENSIONS IN INCHES		
		A	C	D
WT600-600-EHV-AA	6	6 13/16	3 1/2	9 7/8

DOSSERT® TYPE WRP2CA-20-EHV-AA, WRP2CA-45-EHV-AA

Recommended for Voltages up to 765 kV

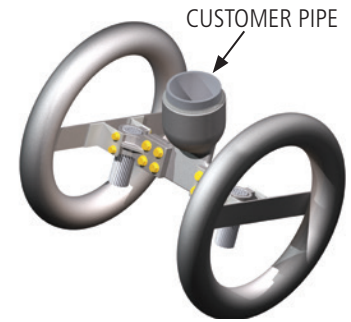
Tee connector is designed to be corona free for 765 kV service.

Material

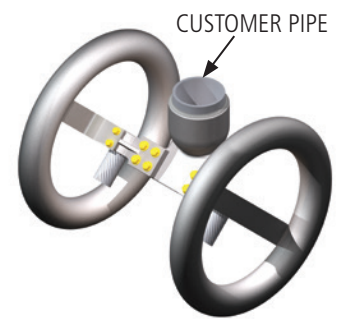
Aluminum Alloy

Hardware

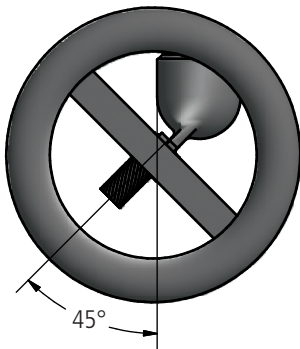
Yellow anodized aluminum bolts, nuts, washers, lockwashers.



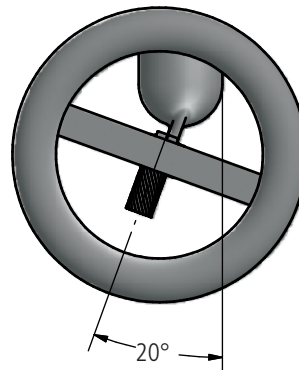
WRP2CA-20-EHV-AA



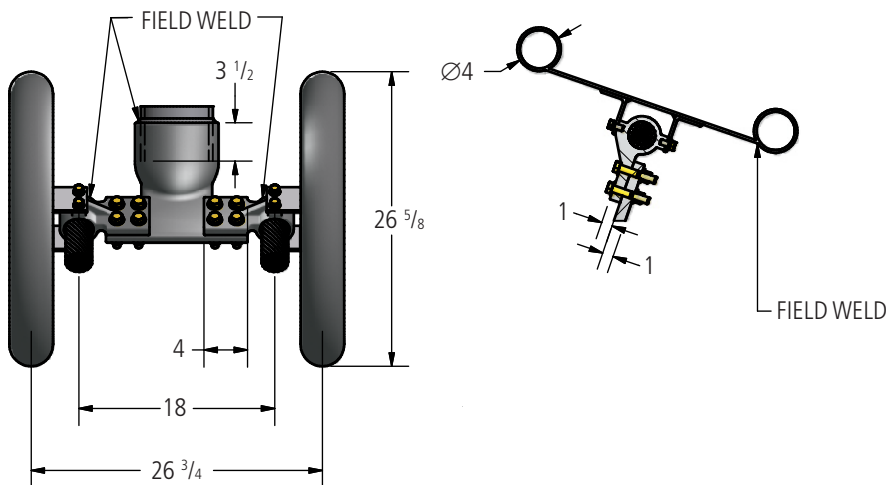
WRP2CA-45-EHV-AA



WRP2CA-45-EHV-AA



WRP2CA-20-EHV-AA



Ordering Information

CATALOG NUMBER	SPS	CONDUCTOR DIAMETER
WRP2CA-600-240R-18-45-EHV-AA	6	2.4
WRP2CA-600-240R-18-20-EHV-AA	6	

765 kV
Tee Connectors

DOSSERT® TYPE WPC-4S4-AA-WH, WPCA-4S4-90-AA-WH

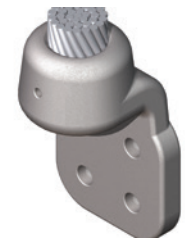
Welded Terminal

Recommended for Voltages up to 765 kV

Terminal pad is designed to be corona free for 765 kV operation.

Material

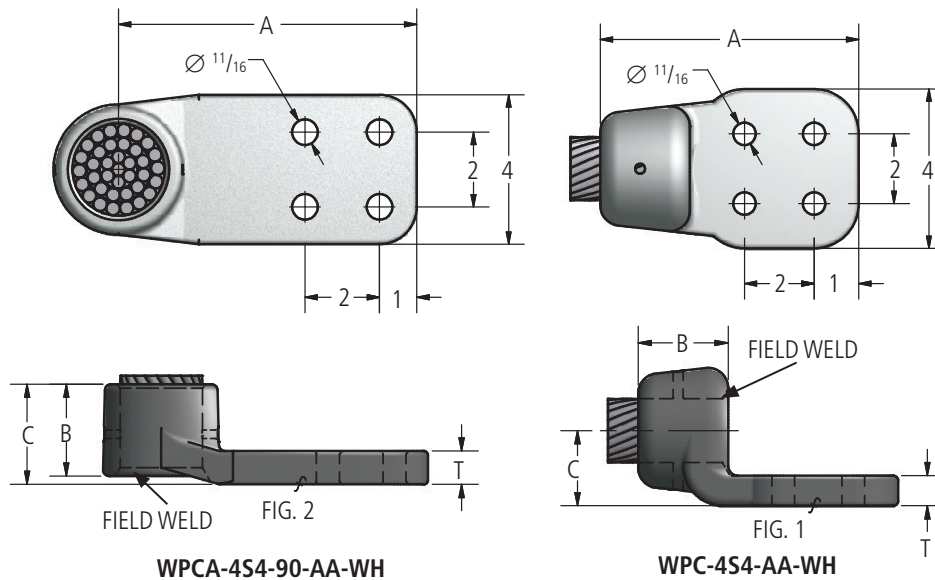
Aluminum Alloy



WPC-4S4-AA-WH



WPCA-4S4-90-AA-WH



WPCA-4S4-90-AA-WH

WPC-4S4-AA-WH

Ordering Information

CATALOG NUMBER	ACSR RANGE	FIGURE NUMBER	DIMENSIONS IN INCHES			
			A	B	C	T
WPC95A-4S4-AA-WH	715.5(26/7) - 954(45/7) MCM	1	6 1/4	1 3/4	1 1/2	1
WPCA95A-4S4-90-AA-WH	715.5(26/7) - 954(45/7) MCM	2	6	1 3/4	2	5/8
WPC135A-4S4-AA-WH	1192.5(54/19) - 1351.5(45/7) MCM	1	6 1/2	2	1 5/8	5/8
WPCA135A-4S4-90-AA-WH	1192.5(54/19) - 1351.5(45/7) MCM	2	5 5/8	2	2 1/4	5/8
WPC240R-4S4-AA-WH	2515(76/19) MCM	1	7 1/4	2 3/4	2 1/2	1
WPCA240R-4S4-90-AA-WH	2515(76/19) MCM	2	8	2 3/4	3	1

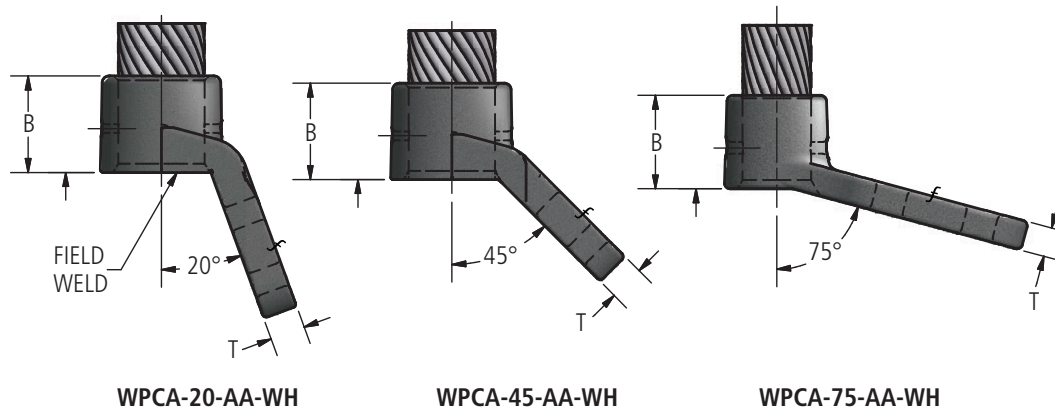
DOSSERT®

TYPE WPCA-20-AA-WH, WPCA-45-AA-WH, WPCA-75-AA-WH

Terminal pad is designed to be corona free for 765 kV operation.

Material

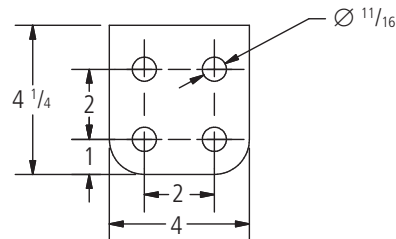
Aluminum Alloy



WPCA-20-AA-WH

WPCA-45-AA-WH

WPCA-75-AA-WH



WPCA-20-AA-WH



WPCA-45-AA-WH



WPCA-75-AA-WH

Ordering Information

CATALOG NUMBER	ACSR RANGE	DIMENSIONS IN INCHES	
		B	T
WPCA95A-4S4-75-AA-WH	715.5(26/7) - 954(45/7) MCM	1 3/4	5/8
WPCA135A-4S4-75-AA-WH	1192.5(54/19) - 1351.5(45/7) MCM	2	5/8
WPCA240R-4S4-20-AA-WH	2034(72/7) - 2312(76/19) MCM	2 3/4	1
WPCA240R-4S4-45-AA-WH	2034(72/7) - 2312(76/19) MCM	2 3/4	1

DOSSERT®

TYPE WPCA-15L-AA-WH, WPCA-15R-AA-WH, WPCA-15L-20-AA-WH, WPCA-15R-20-AA-WH

Welded Terminal

Angled welded terminal is designed for 2.4 diameter Aluminum conductor.

Material

Aluminum Alloy



WPCA-15L-AA-WH



WPCA-15R-AA-WH



WPCA-15L-20-AA-WH



WPCA-15R-20-AA-WH

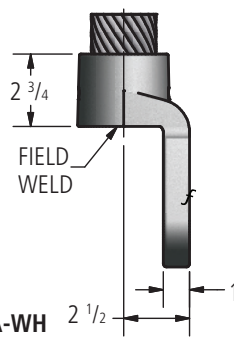
765 kV
Terminal Connector



WPCA240-4S4-15L-AA-WH



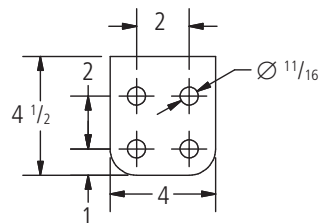
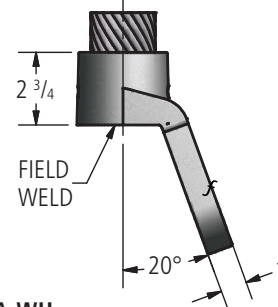
WPCA240R-4S4-15R-AA-WH



WPCA240-4S4-15L-AA-WH



WPCA240R-4S4-15R-AA-WH



PAD DIMENSIONS

Ordering Information

CATALOG NUMBER	REFERENCE DRAWINGS
WPCA-15L-AA-WH	D-4475
WPCA-15R-AA-WH	D-4476
WPCA-15L-S1-AA-WH	D-4491
WPCA-15R-S1-AA-WH	D-4492

DOSSERT® TYPE B7094, B7567 Series

End Terminal, Welded, NPS to Flat Pad
Recommended for Voltages up to 765 kV

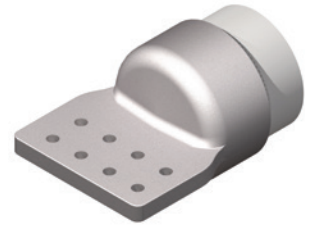
Terminal is designed to be corona free for 765 kV operation when bolted to B7001 terminal connectors. Assembly consists of terminal and aluminum terminal hardware.

Material

Aluminum Alloy

Hardware

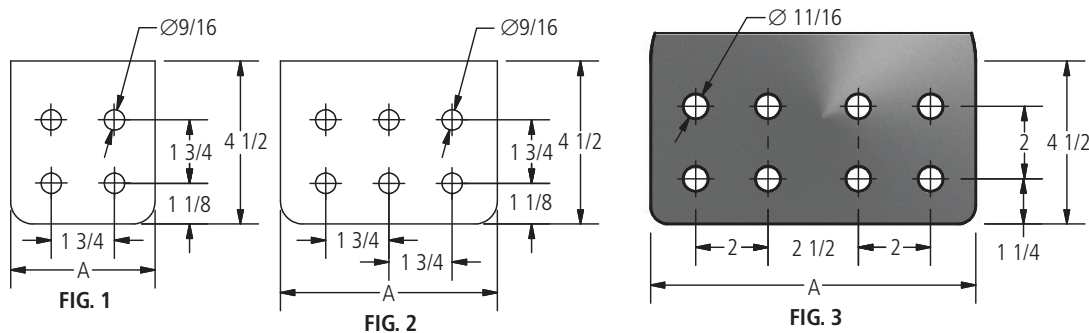
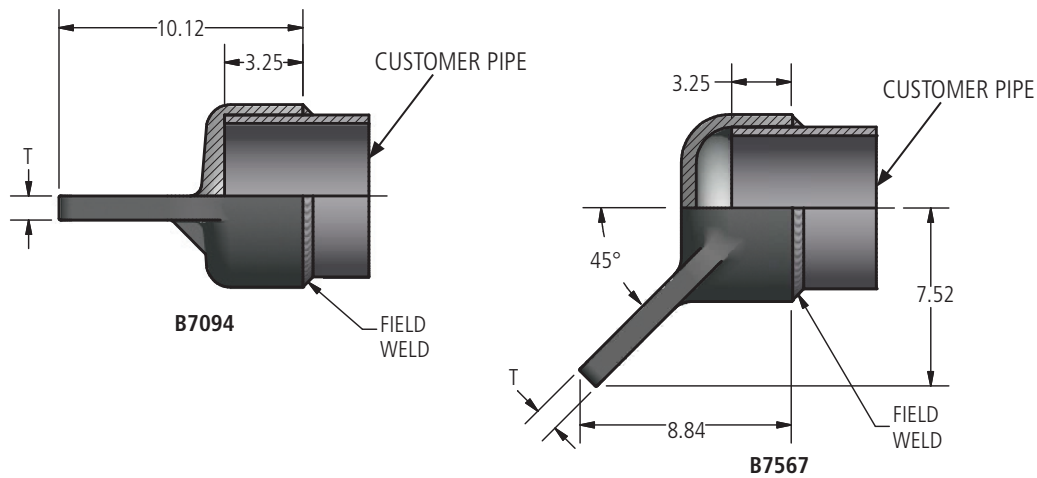
Yellow anodized aluminum bolts, nuts, washers, lockwashers.



B7094-A



B7567-A



Ordering Information

CATALOG NUMBER	FIG. NO.	SPS / EHPS	DIMENSIONS IN INCHES	
			A	T
B7094-A	3	6	9	1
B7094-B	3	6	9	1 1/4
B7094-C	2	6	5	1
B7094-D	1	6	4	1
B7094-E	2	6	6	1 1/4
B7567-A	3	6	9	1

765 kV
Terminal Connector

DOSSERT[®] TYPE B7001 Series

Recommended for Voltages up to 765 kV

Terminal connector is designed to be corona free for 765 kV operation when bolted to equipment terminal. Assembly consists of connector, two terminals, corona shield and hardware.



Material

Aluminum Alloy

Hardware

Yellow anodized aluminum bolts, nuts, washers, lockwashers.

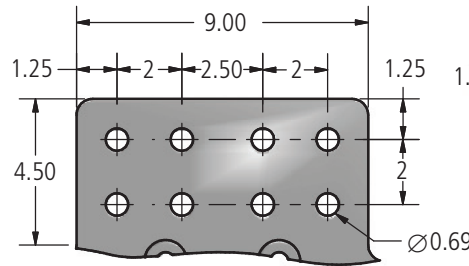
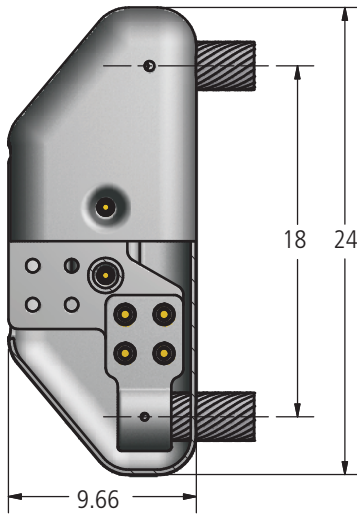


FIG. 1

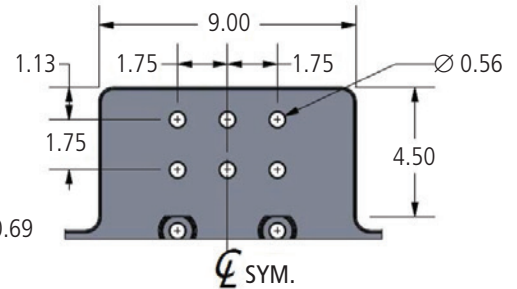
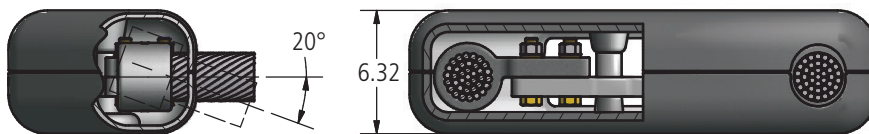


FIG. 2



Ordering Information

CATALOG NUMBER	CONDUCTOR SIZE	TERMINAL ANGLE	NOMINAL WEIGHT LBS	FIG. NO.
	STRAIN BUS DIAMETER IN INCHES			
B7001-A	2.4	STR.	28.0	1
B7001-B	2.4	20°	28.0	1
B7001-6N4-A	2.4	STR.	28.0	2

765 kV
Terminal Connector

DOSSERT® TYPE WP2CA-45-EHV-AA Series

Corona Free Terminal Connector
Recommended for Voltages up to 765 kV

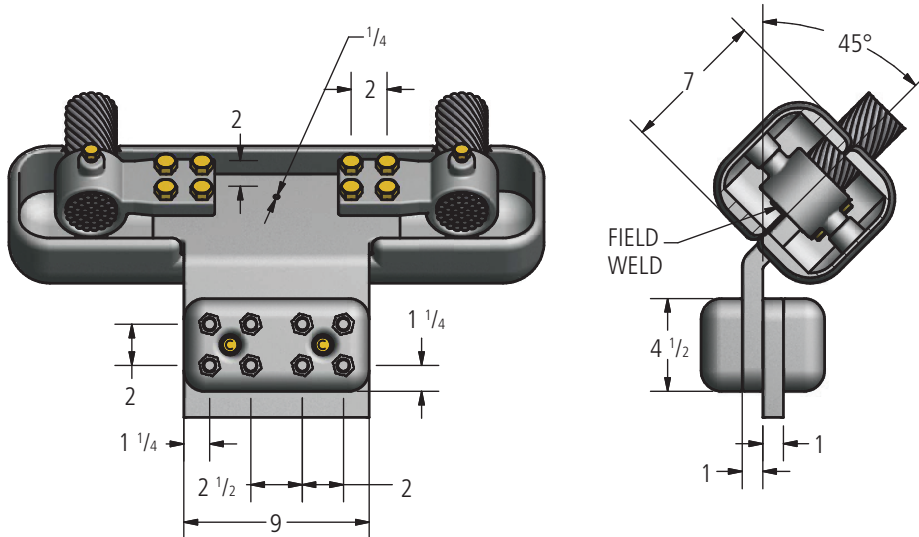
Terminal connector is designed to be corona free for 765 kV operation when bolted to equipment terminal. Assembly consists of connector, two terminals, corona shield and hardware.

Material

Aluminum Alloy

Hardware

Yellow anodized aluminum bolts, nuts, washers, lockwashers.



Ordering Information

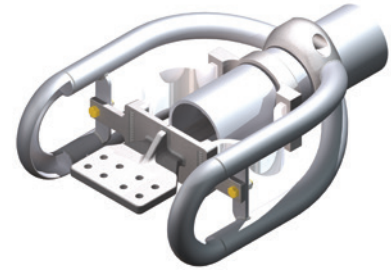
CATALOG NUMBER	CABLE SIZE
WP2CA240R-9-41/2-15-45-EHV-AA	2.40 DIA

765 kV
Terminal Connector

DOSSERT® TYPE B7583-A Series

Welded Expansion Terminal Recommended for Voltages up to 765 kV

Expansion terminal is designed to be corona free for 765 kV operation. Expansion terminal is designed for a maximum bus run of 100 feet (30.5m) operating between a minimum temperature of -20°F (-28°C) and a maximum temperature of 200°F (93.3°C). Assembly consists of expansion terminal, corona rings and hardware. Stainless steel chatter springs are supplied with corona ring assembly.

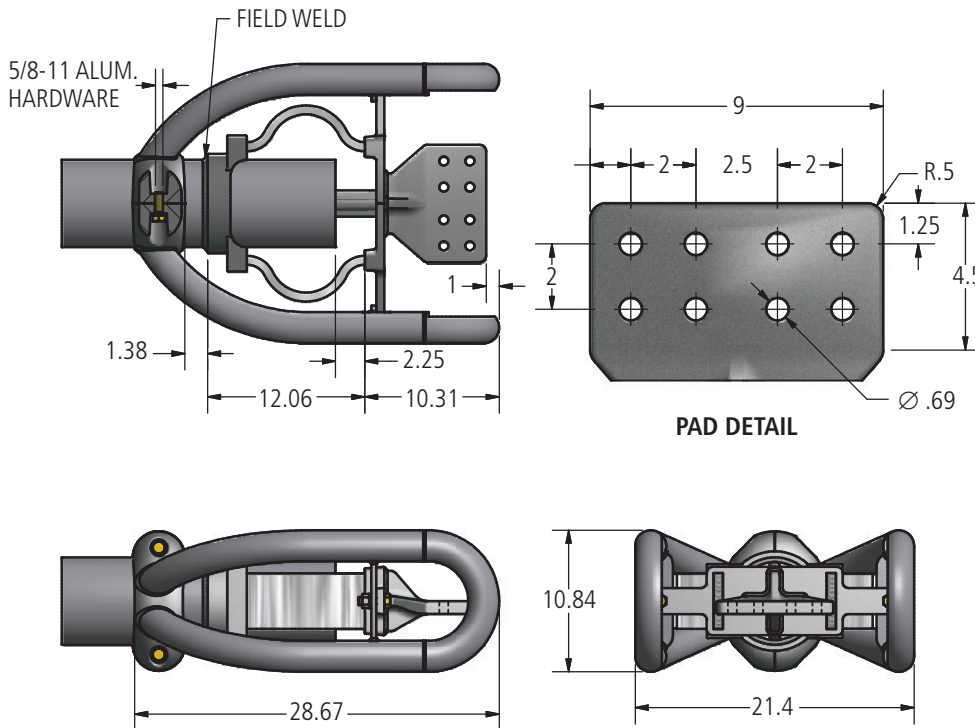


Material

Aluminum Alloy

Hardware

Yellow anodized aluminum bolts, nuts, washers, lockwashers.



765 kV
Terminal Connector

Ordering Information

CATALOG NUMBER	CONDUCTOR SIZE	NOMINAL WEIGHT LBS
	STRAIN BUS DIAMETER IN INCHES	
B7583-A	6"	49.0

DOSSERT® TYPE B7878-A Series

**Terminal Connector - Three Bundle
Recommended for Voltages up to 765 kV**

Terminal connector is designed to be corona free for 765 kV operation when bolted to equipment terminal. Assembly consists of connector, three terminals, corona shield and hardware.

Material

Aluminum Alloy

Hardware

Yellow anodized aluminum bolts, nuts, washers, lockwashers.

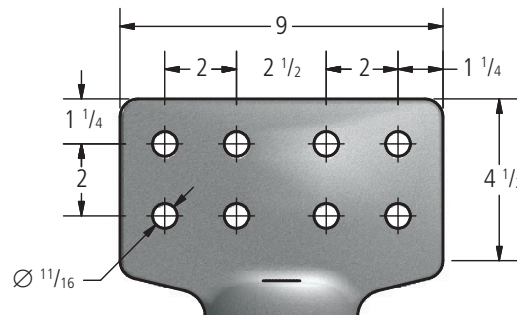
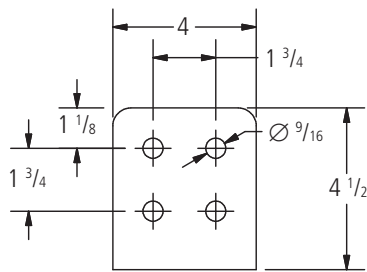
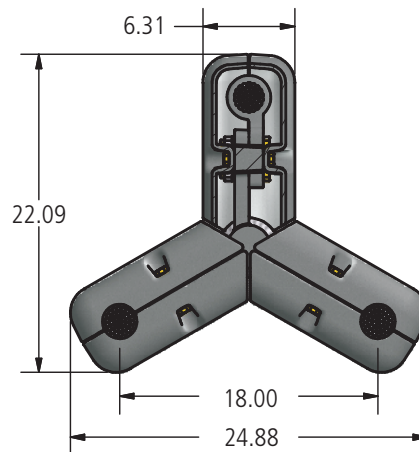
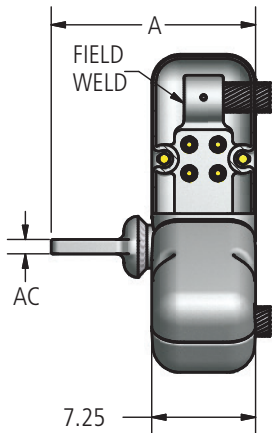


FIG. 1

FIG. 2

Ordering Information

CATALOG NUMBER	FIGURE NO.	CONDUCTOR SIZE	DIMENSIONS IN INCHES		NOMINAL WEIGHT LBS
		STRAIN BUS DIAMETER IN INCHES	A	AC	
B7878-A	2	1.981 - 2.042	14.19	1.00	51.9
B7878-B	1	1.981 - 2.042	14.19	1.00	49.6

765 kV
Terminal Connector

DOSSERT[®]
TYPE 34640-EHV Series

Ground Stud, Welded

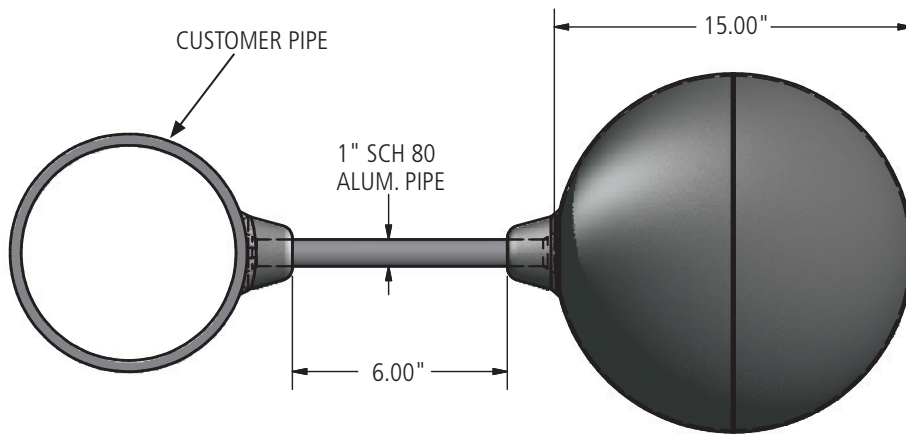
Ground stud is designed to be corona free for 765 kV operation.

Material

Aluminum Alloy



34640-EHV



Ordering Information

CATALOG NUMBER	CONDUCTOR SIZE TUBULAR SIZE SPS & EHPS	NOMINAL WEIGHT LBS
34640EHV	4" to 6"	16.0

DOSSERT® TYPE C6999-A, B7073 Series

Spacer Clamps

Recommended for Voltages up to 765 kV

Two- and four-conductor spacers are designed to be corona free for 765 KV operation. Spacers are not recommended for use on transmission lines.

Material

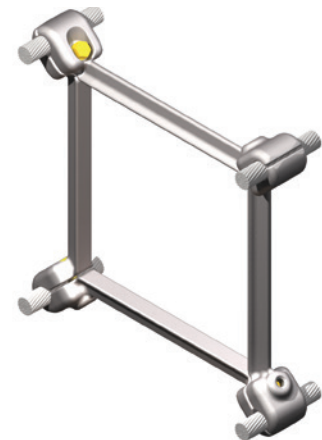
Aluminum Alloy

Hardware

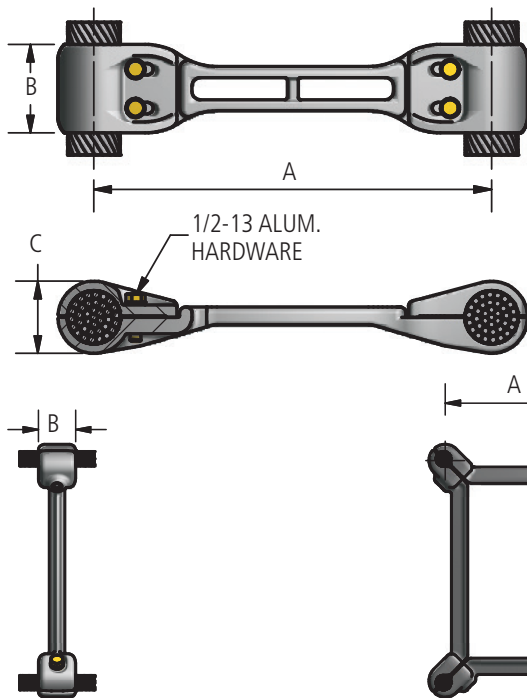
Yellow anodized aluminum bolts, nuts, washers, lockwashers.



C6999-A



B7073



Ordering Information

CATALOG NUMBER	STRAIN BUS	DIMENSIONS IN INCHES			NOMINAL WEIGHT LBS
		A	B	C	
C6999-A	2.4	18.00	4.00	3.25	6.4
C6999-B	2.311	17.72	4.00	3.25	6.4

CATALOG NUMBER	CONDUCTOR SIZE			DIMENSIONS IN INCHES		NOMINAL WEIGHT LBS
	KCMIL	STRAND		A	B	
		AL.	ST.			
B7073-A	954.0	45	7	18.00	1.165	13.2
B7073-B	1351.5	45	7	18.00	1.385	12.4
B7073-C	795 MCM	36	6	18.00	1.026	13.2
B7073-D	556.5 MCM	26	7	18.00	0.927	13.6
B7073-E	1300 MCM	45	7	17.72	1.312	12.8
B7073-F	795 MCM	30	19	18.00	1.140	12.8
B7073-G	1431 MCM	45	7	10.00	1.379	9.6
B7073-H	1450 MCM	45	7	18.00	1.526	9.4

DOSSERT® TYPE 1705, B7384 Series

**Internal and External Bus Damper for Tubular Bus
Recommended for Voltages up to 765 kV**

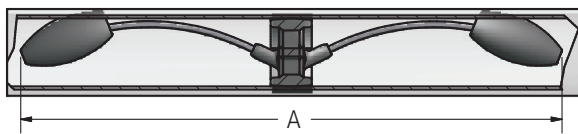
Internal bus damper is designed to be corona free for 765 kV operation. Damper is designed to be installed inside bus to be corona free and to present a "clean" appearance to the substation.

Material

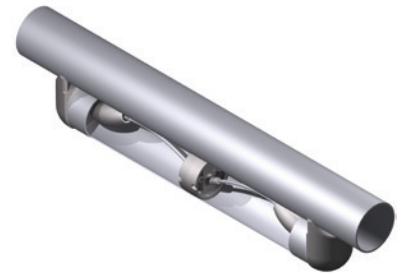
Aluminum Alloy and Galvanized Steel Damper Weights



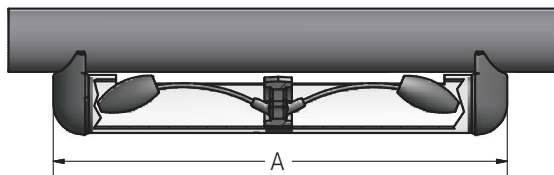
1705



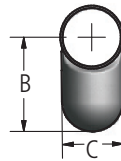
1705-XXX



B7384-A



B7384



Ordering Information

INTERNAL DAMPER					
CATALOG NUMBER	CONDUCTOR SIZE TUBULAR BUS SPS & EHPS	DIMENSIONS IN INCHES		NOMINAL WEIGHT LBS	
		A	ALUM	TOTAL	
1705-504	5 SPS	36.88	2.7	13.3	
1705-576	6 EHPS	35.25	3.3	14.0	
1705-607	6 SPS	35.25	4.0	14.7	
1705-700	8" O.D. (1/2" Wall)	36.88	3.2	13.8	
1705-725	8" O.D. (3/8" Wall)	36.88	3.2	13.8	
1705-762	8 EHPS	36.88	3.3	13.9	
1705-798	8 SPS	36.88	3.4	14.0	

EXTERNAL DAMPER						
CATALOG NUMBER	CONDUCTOR SIZE TUBULAR BUS SPS & EHPS	DIMENSIONS IN INCHES			NOMINAL WEIGHT LBS	
		A	B	C	ALUM	TOTAL
B7384-A	5"	40.00	8.50	5.56	23.9	34.5
B7384-B	6"	40.00	10.12	6.62	28.9	39.5
B7384-C	8"	40.00	12.19	8.00	37.4	37.4

DOSSERT® TYPE B7004-A Series

**Stud Connector, Straight, Stud to Two Conductor Bundle
Recommended for Voltages up to 765 kV**

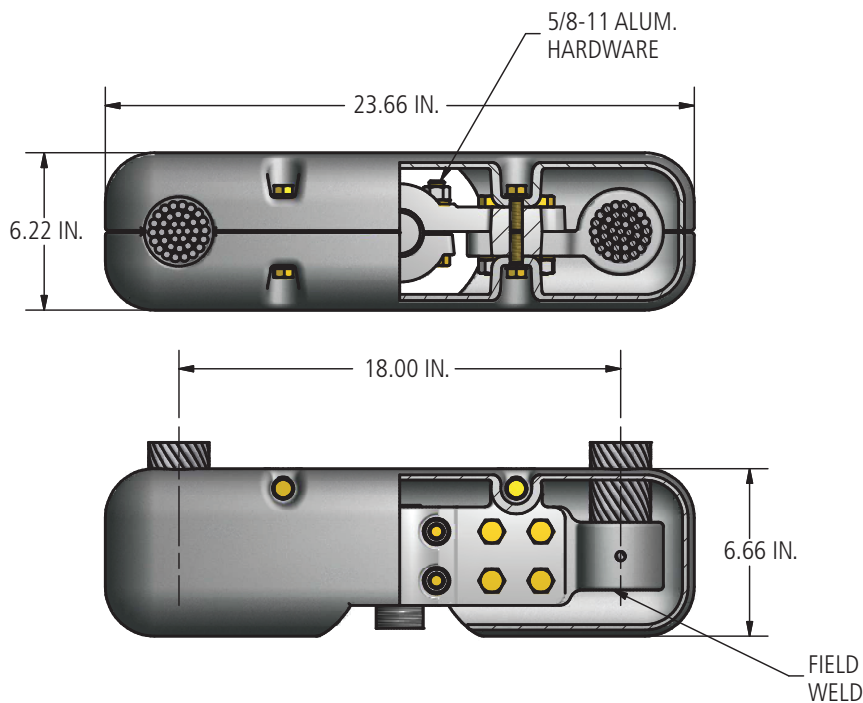
Stud connectors are designed to be corona free for 765 kV operation. Assembly consists of stud connector, two terminals, corona shields and hardware. Stud sizes other than those shown can be supplied if required.

Material

Aluminum Alloy

Hardware

Yellow anodized aluminum bolts, nuts, washers, lockwashers.



Ordering Information

CATALOG NUMBER	STUD SIZE		CONDUCTOR SIZE	NOMINAL WEIGHT LBS
	DIAMETER	THREADS PER INCH	STRAIN BUS DIAMETER	
B7004-A	2	12	2.4	28.4
B7004-B	3	12	1.423	28.4
B7004-C	3	12	2.4	27.9
B7004-D	3.15	0	1.855	27.6

DOSSERT® TYPE B7074-A Series

**Stud Connector – 45°, 90°, Stud to Two Conductors
Recommended for Voltages up to 765 kV**

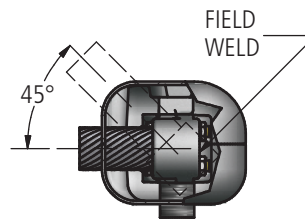
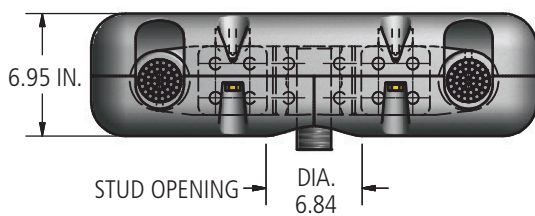
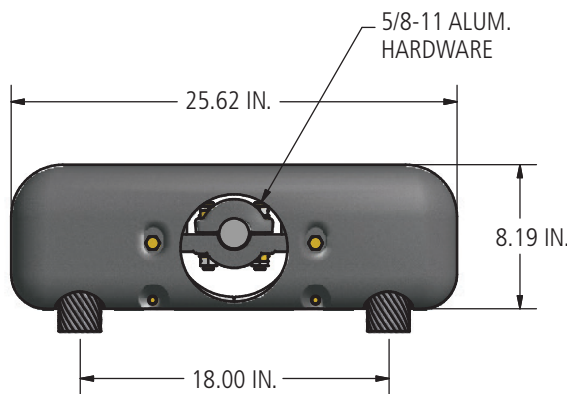
Angle stud connectors are designed to be corona free for 765 kV operation. Assembly consists of stud connector, two terminals, corona shields and hardware. Stud sizes other than those shown can be supplied if required.

Material

Aluminum Alloy

Hardware

Yellow anodized aluminum bolts, nuts, washers, lockwashers.



Ordering Information

CATALOG NUMBER	STUD SIZE		CONDUCTOR SIZE		TERMINAL ANGLE	NOMINAL WEIGHT LBS
	DIAMETER	THREADS PER INCH	STRAIN BUS DIAMETER IN INCHES			
			MIN	MAX		
B7074-A	2	12	2.4		90°	33.0
B7074-B	2	12	2.4		45°	33.0
B7074-C	3	12	1.361	1.423	90°	33.4

DOSSERT® TYPE B7108 Series

Stud Connector – 90°, Stud to Two Conductors
Recommended for Voltages up to 765 kV

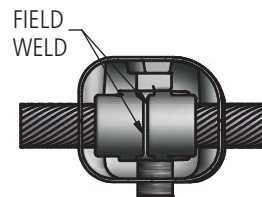
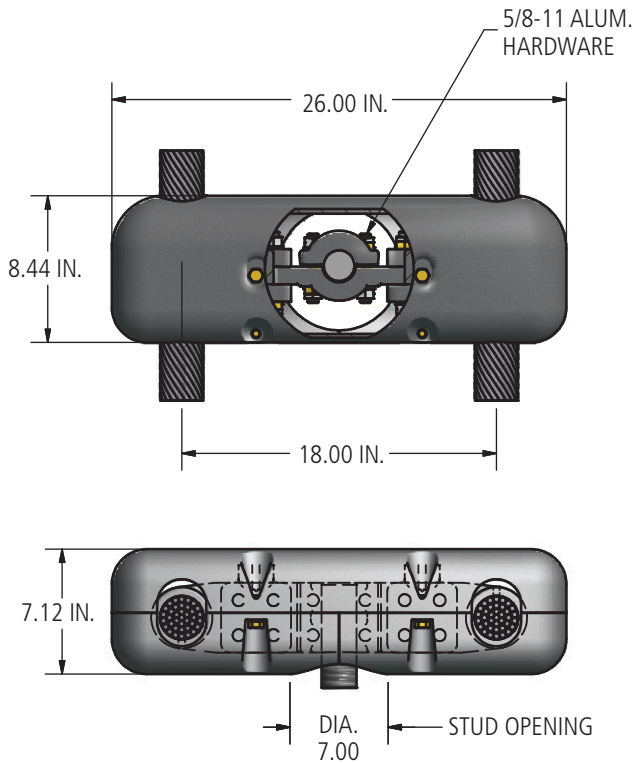
Thru stud connectors are designed to be corona free for 765 kV operation. Assembly consists of a stud connector, four terminals, corona shields and hardware. Stud sizes other than those shown can be supplied if required.

Material

Aluminum Alloy

Hardware

Yellow anodized aluminum bolts, nuts, washers, lockwashers.



Ordering Information

CATALOG NUMBER	STUD SIZE		CONDUCTOR SIZE STRAIN BUS DIAMETER IN INCHES	NOMINAL WEIGHT LBS
	DIAMETER	THREADS PER INCH		
B7108-A	2	12	2.4	40.2
B7108-C	2	12	2.344	37.28

DOSSERT® TYPE B7879-A, B7880 Series

**Stud Connector, Straight, Stud to Three Conductor Bundle
Recommended for Voltages up to 765 kV**

Stud connectors are designed to be corona free for 765 kV operation. Assembly consists of stud connector, three terminals, corona shields and hardware. Stud sizes other than those shown can be supplied if required.

Material

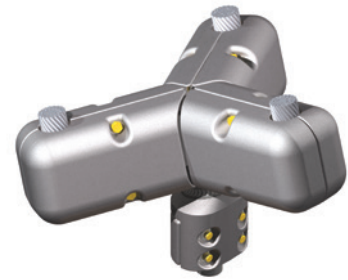
Aluminum Alloy

Hardware

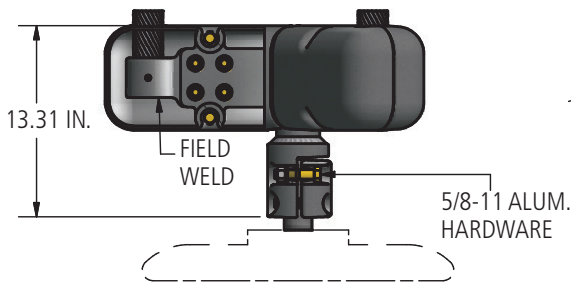
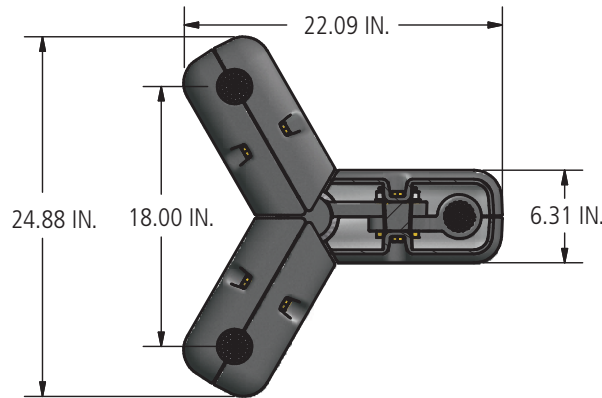
Yellow anodized aluminum bolts, nuts, washers, lockwashers.



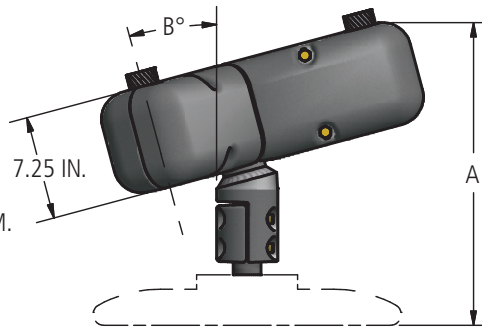
B7879-A



B7880-A



**STRAIGHT CONNECTOR
B7879**



**ANGLED CONNECTOR
B7880**

Ordering Information

CATALOG NUMBER	STUD SIZE		CONDUCTOR SIZE STRAIN BUS DIAMETER IN INCHES	DIMENSIONS IN INCHES (FOR ANGLED STUD CONNECTOR ONLY)		NOMINAL WEIGHT LBS
	DIAMETER	THREADS PER INCH		A	B	
B7879-A	2	12	1.981 - 2.042	-	-	55.4
B7880-A	2	12	1.981 - 2.042	15.43	15°	56.2
B7880-B	2	12	1.981 - 2.042	17.8	45°	57.7



765 kV Stud Connector

765 kV
Stud Connector