



Table of Contents

Bronze Compression

Bronze Compression Table of Contents	217
Bronze Compression Pictorial Index	218

Bronze Compression Connectors

Type BC2KT	219
Type BCKT	220
Type CST	222
Type CSTF	224
Type CSX	225
Type DPC-T	226
Type DPC-SH1, DPC-SH2, DPC-SH-90	227
Type DPCP, DPCP-T	229
Type DPL, DPLA-45, DPLA-90	230
Type DPLE-N	233
Type DPLS	235
Type DPR	238
Type LCA	240
Type LCAE-N	241
Bronze Installation Tool Reference	242

Bronze Compression Connectors	
	BC2KT SERIES PG. 219
	BCKT SERIES PG. 220
	CST SERIES PG. 222
	CSTF SERIES PG. 224
	CSX SERIES PG. 225
	DPC-T SERIES PG. 226
	DPC-SH-1 SERIES PG. 227
	DPC-SH-90 SERIES PG. 227

	DPCP SERIES PG. 229
	DPCP-T SERIES PG. 229
	DPL SERIES PG. 230
	DPLE-N SERIES PG. 233
	DPLS SERIES PG. 235
	DPR SERIES PG. 238
	LCA SERIES PG. 240
	LCAE-N SERIES PG. 241

DOSSERT®

TYPE BC2KT

Copper Tee Connector With Mechanical Clamp Round and Compression Tap

Material

Tin plated copper alloy

Hardware

Tin plated Evedur bolts and lock washers.

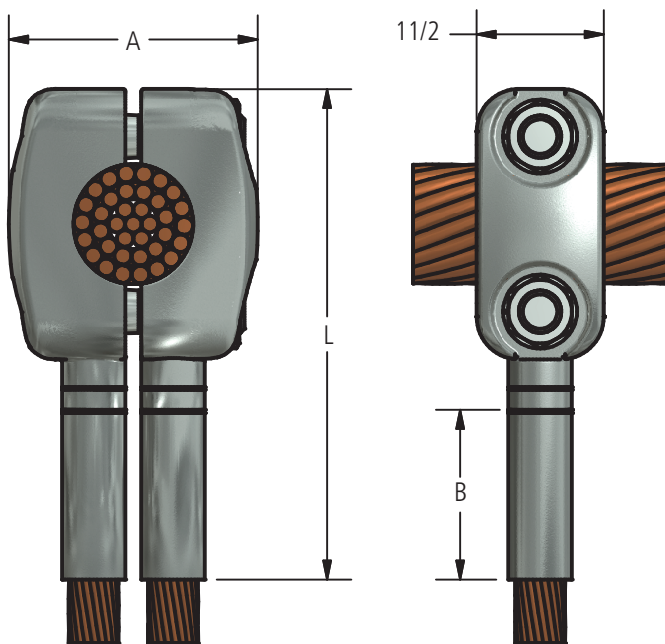
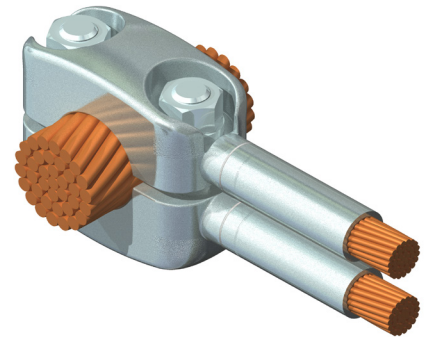


FIG. 1

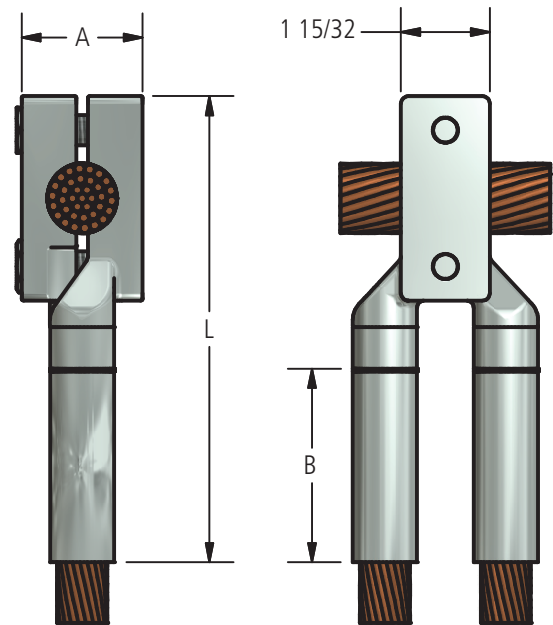


FIG. 2

Ordering Information

CATALOG NUMBER	FIG. NO.	CABLE SIZE		DIMENSION IN INCHES		
		RUN	TAP	A	B	L
BC2KT50-25	1	500 MCM	250 MCM	2 7/32	2	4 29/32
BC2KT100-25	1	1000 MCM	250 MCM	2 5/8	2	5 9/16
BC2KT100-50-S	2	1000 MCM	500 MCM	2	3 3/8	7 11/16
BC2KT150-25	1	1500 MCM	250 MCM	2 13/16	2	5 13/16
BC2KT150-50-S	2	1500 MCM	500 MCM	2	3 3/8	7 11/16

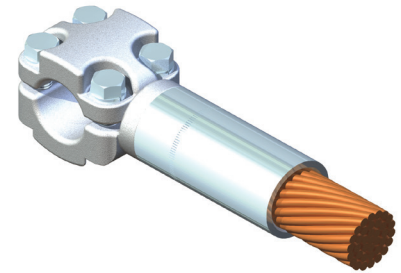
For information on installation tools refer to pages 246 and 247.

DOSSERT®

TYPE BCKT

Copper Tee Connector With Mechanical Clamp Rund and Compression Tap

A tee connector composed of a clamp type run element and a compression type connector for the tap. This connector has a wide application where various taps are to be taken from a continuous run.



Material

Tin plated copper alloy

Hardware

Tin plated Everdur bolts and lock washers.

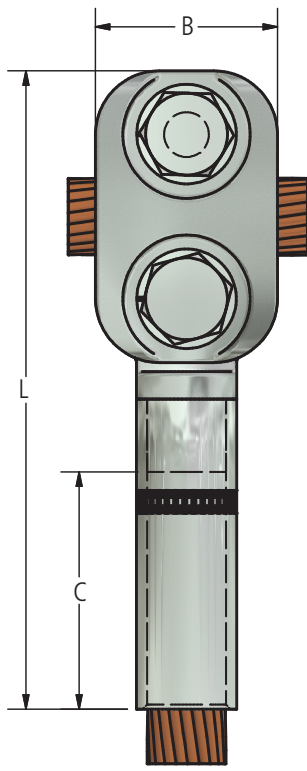


FIG. 1

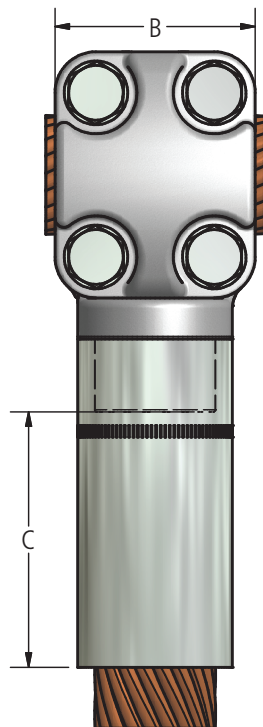
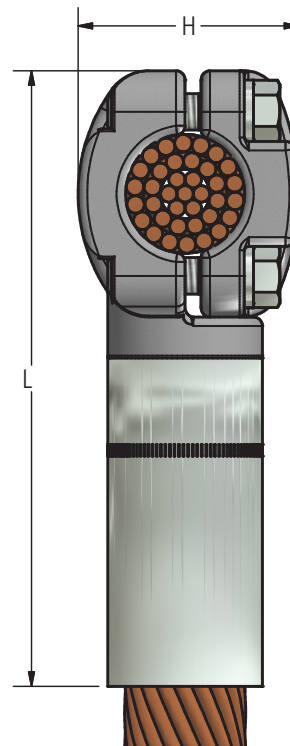


FIG. 2





DOSSERT®

TYPE BCKT

Copper Tee Connector With Mechanical Clamp Rund and Compression Tap

Ordering Information

CATALOG NUMBER	CONDUCTOR SIZE		FIG. NO.	DIMENSIONS IN INCHES			
	RUN	TAP		B	C	H	L
BCKT21-6	4/0 STR	2 STR	1	1 1/2	1 5/16	1 1/2	3 7/8
BCKT21-10	4/0 STR	1/0 STR	1	1 1/2	1 7/16	1 1/2	4 1/16
BCKT21-13	4/0 STR	2/0 STR	1	1 1/2	1 9/16	1 1/2	4 3/16
BCKT21-21	4/0 STR	4/0 STR	2	2 1/8	1 11/16	1 1/2	4 3/8
BCKT25-6	250 MCM	2 STR	1	1 1/2	1 5/16	1 1/2	3 7/8
BCKT29-10	250 MCM	1/0 STR	1	1 1/2	1 7/16	1 1/2	4 1/8
BCKT25-13	250 MCM	2/0 STR	1	1 1/2	1 9/16	1 1/2	4 1/4
BCKT25-21	250 MCM	4/0 STR	2	2 1/8	1 11/16	1 1/2	4 7/16
BCKT25-25	250 MCM	250 MCM	2	2 1/8	1 11/16	1 1/2	4 1/2
BCKT35-10	350 MCM	1/0 STR	1	2 1/8	1 7/16	1 9/16	4 3/16
BCKT35-13	350 MCM	2/0 STR	1	1 1/2	1 9/16	1 9/16	4 3/8
BCKT35-21	350 MCM	4/0 STR	2	2 1/8	1 11/16	1 9/16	4 9/16
BCKT35-25	350 MCM	250 MCM	2	2 1/8	1 11/16	1 9/16	4 8
BCKT35-35	350 MCM	350 MCM	2	2 1/8	2 1/8	1 9/16	5 1/16
BCKT50-13	500 MCM	2/0 STR	1	1 1/2	1 9/16	1 11/16	4 1/2
BCKT50-21	500 MCM	4/0 STR	2	2 1/8	1 11/16	1 11/16	4 11/16
BCKT50-25	500 MCM	250 MCM	2	2 1/8	1 11/16	1 11/16	4 3/4
BCKT50-35	500 MCM	350 MCM	2	2 1/8	2 1/8	1 11/16	5 1/8
BCKT50-50	500 MCM	500 MCM	2	2 1/8	2 1/4	1 11/16	5 7/16
BCKT75-13	750 MCM	2/0 STR	1	1 1/2	1 9/16	1 7/8	4 11/16
BCKT25-21	750 MCM	4/0 STR	2	2 1/8	1 11/16	1 7/8	4 7/8
BCKT75-25	750 MCM	250 MCM	2	2 1/8	1 11/16	1 7/8	4 15/16
BCKT75-35	750 MCM	350 MCM	2	2 1/8	2 1/8	1 7/8	4 5/16
BCKT75-50	750 MCM	500 MCM	2	2 1/8	2 1/4	1 7/8	5 5/8
BCKT79-75	750 MCM	750 MCM	2	2 1/8	2 7/8	1 7/8	6 5/16
BCKT100-13	1000 MCM	2/0 STR	1	1 1/2	1 9/16	2 3/16	4 13/16
BCKT100-21	1000 MCM	4/0 STR	2	2 1/8	1 11/16	2 3/16	5
BCKT100-25	1000 MCM	250 MCM	2	2 1/8	1 11/16	2 3/16	5 1/16
BCKT100-35	1000 MCM	350 MCM	2	2 1/8	2 1/8	2 3/16	5 1/2
BCKT100-50	1000 MCM	500 MCM	2	2 1/8	2 1/4	2 3/16	5 13/15
BCKT100-75	1000 MCM	750 MCM	2	2 1/8	2 7/8	2 1/4	6 7/16
BCKT100-100	1000 MCM	1000 MCM	2	2 3/4	3	2 3/8	7 1/16

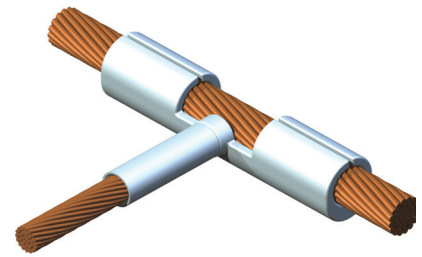
For information on installation tools refer to pages 246 and 247.

DOSSERT®

TYPE CST

Copper Compression Tee Connector For Cable To Cable

A tee connector with compression elements on both run and tap. Designed to make tap connections on a continuous run. Run member is U-shaped before installation and after compression the heavily tapered tabs conform to cable to produce a secure electrical and mechanical connection.

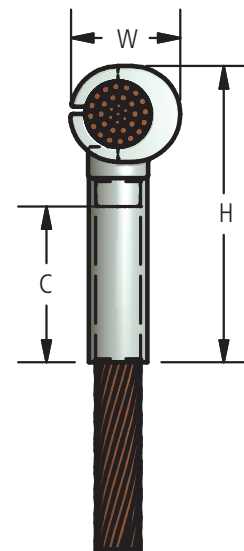
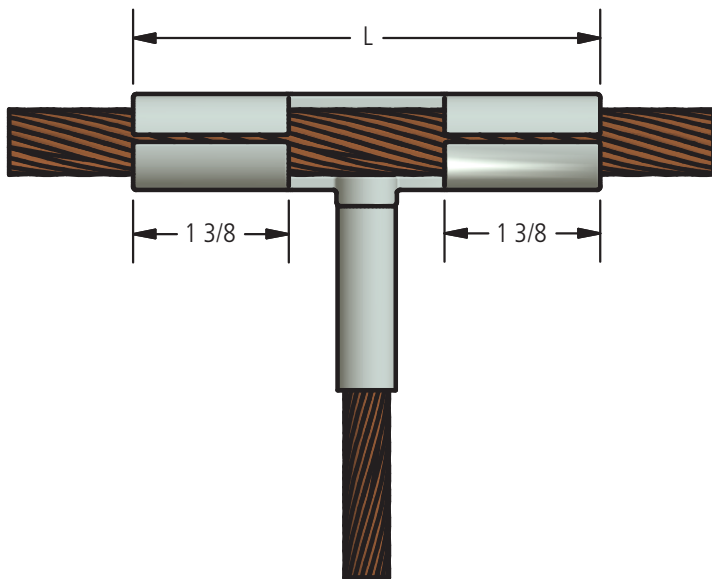


Material

Tin plated copper alloy

Note

Tool references furnished upon request.





DOSSERT®

TYPE CST

Copper Compression Tee Connector For Cable To Cable

Ordering Information

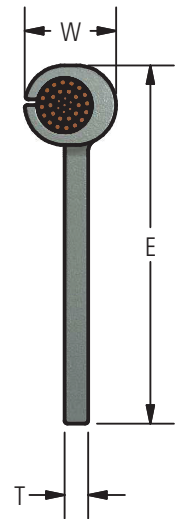
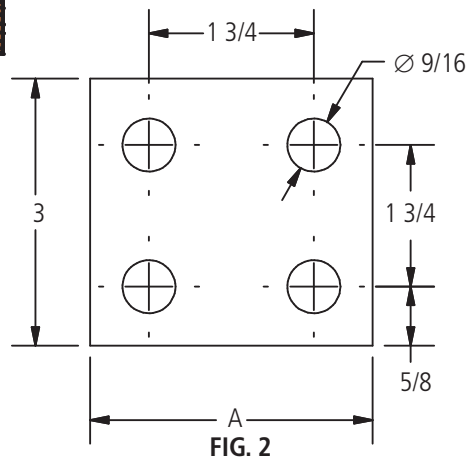
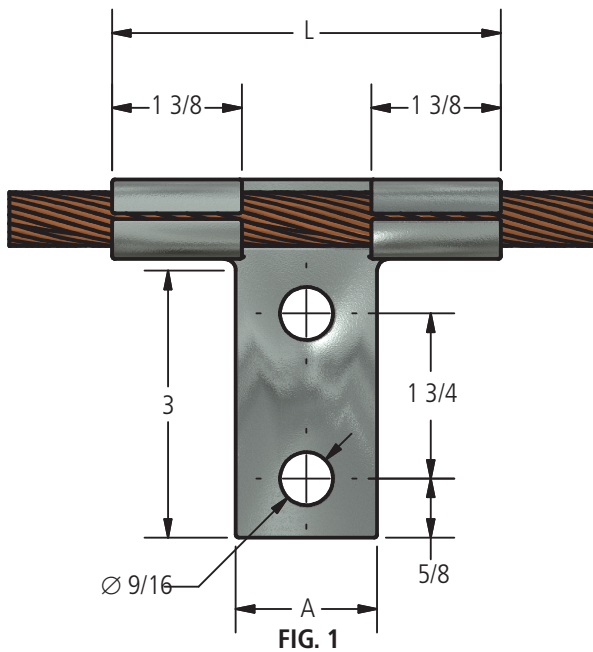
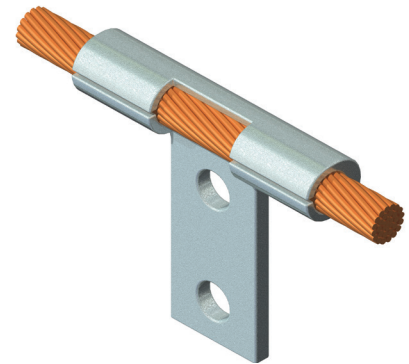
CATALOG NUMBER	CABLE RANGE		DIMENSIONS IN INCHES				NUMBER OF INDENT
	RUN	TAP	C	H	L	W	
CST13-13	2/0 Str.	2/0 Str.	1 1/2	2 1/2	3 13/16	5/8	1
CST21-2	4/0 Str.	6 Str.	1 1/4	2 5/16	3 3/4	7/8	1
CST21-4	4/0 Str.	4 Str.	1 1/4	2 5/16	3 3/4	7/8	1
CST21-6	4/0 Str.	2 Str.	1 5/16	2 7/16	3 3/4	7/8	1
CST21-8	4/0 Str.	1 Str.	1 3/8	2 9/16	4	7/8	1
CST21-10	4/0 Str.	1/0 Str.	1 3/8	2 9/16	4	7/8	1
CST21-13	4/0 Str.	2/0 Str.	1 1/2	2 11/16	4	7/8	1
CST21-17	4/0 Str.	3/0 Str.	1 1/2	2 11/16	4	7/8	1
CST21-21	4/0 Str.	4/0 Str.	1 5/8	2 3/4	4	7/8	1
CST25-2	250 kcmil	6 Str.	1 1/4	2 3/8	3 13/16	15/16	1
CST25-4	250 kcmil	4 Str.	1 1/4	2 3/8	3 13/16	15/16	1
CST25-6	250 kcmil	2 Str.	1 5/16	2 1/2	3 13/16	15/16	1
CST25-8	250 kcmil	1 Str.	1 3/8	2 5/8	3 13/16	15/16	1
CST25-10	250 kcmil	1/0 Str.	1 3/8	2 5/8	4 1/8	15/16	1
CST25-13	250 kcmil	2/0 Str.	1 1/2	2 3/4	4 1/8	15/16	1
CST25-17	250 kcmil	3/0 Str.	1 1/2	2 3/4	4 1/8	15/16	1
CST25-21	250 kcmil	4/0 Str.	1 5/8	2 7/8	4 1/8	15/16	1
CST25-25	250 kcmil	250 kcmil	1 5/8	2 7/8	4 1/8	15/16	1
CST35-2	350 kcmil	6 Str.	1 1/4	2 5/8	4 1/16	1 1/16	1
CST35-4	350 kcmil	4 Str.	1 1/4	2 5/8	4 1/16	1 1/16	1
CST35-6	350 kcmil	2 Str.	1 5/16	2 11/16	4 1/16	1 1/16	1
CST35-8	350 kcmil	1 Str.	1 3/8	2 13/16	4 1/16	1 1/16	1
CST35-10	350 kcmil	1/0 Str.	1 3/8	2 3/4	4 1/16	1 1/16	1
CST35-13	350 kcmil	2/0 Str.	1 1/2	2 7/8	4 1/16	1 1/16	1
CST35-17	350 kcmil	3/0 Str.	1 1/2	2 7/8	4 9/16	1 1/16	1
CST35-21	350 kcmil	4/0 Str.	1 5/8	3	4 9/16	1 1/16	1
CST35-25	350 kcmil	250 kcmil	1 5/8	3	4 9/16	1 1/16	1
CST35-35	350 kcmil	350 kcmil	2	3 3/8	4 9/16	1 1/16	2
CST50-4	500 kcmil	4 Str.	1 1/4	2 3/4	4 3/16	1 1/16	1
CST50-6	500 kcmil	2 Str.	1 5/16	2 7/8	4 3/16	1 1/16	1
CST50-8	500 kcmil	1 Str.	1 3/8	2 15/16	4 3/16	1 1/16	1
CST50-10	500 kcmil	1/0 Str.	1 3/8	2 15/16	4 3/16	1 1/16	1
CST50-13	500 kcmil	2/0 Str.	1 1/2	3 1/16	4 3/16	1 1/16	1
CST50-17	500 kcmil	3/0 Str.	1 1/2	3	4 11/16	1 1/16	1
CST50-21	500 kcmil	4/0 Str.	1 5/8	3 1/8	4 11/16	1 1/16	1
CST50-25	500 kcmil	250 kcmil	1 5/8	3 1/8	4 11/16	1 1/16	1
CST50-35	500 kcmil	350 kcmil	2	3 1/2	4 11/16	1 1/16	2
CST50-50	500 kcmil	500 kcmil	2 1/4	3 3/4	4 11/16	1 1/16	2

DOSSERT®

TYPE CSTF Compression Tap Connector

Material

Tin plated copper alloy



Ordering Information

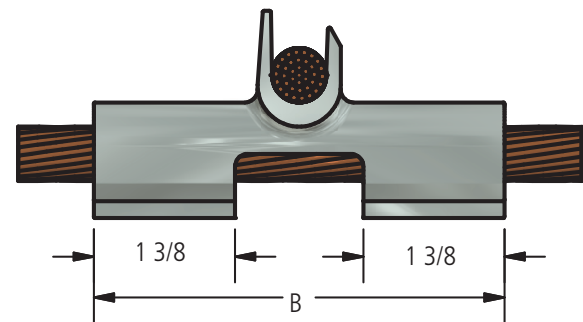
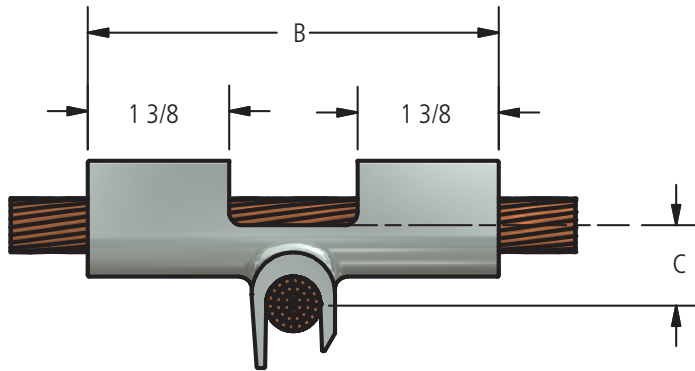
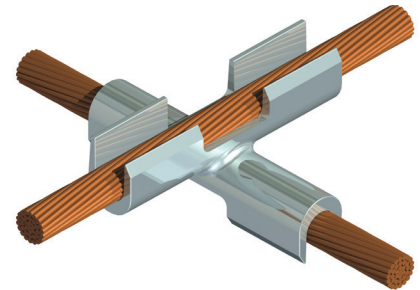
CATALOG NUMBER	CABLE SIZE	FIG. NO.	DIMENSIONS IN INCHES				
			A	E	L	T	W
CSTF13-1-2N	2/0 STR	1	1 1/2	3 7/8	4 3/4	1/4	3/4
CSTF21-1-2N	4/0 STR	1	1 1/2	4 1/16	4 3/4	1/4	7/8
CSTF21-1-4N	4/0 STR	2	3	4 1/16	6 1/4	1/4	7/8
CSTF35-1-2N	350 MCM	1	1 1/2	4 3/16	4 3/4	5/16	1 1/16
CSTF35-1-4N	350 MCM	2	3	4 3/16	6 1/4	5/16	1 1/16
CSTF50-1-4N	500 MCM	2	3	4 5/16	6 1/4	3/8	1 3/16

DOSSERT®

TYPE CSX Compression Cross Connector

Material

Tin plated copper alloy



Ordering Information

CATALOG NUMBER	CONDUCTOR SIZE		DIMENSIONS IN INCHES	
			B	C
CSX13-13	2/0 STR	2/0 STR	3 13/16	19/32
CSX21-13	4/0 STR	2/0 STR	4 1/4	3/4
CSX21-21	4/0 STR	4/0 STR	4 1/4	25/32
CSX50-50	500 MCM	500 MCM	4 5/8	1 1/8

DOSSERT®

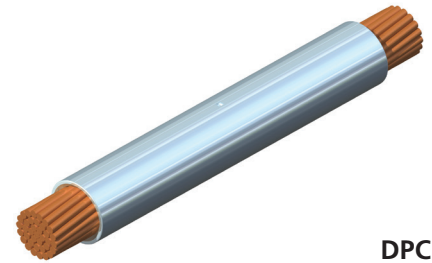
TYPE DPC-T

Copper Compression Coupler For Cable

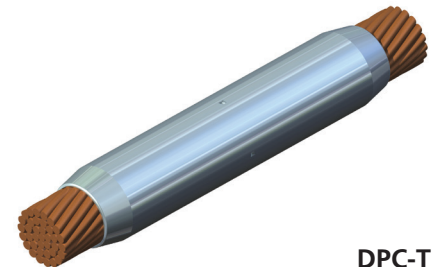
A seamless sleeve coupler for splicing two cables end to end. This coupler is designed to fit the assembling dies of all standard hydraulic presses. Installation is quickly effected by slipping the connector over the free cable ends and forming indentations.

Material

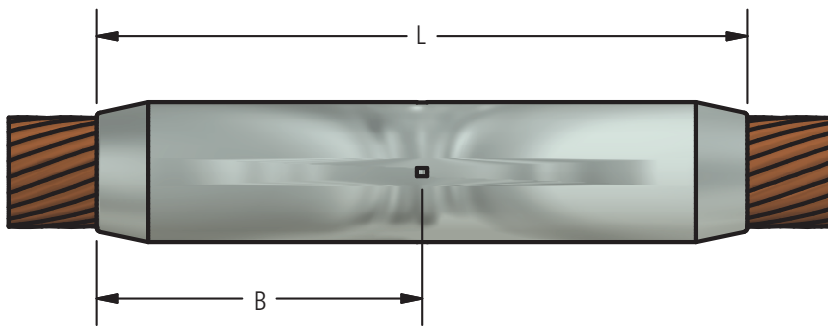
Tin plated copper alloy



DPC



DPC-T



Ordering Information

CATALOG NUMBER		CABLE SIZE	DIMENSIONS IN INCHES	
STANDARD	TAPERED		B	L
DPC2	DPC2-T	6 Str.	1 1/8	2 5/16
DPC4	DPC4-T	4 Str.	1 1/8	2 5/16
DPC5	DPC5-T	3 Str.	1 1/4	2 5/8
DPC6	DPC6-T	2 Str.	1 1/4	2 5/8
DPC8	DPC8-T	1 Str.	1 7/16	3
DPC10	DPC10-T	1/0 Str.	1 7/16	3
DPC13	DPC13-T	2/0 Str.	1 1/2	3 1/8
DPC17	DPC17-T	3/0 Str.	1 1/2	3 1/8
DPC21	DPC21-T	4/0 Str.	1 5/8	3 3/8
DPC25	DPC25-T	250 MCM	1 5/8	3 3/8
DPC30	DPC30-T	300 MCM	2 1/16	4 1/4
DPC35	DPC35-T	350 MCM	2 1/16	4 1/4
DPC40	DPC40-T	400 MCM	2 1/8	4 3/8
DPC45	DPC45-T	450 MCM	2 1/8	4 3/8
DPC50	DPC50-T	500 MCM	2 1/4	4 5/8
DPC55	DPC55-T	550 MCM	2 5/8	5 3/8
DPC60	DPC60-T	600 MCM	2 11/16	5 1/2
DPC65	DPC65-T	650 MCM	2 13/16	5 3/4
DPC75	DPC75-T	750 MCM	2 7/8	5 7/8
DPC80	DPC80-T	800 MCM	2 15/16	6
DPC85	DPC85-T	850 MCM	2 15/16	6
DPC100	DPC100-T	1000 MCM	3	6 1/8
DPC125	DPC125-T	1250 MCM	3 1/4	6 5/8
DPC130	DPC130-T	1300 MCM	3 1/4	6 5/8
DPC150	DPC150-T	1500 MCM	3 1/4	6 5/8
DPC175	DPC175-T	1750 MCM	3 1/2	7 1/8
DPC200	DPC200-T	2000 MCM	3 1/2	7 1/8

For information on installation tools refer to pages 246 and 247.

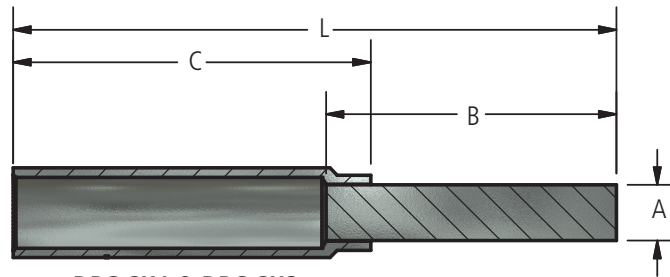
DOSSERT®

TYPE DPC-SH1, DPC-SH2, DPC-SH-90 Cable Terminal

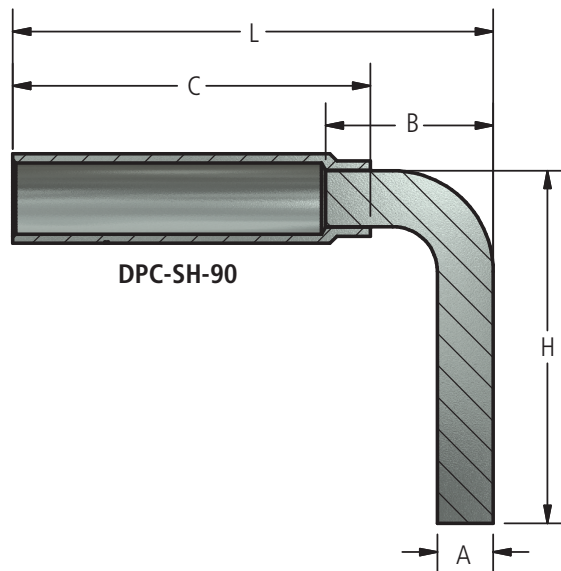
A compression seal plug for terminating a cable with a straight stud end. The cable receiving socket is provided with a shroud which makes a close fit over cable insulation. A weather seal for cable risers is provided by the shroud. Stud is specially bonded to cable socket element to form a single unit possessing high mechanical strength and high electrical conductivity. Made of pure copper and tin plated.

Material

Copper Alloy Electro Tin Plated



DPC-SH1 & DPC-SH2



DPC-SH-90



DOSSERT®

TYPE DPC-SH1, DPC-SH2, DPC-SH-90 Cable Terminal

Ordering Information

SH1 - SHORT TYPE							
CATALOG NUMBER	CABLE SIZE	DIMENSIONS IN INCHES					INDEX NO.
		A	B	C	H	L	
DPC4-SH1	#4 STR.	0.187	1.50	1.44	—	2.688	#8
DPC6-SH1	#2 STR.	0.250	1.56	1.56	—	2.880	#10
DPC8-SH1	#1 STR.	0.250	1.63	1.81	—	3.188	#11
DPC10-SH1	1/0 STR.	0.313	1.63	2.00	—	3.380	#12
DPC13-SH1	2/0 STR.	0.313	1.63	1.94	—	3.310	#13
DPC17-SH1	3/0 STR.	0.313	2.19	1.88	—	3.813	#14
DPC21-SH1	4/0 STR.	0.375	2.19	2.06	—	4.000	#15
DPC25-SH1	250 MCM	0.375	2.13	2.16	—	3.910	#16
DPC35-SH1	350 MCM	0.438	2.13	2.59	—	4.340	#18
DPC50-SH1	500 MCM	0.500	2.91	3.13	—	5.530	#20
DPC75-SH1	750 MCM	0.500	4.38	3.88	—	7.875	#24

SH2 - LONG TYPE							
CATALOG NUMBER	CABLE SIZE	DIMENSIONS IN INCHES					INDEX NO.
		A	B	C	H	L	
DPC4-SH2	#4 STR.	0.188	10.25	1.44	—	11.438	#8
DPC6-SH2	#2 STR.	0.250	10.25	1.56	—	11.560	#10
DPC8-SH2	#1 STR.	0.250	10.25	1.81	—	11.810	#11
DPC10-SH2	1/0 STR.	0.313	10.25	2.00	—	12.000	#12
DPC13-SH2	2/0 STR.	0.313	10.25	1.94	—	11.940	#13
DPC17-SH2	3/0 STR.	0.313	10.25	1.88	—	11.880	#14
DPC21-SH2	4/0 STR.	0.375	10.25	2.06	—	12.060	#15
DPC25-SH2	250 MCM	0.375	10.38	2.16	—	12.160	#16
DPC35-SH2	350 MCM	0.438	10.38	2.59	—	12.590	#18
DPC50-SH2	500 MCM	0.500	10.50	3.13	—	13.130	#20
DPC75-SH2	750 MCM	0.500	10.38	3.88	—	13.880	#24

SH-90 TYPE							
CATALOG NUMBER	CABLE SIZE	DIMENSIONS IN INCHES					INDEX NO.
		A	B	C	H	L	
DPC4-SH-90	#4 STR.	0.188	0.75	1.44	1.75	1.940	#8
DPC6-SH-90	#2 STR.	0.250	0.88	1.56	1.88	2.190	#10
DPC8-SH-90	#1 STR.	0.250	0.88	1.81	1.88	2.438	#11
DPC10-SH-90	1/0 STR.	0.313	0.94	2.00	1.97	2.690	#12
DPC13-SH-90	2/0 STR.	0.313	1.00	1.94	1.97	2.690	#13
DPC17-SH-90	3/0 STR.	0.313	1.00	1.88	1.97	2.630	#14
DPC21-SH-90	4/0 STR.	0.375	1.00	2.06	2.13	2.810	#15
DPC25-SH-90	250 MCM	0.375	1.13	2.16	2.63	3.030	#16
DPC35-SH-90	350 MCM	0.438	1.25	2.59	2.75	3.590	#18
DPC50-SH-90	500 MCM	0.500	1.38	3.13	3.25	4.250	#20

For information on installation tools refer to pages 246 and 247.

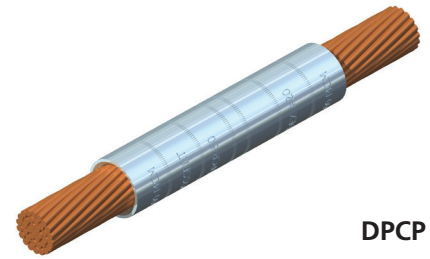
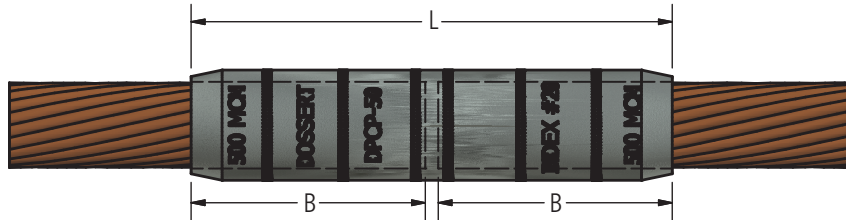


Bronze Compression Connectors

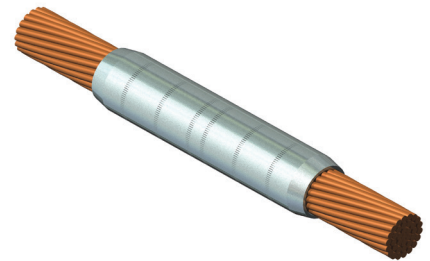
DOSSERT® TYPE DPCP, DPCP-T

Material

Tin plated copper alloy



DPCP



DPCP-T

Ordering Information

CATALOG NUMBER		CABLE SIZE	DIMENSIONS IN INCHES	
DPCP	DPCP-T		B	L
DPCP2	DPCP2-T	6 Str.	1 1/8	2 3/8
DPCP4	DPCP4-T	4 Str.	1 1/8	2 3/8
DPCP6	DPCP6-T	2 Str.	1 1/4	2 5/8
DPCP8	DPCP8-T	1 Str.	1 3/8	2 7/8
DPCP10	DPCP10-T	1/0 Str.	1 3/8	2 7/8
DPCP13	DPCP13-T	2/0 Str.	1 1/2	3 1/8
DPCP17	DPCP17-T	3/0 Str.	1 1/2	3 1/8
DPCP21	DPCP21-T	4/0 Str.	1 5/8	3 3/8
DPCP25	DPCP25-T	250 MCM	1 5/8	3 3/8
DPCP30	DPCP30-T	300 MCM	2	4 1/8
DPCP35	DPCP35-T	350 MCM	2	4 1/8
DPCP40	DPCP40-T	400 MCM	2 1/8	4 3/8
DPCP50	DPCP50-T	500 MCM	2 1/4	4 5/8
DPCP60	DPCP60-T	600 MCM	2 11/16	5 1/2
DPCP75	DPCP75-T	750 MCM	2 7/8	5 7/8
DPCP80	DPCP80-T	800 MCM	2 15/16	6
DPCP100	DPCP100-T	1000 MCM	3	6 1/8
DPCP125	DPCP125-T	1250 MCM	3 3/16	6.5
DPCP150	DPCP150-T	1500MCM	3 3/16	6.5
DPCP200	DPCP200-T	2000 MCM	3 7/16	7

For information on installation tools refer to pages 246 and 247.

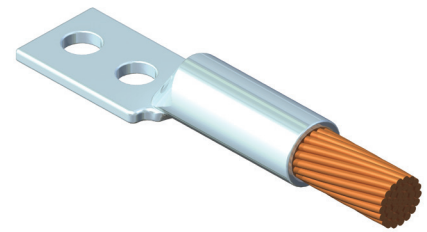
DOSSERT®

TYPE DPL, DPLA-45, DPLA-90

Copper Long Barrel Compression Terminal

DPLA-45 is at an angle of 45° and DPLA-90 is at an angle of 90°.

A precision made compression terminal lug for a full range of conductor sizes with 1, 2 and 4 hole pads in the larger sizes. Conductor is secured by indenting the barrel with any standard compression tool made for electrical lugs.



Material

Tin plated high conductivity copper alloy

Notes

- Terminal pads can be drilled to custom hole sizes and spacing.
- For a 45° angle, add suffix "-45" to end of catalog number and an "A" in the catalog number. EX: DPLA2-1-45
- For a 90° angle, add suffix "-90" to end of catalog number and an "A" in the catalog number EX: DPLA2-1-90

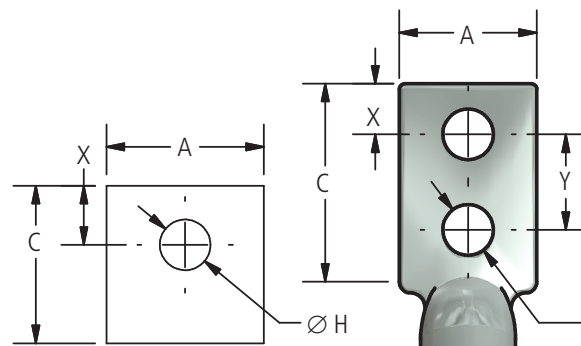
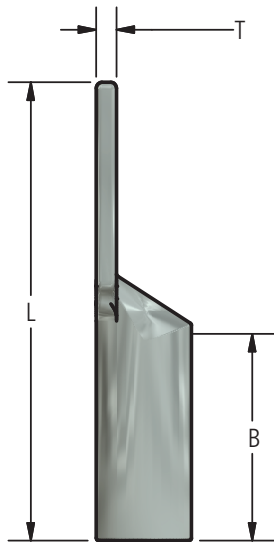


FIG. 1

FIG. 2

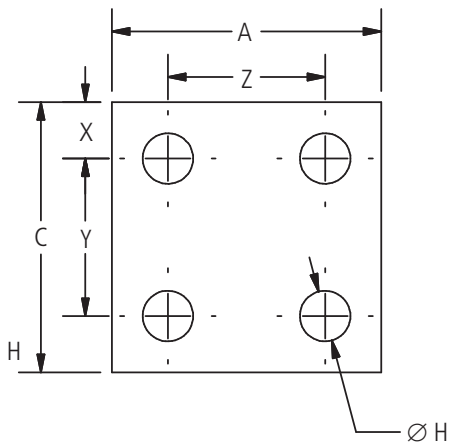


FIG. 3

continued
→



DOSSERT®

TYPE DPL, DPLA-45, DPLA-90 Copper Long Barrel Compression Terminal

Ordering Information

CATALOG NUMBER	CABLE SIZE	FIG. NO.	DIMENSIONS IN INCHES									DIE INDEX
			A	B	C	H	L	T	X	Y	Z	
DPL2-1	#6 STR	1	7/16	1 1/8	11/16	9/32	2 1/16	5/64	5/16	-	-	7
DPL2-2	#6 STR	2	7/16	1 1/8	1 5/16	9/32	2 11/16	5/64	5/16	5/8	-	7
DPL2-2N	#6 STR	2	1	1 1/8	3	9/16	5	7/64	5/8	1 3/4	-	7
DPL2-38	#6 STR	1	19/32	1 1/8	13/16	13/32	2 3/16	5/64	3/8	-	-	7
DPL4-1	#4 STR	1	1/2	1 1/8	11/16	9/32	2 3/32	3/32	5/16	-	-	8
DPL4-2	#4 STR	2	1/2	1 1/8	1 5/16	9/32	2 23/32	3/32	5/16	5/8	-	8
DPL4-38	#4 STR	1	19/32	1 1/8	13/16	13/32	2 3/16	3/32	3/8	-	-	8
DPL5-1	#3 STR	1	17/32	1 1/4	3/4	11/32	2 1/4	11/32	3/32	-	-	9
DPL5-2	#3 STR	2	17/32	1 1/4	1 1/2	11/32	3	11/32	3/32	3/4	-	9
DPL6-1	#2 STR	1	5/8	1 1/4	3/4	11/32	2 11/32	3/32	11/32	-	-	10
DPL6-2	#2 STR	2	5/8	1 1/4	1 1/2	11/32	3 3/32	3/32	11/32	3/4	-	10
DPL6-2N	#2 STR	2	13/16	1 1/4	3 1/16	9/16	4 3/4	5/64	5/8	1 3/4	-	10
DPL6-38	#2 STR	1	5/8	1 1/4	7/8	13/32	2 15/32	3/32	13/32	-	-	10
DPL6-50	#2 STR	1	13/16	1 1/4	1 1/4	9/16	3	5/64	5/8	-	-	10
DPL8-1	#1 STR	1	11/16	1 3/8	3/4	11/32	2 3/8	3/32	11/32	-	-	11
DPL8-2	#1 STR	2	11/16	1 3/8	1 5/8	11/32	3 1/4	3/32	11/32	7/8	-	11
DPL8-38	#1 STR	1	11/16	1 3/8	7/8	13/32	2 1/2	3/32	13/32	-	-	11
DPL8-50	#1 STR	1	13/16	1 3/8	15/16	9/16	3 3/8	5/64	5/8	-	-	11
DPL10-1	1/0 STR	1	3/4	1 3/8	3/4	11/32	2 9/16	7/64	11/32	-	-	12
DPL10-2	1/0 STR	2	3/4	1 3/8	1 5/8	11/32	3 7/16	7/64	11/32	7/8	-	12
DPL10-2N	1/0 STR	2	13/16	1 3/8	3 1/16	9/16	4 7/8	3/32	5/8	1 3/4	-	12
DPL10-38	1/0 STR	1	3/4	1 3/8	13/16	13/32	2 5/8	7/64	3/8	-	-	12
DPL10-50	1/0 STR	1	13/16	1 3/8	1 1/4	9/16	2 7/8	3/32	5/8	-	-	12
DPL13-1	2/0 STR	1	13/16	1 1/2	13/16	7/16	2 3/4	1/8	3/8	-	-	13
DPL13-2	2/0 STR	2	13/16	1 1/2	1 5/8	11/32	3 9/16	1/8	11/32	7/8	-	13
DPL13-2N	2/0 STR	2	13/16	1 1/2	3 1/16	9/16	5	1/8	5/8	1 3/4	-	13
DPL13-50	2/0 STR	1	13/16	1 1/2	1 1/4	9/16	3 1/4	1/8	5/8	-	-	13
DPL17-1	3/0 Str.	1	29/32	1 1/2	1 1/4	9/16	3 1/32	9/64	5/8	-	-	14
DPL17-2	3/0 Str.	2	29/32	1 1/2	1 13/16	7/16	3 25/32	9/64	3/8	1	-	14
DPL17-2N	3/0 Str.	2	29/32	1 1/2	3 1/16	9/16	5 1/32	9/64	5/8	1 3/4	-	14
DPL21-1	4/0 Str.	1	1	1 5/8	1 9/16	9/16	3 11/32	9/64	5/8	-	-	15
DPL21-2	4/0 Str.	2	1	1 5/8	1 13/16	7/16	4 1/32	9/64	3/8	1	-	15
DPL21-2N	4/0 Str.	2	1	1 5/8	3 1/16	9/16	5 9/32	9/64	5/8	1 3/4	-	15
DPL21-38	4/0 Str.	1	1	1 5/8	1	7/16	3 3/32	9/64	7/16	-	-	15
DPL21-62	4/0 Str.	1	1	1 5/8	1 1/4	21/32	3 7/8	9/64	5/8	-	-	15
DPL25-1	250 MCM	1	1 3/32	1 5/8	1 1/4	9/16	3 11/32	5/32	5/8	-	-	16
DPL25-2	250 MCM	2	1 3/32	1 5/8	1 13/16	7/16	4 1/32	5/32	3/8	1 1/16	-	16
DPL25-2N	250 MCM	2	1 3/32	1 5/8	3 1/16	9/16	5 9/32	5/32	5/8	1 3/4	-	16
DPL25-38	250 MCM	1	1 3/32	1 5/8	1	7/16	3 3/32	5/32	7/16	-	-	16
DPL30-1	300 MCM	1	1 3/16	2	1 1/4	9/16	3 3/4	5/32	5/8	-	-	17
DPL30-2	300 MCM	2	1 3/16	2	1 7/8	7/16	4 1/4	5/32	3/8	1 1/16	-	17
DPL30-2N	300 MCM	2	1 3/16	2	3 1/16	9/16	5 11/16	5/32	5/8	1 3/4	-	17
DPL30-31	300 MCM	1	1 3/16	2	3/4	11/32	3 3/8	5/32	11/32	-	-	17
DPL30-38	300 MCM	1	1 3/16	2	13/16	7/16	3 7/16	5/32	3/8	-	-	17

continued
→



DOSSERT®

TYPE DPL, DPLA-45, DPLA-90 Copper Long Barrel Compression Terminal

Ordering Information

CATALOG NUMBER	CABLE SIZE	FIG. NO.	DIMENSIONS IN INCHES									DIE INDEX
			A	B	C	H	L	T	X	Y	Z	
DPL35-1	350 MCM	1	1 9/32	2	1 1/4	9/16	3 13/16	11/64	5/8	-	-	18
DPL35-2	350 MCM	2	1 9/32	2	1 7/8	7/16	4 9/16	11/64	3/8	1 1/16	-	18
DPL35-2N	350 MCM	2	1 9/32	2	3 3/16	9/16	5 3/4	11/64	5/8	1 3/4	-	18
DPL35-38	350 MCM	1	1 9/32	2	13/16	7/16	3 3/8	11/64	3/8	-	-	18
DPL40-1	400 MCM	1	1 3/8	2 1/8	1 3/8	11/16	4 1/8	3/16	21/32	-	-	19
DPL40-2	400 MCM	2	1 3/8	2 1/8	2	7/16	4 3/4	3/16	7/16	1 1/16	-	19
DPL40-2N	400 MCM	2	1 3/8	2 1/8	3 1/16	9/16	5 13/16	3/16	5/8	1 3/4	-	19
DPL40-38	400 MCM	1	1 3/8	2 1/8	15/16	7/16	3 11/16	3/16	7/16	-	-	19
DPL40-50	400 MCM	1	1 3/8	2 1/8	1 1/4	9/16	3 7/8	3/16	5/8	-	-	19
DPL40-87	400 MCM	1	1 3/8	2 1/8	1 7/8	29/32	4 5/8	3/16	7/8	-	-	19
DPL50-1	500 MCM	1	1 17/32	2 1/4	1 3/8	11/16	4 15/32	7/32	21/32	-	-	20
DPL50-2	500 MCM	2	1 17/32	2 1/4	2	7/16	5 3/32	7/32	7/16	1 1/16	-	20
DPL50-2N	500 MCM	2	1 17/32	2 1/4	3 1/16	9/16	6 5/32	7/32	5/8	1 3/4	-	20
DPL50-50	500 MCM	1	1 17/32	2 1/4	1 1/4	9/16	4 7/32	7/32	5/8	-	-	20
DPL50-87	500 MCM	1	1 17/32	2 1/4	1 7/8	29/32	4 31/32	7/32	7/8	-	-	20
DPL60-1	600 MCM	1	1 23/32	2 11/16	1 13/16	11/16	5 19/32	17/64	7/8	-	-	22
DPL60-2	600 MCM	2	1 23/32	2 11/16	2 1/16	7/16	5 27/32	17/64	7/16	1 1/8	-	22
DPL60-2N	600 MCM	2	1 23/32	2 11/16	3 1/16	9/16	6 29/32	17/64	5/8	1 3/4	-	22
DPL60-50	600 MCM	1	1 23/32	2 11/16	1 1/4	9/16	5 1/32	17/64	5/8	-	-	22
DPL70-1	700 MCM	1	1 27/32	1 5/8	1 7/8	11/16	4	17/64	7/8	-	-	
DPL70-2N	700 MCM	2	1 27/32	2 7/8	3 1/8	9/16	7	17/64	5/8	1 3/4	-	
DPL75-1	750 MCM	1	1 7/8	2 7/8	1 7/8	11/16	5 23/32	17/64	7/8	-	-	24
DPL75-2	750 MCM	2	1 7/8	2 7/8	2 1/4	7/16	6 3/32	17/64	1/2	1 1/8	-	24
DPL75-2N	750 MCM	2	1 7/8	2 7/8	3 1/8	9/16	6 31/32	17/64	5/8	1 3/4	-	24
DPL75-50	750 MCM	1	1 7/8	2 7/8	1 1/4	9/16	5 15/32	17/64	5/8	-	-	24
DPL75-87	750 MCM	1	1 7/8	2 7/8	1 7/8	29/32	5 23/32	17/64	7/8	-	-	24
DPL80-1	800 MCM	1	1 15/16	2 15/16	2	11/16	5 13/16	9/32	15/16	-	-	25
DPL80-2	300 MCM	2	1 15/16	2 15/16	2 1/4	7/16	6 3/16	9/32	1/2	1 1/8	-	25
DPL80-2N	800 MCM	2	1 15/16	2 15/16	3 1/8	9/16	7 1/16	9/32	5/8	1 3/4	-	25
DPL100-1	1000 MCM	1	2 5/32	3	2	11/16	6 3/8	21/64	15/16	-	-	27
DPL100-2	1000 MCM	2	2 5/32	3	2 1/2	9/16	6 5/8	21/64	9/16	1 1/4	-	27
DPL100-2N	1000 MCM	2	2 5/32	3	3 1/8	9/16	7 1/4	21/64	5/8	1 3/4	-	27
DPL100-4	1000 MCM	3	2 5/32	3	2 1/4	7/16	6 3/8	21/64	1/2	1 1/8	1 1/8	27
DPL125-1	1250 MCM	1	2 7/16	3 3/16	2 1/4	11/16	6 5/8	11/32	1 1/16	-	-	29
DPL125-2N	1250 MCM	2	2 7/16	3 3/16	3 1/8	9/16	7 9/16	11/32	5/8	1 3/4	-	29
DPL150-1	1500 MCM	1	2 11/16	3 3/16	2 3/8	13/16	7 1/4	25/64	1 1/8	-	-	31
DPL150-2	1500 MCM	2	2 11/16	3 3/16	2 5/8	9/16	7 1/2	25/64	9/16	1 3/8	-	31
DPL150-2N	1500 MCM	2	2 11/16	3 3/16	3 1/8	9/16	7 13/16	25/64	5/8	1 3/4	-	31
DPL150-4	1500 MCM	3	2 11/16	3 3/16	2 5/8	9/16	7 1/2	25/64	9/16	1 3/8	1 3/8	31
DPL150-4N	1500 MCM	3	2 11/16	3 3/16	3 1/8	9/16	7 13/16	25/64	5/8	1 3/4	1 3/4	31
DPL200-1	2000 MCM	1	3 5/64	3 7/16	2 1/2	13/16	7 3/8	15/32	1 3/16	-	-	34
DPL200-2	2000 MCM	2	3 5/64	3 7/16	2 3/4	9/16	7 5/8	15/32	9/16	1 1/2	-	34
DPL200-2N	2000 MCM	2	3 5/64	3 7/16	3 1/8	9/16	8	15/32	5/8	1 3/4	-	34
DPL200-4	2000 MCM	3	3 5/64	3 7/16	2 3/4	9/16	7 5/8	15/32	9/16	1 1/2	1 1/2	34
DPL200-4N	2000 MCM	3	3 5/64	3 7/16	3 1/8	9/16	8	15/32	5/8	1 3/4	1 3/4	34

For information on installation tools, refer to pages 246 and 247 of AFL's Substation catalog.

DOSSERT®

TYPE DPLE-N

Copper Heavy Duty Terminal For Cable

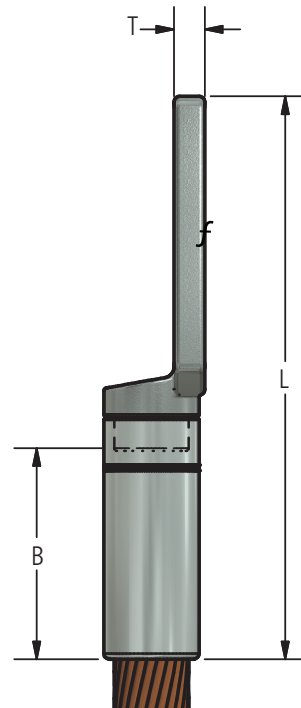
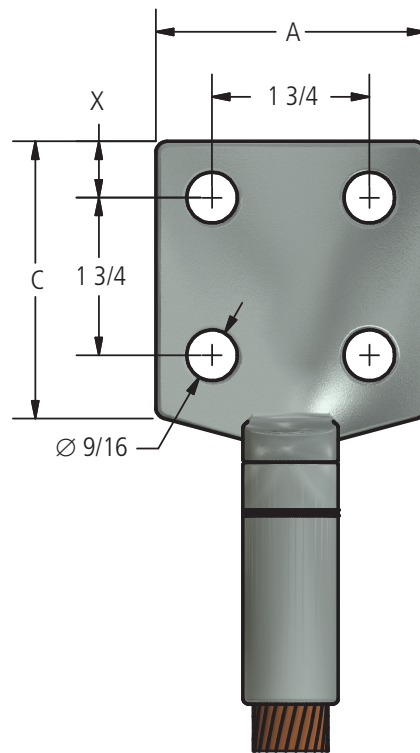
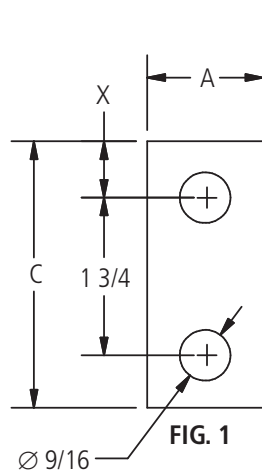
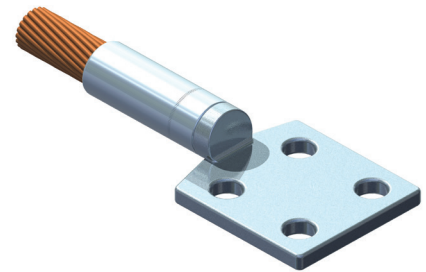
A compression terminal lug designed to provide the necessary pad width for NEMA two-hole and four-hole standard drilling. The barrel element is made of high conductivity copper specially bonded to the cast copper alloy body. Completely tin plated for maximum resistance to corrosion. All sizes are designed to indentations in cable socket.

Material

Tin-plated Copper Alloy

Notes

- Add suffix (F) to catalog number for pad to be machined on both sides. Ex:DPLE150-4NF
- For an angled pad, add the desired angle to the catalog number: Ex: DPLE100-2N-15





DOSSERT®

TYPE DPLE-N

Copper Heavy Duty Terminal For Cable

Ordering Information

CATALOG NUMBER	CABLE SIZE	FIG. NO.	DIMENSIONS IN INCHES					
			A	B	C	L	T	X
DPLE2-2N	6 Str	1	1	1 1/4	3	4 5/8	3/16	5/8
DPLE4-2N	4 Str	1	1	1 1/4	3	4 5/8	3/16	5/8
DPLE6-2N	2 Str	1	1 1/8	1 3/8	3	4 3/4	7/32	5/8
DPLE8-2N	1 Str	1	1 1/8	1 1/2	3	5	7/32	5/8
DPLE10-2N	1/0 Str	1	1 1/4	1 1/2	3	5	1/4	5/8
DPLE13-2N	2/0 Str	1	1 1/4	2 1/8	3	5 3/4	1/4	5/8
DPLE17-2N	3/0 Str	1	1 1/4	2 1/8	3	5 3/4	1/4	5/8
DPLE17-4N	3/0 Str	2	3	2 1/8	3	5 3/4	1/4	5/8
DPLE21-2N	4/0 Str	1	1 1/4	2 1/8	3	5 3/4	7/32	5/8
DPLE21-4N	4/0 Str	2	3	2 1/8	3	5 25/32	1/4	5/8
DPLE21-4N4	4/0 Str	2	4	2 3/32	4	6 25/32	11/32	1 1/8
DPLE25-2N	250 MCM	1	1 1/4	2 1/8	3	5 11/16	5/16	5/8
DPLE25-4N	250 MCM	2	3	2 1/8	3	5 11/16	5/16	5/8
DPLE30-2N	300 MCM	1	1 3/8	2 1/8	3	6 1/16	5/16	5/8
DPLE30-4N	300 MCM	2	3	2 1/8	3	6 1/16	5/16	5/8
DPLE35-2N	350 MCM	1	1 3/8	2 1/4	3	6 3/16	5/16	5/8
DPLE35-4N	350 MCM	2	3	2 1/4	3	6 3/16	5/16	5/8
DPLE40-2N	400 MCM	1	1 1/2	2 1/4	3	6 1/4	5/16	5/8
DPLE40-4N	400 MCM	2	3	2 1/4	3	6 1/4	5/16	5/8
DPLE50-2N	500 MCM	1	1 1/2	2 1/4	3	6 1/4	11/32	5/8
DPLE50-4N	500 MCM	2	3	2 5/16	3	6 1/4	1/4	5/8
DPLE50-4N4	500 MCM	2	4	2 5/16	4	7 3/8	11/32	1 1/8
DPLE60-2N	600 MCM	1	1 3/4	2 3/4	3	6 3/4	3/8	5/8
DPLE60-4N	600 MCM	2	3	2 3/4	3	6 3/4	3/8	5/8
DPLE65-2N	650 MCM	1	1 3/4	2 7/8	3	6 7/8	3/8	5/8
DPLE75-2N	750 MCM	1	1 3/4	3	3	7	3/8	5/8
DPLE75-4N	750 MCM	2	3	3	3	6 15/16	3/8	5/8
DPLE75-4N4	750 MCM	2	4	3	4	8	3/8	1 1/8
DPLE80-2N	800 MCM	1	1 3/4	3	3	7 1/8	3/8	5/8
DPLE80-4N	800 MCM	2	3	3	3	7 1/8	1/2	5/8
DPLE100-2N	1000 MCM	1	2	3	3	7 1/8	7/16	5/8
DPLE100-4N	1000 MCM	2	3	3	3	7 1/8	7/16	5/8
DPLE100-4N4	1000 MCM	2	4	3 3/8	4	8	3/8	1 1/8
DPLE125-2N	1250 MCM	1	2	3 1/4	3	7 5/8	1/2	5/8
DPLE125-4N	1250 MCM	2	3	3 1/4	3	7 5/8	1/2	5/8
DPLE150-2N	1500 MCM	1	2 5/8	3 1/4	3	7 3/4	9/16	5/8
DPLE150-4N	1500 MCM	2	3	3 1/4	3	7 3/4	9/16	5/8
DPLE150-4N4	1500 MCM	2	4	3 1/4	4	8 3/4	9/16	1 1/8
DPLE175-4N	1750 MCM	2	3	3 3/8	3	8	9/16	5/8
DPLE175-4N4	1750 MCM	2	4	3 3/8	4	9	9/16	1 1/8
DPLE200-2N	2000 MCM	1	2 3/4	3 3/8	3	7 3/4	5/8	5/8
DPLE200-4N	2000 MCM	2	3	3 3/8	3	7 3/4	5/8	5/8
DPLE200-4N4	2000 MCM	2	4	3 3/8	4	8 3/4	5/8	1 1/8

For information on installation tools refer to pages 246 and 247.

DOSSERT®

TYPE DPLS

Copper Short Barrel Terminal

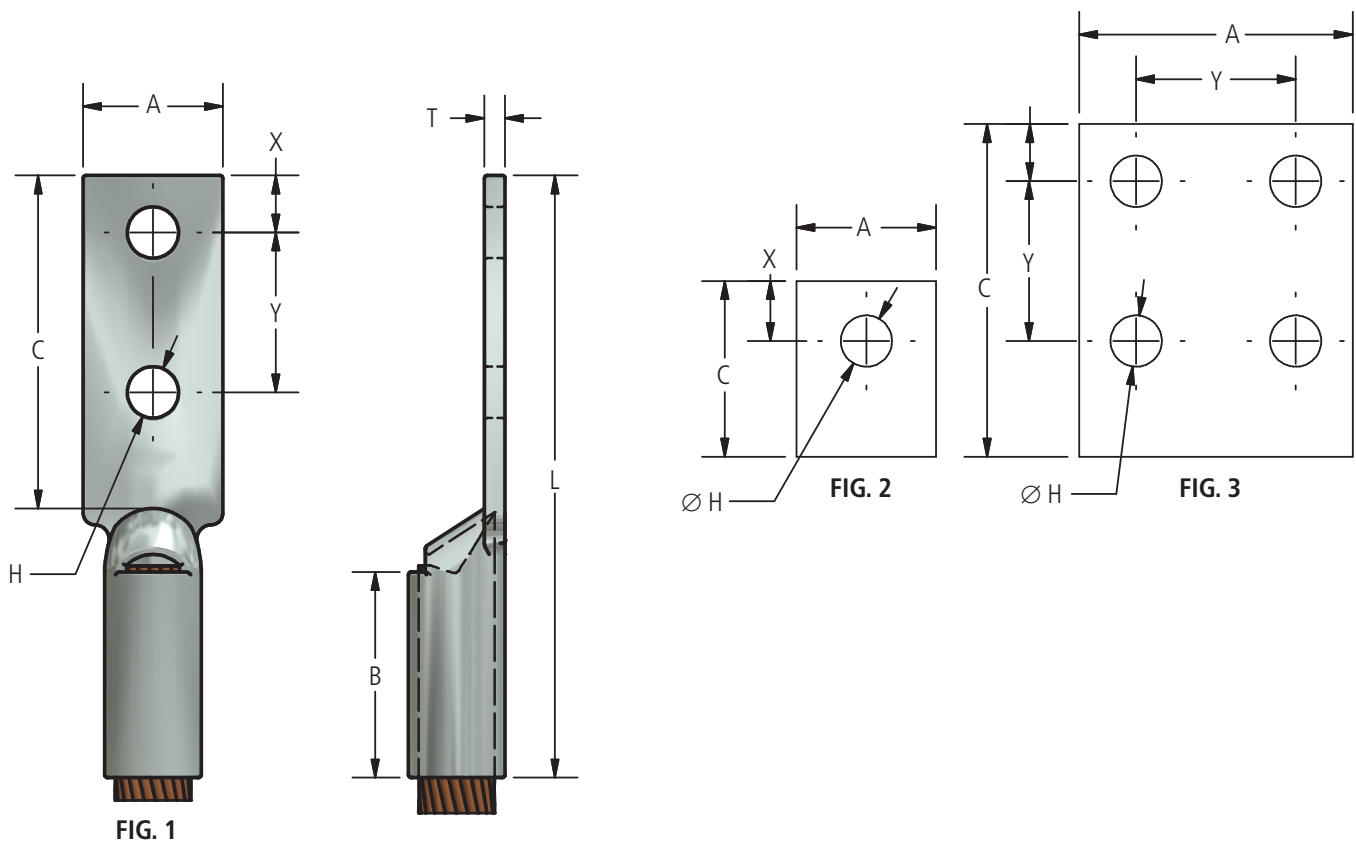
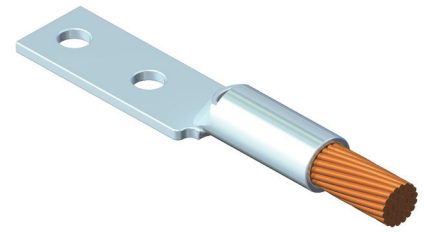
For connecting cable to flat contact. A short barrel compression terminal lug for a complete range of cable sizes from 6 str. to 2000 MCM. The short barrel feature enables terminal to be installed where space is at a minimum. An inspection aperture insures full insertion of cable. A generous entrance chamfer facilitates cable insertion. NEMA standard drilling and stud or screw spacing are identified by the letter "N" suffixed to catalog number.

Material

Tin plated copper alloy

Note

Terminal pads can be drilled to custom hole sizes and spacing. Angled pads also available, please contact the factory.





DOSSERT®

TYPE DPLS Copper Short Barrel Terminal

Ordering Information

CATALOG NUMBER	CABLE SIZE	FIG. NO.	DIMENSIONS IN INCHES								DIE INDEX
			A	B	C	H	L	T	X	Y	
DPLS2-18	6 Str.	2	7/16	13/16	1/2	7/32	1 13/32	5/64	7/32	-	7
DPLS2-1	6 Str.	2	7/16	13/16	11/16	9/32	1 19/32	5/64	5/16	-	7
DPLS2-31	6 Str.	2	19/32	13/16	3/4	11/32	1 21/32	3/64	11/32	-	7
DPLS2-38	6 Str.	2	19/32	13/16	13/16	13/32	1 23/32	3/64	3/8	-	7
DPLS2-2	6 Str.	1	7/16	13/16	1 5/16	9/32	2 7/32	5/64	5/16	5/8	7
DPLS4-18	4 Str.	2	1/2	13/16	1/2	7/32	1 1/2	3/32	7/32	-	8
DPLS4-1	4 Str.	2	1/2	13/16	11/16	9/32	1 11/16	3/32	5/16	-	8
DPLS4-31	4 Str.	2	19/32	13/16	3/4	11/32	1 3/4	1/16	11/32	-	8
DPLS4-38	4 Str.	2	19/32	13/16	13/16	13/32	1 13/16	1/16	3/8	-	8
DPLS4-2	4 Str.	1	1/2	13/16	1 5/16	9/32	2 5/16	3/32	5/16	5/8	8
DPLS6-25	2 Str.	2	5/8	7/8	11/16	9/32	1 25/32	3/32	5/16	-	10
DPLS6-1	2 Str.	2	5/8	7/8	3/4	11/32	1 27/32	3/32	11/32	-	10
DPLS6-38	2 Str.	2	5/8	7/8	13/16	13/32	1 29/32	3/32	3/8	-	10
DPLS6-2	2 Str.	1	5/8	7/8	1 1/2	11/32	2 19/32	3/32	11/32	3/4	10
DPLS6-2N	2 Str.	1	13/16	7/8	3 1/16	9/16	4 3/8	5/64	5/8	1 3/4	10
DPLS8-25	1 Str.	2	11/16	7/8	3/4	9/32	1 29/32	3/32	11/32	-	11
DPLS8-1	1 Str.	2	11/16	7/8	3/4	11/32	1 29/32	3/32	11/32	-	11
DPLS8-38	1 Str.	2	11/16	7/8	13/16	13/32	1 31/32	3/32	3/8	-	11
DPLS8-2	1 Str.	1	11/16	7/8	1 5/8	11/32	2 25/32	3/32	11/32	7/8	11
DPLS10-25	1/0 Str.	2	3/4	7/8	11/16	9/32	1 13/16	7/64	5/16	-	12
DPLS10-1	1/0 Str.	2	3/4	7/8	3/4	11/32	1 7/8	7/64	11/32	-	12
DPLS10-38	1/0 Str.	2	3/4	7/8	13/16	13/32	1 15/16	7/64	3/8	-	12
DPLS10-50	1/0 Str.	2	3/4	7/8	1 1/16	17/32	2 3/16	3/32	1/2	-	12
DPLS10-2	1/0 Str.	1	13/16	7/8	1 5/8	11/32	2 3/4	7/64	11/32	7/8	12
DPLS10-2N	1/0 Str.	1	13/16	7/8	3 1/16	9/16	4 3/16	3/32	5/8	1 3/4	12
DPLS10-2-31	1/0 Str.	1	13/16	7/8	1 15/16	11/32	2 15/16	3/32	3/8	1	12
DPLS13-25	2/0 Str.	2	13/16	15/16	11/16	9/32	1 31/32	1/8	5/16	-	13
DPLS13-31	2/0 Str.	2	13/16	15/16	3/4	11/32	2 1/32	1/8	11/32	-	13
DPLS13-1	2/0 Str.	2	13/16	15/16	13/16	13/32	2 3/32	1/8	3/8	-	13
DPLS13-50	2/0 Str.	2	13/16	15/16	1 1/16	17/32	2 11/32	1/8	1/2	-	13
DPLS13-2	2/0 Str.	1	13/16	15/16	1 5/8	11/32	2 29/32	1/8	11/32	7/8	13
DPLS13-2N	2/0 Str.	1	13/16	15/16	3 1/16	9/16	4 11/32	1/8	5/8	1 3/4	13
DPLS17-25	3/0 Str.	2	29/32	1	11/16	9/32	2	9/64	5/16	-	14
DPLS17-31	3/0 Str.	2	29/32	1	3/4	11/32	2 1/16	9/64	11/32	-	14
DPLS17-38	3/0 Str.	2	29/32	1	13/16	13/32	2 1/8	9/64	3/8	-	14
DPLS17-1	3/0 Str.	2	29/32	1	1 1/16	17/32	2 3/8	9/64	1/2	-	14
DPLS17-2N	3/0 Str.	1	29/32	1	3 1/16	9/16	4 3/8	9/64	5/8	1 3/4	14
DPLS17-2	3/0 Str.	1	29/32	1	1 13/16	13/32	3 9/32	9/64	3/8	1	14
DPLS21-25	4/0 Str.	2	1	1	11/16	9/32	2 1/32	9/64	5/16	-	15
DPLS21-31	4/0 Str.	2	1	1	3/4	11/32	2 3/32	9/64	11/32	-	15
DPLS21-38	4/0 Str.	2	1	1	13/16	13/32	2 5/32	9/64	3/8	-	15
DPLS21-1	4/0 Str.	2	1	1	1 1/16	17/32	2 13/32	9/64	1/2	-	15
DPLS21-2	4/0 Str.	1	1	1	1 13/16	7/16	3 3/32	9/64	3/8	1	15
DPLS21-2N	4/0 Str.	1	1	1	3 1/16	9/16	4 13/32	9/64	5/8	1 3/4	15
DPLS21-2-31	4/0 Str.	1	1	1	2 1/8	11/32	3 3/8	9/64	9/16	1	15
DPLS25-25	250 MCM	2	1 3/32	1 1/16	11/16	9/32	2 1/8	5/32	5/16	-	16
DPLS25-31	250 MCM	2	1 3/32	1 1/16	3/4	11/32	2 3/16	5/32	11/32	-	16
DPLS25-38	250 MCM	2	1 3/32	1 1/16	13/16	13/32	2 1/4	5/32	3/8	-	16
DPLS25-1	250 MCM	2	1 3/32	1 1/16	1 1/16	17/32	2 1/2	5/32	1/2	-	16
DPLS25-2	250 MCM	1	1 3/32	1 1/16	1 7/8	7/16	3 5/16	5/32	3/8	1 1/16	16
DPLS25-2N	250 MCM	1	1 3/32	1 1/16	3 1/16	9/16	4 1/2	5/32	5/8	1 3/4	16
DPLS30-31	300 MCM	2	1 3/16	1 1/16	3/4	3/8	2 7/32	5/32	11/32	-	17
DPLS30-38	300 MCM	2	1 3/16	1 1/16	13/16	7/16	2 9/32	5/32	3/8	-	17
DPLS30-1	300 MCM	2	1 3/16	1 1/16	1 1/8	9/16	2 19/32	5/32	17/32	-	17
DPLS30-62	300 MCM	2	1 3/16	1 1/16	2	11/16	3 15/32	5/32	15/16	-	17
DPLS30-2	300 MCM	1	1 3/16	1 1/16	1 7/8	7/16	3 11/32	5/32	3/8	1 1/16	17
DPLS30-2N	300 MCM	1	1 3/16	1 1/16	3 1/16	9/16	4 17/32	5/32	5/8	1 3/4	17
DPLS35-1	350 MCM	2	1 9/32	1 1/8	1 1/8	9/16	2 11/16	11/64	17/32	-	18
DPLS35-2	350 MCM	2	1 9/32	1 1/8	2	11/16	3 9/16	11/64	15/16	-	18
DPLS35-2	350 MCM	1	1 9/32	1 1/8	1 7/8	7/16	3 7/16	11/64	3/8	1 1/16	18
DPLS35-2N	350 MCM	1	1 9/32	1 1/8	3 1/16	9/16	4 5/8	11/64	5/8	1 3/4	18
DPLS40-50	400 MCM	2	1 3/8	1 3/16	1 1/8	9/16	2 3/4	3/16	17/32	-	19



DOSSERT®

TYPE DPLS
Copper Short Barrel Terminal

Ordering Information

CATALOG NUMBER	CABLE SIZE	FIG. NO.	DIMENSIONS IN INCHES								DIE INDEX
			A	B	C	H	L	T	X	Y	
DPLS40-1	400 MCM	2	1 3/8	1 3/16	1 3/8	11/16	3	3/16	21/32	-	19
DPLS40-2	400 MCM	1	1 3/8	1 3/16	2	7/16	3 5/8	3/16	7/16	1 1/16	19
DPLS40-2N	400 MCM	1	1 3/8	1 3/16	3 1/16	9/16	4 11/16	3/16	5/8	1 3/4	19
DPLS50-50	500 MCM	2	1 17/32	1 3/8	1 3/16	9/16	3 3/16	7/32	5/8	-	20
DPLS50-1	500 MCM	2	1 17/32	1 3/8	1 3/8	11/16	3 3/8	7/32	21/32	-	20
DPLS50-2	500 MCM	1	1 17/32	1 3/8	2	7/16	4	7/32	7/16	1 1/16	20
DPLS50-2N	500 MCM	1	1 17/32	1 3/8	3 1/16	9/16	5 1/16	7/32	5/8	1 3/4	20
DPLS60-1	600 MCM	2	1 11/16	1 3/8	1 3/4	11/16	3 3/4	17/64	7/8	-	22
DPLS60-2	600 MCM	1	1 11/16	1 3/8	2	9/16	4	17/64	7/16	1 1/16	22
DPLS60-2N	600 MCM	1	1 11/16	1 3/8	3 1/16	7/16	5 1/16	17/64	5/8	1 3/4	22
DPLS75-1	750 MCM	2	1 7/8	1 5/8	1 7/8	11/16	4 1/8	17/64	7/8	-	24
DPLS75-2N	750 MCM	1	1 7/8	1 5/8	3 1/8	9/16	5 3/8	17/64	5/8	1 3/4	24
DPLS80-1	800 MCM	2	1 7/8	1 5/8	2	11/16	4 1/2	9/32	15/16	-	25
DPLS80-2N	800 MCM	1	1 7/8	1 5/8	3 1/8	9/16	5 5/8	9/32	5/8	1 3/4	25
DPLS100-1	1000 MCM	2	2 5/32	1 7/8	2	11/16	4 15/16	21/64	15/16	-	27
DPLS100-2N	1000 MCM	1	2 5/32	1 7/8	3 1/8	9/16	6 1/16	21/64	5/8	1 3/4	27
DPLS100-4	1000 MCM	3	2 5/32	1 7/8	2 1/4	7/16	5 3/16	21/64	1/2	1 1/8	27
DPLS150-1	1500 MCM	2	2 11/16	2	2 3/8	11/16	6 5/16	25/64	1 1/8	-	31
DPLS150-2	1500 MCM	1	2 11/16	2	2 5/8	9/16	7 1/16	25/64	9/16	1 3/8	31
DPLS150-2N	1500 MCM	1	2 11/16	2	3 1/8	9/16	6 9/16	25/64	5/8	1 3/4	31
DPLS150-4	1500 MCM	3	2 11/16	2	2 5/8	9/16	6 9/16	25/64	9/16	1 3/8	31
DPLS200-1	2000 MCM	2	3 5/64	2 1/4	2 1/2	13/16	6 1/2	15/32	1 13/16	-	34
DPLS200-2N	2000 MCM	1	3 5/64	2 1/4	3 1/8	9/16	7 1/8	15/32	5/8	1 3/4	34
DPLS200-4	2000 MCM	3	3 5/64	2 1/4	2 3/4	9/16	6 3/4	15/32	9/16	1 1/2	34
DPLS200-4N	2000 MCM	3	3 5/64	2 1/4	3 1/8	9/16	7 1/8	15/32	5/8	1 3/4	34

For information on installation tools refer to pages 246 and 247.



Bronze Compression Connectors

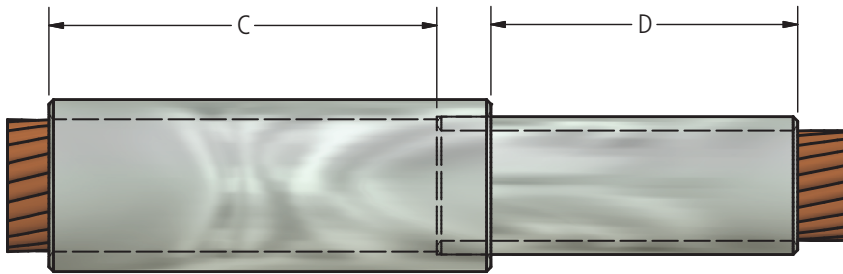
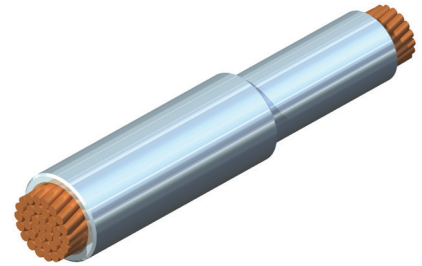
DOSSERT®

TYPE DPR Copper Reducing Coupler

A Seamless reducing coupler for splicing two different sized cables end-to-end. The larger cable is inserted first and stops against the center of the connector where the small diameter portion begins. This insures that both conductors are at the proper depth before crimping. Entrance chamfers are provided to aid in cable insertion. Accepting a wide range of cable diameters, connectors are stamped with full catalog numbers and conductor sizes for quick identification.

Material

Tin plated copper alloy





Bronze Compression Connectors

DOSSERT®

TYPE DPR Copper Reducing Coupler

Ordering Information

CATALOG NUMBER	CABLE SIZE		DIMENSIONS IN INCHES	
	RUN	TAP	C	D
DPR4-2	4 Str.	6 Str.	1 1/8	1 1/4
DPR6-2	2 Str.	6 Str.	1 1/4	1 1/8
DPR6-4	2 Str.	4 Str.	1 1/4	1 1/8
DPR10-2	1/0 Str.	6 Str.	1 3/8	1 1/8
DPR10-4	1/0 Str.	4 Str.	1 3/8	1 1/8
DPR10-6	1/0 Str.	2 Str.	1 3/8	1 1/8
DPR13-2	2/0 Str.	6 Str.	1 1/2	1 1/8
DPR13-4	2/0 Str.	4 Str.	1 1/2	1 1/8
DPR13-6	2/0 Str.	2 Str.	1 1/2	1 1/4
DPR13-10	2/0 Str.	1/0 Str.	1 1/2	1 3/8
DPR21-2	4/0 Str.	6 Str.	1 5/8	1 1/8
DPR21-4	4/0 Str.	4 Str.	1 5/8	1 1/8
DPR21-6	4/0 Str.	2 Str.	1 5/8	1 1/4
DPR21-10	4/0 Str.	1/0 Str.	1 5/8	1 3/8
DPR21-13	4/0 Str.	2/0 Str.	1 5/8	1 1/2
DPR25-4	250 MCM	4 Str.	1 5/8	1 1/8
DPR25-6	250 MCM	2 Str.	1 5/8	1 1/4
DPR25-10	250 MCM	1/0 Str.	1 5/8	1 3/8
DPR25-13	250 MCM	2/0 Str.	1 5/8	1 1/2
DPR25-21	250 MCM	4/0 Str.	1 5/8	1 5/8
DPR35-6	350 MCM	2 Str.	2	1 1/4
DPR35-10	350 MCM	1/0 Str.	2	1 3/8
DPR35-13	350 MCM	2/0 Str.	2	1 1/2
DPR35-21	350 MCM	4/0 Str.	2	1 5/8
DPR35-25	350 MCM	250 MCM	2	1 5/8
DPR50-10	500 MCM	1/0 Str.	2 1/4	1 3/8
DPR50-13	500 MCM	2/0 Str.	2 1/4	1 1/2
DPR50-21	500 MCM	4/0 Str.	2 1/4	1 5/8
DPR50-25	500 MCM	250 MCM	2 1/4	1 5/8
DPR50-35	500 MCM	350 MCM	2 1/4	2
DPR75-13	750 MCM	2/0 Str.	2 7/8	1 1/2
DPR75-21	750 MCM	4/0 Str.	2 7/8	1 5/8
DPR75-25	750 MCM	250 MCM	2 7/8	1 5/8
DPR7-5.35	750 MCM	350 MCM	2 7/8	2
DPR75-50	750 MCM	500 MCM	2 7/8	2 1/4
DPR100-21	1000 MCM	4/0 Str.	3	1 5/8
DPR100-25	1000 MCM	250 MCM	3	1 5/8
DPR100-35	1000 MCM	350 MCM	3	2
DPR100-50	1000 MCM	500 MCM	3	2 1/4
DPR100-75	1000 MCM	750 MCM	3	2 7/8
DPR150-25	1500 MCM	250 MCM	3 1/4	1 5/8
DPR150-35	1500 MCM	350 MCM	3 1/4	2
DPR150-50	1500 MCM	500 MCM	3 1/4	2 1/4
DPR150-75	1500 MCM	750 MCM	3 1/4	2 7/8
DPR150-100	1500 MCM	1000 MCM	3 1/4	3

For information on installation tools refer to pages 246 and 247.

DOSSERT®

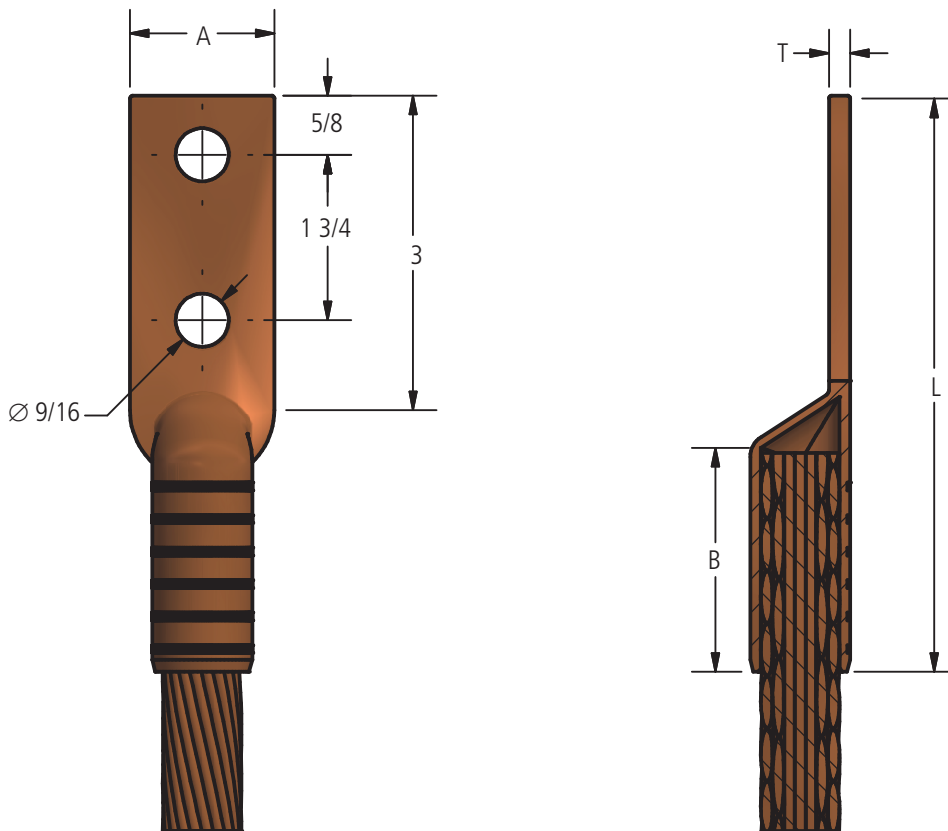
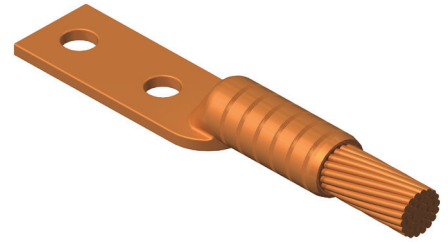
TYPE LCA Compression Terminal Lug

Material

Pure Copper Tubing

Note

- Barrel lined with Silicon Carbide Powder. For a tin plating add suffix 'SN' to catalog number. Available with solder sealing add suffix 'MT' to catalog number.
- For a 3/0 STR cable with a 2 hole terminal pad, tin plated use LCA17-2N-SN.



Ordering Information

CATALOG NUMBER	CABLE SIZE	DIMENSIONS IN INCHES			
		A	B	L	T
LCA10-2N	1/0 STR	7/8	1 9/16	5 1/4	7/32
LCA13-2N	2/0 STR	1	1 9/16	5 1/4	1/4
LCA17-2N	3/0 STR	1 1/16	1 9/16	5 3/8	5/16
LCA21-2N	4/0 STR	1 7/32	1 9/16	5 3/8	5/16
LCA25-2N	250 MCM	1 5/16	1 3/4	5 3/8	11/32
LCA30-2N	300 MCM	1 7/16	1 3/4	5 1/2	3/8
LCA35-2N	350 MCM	1 19/32	2 3/4	6 1/2	7/16



Bronze Compression Connectors

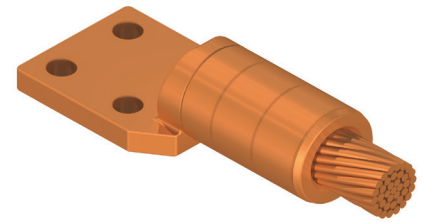
DOSSERT® TYPE LCAE Compression Terminal Lug

Material

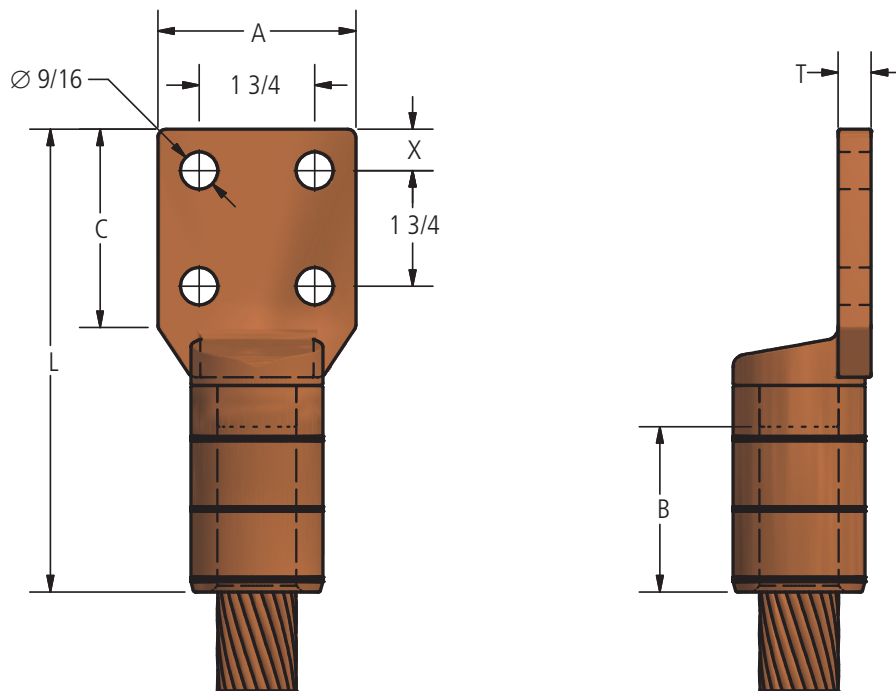
Copper Alloy

Note

- Barrel lined with Silicon Carbide Powder.
- For Tin plating finish add suffix "-SN" to catalog number. Ex: LCAE10-4N-SN



Bronze Compression Connectors



Ordering Information

CATALOG NUMBER	CABLE SIZE	DIMENSIONS IN INCHES					
		A	B	C	L	T	X
LCAE10-4N	1/0 STR	3	1 9/16	3	5 1/4	3/16	5/8
LCAE13-4N	2/0 STR	3	1 9/16	3	5 1/4	1/4	5/8
LCAE17-4N	3/0 STR	3	1 9/16	3	5 3/8	1/4	5/8
LCAE21-4N	4/0 STR	3	1 9/16	3	5 3/8	1/4	5/8
LCAE25-4N	250 MCM	3	1 3/4	3	5 3/8	5/16	5/8
LCAE30-4N	300 MCM	3	1 3/4	3	5 3/4	5/16	5/8
LCAE30-4N4	300 MCM	4	1 3/4	4	6 3/4	5/16	1 1/8

DOSSERT®

INSTALLATION TOOL REFERENCES

The following tool references list a number of existing tools which can be used to install all connectors listed in catalog whose tabular listing is foot-noted to refer to pages 246 and 247. For any given cable size, irrespective of connector type, the proper tool and dies (if required) can be quickly selected.

AMP TOOLS

TOOL AND DIE NUMBERS

(Bold Type Indicates Tool and Light Type Indicates Dies)

Between Vertical Lines Can Be Found The Desired Tool and Accompanying Die (or Dies) Where Required.

CABLE SIZE	TOOL AND DIE NUMBERS											
6 STR.	69010	38923	69015	48172	69012	37207	69020	48127	48128	69025	48127	48128
4 Str.	69015	48173	69020	48127	48129	69025	48127	48129	–	–	–	–
2 Str.	69015	48174	69020	48127	48130	69025	48127	48130	–	–	–	–
1 & 1/0 Str.	69015	48183	69020	48131	48132	69025	48131	48132	–	–	–	–
2/0 Str.	69020	48131	48133	69025	48131	48133	–	–	–	–	–	–
3/0 Str.	69020	48131	48134	69025	48131	48134	–	–	–	–	–	–
4/0 Str.	69020	48131	300430	69025	48131	48135	–	–	–	–	–	–

BURNDY TOOLS

TOOL AND DIE NUMBERS

(Bold Type Indicates Tool and Light Type Indicates Dies)

Between Vertical Lines Can Be Found The Desired Tool and Accompanying Die (or Dies) Where Required.

CABLE SIZE	TOOL AND DIE NUMBERS																	
6 STR.	MY29;	Y34A	A6CD	Y34PR	Y34B	B6CD	Y34PR	–	–	–	–	–	–	–	–	–	–	
4 Str.	MY29;	Y34A	A4CD	Y34PR	Y34B	B4CD	Y34PR	–	–	–	–	–	–	–	–	–	–	
3 Str.	MY29;	Y34A	A3CD	Y34PR	Y34B	B3CD	Y34PR	–	–	–	–	–	–	–	–	–	–	
2 Str.	MY29;	Y34A	A2CD	Y34PR	Y34B	B2CD	Y34PR	–	–	–	–	–	–	–	–	–	–	
1 Str.	MY29;	Y34A	A1CD	Y34PR	Y34B	B1CD	Y34PR	–	–	–	–	–	–	–	–	–	–	
1/0 Str.	MY29;	Y34A	A25D	Y34PR	Y34B	B25D	Y34PR	Y44B	E25D	Y44PR	–	–	–	–	–	–	–	
2/0 Str.	MY29;	Y34A	A26D	Y34PR	Y34B	B26D	Y34PR	Y44B	E26D	Y44PR	–	–	–	–	–	–	–	
3/0 Str.	MY29;	Y34A	A27D	Y34PR	Y34B	B27D	Y34PR	Y44B	E27D	Y44PR	–	–	–	–	–	–	–	
4/0 Str.	MY29T;	MY29-3;	Y34A	A28D	Y34PR	Y34B	B28D	Y34PR	Y44B	E28D	Y44PR	Y48B	C28D	Y48PR	Y486RB	F28D	Y48PR	
250 MCM	MY29;	MY29-3;	Y34A	A29D	Y34PR	Y34B	B29D	Y34PR	Y44B	E29D	Y44PR	Y48B	C29D	Y48PR	Y486RB	F29D	Y48PR	
300 MCM	Y34A	A30D	Y34PR	Y34B	B30D	Y34PR	Y44B	E30D	Y44PR	Y48B	C30D	Y48PR	Y486RB	F30D	Y48PR	–	–	
350MCM	Y34A	A31D	Y34PR	Y34B	B31D	Y34PR	Y44B	E31D	Y44PR	Y48B	C31D	Y48PR	Y486RB	F31D	Y48PR	–	–	
400 MCM	Y34A	A32D	Y34PR	Y34B	B32D	Y34PR	Y44B	E32D	Y44PR	Y48B	C32D	Y48PR	Y486RB	F32D	Y48PR	–	–	
450 MCM	Y34A	A33D	Y34PR	Y34B	B33D	Y34PR	Y44B	E33D	Y44PR	Y48B	C33D	Y48PR	Y486RB	F33D	Y48PR	–	–	
500 MCM	Y34A	A34D	Y34PR	Y34B	–	Y48PR	Y44B	E34D	Y44PR	Y48B	C34D	Y48PR	Y486RB	F34D	Y48PR	–	–	
550 MCM	Y44B	E35D	Y44PR	Y48B	C35D	Y48PR	Y486RB	F35D	Y48PR	–	–	–	–	–	–	–	–	
600 MCM	Y44B	E36D	Y44PR	Y48B	C36D	Y48PR	Y486RB	F36D	Y48PR	–	–	–	–	–	–	–	–	
650 MCM	Y44B	E37D	Y44PR	Y48B	C37D	Y48PR	Y486RB	F37D	Y48PR	–	–	–	–	–	–	–	–	
700 MCM	Y44B	E38D	Y44PR	Y48B	C38D	Y48PR	–	–	–	–	–	–	–	–	–	–	–	
750 MCM	Y44B	E39D	Y44PR	Y48B	C39D	Y48PR	Y486RB	F39D	Y48PR	–	–	–	–	–	–	–	–	
800 MCM	Y44B	E40D	Y44PR	Y48B	C40D	Y48PR	Y486RB	F40D	Y48PR	–	–	–	–	–	–	–	–	
850 MCM	Y44B	E41D	Y44PR	Y48B	C41D	Y48PR	Y486RB	F41D	Y48PR	–	–	–	–	–	–	–	–	
1000 MCM	Y44B	–	Y44PR	Y48B	C44D	Y48PR	Y486RB	F44D	Y48PR	–	–	–	–	–	–	–	–	
1250 MCM	Y48B	C45D	Y48PR	Y486RB	F45D	Y48PR	–	–	–	–	–	–	–	–	–	–	–	
1300 MCM	Y48B	C453D	Y48PR	Y486RB	F453D	Y48PR	–	–	–	–	–	–	–	–	–	–	–	
1500 MCM	Y48B	C46D	Y48PR	Y486RB	F46D	Y48PR	–	–	–	–	–	–	–	–	–	–	–	
1750 MCM	Y48B	C47D	Y48PR	Y486RB	F47D	Y48PR	–	–	–	–	–	–	–	–	–	–	–	
2000 MCM	Y48B	C48D	Y48PR	Y486RB	F48D	Y48PR	–	–	–	–	–	–	–	–	–	–	–	



DOSSERT®

INSTALLATION TOOL REFERENCES

T & B TOOLS

TOOL AND DIE NUMBERS

(Bold Type Indicates Tool and Light Type Indicates Dies)

Between Vertical Lines Can Be Found The Desired Tool and Accompanying Die (or Dies) Where Required.

CABLE SIZE					
6 STR.	WT115	WT149	21072	21073	11031
4 Str.	WT115	WT149	21072	21073	11031
2 Str.	WT127G2	21073	11031	11015,	21019
1 Str.	WT127G	21073	11031	11015,	21019
1/0 Str.	WT127H	21073	11031	11015,	21019
2/0 Str.	WT127J	21073	11031	11015,	21019
3/0 Str.	WT127K	21073	11031	11015,	21019
4/0 Str.	WT127L	21073	11031	11015,	21019
250 MCM	WT127M	21073	11031	11015,	21019



Bronze Compression Connectors

DOSSERT®

Bronze Compression Connectors