

Table of Contents

Bronze

Bronze Connectors Table of Contents	21
Pictorial Index	23

Bronze Bus Supports

Type AD	31
Type CAP	33
Type CBP	34
Type CS	35
Type CVSP	36
Type HSSB, HSSC	37
Type PA, PAP	38
Type PB, PBP	39
Type PL	40
Type PLC	41
Type PSC	42
Type PSD, PSD-U	43
Type PSRE	44
Type PSS, PSS-CH	45
Type PSSR, PSSR-CH	46
Type PSV	47
Type SBC	48
Type SBS	49
Type SAH, SAHD, SHH, SHHD	50
Type SAV, SAVD, SHVD	51
Type SAVS, SHVS	52
Type SSHH, SSHHD	53
Type XBC	54

Bronze Couplers

Type CCV-S	55
Type CP	56
Type HC, HC-A	57
Type RP	58
Type RPCV-S	60
Type UK, UKT	61
Type UKR	62
Type UP2K, UP4K	63
Type UPK	65

Bronze Braided or Laminated Expansion

Type CF-N (NEMA Pad Sizes)	66
Type CF	69
Type CFC	71
Type LX	72
Type XC, XCP, XBP	73
Type XL	75
Type XTP	76
Type XTS	78
Type XTSS, XTSS-N	80

Bronze Elbows Tee & Vee Connectors

Type BCV-S	81
Type BP, BPA-75, BPA-80	82
Type BPCV-S, BP2CV-S	84
Type BPE	86
Type EP	88
Type PSK, PSKS	89
Type PX	90
Type U2T, UUTT	91
Type UP2T	93
Type UPT	95
Type UT, UUT	97
Type UTS	99
Type VB	100
Type VBPS	101

Bronze Parallel, Cross, and Bar Taps

Type DGF, DGG	102
Type DGM, DGN	103
Type DSU, DSUS	104
Type DSUN	105
Type ES, ESS, ESSN	106
Type GPEX	107
Type GTV	108
Type GTX	110
Type PC	111
Type Q2L, Q2L-E	114
Type QL, QL-E	115
Type TL, TL-E, T2L, T2L-E	116
Type TRV	117
Type UD	118

Table of Contents

Bronze Parallel, Cross, and Bar Taps

Type UDV	119
Type UM	120
Type UP, UP-3	121
Type WC	122

Bronze Connectors for Flat Bar

Type BS	123
Type DH, DA	124
Type HAF, H2AF, H3AF, H4AF	125
Type HHF, H2HF, H3HF, H4HF	127
Type HSS	129

Bronze Grounding Connectors and Everdur Hardware

Type EB	130
Type EN, EW, ELW, EILW	131
Type G110, G111, G114, G115	132
Type GA, GAA	133
Type GAM	134
Type GB, GBB	135
Type GCF, GCG	136
Type GD	137
Type GF, GFM	138
Type GG	139
Type GH	140
Type GK	141
Type GL	143
Type GPC	144
Type GPF	146
Type GPH-N	147
Type GPH	148
Type GR	149
Type GS	150
Type GW	151
Type GX	153
Type GZ	154
Type MTRC, MTR2C, MTR3C	156
Type Q2TE, Q3TE, Q4TE	157
Type Q2TS, Q3TS, Q4TS	159
Type TGC	161

Bronze Stud Connectors

Type HSC, HS2C, HS3C	162
Type HSC, HSC-90	164
Type NP, NF	165
Type SCX, S2CX	166
Type SP, SP-90	168
Type SX-A, SX-A-90	169
Type SX, SX-90, SXP	170
Type US, U2S, US-90, U2S-90	172

Bronze Spacers

Type CASV	174
---------------------	-----

Bronze Dead End Clamps

Type UD2E, UD2E-PG	175
------------------------------	-----

Bronze End Caps

Type CI, CI-E, CX	176
-----------------------------	-----

Bronze Terminals, Taps

Type CFT	177
Type CFTV-S	178
Type D	179
Type D2	180
Type HHL, HHL-A	181
Type HL, HLA-45, HLA-90	183
Type HL, H2L, H3L, H4L	185
Type HLB, H2LB	187
Type HLS, HLSC	189
Type PFTS	190
Type Q2LB	192
Type QLB, QLLB	193
Type SCB-90H, SCB-90V	195
Type SCB-F	196
Type T2CVH, T2CVHA-45, T2CVHA-90	200
Type TCVH, TCVHA-30, TCVHA-45, TCVHA-90	202
Type TCX	204
Type TP, TPA-30, TPA-45, TPA-60, TPA-90	205
Type TPC	207
Type UL-90H	208
Type UL-90V	209
Type UL, U2L	210
Type ULB, U2LB	212
Type ULI, UULI	214

Bronze Bus Supports	
	AD SERIES
	PG. 31
	CAP SERIES
	PG. 33
	CBP SERIES
	PG. 34
	CS SERIES
	PG. 35
	CVSP SERIES
	PG. 36
	HSSB SERIES
	PG. 37
	PA SERIES
	PG. 38
	PB SERIES
	PG. 39
	PL SERIES
	PG. 40

	PLC SERIES
	PG. 41
	PSC SERIES
	PG. 42
	PSD SERIES
	PG. 43
	PSD-U SERIES
	PG. 43
	PSRE SERIES
	PG. 44
	PSS SERIES
	PG. 45
	PSSR SERIES
	PG. 46
	PSV SERIES
	PG. 47
	SBC SERIES
	PG. 48

	SBS SERIES
	PG. 49
	SAH SERIES
	PG. 50
	SHH SERIES
	PG. 50
	SAV SERIES
	PG. 51
	SHV SERIES
	PG. 51
	SAVS SERIES
	PG. 52
	SHVS SERIES
	PG. 52
	SSHH SERIES
	PG. 53
	XBC SERIES
	PG. 54









Bronze Couplers	
	CCV-S SERIES
	PG. 55
	CP SERIES
	PG. 56
	HC SERIES
	PG. 57
	RP SERIES
	PG. 58
	RPCV-S SERIES
	PG. 60
	UK SERIES
	PG. 61
	UKR SERIES
	PG. 62
	UP2K SERIES
	PG. 63
	UPK SERIES
	PG. 65

Bronze Braided or Laminated Expansion	
	CF-N SERIES
	PG. 66
	CF SERIES
	PG. 69
	CFC SERIES
	PG. 71
	LX SERIES
	PG. 72
	XC SERIES
	PG. 73
	XL SERIES
	PG. 75
	XTP SERIES
	PG. 76
	XTS SERIES
	PG. 78
	XTSS SERIES
	PG. 80

Bronze Elbows, Tee and Vee Connectors	
	BCV-S SERIES
	PG. 81
	BP SERIES
	PG. 82
	BPCV-S SERIES
	PG. 84
	BPE SERIES
	PG. 86
	EP SERIES
	PG. 88
	PSK SERIES
	PG. 89
	PX SERIES
	PG. 90
	U2T SERIES
	PG. 91
	UP2T SERIES
	PG. 93
	UPT SERIES
	PG. 95

	UT SERIES
	PG. 97
	UTS SERIES
	PG. 99
	VB SERIES
	PG. 100
	VBPS SERIES
	PG. 101
Bronze Parallel, Cross, and Bar Taps	
	DGF SERIES
	PG. 102
	DGM SERIES
	PG. 103
	DSU SERIES
	PG. 104
	DSUN SERIES
	PG. 105
	ES SERIES
	PG. 106

	GPEX SERIES
	PG. 107
	GTV SERIES
	PG. 108
	GTX SERIES
	PG. 110
	PC SERIES
	PG. 111
	Q2L SERIES
	PG. 114
	QL SERIES
	PG. 115
	TL SERIES
	PG. 116
	TRV SERIES
	PG. 117
	UD SERIES
	PG. 118
	UDV SERIES
	PG. 119

	UM SERIES
	PG. 120
	UP SERIES
	PG. 121
	WC SERIES
	PG. 122
Bronze Connectors for Flat Bar	
	BS SERIES
	PG. 123
	DH SERIES
	PG. 124
	HAF SERIES
	PG. 125
	HHF SERIES
	PG. 127
	HSS SERIES
	PG. 129

Bronze Grounding Connectors And Everdur Hardware	
	EB SERIES
	PG. 130
	EN SERIES
	PG. 131
	ELW SERIES
	PG. 131
	EILW SERIES
	PG. 131
	EW SERIES
	PG. 131
	G110 SERIES
	PG. 132
	G111 SERIES
	PG. 132
	G114 SERIES
	PG. 132
	G115 SERIES
	PG. 132

	GA SERIES
	PG. 133
	GAM SERIES
	PG. 134
	GB SERIES
	PG. 135
	GBB SERIES
	PG. 135
	GCF SERIES
	PG. 136
	GCG SERIES
	PG. 136
	GD SERIES
	PG. 137
	GF SERIES
	PG. 138
	GFM SERIES
	PG. 138
	GG SERIES
	PG. 139

	GH SERIES
	PG. 140
	GK SERIES
	PG. 141
	GL SERIES
	PG. 143
	GPC SERIES
	PG. 144
	GPF SERIES
	PG. 146
	GPH-N SERIES
	PG. 147
	GPH SERIES
	PG. 148
	GR SERIES
	PG. 149
	GS SERIES
	PG. 150
	GW SERIES
	PG. 151

	GX SERIES
	PG. 153
	GZ SERIES
	PG. 154
	MTRC SERIES
	PG. 156
	MTR2C SERIES
	PG. 156
	MTR3C SERIES
	PG. 156
	Q2TE SERIES
	PG. 157
	Q3TE SERIES
	PG. 157
	Q4TE SERIES
	PG. 157
	Q2TS SERIES
	PG. 159
	Q3TS SERIES
	PG. 159

	Q4TS SERIES
	PG. 159
	TGC SERIES
	PG. 161
Bronze Stud Connectors	
	HSC SERIES
	PG. 162
	HS2C SERIES
	PG. 162
	HS3C SERIES
	PG. 162
	HSC-90 SERIES
	PG. 164
	NP SERIES
	PG. 165
	NF SERIES
	PG. 165
	SCX SERIES
	PG. 166

	S2CX SERIES
	PG. 166
	SP SERIES
	PG. 168
	SP-90 SERIES
	PG. 168
	SX-A SERIES
	PG. 169
	SX-A-90 SERIES
	PG. 169
	SX SERIES
	PG. 170
	SXP SERIES
	PG. 170
	SX-90 SERIES
	PG. 170
	US SERIES
	PG. 172
	U2S SERIES
	PG. 172

	US-90 SERIES
	PG. 172
	U2S-90 SERIES
	PG. 172
Bronze Spacers	
	CASV SERIES
	PG. 174
Bronze Dead End Clamps	
	UD2E SERIES
	PG. 175
	UD2E-PG SERIES
	PG. 175
Bronze End Caps	
	CI SERIES
	PG. 176
	CX SERIES
	PG. 176

Bronze Terminals, Taps	
	CFT SERIES
	PG. 177
	CFTV-S SERIES
	PG. 178
	D SERIES
	PG. 179
	D2 SERIES
	PG. 180
	HHL SERIES
	PG. 181
	HL SERIES
	PG. 183
	HLA-45 SERIES
	PG. 183
	HLA-90 SERIES
	PG. 183
	H2L SERIES
	PG. 185

	H3L SERIES
	PG. 185
	H4L SERIES
	PG. 185
	HLB SERIES
	PG. 187
	H2LB SERIES
	PG. 187
	HLS SERIES
	PG. 189
	HLSC SERIES
	PG. 189
	PFTS SERIES
	PG. 190
	Q2LB SERIES
	PG. 192
	QLB SERIES
	PG. 193
	QLLB SERIES
	PG. 193

	SCB-90H SERIES
	PG. 195
	SCB-90V SERIES
	PG. 195
	SCB-F SERIES
	PG. 196
	T2CVH SERIES
	PG. 200
	T2CVHA-45 SERIES
	PG. 200
	T2CVHA-90 SERIES
	PG. 200
	TCVH SERIES
	PG. 202
	TCVHA-30 SERIES
	PG. 202
	TCVHA-45 SERIES
	PG. 202
	TCVHA-90 SERIES
	PG. 202

	TCX SERIES
	PG. 204
	TP SERIES
	PG. 205
	TPA-30 SERIES
	PG. 205
	TPA-45 SERIES
	PG. 205
	TPA-60 SERIES
	PG. 205
	TPA-90 SERIES
	PG. 205
	TPC SERIES
	PG. 207
	UL-90H SERIES
	PG. 208
	UL-90V SERIES
	PG. 209
	UL SERIES
	PG. 210

	U2L SERIES
	PG. 210
	ULB SERIES
	PG. 212
	U2LB SERIES
	PG. 212
	ULI SERIES
	PG. 214
	UULI SERIES
	PG. 214



Bronze Connectors

Bronze Connectors

DOSSERT[®] TYPE AD

A high strength cast bronze insulator adapter for adjusting bus center line heights from insulators. Adapters for heights and bolt circle mountings other than those listed can be readily supplied.

Material

Copper Alloy

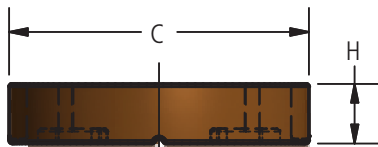
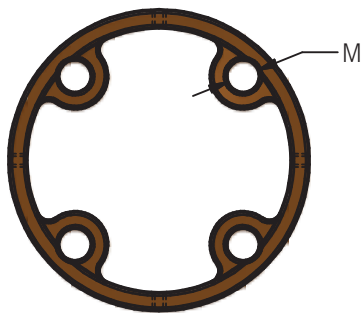


FIG. 1

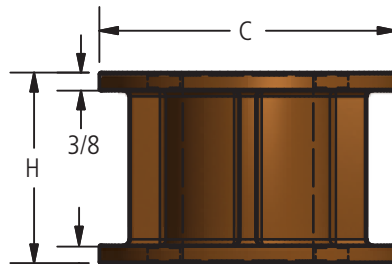
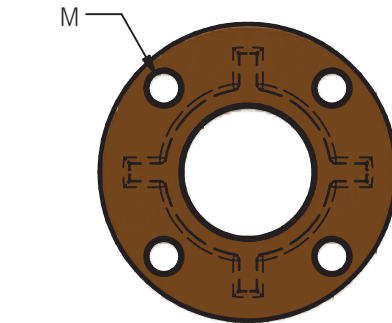


FIG. 2

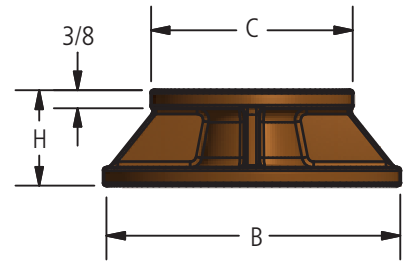
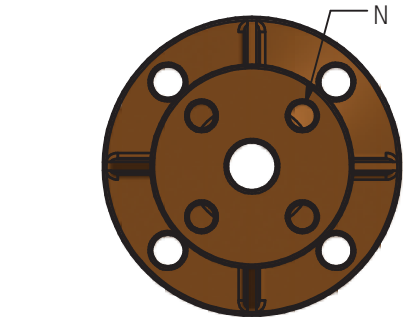
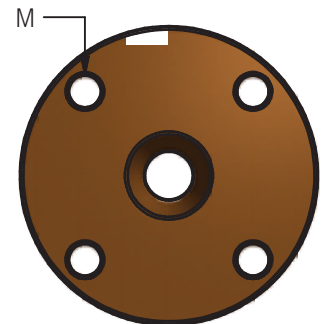


FIG. 3



DOSSERT®

TYPE AD

Ordering Information

CATALOG NUMBER	FIGURE NUMBER	BOLT CIRCLE (B)	BOLT CIRCLE (C)	DIMENSIONS IN INCHES				
				B	C	H	M	N
AD3-1/2-3	1	-	3	-	4 1/4	1/2	9/16	-
AD3-3/4-3	1	-	3	-	4 1/4	3/4	9/16	-
AD3-1-3	1	-	3	-	4 1/4	1	9/16	-
AD3-1-1/4-3	1	-	3	-	4 1/4	1 1/4	9/16	-
AD3-1-1/2-3	1	-	3	-	4 1/4	1 1/2	9/16	-
AD3-1-3/4-3	1	-	3	-	4 1/4	1 3/4	9/16	-
AD5-1/2-5	1	-	5	-	6 1/4	1/2	11/16	-
AD5-3/4-5	1	-	5	-	6 1/4	3/4	11/16	-
AD5-1-5	1	-	5	-	6 1/4	1	11/16	-
AD5-1-1/4-5	1	-	5	-	6 1/4	1 1/4	11/16	-
AD5-1-1/2-5	1	-	5	-	6 1/4	1 1/2	11/16	-
AD5-1-3/4-5	1	-	5	-	6 1/4	1 3/4	11/16	-
AD3-2-3	2	-	3	-	4 1/4	2	9/16	-
AD3-2-1/2-3	2	-	3	-	4 1/4	2 1/2	9/16	-
AD3-3-3	2	-	3	-	4 1/4	3	9/16	-
AD3-3-1/2-3	2	-	3	-	4 1/4	3 1/2	9/16	-
AD3-4-3	2	-	3	-	4 1/4	4	9/16	-
AD3-5-3	2	-	3	-	4 1/4	5	9/16	-
AD3-6-3	2	-	3	-	4 1/4	6	9/16	-
AD3-2-5	3	3	5	6 1/4	4 1/4	2	11/16	9/16
AD3-2-1/2-5	3	3	5	6 1/4	4 1/4	2 1/2	11/16	9/16
AD3-3-5	3	3	5	6 1/4	4 1/4	3	11/16	9/16
AD3-3-1/2-5	3	3	5	6 1/4	4 1/4	3 1/2	11/16	9/16
AD3-4-5	3	3	5	6 1/4	4 1/2	4	11/16	9/16
AD3-5-5	3	3	5	6 1/4	4 1/4	5	11/16	9/16
AD3-6-5	3	3	5	6 1/4	4 1/4	6	11/16	9/16
AD5-2-5	2	-	5	-	6 1/4	2	11/16	-
AD5-2-1/2-5	2	-	5	-	6 1/4	2 1/2	11/16	-
AD5-3-5	2	-	5	-	6 1/4	3	11/16	-
AD5-3-1/2-5	2	-	5	-	6 1/4	3 1/2	11/16	-
AD5-4-5	2	-	5	-	6 1/4	4	11/16	-
AD5-5-5	2	-	5	-	6 1/4	5	11/16	-
AD5-6-5	2	-	5	-	6 1/4	6	11/16	-

DOSSERT®

TYPE CAP

Bus Support for Tubular Bus To Insulator Cap

A two piece high strength bronze cable support which mounts conductor to cap of insulator. Furnished with cap screws for threading into tapped holes on insulator. For base mounting, if specified, bolts and nuts will be furnished. When ordering specify conductor size to be employed so that correct length of bolt can be supplied.

Material

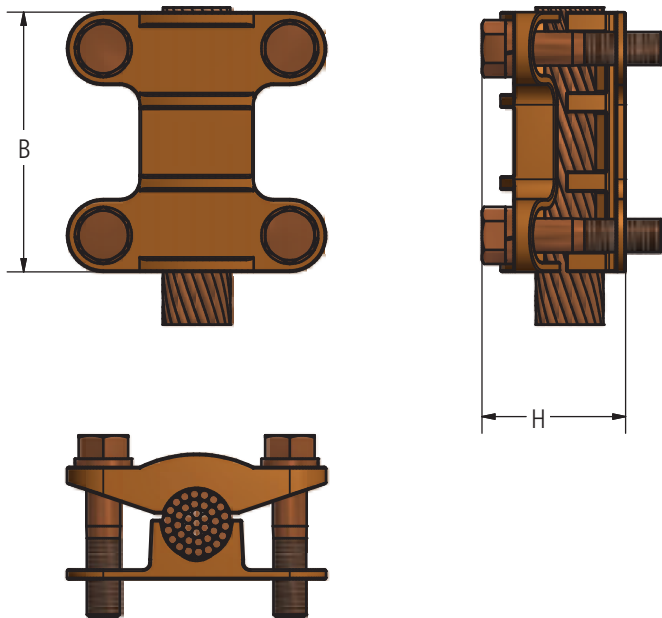
Copper Alloy

Hardware

Everdur bolts and lockwashers

Notes

- For Electro Tin Plate, add "-SN" to catalog number. EX: CAP21-3-SN



Ordering Information

CATALOG NUMBER	CABLE RANGE		BOLT CIRCLE	DIMENSIONS IN INCHES		
	MIN	MAX		B	H	BOLT SIZE
CAP21-3	2 Stranded	4/0 Stranded	3	3 1/4	1 9/16	1/2
CAP21-5	2 Stranded	4/0 Stranded	5	4 15/16	1 13/16	5/8
CAP50-3	2/0 Stranded	500 kcmil	3	3 1/4	1 13/16	1/2
CAP50-5	2/0 Stranded	500 kcmil	5	4 15/16	2 1/16	5/8
CAP125-3	550 kcmil	1250 kcmil	3	3 1/4	2 3/16	1/2
CAP125-5	550 kcmil	1250 kcmil	5	4 15/16	2 3/4	5/8

DOSSERT® TYPE CBP

Two Unit Bus Support For Cable

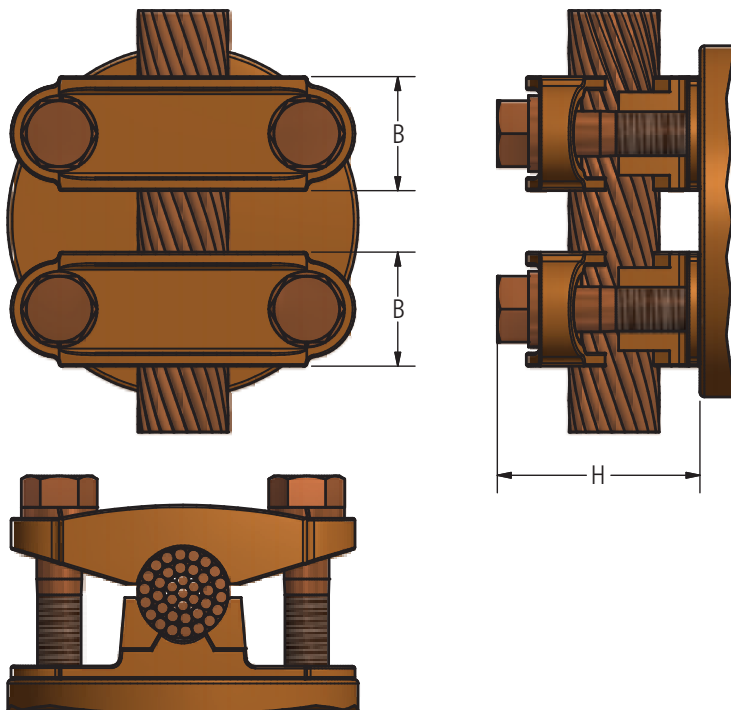
A two unit four piece high strength bronze cable support which mounts conductor to cap of insulator. A single unit for light service can be supplied on request. Clamp is furnished with cap screws for threading into tapped holes of insulator. Specify conductor size when ordering in order that correct length of cap screw or bolt can be supplied.

Material

Copper Alloy

Hardware

Everdur bolts and lockwashers



Ordering Information

CATALOG NUMBER	CABLE RANGE		DIMENSIONS IN INCHES			
	MIN	MAX	BOLT CIRCLE	B	H	BOLT SIZE
CBP21-3	2 Stranded	4/0 Stranded	3	1 1/8	1 9/16	1/2
CBP21-5	2 Stranded	4/0 Stranded	5	1 3/8	1 13/16	5/8
CBP50-3	2/0 Stranded	500 kcmil	3	1 1/8	1 13/16	1/2
CBP50-5	2/0 Stranded	500 kcmil	5	1 3/8	2 1/16	5/8
CBP125-3	550 kcmil	1250 kcmil	3	1 3/8	2 3/16	1/2
CBP125-5	550 kcmil	1250 kcmil	5	1 5/8	2 3/4	5/8

DOSSERT®

TYPE CS Bus Support Clamp For Cable Conductor

A high strength bronze bus support clamp for cable conductor. For securing to insulator, bolts and nuts are furnished for pin and slotted cap mountings, and cap screws for cap mountings. When ordering specify type of mountings to be used and also cable size to determine clamping bolt length.

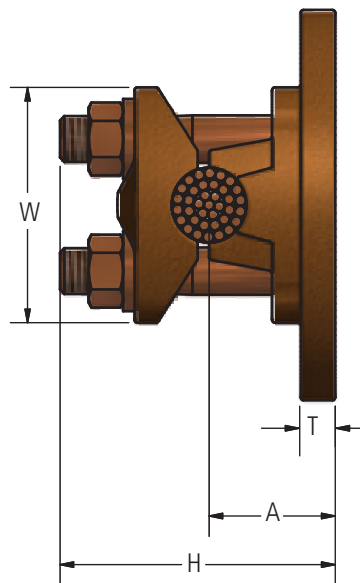
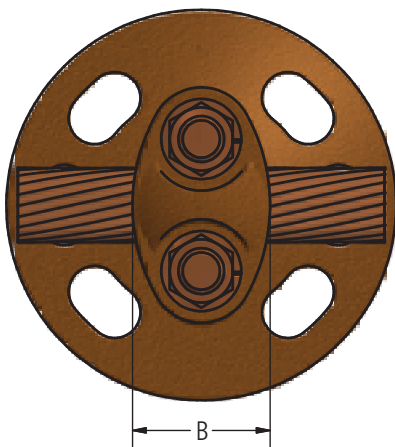
Material

Copper Alloy

Hardware

Everdur bolts, nuts and lockwashers

Mounting hardware galvanized steel



Ordering Information

CATALOG NUMBER	CONDUCTOR RANGE				BOLT CIRCLE	DIMENSIONS IN INCHES					
	CABLE		SPS			A	B	H	W	T	BOLT SIZE
	MIN	MAX	MIN	MAX							
CS21-3	6 Solid	4/0 Stranded	—	—	3	1 1/4	1 1/2	2 9/16	1 15/16	7/32	3/8
CS21-5	6 Solid	4/0 Stranded	—	—	5	1 1/4	1 1/2	2 9/16	1 15/16	7/32	3/8
CS50-3	2/0 Stranded	500 kcmil	1/4	1/2	3	1 3/8	1 1/2	2 5/8	2 3/16	3/8	3/8
CS50-5	2/0 Stranded	500 kcmil	1/4	1/2	5	1 3/8	1 1/2	2 5/8	2 3/16	3/8	3/8
CS125-3	550 kcmil	1250 kcmil	1/2	1	3	1 9/16	1 3/4	3 1/4	3 1/4	3/8	1/2
CS125-5	550 kcmil	1250 kcmil	1/2	1	5	1 9/16	1 3/4	3 1/4	3 1/4	3/8	1/2
CS200-3	1300 kcmil	2000 kcmil	1	1 1/4	3	1 7/8	1 3/4	3 7/16	3 1/2	3/8	1/2
CS200-5	1300 kcmil	2000 kcmil	1	1 1/4	5	1 7/8	1 3/4	3 7/16	3 1/2	3/8	1/2

DOSSERT®

TYPE CVSP Cable Bus Support

Material

Copper Alloy

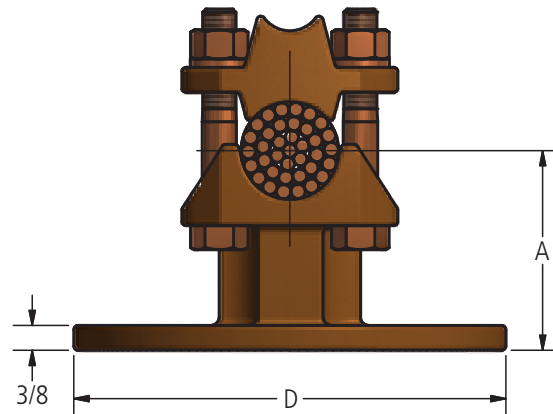
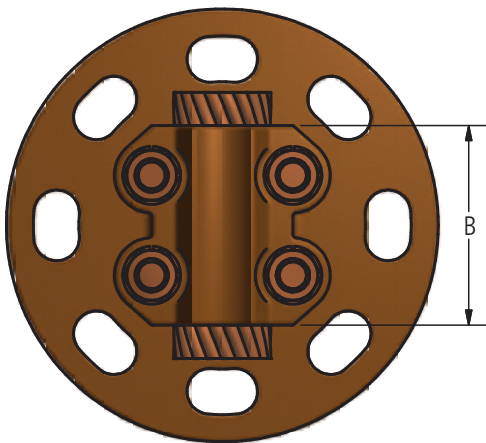
Hardware

Everdur bolts, nuts and lockwashers
Mounting hardware galvanized steel

Note

For less mounting hardware add suffix
'LMH' to catalog number.

Ex: CVSP143A-5-LMH



Ordering Information

CATALOG NUMBER	CABLE RANGE				SPS RANGE		DIMENSIONS IN INCHES			
	SMALL GROOVE		LARGE GROOVE		SMALL GROOVE	LARGE GROOVE	BOLT CIRCLE	A	B	D
	MIN	MAX	MIN	MAX						
CVSP143-3	3/0 STR	700 MCM	715.5 MCM	1431 STR	1/4	1	3	3 1/4	3	4 1/4
CVSP143-5	3/0 STR	700 MCM	715.5 MCM	1431 STR	1/4	1	5	3	3	6 1/4

DOSSERT® TYPE HSSB, HSSC Pedestal Bus Support For Multiple Flat Bar

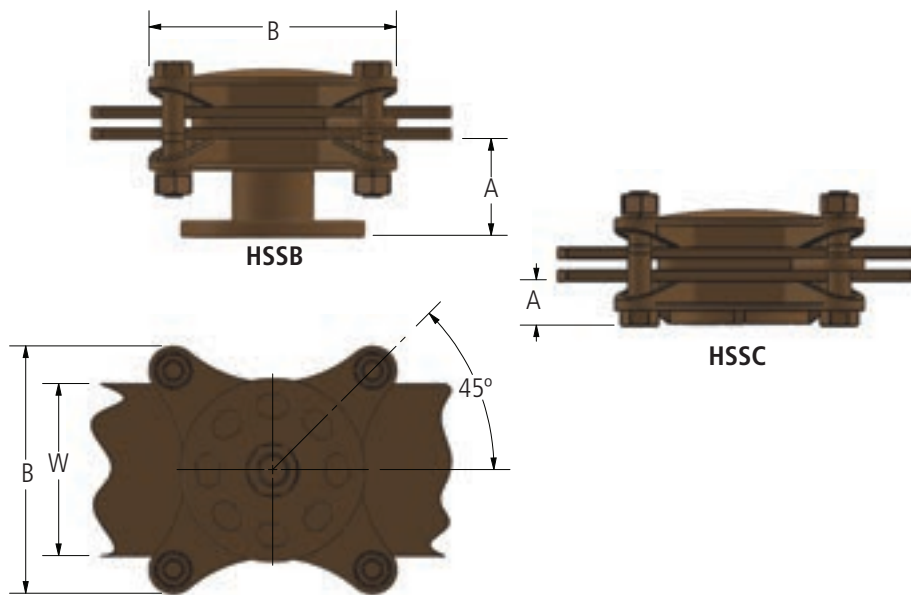
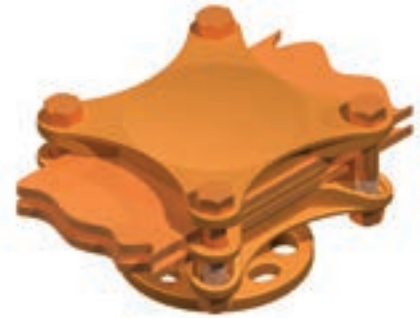
Type HSSB provides for bolt circle mounting on a 3 inch or 5 inch bolt circle. Type HSSC is a center mounting clamp for horizontal supporting of flat bus. Cap screws are furnished for cap mounting and bolts and nuts are furnished for base mounting. Unless otherwise specified clamps are supplied for cap mounting.

Material

Copper Alloy

Hardware

Everdur bolts, nuts and lockwashers
Mounting hardware galvanized steel



Ordering Information

CATALOG NUMBER		BOLT CIRCLE	DIMENSIONS IN INCHES						CENTER BOLT	BOLT SIZE
HSSB	HSSC		A				B	W		
			HSSB	HSSC						
HSSB2-3	HSSC2-3	3	2 1/4	1	3 5/16	2	3/4	3/8		
HSSB2-5	HSSC2-5	5	2	1	3 5/16	2	3/4	3/8		
HSSB3-3	HSSC3-3	3	2 1/4	1	4 5/16	3	3/4	3/8		
HSSB3-5	HSSC3-5	5	2	1	4 5/16	3	3/4	3/8		
HSSB4-3	HSSC4-3	3	2 1/4	1	5 3/4	4	3/4	1/2		
HSSB4-5	HSSC4-5	5	2	1	5 3/4	4	3/4	1/2		
HSSB5-3	HSSC5-3	3	2 1/4	1	7 1/8	5	3/4	5/8		
HSSB5-5	HSSC5-5	5	2	1	7 1/8	5	3/4	5/8		
HSSB6-3	HSSC6-3	3	2 1/4	1	8 1/8	6	3/4	5/8		
HSSB6-5	HSSC6-5	5	2	1	8 1/8	6	3/4	5/8		

DOSSERT® TYPE PA, PAP

Bus Support For Circle Mount Insulators

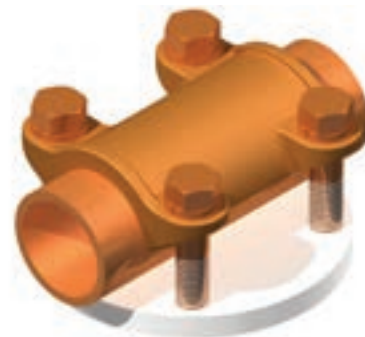
A single cap four bolt bus support for mounting on insulator bolt circle positions. Type PA clamps bus directly to insulator while type PAP is provided with an under saddle conforming to bus diameter for higher clamping pressure. Both types can be furnished with cap screws for cap mounting or bolts and nuts for base mounting. Unless otherwise specified supports are furnished for cap and mounting as illustrated.

Material

Copper Alloy

Hardware

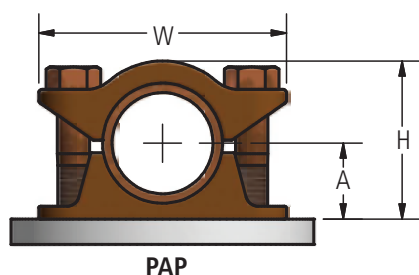
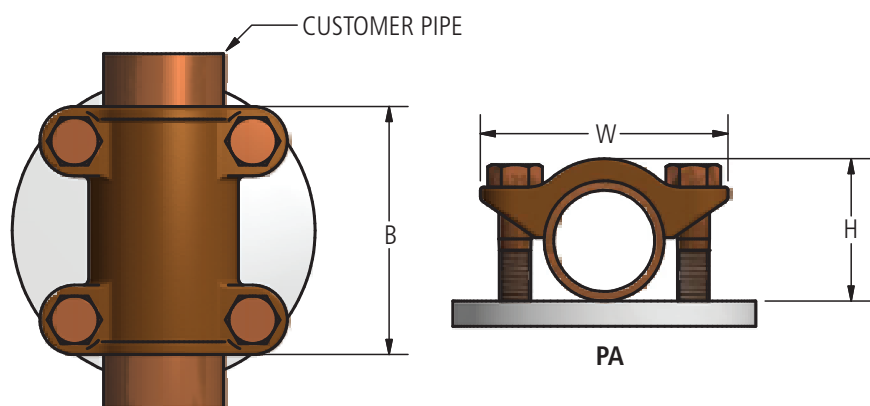
Everdur bolts, lockwashers



PA



PAP



Ordering Information

CATALOG NUMBER		SPS	BOLT CIRCLE	DIMENSIONS IN INCHES				BOLT SIZE	
PA	PAP			A	B	H			W
						PA	PAP		
PA50-3	PAP50-3	1/2	3	3/4	3 1/4	1 3/8	1 11/16	3 1/4	1/2
PA50-5	PAP50-5	1/2	5	3/4	4 15/16	1 1/2	1 13/16	4 15/16	5/8
PA75-3	PAP75-3	3/4	3	7/8	3 1/4	1 9/16	1 15/16	3 1/4	1/2
PA75-5	PAP75-5	3/4	5	7/8	4 15/16	1 11/16	2 1/16	4 15/16	5/8
PA100-3	PAP100-3	1	3	1	3 1/4	1 3/4	2 1/8	3 1/4	1/2
PA100-5	PAP100-5	1	5	1	4 15/16	2	2 5/16	4 15/16	5/8
PA125-3	PAP125-3	1 1/4	3	1 1/8	3 1/4	2 1/8	2 7/15	3 1/4	1/2
PA125-5	PAP125-5	1 1/4	5	1 1/8	4 15/16	2 3/8	2 11/16	4 15/16	5/8
PA150-5	PAP150-5	1 1/2	5	1 1/4	4 15/16	2 7/16	2 3/4	4 15/16	5/8
PA200-5	PAP200-5	2	5	1 1/2	4 15/16	2 3/4	3 1/16	4 15/16	5/8
PA250-5	PAP250-5	2 1/2	5	1 3/4	4 15/16	3 5/16	3 5/8	4 15/16	5/8

DOSSERT® TYPE PB, PBP Bus Support With Two Unit Cap

A two unit cap clamping bus support for mounting on insulator bolt circle positions. Type PB clamps bus directly to insulator while type PBP is provided with two independent matching bus saddles. Available for either cap or base mounting. Unless otherwise specified supports are furnished for cap mounting as illustrated.

Material

Copper Alloy

Hardware

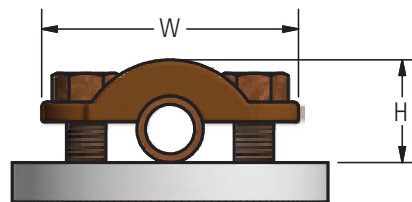
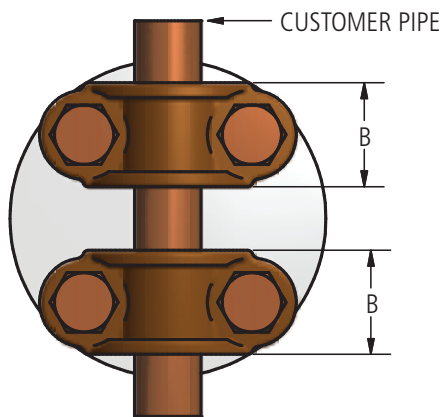
Everdur bolts, lockwashers



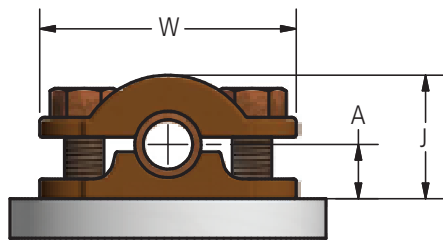
PB



PBP



PB



PBP

Ordering Information

CATALOG NUMBER		SPS	BOLT CIRCLE	DIMENSIONS IN INCHES					BOLT SIZE
				A	B	H	J	W	
PB50-3	PBP50-3	1/2	3	3/4	1 5/16	1 3/8	1 11/16	3 1/4	1/2
PB50-5	PBP50-5	1/2	5	3/4	1 3/8	1 1/2	1 13/16	4 15/16	5/8
PB75-3	PBP75-3	3/4	3	7/8	1 5/16	1 9/16	1 15/16	3 1/4	1/2
PB75-5	PBP75-5	3/4	5	7/8	1 3/8	1 11/16	2 1/16	4 15/16	5/8
PB100-3	PBP100-3	1	3	1	1 1/2	1 3/4	2 1/8	3 1/4	1/2
PB100-5	PBP100-5	1	5	1	1 5/8	2	2 5/16	4 15/16	5/8
PB125-3	PBP125-3	1 1/4	3	1 1/8	1 1/2	2 1/8	2 7/16	3 1/4	1/2
PB125-5	PBP125-5	1 1/4	5	1 1/8	1 5/8	2 3/8	2 11/16	4 15/16	5/8
PB150-5	PBP150-5	1 1/2	5	1 1/4	1 3/4	2 7/16	2 3/4	4 15/16	5/8
PB200-5	PBP200-5	2	5	1 1/2	1 3/4	2 3/4	3 1/16	4 15/16	5/8
PB250-5	PBP250-5	2 1/2	5	1 3/4	1 7/8	3 5/16	3 5/8	4 15/16	5/8

DOSSERT®

TYPE PL

Pipe Bus Support Slide or Tight Fit

A two bolted clamp type high strength bronze bus support. This unit is non-magnetic and corrosion resistant. The design of this support permits a minimum radius of gyration about the support mounting thus minimizing cantilever stresses. Type PL is both a tight and slip fit action clamp with either action obtained by reversing cap.

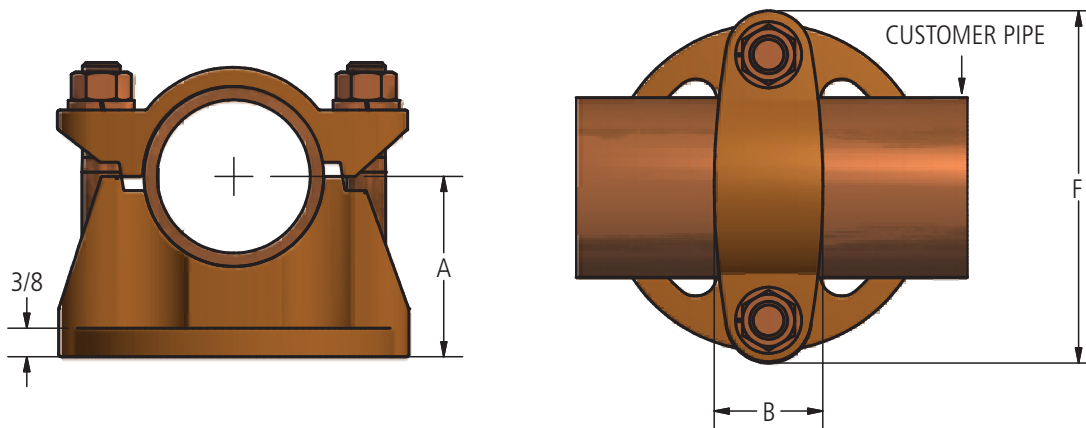
Material

Copper Alloy

Hardware

Everdur bolts, nuts and lockwashers

Mounting hardware galvanized steel



Ordering Information

CATALOG NUMBER	SPS	BOLT CIRCLE	DIMENSIONS IN INCHES			BOLT SIZE
			A	B	F	
PL75-3	3/4	3	1 3/8	1 1/2	4 1/4	1/2
PL75-5	3/4	5	1	1 1/2	6 1/4	1/2
PL100-3	1	3	1 5/8	1 1/2	4 1/4	1/2
PL100-5	1	5	1 1/8	1 1/2	6 1/4	1/2
PL125-3	1 1/4	3	1 3/4	1 11/16	4 1/4	1/2
PL125-5	1 1/4	5	1 3/8	1 11/16	6 1/4	1/2
PL150-3	1 1/2	3	2	1 11/16	4 1/4	1/2
PL150-5	1 1/2	5	1 1/2	1 11/16	6 1/4	1/2
PL200-3	2	3	2 3/8	1 11/16	4 1/4	1/2
PL200-5	2	5	2 1/4	1 11/16	6 1/4	1/2
PL250-3	2 1/2	3	2 5/8	1 3/4	4 1/4	1/2
PL250-5	2 1/2	5	2 1/2	1 3/4	6 1/4	1/2
PL300-3	3	3	2 7/8	1 13/16	5 3/4	5/8
PL300-5	3 1/2	5	3	1 3/4	6 1/4	5/8

DOSSERT®

TYPE PLC

Bus Support For Tubular Bus To Insulator

A bus support for mounting a tubular bus to a 3/4-10 NC 2 center tapped insulator. The center tap mounting permits any angular arrangement for bus positioning while a reversible cap allows for slip fit or tight clamping on bus. Other thread sizes for center mounting can be readily supplied.

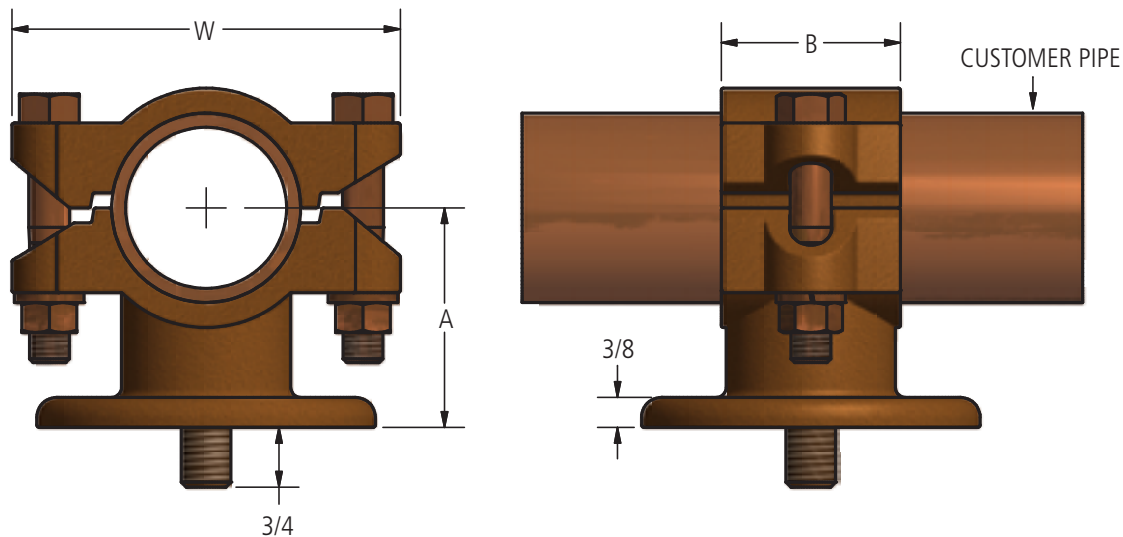
Material

Copper Alloy

Hardware

Everdur bolts, nuts and lockwashers

Mounting hardware galvanized steel



Ordering Information

CATALOG NUMBER	SPS	DIMENSIONS IN INCHES			BOLT SIZE
		A	B	W	
PLC50	1/2	1 3/4	1 3/4	2 3/8	3/8
PLC75	3/4	2	1 1/2	2 9/16	3/8
PLC100	1	2	1 1/2	2 7/8	3/8
PLC125	1 1/4	2 1/4	2	3 1/2	1/2
PLC150	1 1/2	2 1/2	2	3 13/16	1/2
PLC200	2	2 3/4	2 1/4	4 1/4	1/2
PLC250	2 1/2	3 1/8	2 1/4	4 3/4	1/2
PLC300	3	3 5/8	2 1/2	5 7/8	5/8
PLC350	3 1/2	4	2 1/2	6 3/8	5/8
PLC400	4	4 1/2	2 1/2	6 7/8	5/8

DOSSERT® TYPE PSC

Bus Support For Two Tubular Buses

A bus support for joining and supporting two tubular buses on a post type insulator. Designed for a high resistance to impact or sustained cantilever and torsional stresses. Nuts and bolts are furnished for a base mounting or slotted cap mounting or cap screws for an insulator cap mounting.

Material

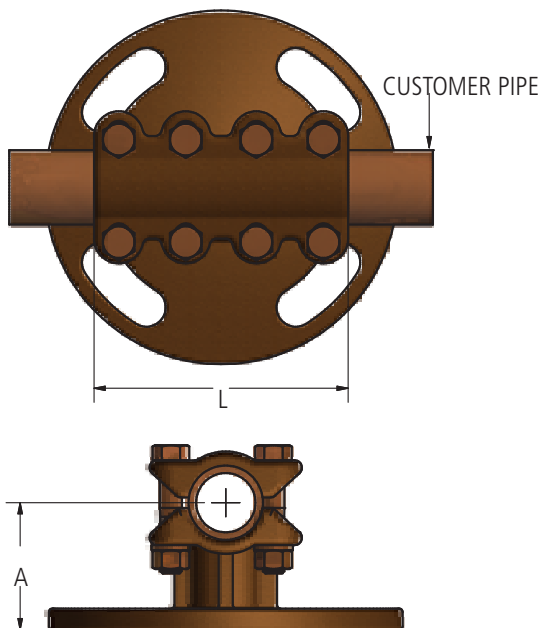
Copper Alloy

Note

For tin plating add "-SN" to end of catalog number.

Hardware

Everdur bolts, nuts and lockwashers
Mounting hardware galvanized steel



Ordering Information

CATALOG NUMBER	SPS	BOLT CIRCLE	DIMENSIONS IN INCHES		
			A	L	BOLT SIZE
PSC75-3	3/4	3	2	3 1/2	3/8
PSC75-5	3/4	5	2 1/4	3 1/2	3/8
PSC100-3	1	3	2	4 1/2	3/8
PSC100-5	1	5	2 1/4	4 1/2	3/8
PSC125-3	1 1/4	3	2 1/4	5 1/2	1/2
PSC125-5	1 1/4	5	2 3/8	5 1/2	1/2
PSC150-3	1 1/2	3	2 1/2	5 3/4	1/2
PSC150-5	1 1/2	5	2 1/2	5 3/4	1/2
PSC200-3	2	3	2 3/4	6	1/2
PSC200-5	2	5	2 3/4	6	1/2
PSC250-3	2 1/2	3	3 1/8	6	1/2
PSC250-5	2 1/2	5	3 1/8	6	1/2
PSC300-5	3	5	3 5/8	7	5/8
PSC350-5	3 1/2	5	4	8	5/8
PSC400-5	4	5	4 1/2	8 3/4	5/8

DOSSERT®

TYPE PSD, PSD-U Bus Support, Pipe, Slide or Tight Fit

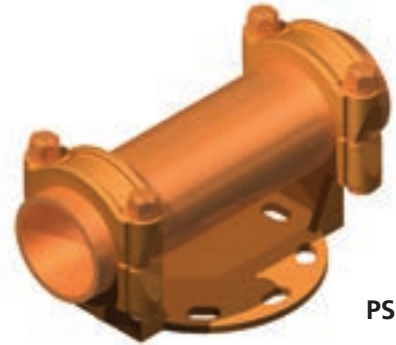
A heavy duty bus support clamp designed with a low bus center point height to reduce cantilever action and withstand high stresses. For PSD series, reversible clamps permit tight or slip fit assembly. For PSD-U series, U-bolt provides tight fit. Entire unit is non-magnetic and corrosion resistant.

Material

Copper Alloy

Hardware

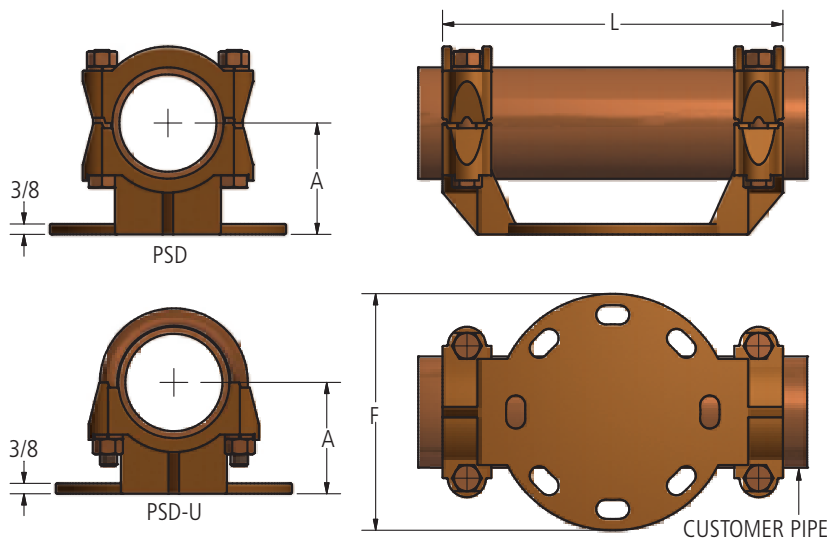
Everdur bolts, nuts and lockwashers
Mounting hardware galvanized steel



PSD



PSD-U



Ordering Information

CATALOG NUMBER	CATALOG NUMBER U-BOLT	SPS	BOLT CIRCLE	DIMENSIONS IN INCHES			BOLT SIZE
				A	F	L	
PSD75-3	PSD75-3-U	3/4	3	2	4 1/4	6 3/4	1/2
PSD75-5	PSD75-5-U	3/4	5	2 1/4	6 1/4	9	1/2
PSD100-3	PSD100-3-U	1	3	2	4 1/4	7	1/2
PSD100-5	PSD100-5-U	1	5	2 1/4	6 1/4	9	1/2
PSD125-3	PSD125-3-U	1 1/4	3	2 1/4	4 1/4	7 1/4	1/2
PSD125-5	PSD125-5-U	1 1/4	5	2 3/8	6 1/4	9 1/2	1/2
PSD150-3	PSD150-3-U	1 1/2	3	2 1/2	4 1/4	7 1/4	1/2
PSD150-5	PSD150-5-U	1 1/2	5	2 1/2	6 1/4	9 1/2	1/2
PSD200-3	PSD200-3-U	2	3	2 3/4	4 1/4	7 1/4	1/2
PSD200-5	PSD200-5-U	2	5	2 3/4	6 1/4	9 1/2	1/2
PSD250-3	PSD250-3-U	2 1/2	3	3 1/8	4 1/4	7 3/4	1/2
PSD250-5	PSD250-5-U	2 1/2	5	3 1/8	6 1/4	10	1/2
PSD300-3	PSD300-3-U	3	3	3 5/8	7 3/4	4 1/4	5/8
PSD300-5	PSD300-5-U	3	5	3 5/8	10	6 1/4	5/8
PSD300-7	PSD300-7-U	3	7	3 5/8	12 1/4	8 1/2	5/8
PSD350-3	PSD350-3-U	3 1/2	3	4	7 3/4	4 1/4	5/8
PSD350-5	PSD350-5-U	3 1/2	5	4	10	6 1/4	5/8
PSD400-3	PSD400-3-U	4	3	4 1/2	7 3/4	4 1/4	5/8
PSD400-5	PSD400-5-U	4	5	4 1/2	10	6 1/4	5/8
PSD400-7	PSD400-7-U	4	7	4 1/2	12 1/4	8 1/2	5/8
PSD500-3	PSD500-3-U	5	3	5	8	4 1/4	5/8
PSD500-5	PSD500-5-U	5	5	5	10	6 1/4	5/8
PSD500-7	PSD500-7-U	5	7	5	12 3/4	8 1/2	5/8
PSD600-3	PSD600-3-U	6	3	5 1/2	8 1/4	4 1/4	5/8
PSD600-5	PSD600-5-U	6	5	5 1/2	10 1/2	6 1/4	5/8
PSD600-7	PSD600-7-U	6	7	5 1/2	12 3/4	8 1/2	5/8
PSD800-7	PSD800-7-U	8	7	6 7/8	12 3/4	8 1/2	5/8

DOSSERT® TYPE PSRE

Low Mounting Variable Bus Support

An inexpensive low mounting variable bus support clamp. The wide range of conductor sizes accommodated by a reversible cap minimizes the number of clamps to cover a given range of bus sizes. Furnished complete with cap screws for cap mounting or with bolts, nuts, and lockwashers for base mounting.

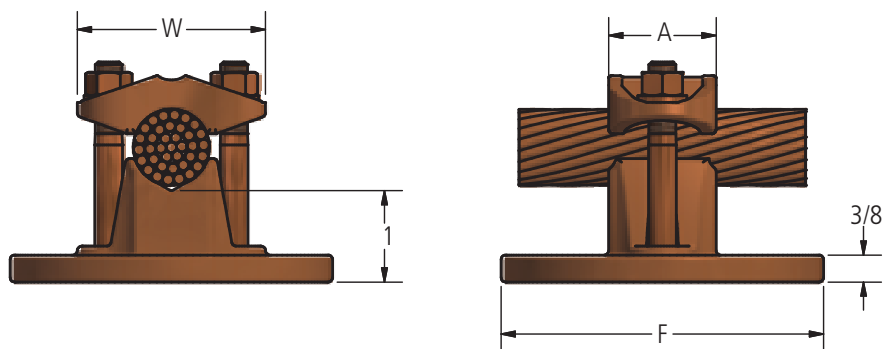
Material

Copper Alloy

Hardware

Everdur bolts, nuts and lockwashers

Mounting hardware galvanized steel



Ordering Information

CATALOG NUMBER	CABLE RANGE		DIMENSIONS IN INCHES				
	MIN	MAX	BOLT CIRCLE	A	F	W	BOLT SIZE
PSRE75-3	1/4	1 1/16	3	1 1/2	4 1/4	2 1/2	3/8
PSRE125-3	13/16	1 11/16	3	1 5/8	4 1/4	3 1/2	1/2
PSRE200-3	1 5/8	2 3/8	3	1 5/8	4 1/4	4 1/4	1/2
PSRE75-5	1/4	1 1/16	5	1 1/2	6 1/4	2 1/2	3/8
PSRE125-5	13/16	1 11/16	5	1 5/8	6 1/4	3 1/2	1/2
PSRE200-5	1 5/8	2 3/8	5	1 5/8	6 1/4	4 1/4	1/2

DOSSERT® TYPE PSS, PSS-CH

Pipe Bus Support Slide or Tight Fit

A high strength copper support for securing a tubular bus to a post or pedestal type insulator. Reversible cap permits rigid or slip fit on conductor. Designed with a high resistance to impact and sustained cantilever and torsion stresses. Entire unit is non-magnetic and corrosion resistant.

Material

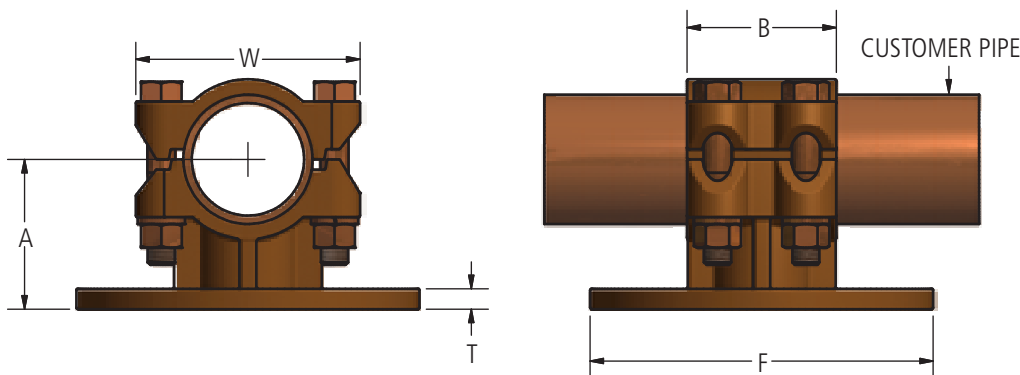
Copper Alloy

Note

For a chatter spring add suffix "CH" to catalog number.

Hardware

Everdur bolts, nuts and lockwashers
Mounting hardware galvanized steel



Ordering Information

CATALOG NUMBER		SPS	BOLT CIRCLE	DIMENSIONS IN INCHES					BOLT SIZE
STANDARD	CHATTER SPRING			A	B	F	T	W	
PSS50-3	PSS50-3-CH	1/2	3	1 3/4	2 1/2	4 1/4	3/8	2 5/8	1/2
PSS50-5	PSS50-5-CH	1/2	5	2 1/8	2 1/2	6 1/4	3/8	2 5/8	1/2
PSS75-3	PSS75-3-CH	3/4	3	2	2 3/4	4 1/4	3/8	2 13/16	1/2
PSS75-5	PSS75-5-CH	3/4	5	2 1/4	2 3/4	6 1/4	3/8	2 13/16	1/2
PSS100-3	PSS100-3-CH	1	3	2	2 3/4	4 1/4	3/8	3 1/16	1/2
PSS100-5	PSS100-5-CH	1	5	2 1/4	2 3/4	6 1/4	3/8	3 1/16	1/2
PSS125-3	PSS125-3-CH	1 1/4	3	2 1/4	3	4 1/4	3/8	3 13/32	1/2
PSS125-5	PSS125-5-CH	1 1/4	5	2 3/8	3	6 1/4	3/8	3 13/32	1/2
PSS150-3	PSS150-3-CH	1 1/2	3	2 1/2	3	4 1/4	3/8	3 21/32	1/2
PSS150-5	PSS150-5-CH	1 1/2	5	2 1/2	3	6 1/4	3/8	3 21/32	1/2
PSS200-3	PSS200-3-CH	2	3	2 3/4	3 1/4	4 1/4	3/8	4 1/8	1/2
PSS200-5	PSS200-5-CH	2	5	2 3/4	3 1/4	6 1/4	3/8	4 1/8	1/2
PSS250-3	PSS250-3-CH	2 1/2	3	3 1/8	3 1/4	4 1/4	3/8	4 5/8	1/2
PSS250-5	PSS250-5-CH	2 1/2	5	3 1/8	3 1/4	6 1/4	3/8	4 5/8	1/2
PSS300-3	PSS300-3-CH	3	3	3 5/8	3 3/4	4 1/4	7/16	4 5/8	5/8
PSS300-5	PSS300-5-CH	3	5	3 5/8	3 3/4	6 1/4	7/16	4 5/8	5/8
PSS350-3	PSS350-3-CH	3 1/2	3	4	3 3/4	4 1/4	7/16	6 1/8	5/8
PSS350-5	PSS350-5-CH	3 1/2	5	4	3 3/4	6 1/4	7/16	6 1/8	5/8
PSS400-3	PSS400-3-CH	4	3	4 1/2	3 3/4	4 1/4	7/16	6 5/8	5/8
PSS400-5	PSS400-5-CH	4	5	4 1/2	3 3/4	6 1/4	7/16	6 5/8	5/8
PSS450-3	PSS450-3-CH	4 1/2	3	4 3/4	3 3/4	4 1/4	7/16	7 1/8	5/8
PSS450-5	PSS450-5-CH	4 1/2	5	4 3/4	3 3/4	6 1/4	7/16	7 1/8	5/8
PSS500-3	PSS500-3-CH	5	3	5	3 3/4	4 1/4	7/16	7 5/8	5/8
PSS500-5	PSS500-5-CH	5	5	5	3.75	6 1/4	7/16	7 5/8	5/8
PSS600-5	PSS600-5-CH	6	5	6	3.75	6 1/4	7/16	7 5/8	5/8

DOSSERT® TYPE PSSR, PSSR-CH

Tubular Bus Support

A high strength bronze support for securing a tubular bus to a post or pedestal type insulator. Fully adjustable to any angle within a complete circle (360°) with the advantage of four bolts maintaining angular setting as well as mounting pressure. Reversible cap permits rigid or slip fit on conductor. Supplied with cap screws for insulator cap mounting or bolts and nuts for base mounting. Unless otherwise specified cap screws are supplied.

Material

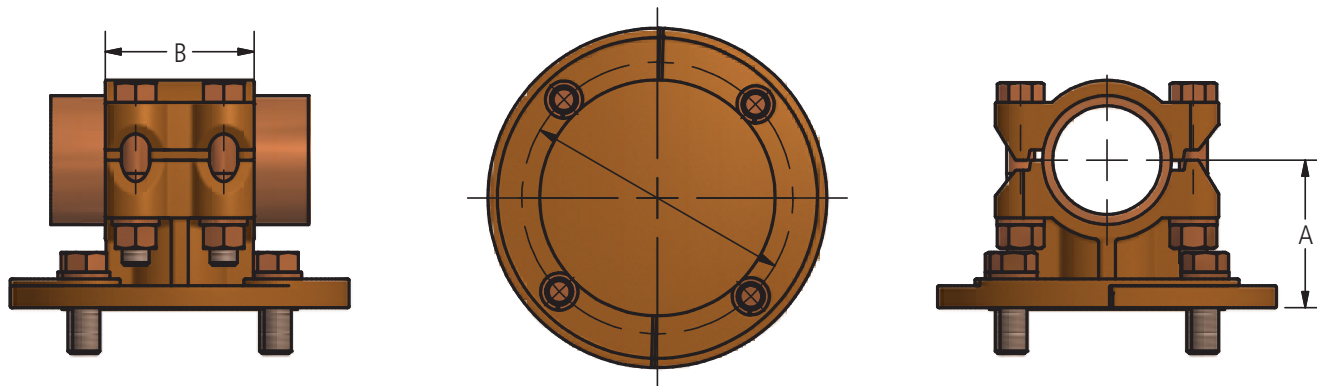
Copper Alloy

Hardware

Everdur bolts, nuts and lockwashers
Mounting hardware galvanized steel

Note

Add suffix "CH" to catalog number for chatter spring. EX: PSSR200-5-CH



Ordering Information

CATALOG NUMBER		SPS	BOLT CIRCLE	DIMENSIONS IN INCHES		BOLT SIZE CAP
STANDARD	CHATTER SPRING			A	B	
PSSR50-3	PSSR50-3-CH	1/2	3	1 3/4	2 1/8	3/8
PSSR50-5	PSSR50-5-CH	1/2	5	2 1/8	2 1/8	3/8
PSSR75-3	PSSR75-3-CH	3/4	3	2	2 1/8	3/8
PSSR75-5	PSSR75-5-CH	3/4	5	2 1/4	2 1/8	3/8
PSSR100-3	PSSR100-3-CH	1	3	2	2 1/8	3/8
PSSR100-5	PSSR100-5-CH	1	5	2 1/4	2 1/8	3/8
PSSR125-3	PSSR125-3-CH	1 1/4	3	2 1/4	2 1/4	1/2
PSSR125-5	PSSR125-5-CH	1 1/4	5	2 3/8	2 1/4	1/2
PSSR150-3	PSSR150-3-CH	1 1/2	3	2 1/2	2 1/2	1/2
PSSR150-5	PSSR150-5-CH	1 1/2	5	2 1/2	2 1/2	1/2
PSSR200-3	PSSR200-3-CH	2	3	2 3/4	2 3/4	1/2
PSSR200-5	PSSR200-5-CH	2	5	2 3/4	2 3/4	1/2
PSSR250-3	PSSR250-3-CH	2 1/2	3	3 1/8	3	1/2
PSSR250-5	PSSR250-5-CH	2 1/2	5	3 1/8	3	1/2
PSSR300-3	PSSR300-3-CH	3	3	3 5/8	3 1/4	5/8
PSSR300-5	PSSR300-5-CH	3	5	3 5/8	3 1/4	5/8
PSSR350-3	PSSR350-3-CH	3 1/2	3	4	3 1/4	5/8
PSSR350-5	PSSR350-5-CH	3 1/2	5	4	3 1/4	5/8
PSSR400-3	PSSR400-3-CH	4	3	4 1/2	3 1/4	5/8
PSSR400-5	PSSR400-5-CH	4	5	4 1/2	3 1/4	5/8

DOSSERT®

TYPE PSV Vertical Pipe Bus Support

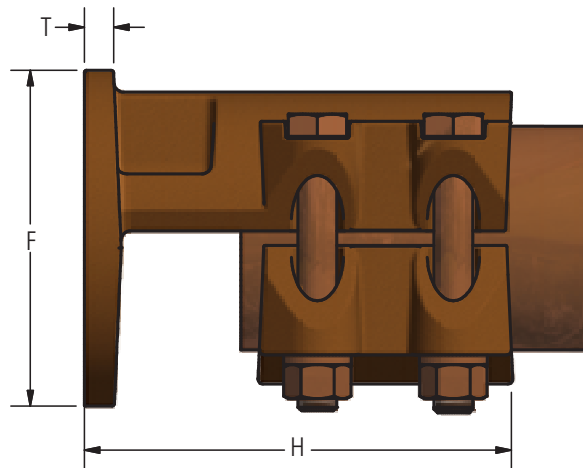
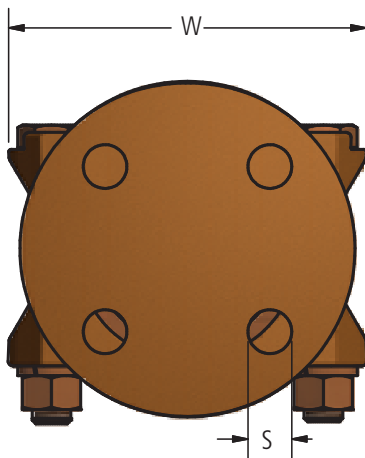
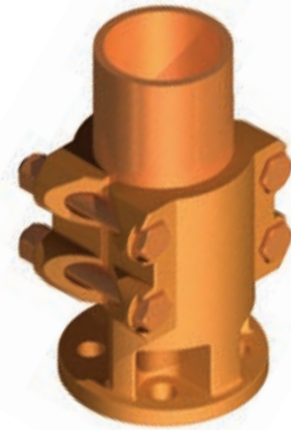
A right angle bus support clamp for mounting the bus vertically on an insulator. Can be readily supplied for either 3 inch or 5 inch bolt circle for cap or base mounting.

Material

Copper Alloy

Hardware

Everdur bolts, nuts and lockwashers
Mounting hardware galvanized steel



Ordering Information

CATALOG NUMBER	SPS	BOLT CIRCLE	DIMENSIONS IN INCHES					CANTILEVER FORCE LBS	
			F	H	S	T	W	ALLOWABLE	ULTIMATE
PSV100-3	1	3	4 1/4	4 3/8	9/16	3/8	3 1/8	1920	2750
PSV150-3	1 1/2	3	4 1/4	4 3/4	9/16	3/8	3 11/16	2000	2880
PSV150-5	1 1/2	5	6 1/4	4 3/4	11/16	3/8	3 11/16	4130	5950
PSV200-3	2	3	4 1/4	5 1/2	9/16	3/8	4 1/8	2080	2990
PSV200-5	2	5	6 1/4	4 3/4	11/16	3/8	4 1/8	4430	6380
PSV250-3	2 1/2	3	4 1/4	5 1/2	9/16	13/32	4 5/8	2160	3110
PSV250-5	2 1/2	5	6 1/4	4 3/4	11/16	13/32	4 5/8	4590	6610
PSV300-3	3	3	4 1/4	5 5/16	9/16	13/32	5 5/8	2240	3230
PSV300-5	3	5	6 1/4	5 5/16	11/16	13/32	5 5/8	4870	7010
PSV350-3	3 1/2	3	4 1/4	4 7/8	9/16	13/32	6 1/8	2720	3920
PSV350-5	3 1/2	5	6 1/4	5 1/2	11/16	13/32	6 1/8	5030	7240
PSV400-3	4	3	4 1/4	4 7/8	9/16	13/32	6 5/8	2820	4060
PSV400-5	4	5	6 1/4	4 7/8	11/16	3/8	6 5/8	5350	7700

TYPE SBC

Sliding Bus Support For Tubular Bus

DOSSERT®

A sliding bus support coupler for standard pipe size tubular bus. Finds wide application where short membered tubular buses are to be joined and supported on structural members or insulators. Complete unit is corrosion resistant and nonmagnetic.

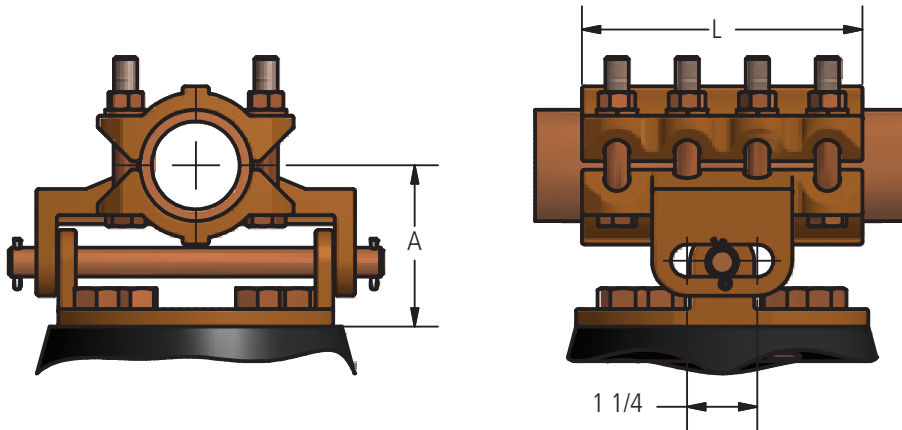
Material

Copper Alloy

Hardware

Everdur bolts, nuts, lockwashers, washers, stainless steel cotter pin

Mounting hardware galvanized steel



Ordering Information

CATALOG NUMBER	SPS	BOLT CIRCLE	DIMENSIONS IN INCHES		BOLT SIZE
			A	L	
SBC75-3	3/4	3	2	3 1/2	3/8
SBC75-5	3/4	5	2 1/4	3 1/2	3/8
SBC100-3	1	3	2	4 1/2	3/8
SBC100-5	1	5	2 1/4	4 1/2	3/8
SBC125-3	1 1/4	3	2 1/4	5 1/2	1/2
SBC125-5	1 1/4	5	2 3/8	5 1/2	1/2
SBC150-3	1 1/2	3	2 1/2	5 3/4	1/2
SBC150-5	1 1/2	5	2 1/2	5 3/4	1/2
SBC200-3	2	3	2 3/4	6	1/2
SBC200-5	2	5	2 3/4	6	1/2
SBC250-3	2 1/2	3	3 1/8	6	1/2
SBC250-5	2 1/2	5	3 1/8	6	1/2
SBC300-5	3	5	3 5/8	7	5/8
SBC350-5	3 1/2	5	4	8	5/8
SBC400-5	4	5	4 1/2	8 3/4	5/8

DOSSERT®

TYPE SBS

Sliding Bus Support For Tubular Bus

A sliding bus support for standard pipe size tubular bus. The clamp and bracket constitute a rigid member while free axial movement is effected between the bracket and mounting base. Support also permits mounting of tubular buses at slight angular deviation.



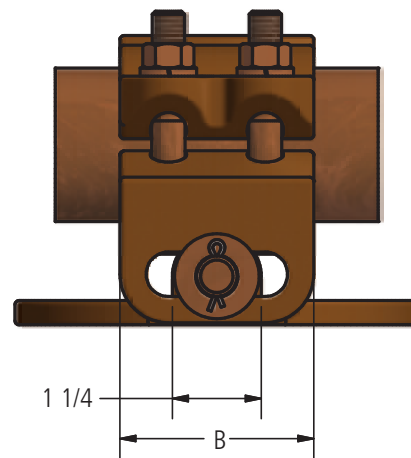
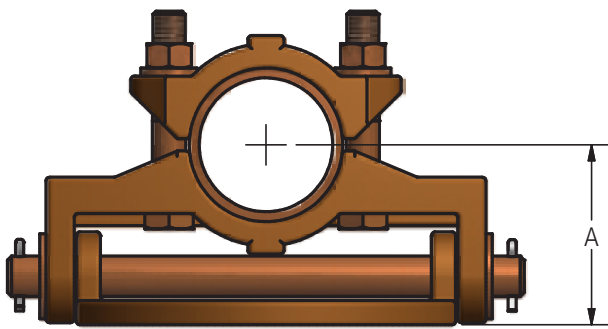
Material

Copper Alloy

Hardware

Everdur bolts, nuts and lockwashers

Mounting hardware galvanized steel



Ordering Information

CATALOG NUMBER	SPS	BOLT CIRCLE	DIMENSIONS IN INCHES		
			A	B	BOLT SIZE
SBS100-3	1	3	2	2 1/8	3/8
SBS100-5	1	5	2 1/4	2 1/8	3/8
SBS125-3	1 1/4	3	2 1/4	2 5/8	1/2
SBS125-5	1 1/4	5	2 3/8	2 5/8	1/2
SBS150-3	1 1/2	3	2 1/2	2 7/8	1/2
SBS150-5	1 1/2	5	2 1/2	2 7/8	1/2
SBS200-3	2	3	2 3/4	3	1/2
SBS200-5	2	5	2 3/4	3	1/2
SBS250-3	2 1/2	3	3 1/8	3 1/8	1/2
SBS250-5	2 1/2	5	3 1/8	3 1/8	1/2
SBS300-5	3	5	3 5/8	3 1/4	5/8
SBS350-5	3 1/2	5	4	3 1/4	5/8
SBS400-5	4	5	4 1/2	3 3/8	5/8

DOSSERT® TYPE SAH, SAHD, SHH, SHHD

A horizontal bus support for supporting one or more flat bus bars in a horizontal position. The following supports do not include spacers. The double group type includes a single wide spacer only.

Material

Copper Alloy

Hardware

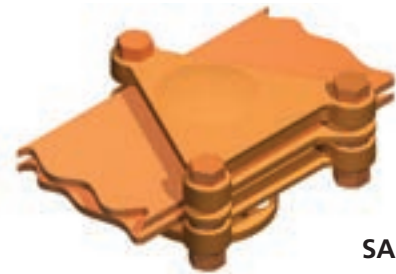
Everdur bolts, nuts and lockwashers
Mounting hardware galvanized steel

Note

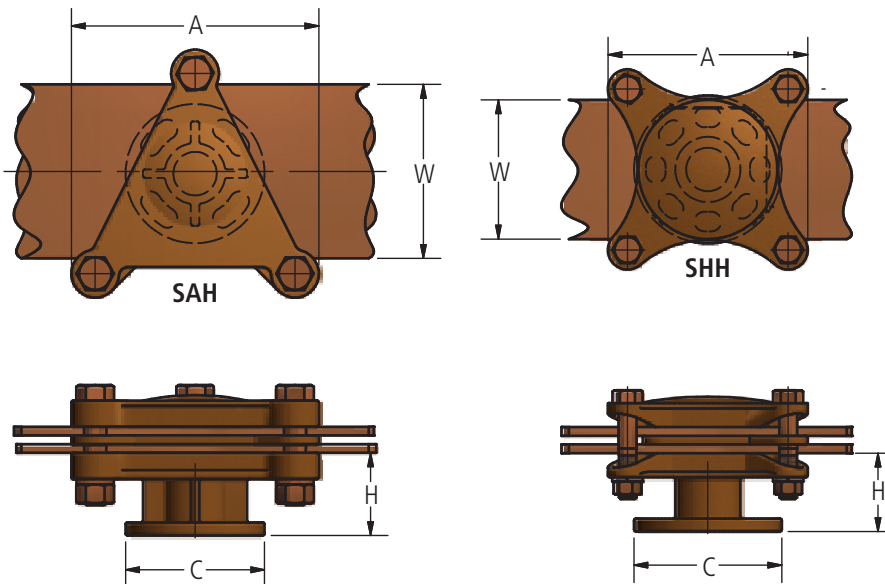
Add suffix to catalog number for the number of bars to be supported. EX: SAV4-3-4



SHH



SAH



Ordering Information

CATALOG NUMBER				WIDTH OF BARS	BOLT CIRCLE	DIMENSIONS IN INCHES			
SAH	SAHD	SHH	SHHD			A	C	H	W
SAH2-3	SAHD2-3	SHH2-3	SHHD2-3	2	3	3 5/16	3 5/16	2 1/8	2
SAH2-5	SAHD2-5	SHH2-5	SHHD2-5	2	5	3 5/16	3 5/16	2 3/8	2
SAH3-3	SAHD3-3	SHH3-3	SHHD3-3	3	3	3 5/16	4 5/16	2 1/8	3
SAH3-5	SAHD3-5	SHH3-5	SHHD3-5	3	5	3 5/16	4 5/16	2 3/8	3
SAH4-3	SAHD4-8	SHH4-3	SHHD4-3	4	3	4 3/4	5 3/4	2 1/4	4
SAH4-5	SAHD4-5	SHH4-5	SHHD4-5	4	5	4 3/4	5 3/4	2 1/2	4
SAH5-3	SAHD5-3	SHH5-3	SHHD5-3	5	3	5 3/4	6 3/4	2 3/8	5
SAH5-5	SAHD5-5	SHH5-5	SHHD5-5	5	5	5 3/4	6 3/4	2 5/8	5
SAH6-3	SAHD6-3	SHH6-3	SHHD6-3	6	3	7 1/8	8 1/8	2 3/8	6
SAH6-5	SAHD6-5	SHH6-6	SHHD6-6	6	5	7 1/8	8 1/8	2 5/8	6

DOSSERT® TYPE SAV, SAVD, SHV, SHVD

Vertical Bus Support Clamps

A vertical support clamp for supporting one or more flat bus bars in a vertical or upright position. SAV and SHV does not include a spacer, SAVD and SHVD includes a single wide spacer only.

Material

Copper Alloy

Note

Suffix to the catalog number the number of bars to be supported. EX: SAV4-5-4

Hardware

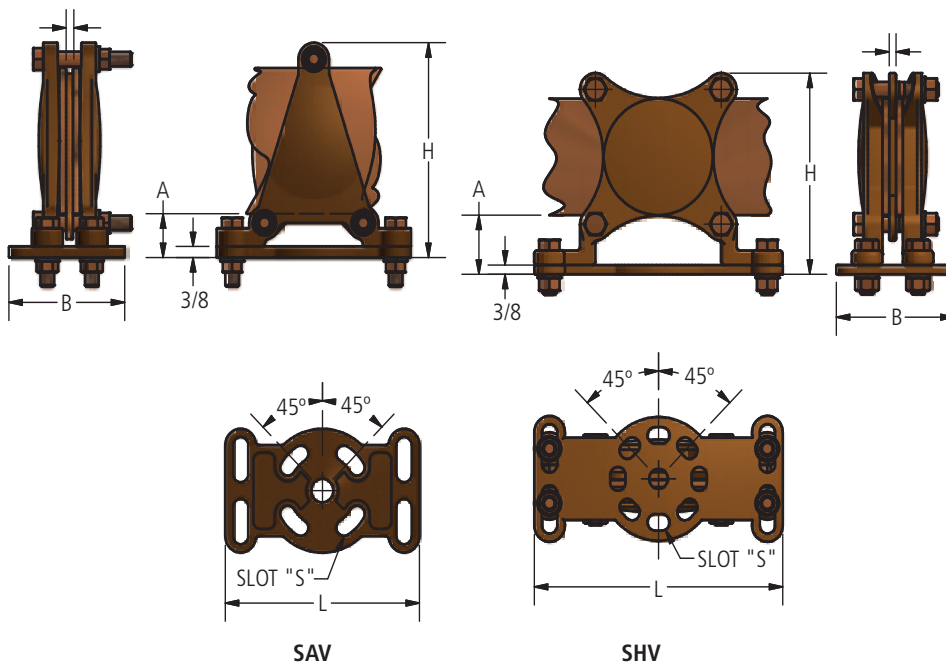
Everdur bolts, nuts and lockwashers
Mounting hardware galvanized steel



SHV



SAV



Ordering Information

CATALOG NUMBER		A	CATALOG NUMBER		A	DIMENSIONS IN INCHES				
SAV	SAVD		SHV	SHVD		WIDTH OF BARS	BOLT CIRCLE	B	H	L
SAV2-3	SAVD2-3	1-3/4	SHV2-3	SHVD2-3	1 3/4	2	3	4 1/4	4 7/16	8 1/8
SAV2-5	SAVD2-5	1-3/4	SHV2-5	SHVD2-5	1 3/4	2	5	4 1/4	4 7/16	8 1/8
SAV3-3	SAVD3-3	1-3/4	SHV3-3	SHVD3-3	1 3/4	3	3	4 1/4	5 7/16	8 1/8
SAV3-5	SAVD3-5	1-3/4	SHV3-5	SHVD3-5	1 3/4	3	5	4 1/4	5 7/16	8 1/8
SAV4-3	SAVD4-3	1-3/4	SHV4-3	SHVD4-3	1 3/4	4	3	4 1/4	6 3/4	8 1/8
SAV4-5	SAVD4-5	1-3/4	SHV4-5	SHVD4-5	1 3/4	4	5	4 1/4	6 3/4	7 1/8
SAV5-3	SAVD5-3	1-3/4	SHV5-3	SHVD5-3	1 3/4	5	3	4 1/4	7 3/4	7 1/8
SAV5-5	SAVD5-5	1-3/4	SHV5-5	SHVD5-5	1 3/4	5	5	4 1/4	7 3/4	7 1/8
SAV6-3	SAVD6-3	1-3/4	SHV6-3	SHVD6-3	2	6	3	4 1/4	8 15/16	7 1/8
SAV6-5	SAVD6-5	1-3/4	SHV6-5	SHVD6-5	2	6	5	4 1/4	8 15/16	7 1/8

DOSSERT®

TYPE SAVS, SHVS

Sliding Vertical Bus Support For Multiple Flat Bars

Four types of sliding bus support clamps for supporting one or more flat bars in a vertical or upright position. The slotted base provides for 1 1/4 inch of axial traverse. Accommodates any number of bars. Types SAVSD and SHVSD allows for double stack mounting by the provision of a 2 3/8 inch spacer for single or multi-bar systems. Unless otherwise specified types SAVS and SHVS are supplied without spacers and types SAVSD and SHVSD are supplied with only the 2 3/8 inch double stack spacer. Supplied with cap screws for cap mounting or bolts and nuts for base mounting.

Material

Copper Alloy

Hardware

Everdur bolts, nuts, lockwashers, flat washers, and stainless steel cotter pin
Mounting hardware galvanized steel

Note

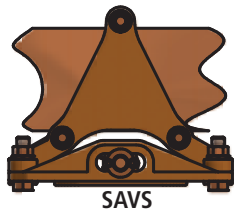
- For additional spacers for 1/4 inch bars spaced 1/4 inch apart please contact AFL
- When ordering add the number of bars to be supported to the end of the catalog number and state bar thickness if other than 1/4 inch. Example: SAVS3-3-4



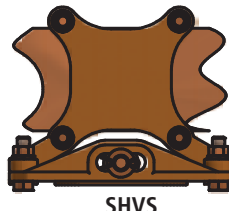
SAVS



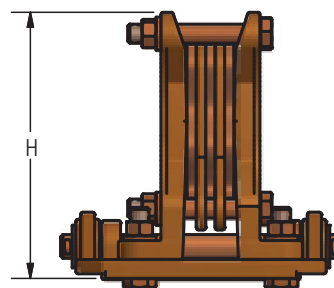
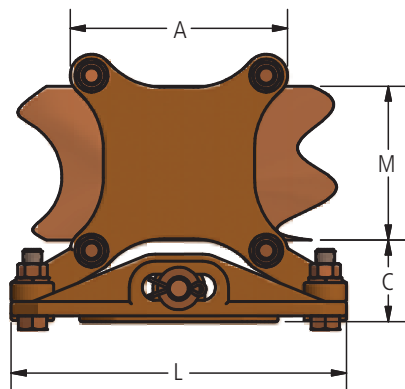
SHVS



SAVS



SHVS



Ordering Information

CATALOG NUMBER		WIDTH OF BARS M	BOLT CIRCLE	DIMENSIONS IN INCHES				BOLT SIZE
SAVS	SHVS			A	C	H	L	
SAVS3-3	SHVS3-3	3	3	4 5/16	1 3/8	5 3/8	7 3/8	3/8
SAVS3-5	SHVS3-5	3	5	4 5/16	1 1/2	5 1/2	9 3/8	3/8
SAVS4-3	SHVS4-3	4	3	4 3/4	1 7/8	6 3/4	7 7/8	1/2
SAVS4-5	SHVS4-5	4	5	5 3/4	2	6 7/8	9 5/16	1/2
SAVS5-3	SHVS5-3	5	3	4 3/4	1 7/8	7 3/4	7 7/8	1/2
SAVS5-5	SHVS5-5	5	5	5 3/4	2	7 7/8	9 5/16	1/2
SAVS6-3	SHVS6-3	6	3	4 3/4	1 7/8	8 3/4	7 7/8	1/2
SAVS6-5	SHVS6-5	6	5	5 3/4	2	8 7/8	9 5/16	1/2

DOSSERT[®] TYPE SSHH, SSHHD Horizontal Sliding Bus Support

A horizontal type sliding bus support clamp for supporting one or more flat bars. The axle type support with slotted bracket provides for a 1 1/4 inch traverse. Accommodates any number of bars. Type SSHHD allows for double stack mounting by the provision of a 2 3/8 inch spacer for single bar or multi-bar systems. Unless otherwise specified type SSHH is supplied without spacers and type SSHHD is supplied with only the 2 3/8 inch double stack spacer. Supplied with cap screws for cap mounting or bolts and nuts for base mounting.

Material

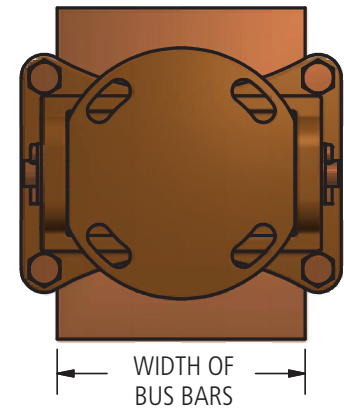
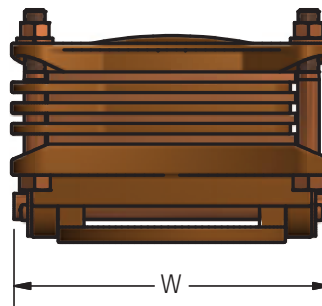
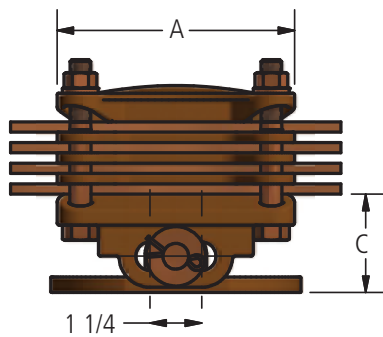
Copper Alloy

Hardware

Everdur bolts, nuts, lockwashers, flat washers, and stainless steel cotter pin
Mounting hardware galvanized steel

Note

- When ordering suffix the number of bars to be supported to catalog number and state bar thickness if other than 1/4 inch.
- For additional spacers for 1/4 inch bars spaced 1/4 inch apart please contact Dossert.



Ordering Information

CATALOG NUMBER	WIDTH OF BUS BARS	BOLT CIRCLE	DIMENSIONS IN INCHES			BOLT SIZE	
			A	C	W		
SSHH2-3	SSHHD2-3	2	3	4 5/16	2 1/8	6 3/4	3/8
SSHH2-5	SSHHD2-5	2	5	4 5/16	2 1/4	6 3/4	3/8
SSHH3-3	SSHHD3-3	3	3	4 5/16	2 1/8	6 3/4	3/8
SSHH3-5	SSHHD3-5	3	5	4 5/16	2 1/4	6 3/4	3/8
SSHH4-3	SSHHD4-3	4	3	4 3/4	2 1/4	7 1/4	1/2
SSHH4-5	SSHHD4-5	4	5	4 3/4	2 1/2	7 1/4	1/2
SSHH5-3	SSHHD5-3	5	3	5 3/4	2 3/8	7 3/8	1/2
SSHH5-5	SSHHD5-5	5	5	5 3/4	2 5/8	7 3/8	1/2
SSHH6-3	SSHHD6-3	6	3	5 3/4	2 3/8	7 3/4	1/2
SSHH6-5	SSHHD6-5	6	5	5 3/4	2 5/8	7 3/4	1/2

DOSSERT®

TYPE XBC Copper Bus Support Coupler

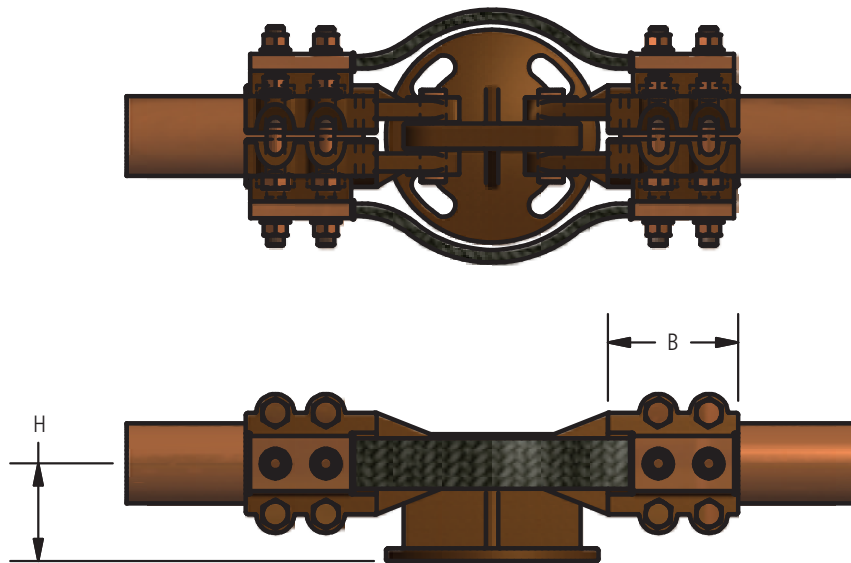
A bus support coupler with a flexible braid linkage designed to conduct the full rated load of the tubular buses and at the same time permit free axial movement of each bus member. The shackle type fitting allows slight angular deviation of the buses from the horizontal where they cannot be kept on a true plane.

Material

Copper Alloy

Hardware

Everdur bolts, nuts, lockwashers, galvanized steel clevis pin, and stainless steel cotter pin



Ordering Information

CATALOG NUMBER	SPS	BOLT CIRCLE	DIMENSIONS IN INCHES		BOLT SIZE
			B	H	
XBC50-3	1/2	3	2 5/8	1 3/4	3/8
XBC50-5	1/2	5	2 5/8	2 1/8	3/8
XBC75-3	3/4	3	3	2	3/8
XBC75-5	3/4	5	3	2 1/4	3/8
XBC100-3	1	3	3	2	3/8
XBC100-5	1	5	3	2 1/4	3/8
XBC125-3	1 1/4	3	3	2 1/4	1/2
XBC125-5	1 1/4	5	3	2 3/8	1/2
XBC150-3	1 1/2	3	3 1/4	2 1/2	1/2
XBC150-5	1 1/2	5	3 1/4	2 1/2	1/2
XBC200-3	2	3	3 1/4	2 3/4	1/2
XBC200-5	2	5	3 1/4	2 3/4	1/2
XBC250-3	2 1/2	3	3 1/4	3 1/8	1/2
XBC250-5	2 1/2	5	3 1/4	3 1/8	1/2
XBC300-3	3	3	3 3/4	3 5/8	5/8
XBC300-5	3	5	3 3/4	3 5/8	5/8
XBC350-3	3 1/2	3	3 3/4	4	5/8
XBC350-5	3 1/2	5	3 3/4	4	5/8
XBC400-3	4	3	4	4 1/2	5/8
XBC400-5	4	5	4	4 1/2	5/8
XBC600-5	6	5	6 3/4	5 1/2	5/8

DOSSERT®

TYPE CCV-S

Copper Heavy Duty Variable Coupler for Cable

A cable to cable heavy duty variable type coupler. Each cable holding section accommodates a wide range of cable sizes.

Material

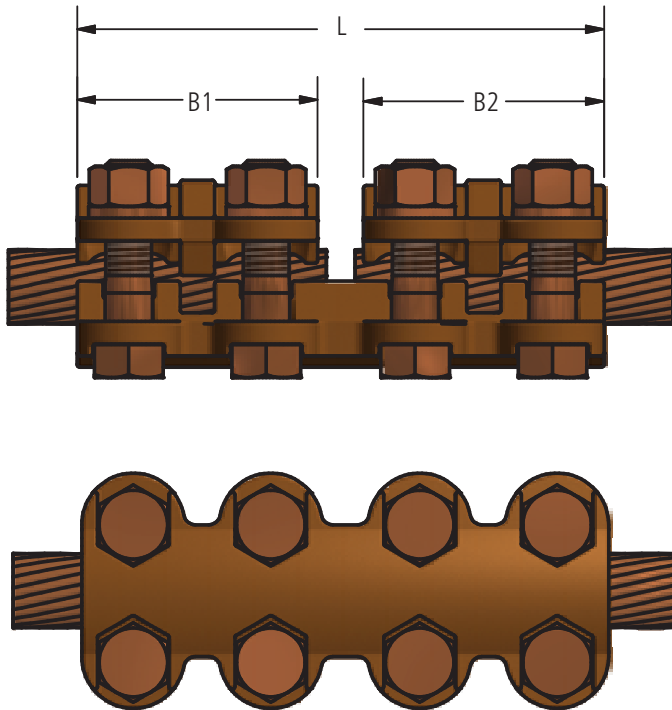
Cast Copper Alloy

Hardware

Everdur bolts, nuts and lockwashers



Bronze Couplers



Ordering Information

CATALOG NUMBER	CABLE RANGE RUN		CABLE RANGE TAP		DIMENSIONS IN INCHES			BOLT SIZE
	MIN	MAX	MIN	MAX	B1	B2	L	
CCV50-50-S	1/0 SOL	500 MCM	1/0 SOL	500 MCM	2 5/8	2 5/8	5 3/4	1/2
CCV60-60-S	#4 SOL	600 MCM	#4 SOL	600 MCM	2 1/2	2 1/2	5 1/2	3/8
CCV80-80-S	2/0 SOL	800 MCM	2/0 SOL	800 MCM	2 7/8	2 7/8	6 1/4	1/2
CCV100-50-S	4/0 SOL	1000 MCM	1/0 SOL	500 MCM	2 5/8	2 7/8	5 3/4	1/2
CCV100-100-S	4/0 SOL	1000 MCM	4/0 SOL	1000 MCM	2 7/8	2 7/8	6	1/2
CCV150-150-S	250 MCM	1500 MCM	250 MCM	1500 MCM	3 3/8	3 3/8	7 1/4	1/2
CCV200-200-S	500 MCM	2000 MCM	500 MCM	2000 MCM	3 3/8	3 3/8	7 1/4	1/2

DOSSERT®

TYPE CP

Pipe Coupler

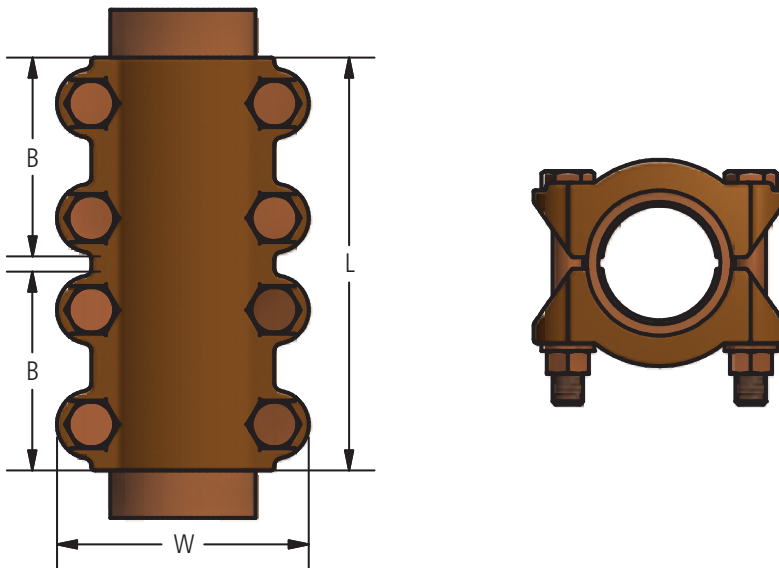
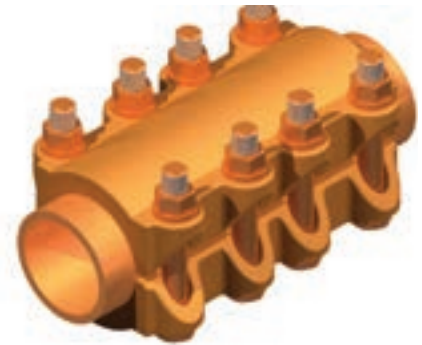
A bolted clamp type connector for coupling standard pipe size tubular buses. Rigidly constructed to withstand high bending stresses.

Material

Copper Alloy

Hardware

Everdur bolts, nuts and lockwashers



Ordering Information

CATALOG NUMBER	SPS	DIMENSIONS IN INCHES			BOLT SIZE
		B	L	W	
CP50	1/2	2-1/2	5-1/4	2-9/16	1/2
CP75	3/4	2-3/4	5-3/4	2-3/4	1/2
CP100	1	2-3/4	5-3/4	3-1/16	1/2
CP125	1-1/4	3	6-1/4	3-7/16	1/2
CP150	1-1/2	3	6-1/4	3-11/16	1/2
CP200	2	3-1/4	6-3/4	4-1/8	1/2
CP250	2-1/2	3-1/4	6-3/4	4-5/8	1/2
CP300	3	3-3/4	7-3/4	5-5/8	5/8
CP350	3-1/2	4	8-1/4	6-1/8	5/8
CP400	4	4-1/2	9-1/4	6-5/8	5/8
CP500	5	7	14-1/4	7-11/16	5/8
CP600	6	7	14-1/4	8-3/4	5/8

DOSSERT® TYPE HC, HC-A Copper Coupler For Cable

The HERCULON™ Coupler provides an inexpensive means for joining end to end cables of the same size or different size within a wide range of conductors. Complete installation is accomplished by merely tightening the two pressure screws.

Material

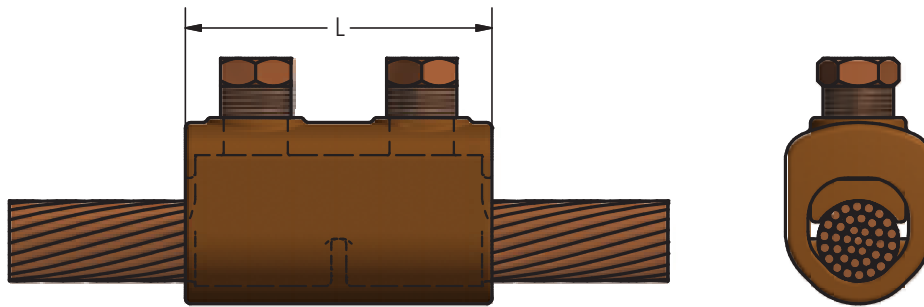
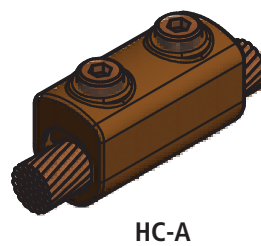
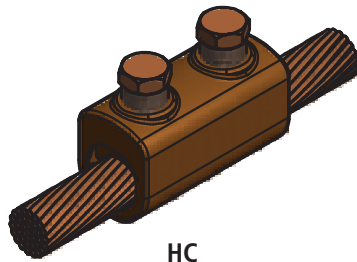
Copper Alloy

Hardware

Everdur pressure bolts



Bronze Couplers



Ordering Information

CATALOG NUMBER		CABLE RANGE		DIMENSION IN INCHES
HEX BOLT	ALLEN HEAD BOLT	MINIMUM	MAXIMUM	L
HC4	HC4-A	8 Solid	4 Solid	1 1/4
HC8	HC8-A	4 Solid	1 Stranded	1 3/4
HC13	HC13-A	1 Stranded	2/0 STRanded	2
HC21	HC21-A	2/0 STRanded	4/0 STRanded	2 1/4
HC30	HC30-A	4/0 STRanded	300 MCM	2 9/16
HC35	HC35-A	250 MCM	350 MCM	2 3/4
HC50	HC50-A	300 MCM	500 MCM	3
HC75	HC75-A	500 MCM	750 MCM	3 1/4
HC100	HC100-A	750 MCM	1000 MCM	3 7/8

DOSSERT®

TYPE RP Copper Reducing Clamp for Tubular Bus

A clamp type reducing coupler for connecting various sizes of standard pipe size tubular buses end to end. Contact surfaces finished to provide a strong grip on the conductor and a good electrical contact.

Material

Copper Alloy

Hardware

Everdur bolts, nuts and lockwashers

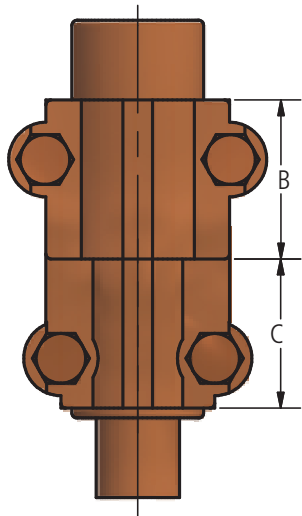


FIG. 1

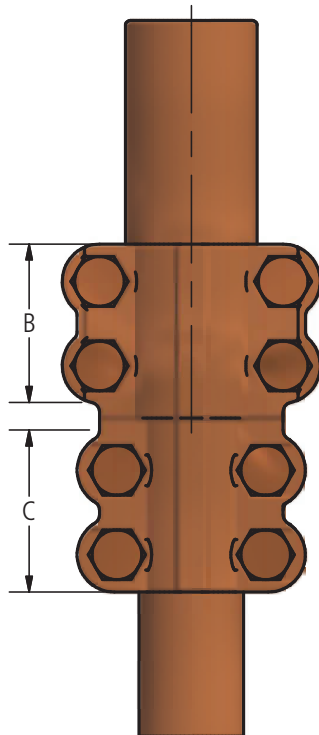
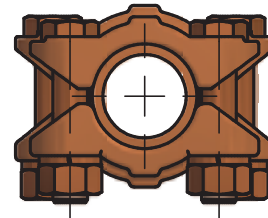


FIG. 2





DOSSERT®

TYPE RP

Copper Reducing Clamp for Tubular Bus

Ordering Information

CATALOG NUMBER	SPS		FIG. NO.	DIMENSIONS IN INCHES		BOLT SIZE
	IN	OUT		B	C	
RP38-25	3/8	1/4	1	1 1/2	1 1/2	3/8
RP50-25	1/2	1/4	1	1 1/2	1 1/2	3/8
RP50-38	1/2	3/8	1	1 1/2	1 1/2	3/8
RP75-25	3/4	1/4	1	1 1/2	1 1/2	3/8
RP75-38	3/4	3/8	1	1 1/2	1 1/2	3/8
RP75-50	3/4	1/2	2	2	2	3/8
RP100-38	1	3/8	2	1 1/2	1 1/2	3/8
RP100-50	1	1/2	2	2 1/8	2 1/8	3/8
RP100-75	1	3/4	2	2 1/8	2 1/8	3/8
RP125-50	1 1/4	1/2	2	2 1/8	2 1/8	3/8
RP125-75	1 1/4	3/4	2	2 1/8	2 1/8	3/8
RP125-100	1 1/4	1	2	2 1/8	2 1/8	3/8
RP150-50	1 1/2	1/2	2	2 1/8	2 1/8	3/8
RP150-75	1 1/2	3/4	2	2 1/8	2 1/8	3/8
RP150-100	1 1/2	1	2	2 1/8	2 1/8	3/8
RP150-125	1 1/2	1 1/4	2	2 1/2	2 1/2	1/2
RP200-50	2	1/2	2	2 1/8	2 1/8	3/8
RP200-75	2	3/4	2	2 1/8	2 1/8	3/8
RP200-100	2	1	2	2 1/8	2 1/8	3/8
RP200-125	2	1 1/4	2	2 1/2	2 1/2	1/2
RP200-150	2	1 1/2	2	2 5/8	2 5/8	1/2
RP200-200	2 1/2	1/2	2	2 1/8	2 1/8	3/8
RP250-75	2 1/2	3/4	2	2 1/8	2 1/8	3/8
RP250-100	2 1/2	1	2	2 1/8	2 1/8	3/8
RP250-125	2 1/2	1 1/4	2	2 1/2	2 1/2	1/2
RP250-150	2 1/2	1 1/2	2	2 5/8	2 5/8	1/2
RP250-200	2 1/2	2	2	2 3/4	2 3/4	1/2
RP300-100	3	1	2	2 1/8	2 1/8	3/8
RP300-125	3	1 1/4	2	2 1/2	2 1/2	1/2
RP300-150	3	1 1/2	2	2 5/8	2 5/8	1/2
RP300-200	3	2	2	2 3/4	2 3/4	1/2
RP300-250	3	2 1/2	2	2 3/4	2 3/4	1/2
RP350-100	3 1/2	1	2	2 1/8	2 1/8	3/8
RP350-125	3 1/2	1 1/4	2	2 1/2	2 1/2	1/2
RP350-150	3 1/2	1 1/2	2	2 5/8	2 5/8	1/2
RP350-200	3 1/2	2	2	2 3/4	2 3/4	1/2
RP350-250	3 1/2	2 1/2	2	3 1/4	2 3/4	1/2
RP350-300	3 1/2	3	2	3 1/4	3 1/4	5/8
RP400-125	4	1 1/4	2	2 1/2	2 1/2	1/2
RP400-150	4	1 1/2	2	2 5/8	2 5/8	1/2
RP400-200	4	2	2	2 3/4	2 3/4	1/2
RP400-250	4	2 1/2	2	2 3/4	2 3/4	1/2
RP400-300	4	3	2	3 1/4	3 1/4	5/8
RP400-350	4	3 1/2	2	3 1/4	3 1/4	5/8

DOSSERT®

TYPE RPCV-S Copper Pipe to Cable Coupler

A pipe to cable coupler which takes a wide range of cable sizes on the cable clamping member. All clamping members act independently.

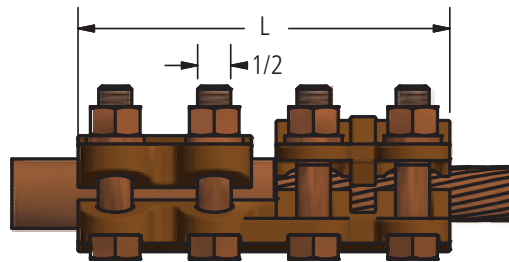
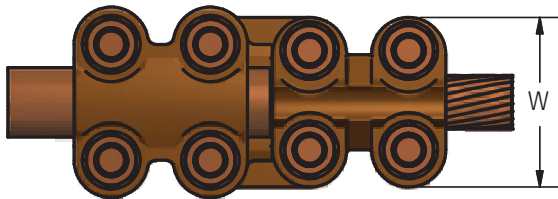


Material

High Conductivity Cast Copper Alloy

Hardware

Everdur bolts, nuts and lockwashers



Ordering Information

CATALOG NUMBER	SPS	CABLE RANGE		DIMENSIONS IN INCHES	
		MIN	MAX	L	W
RPCV38-50-S	3/8	1/0 SOL	500 MCM	5 5/8	2 7/16
RPCV50-25	1/2	4 SOL	250 MCM	5 7/8	2 5/8
RPCV50-50-S	1/2	1/0 SOL	500 MCM	5 3/4	2 5/8
RPCV50-60-S	1/2	4 SOL	600 MCM	5 7/8	2 5/8
RPCV75-25	3/4	4 SOL	250 MCM	6	2 7/8
RPCV75-50-S	3/4	1/0 SOL	500 MCM	5 7/8	2 7/8
RPCV75-60-S	3/4	4 SOL	600 MCM	6	2 7/8
RPCV100-25	1	4 SOL	250 MCM	6	3 3/16
RPCV100-50-S	1	1/0 SOL	500 MCM	5 7/8	3 3/16
RPCV100-60-S	1	4 SOL	600 MCM	6	3 3/16
RPCV100-80-S	1	2/0 SOL	800 MCM	6 1/8	3 3/16
RPCV100-100-S	1	4/0 SOL	1000 MCM	6 1/8	2 7/8
RPCV125-25	1 1/4	4 SOL	250 MCM	5 7/8	3 7/16
RPCV125-50-S	1 1/4	1/0 SOL	500 MCM	5 3/4	3 7/16
RPCV125-60-S	1 1/4	4 SOL	600 MCM	5 7/8	3 7/16
RPCV125-80-S	1 1/4	2/0 SOL	800 MCM	6	3 7/16
RPCV125-100-S	1 1/4	4/0 SOL	1000 MCM	6	3 7/16
RPCV150-25	1 1/2	4 SOL	250 MCM	5 7/8	3 11/16
RPCV150-50-S	1 1/2	1/0 SOL	500 MCM	5 3/4	3 11/16
RPCV150-60-S	1 1/2	4 SOL	600 MCM	5 7/8	3 11/16
RPCV150-80-S	1 1/2	2/0 SOL	800 MCM	6	3 5/8
RPCV150-100-S	1 1/2	4/0 SOL	1000 MCM	6	3 5/8
RPCV150-150-S	1 1/2	4/0 SOL	2000 MCM	6 1/2	3 5/8
RPCV150-200-S	1 1/2	500 MCM	2000 MCM	6 1/2	3 5/8
RPCV200-25	2	4 SOL	250 MCM	6 1/8	4 1/8
RPCV200-50-S	2	1/0 SOL	500 MCM	6	4 1/8
RPCV200-60-S	2	4 SOL	600 MCM	6 1/8	4 1/8
RPCV200-80-S	2	2/0 SOL	800 MCM	6 1/4	4 1/8
RPCV200-100-S	2	4/0 SOL	1000 MCM	6 1/4	4 1/8
RPCV200-150-S	2	4/0 SOL	2000 MCM	6 3/4	4 1/8

CATALOG NUMBER	SPS	CABLE RANGE		DIMENSIONS IN INCHES	
		MIN	MAX	L	W
RPCV200-200-S	2	500 MCM	2000 MCM	6 3/4	4 1/8
RPCV250-25	2 1/2	4 SOL	250 MCM	6 1/8	4 5/8
RPCV250-50-S	2 1/2	1/0 SOL	500 MCM	6	4 5/8
RPCV250-60-S	2 1/2	4 SOL	600 MCM	6 1/8	4 5/8
RPCV250-80-S	2 1/2	2/0 SOL	800 MCM	6 1/4	4 5/8
RPCV250-100-S	2 1/2	4/0 SOL	1000 MCM	6 1/4	4 5/8
RPCV250-150-S	2 1/2	4/0 SOL	2000 MCM	6 3/4	4 5/8
RPCV250-200-S	2 1/2	500 MCM	2000 MCM	6 3/4	4 5/8
RPCV300-25	3	4 SOL	250 MCM	6 3/8	5 3/8
RPCV300-50-S	3	1/0 SOL	500 MCM	6 1/4	5 3/8
RPCV300-60-S	3	4 SOL	600 MCM	6 3/8	5 3/8
RPCV300-80-S	3	2/0 SOL	800 MCM	6 1/2	5 3/8
RPCV300-100-S	3	4/0 SOL	1000 MCM	6 1/2	5 3/8
RPCV300-150-S	3	4/0 SOL	2000 MCM	7	5 3/8
RPCV300-200-S	3	500 MCM	2000 MCM	7	5 7/8
RPCV350-25	3 1/2	4 SOL	250 MCM	6 1/2	6 1/8
RPCV350-50-S	3 1/2	1/0 SOL	500 MCM	6 1/4	5 7/8
RPCV350-60-S	3 1/2	4 SOL	600 MCM	6 3/8	5 7/8
RPCV350-80-S	3 1/2	2/0 SOL	800 MCM	6 1/2	5 7/8
RPCV350-100-S	3 1/2	4/0 SOL	1000 MCM	6 1/2	5 7/8
RPCV350-150-S	3 1/2	4/0 SOL	2000 MCM	7	5 7/8
RPCV350-200-S	3 1/2	500 MCM	2000 MCM	7	5 7/8
RPCV400-25	4	4 SOL	250 MCM	6 5/8	6 3/8
RPCV400-50-S	4	1/0 SOL	500 MCM	6 1/2	6 3/8
RPCV400-60-S	4	4 SOL	600 MCM	6 5/8	6 3/8
RPCV400-80-S	4	2/0 SOL	800 MCM	6 3/4	6 3/8
RPCV400-100-S	4	4/0 SOL	1000 MCM	6 3/4	6 3/8
RPCV400-150-S	4	4/0 SOL	2000 MCM	7 1/2	6 3/8
RPCV400-200-S	4	500 MCM	2000 MCM	7 1/2	6 3/8

DOSSERT®

TYPE UK, UKT Copper U-Bolt Coupler

A U-Bolt type straight connector for coupling two cables end to end. The the UKT connects a total of three cables. Each of the connector takes a wide range of cable sizes. Designed to provide high contact pressure on all cable sizes.

Material

Copper Alloy

Hardware

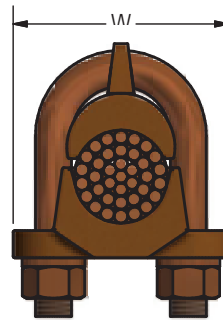
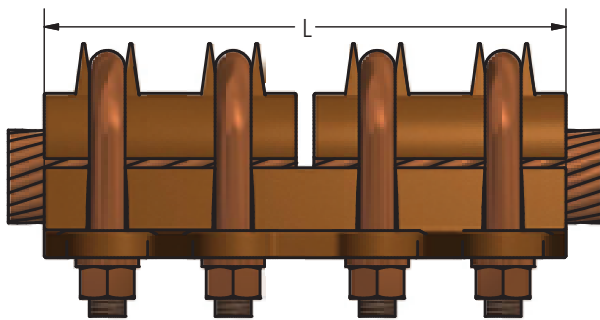
Everdur U-bolts, nuts and lockwashers



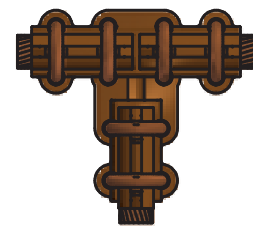
UK



UKT



UK



UKT

Ordering Information

CATALOG NUMBER		CABLE RANGE		DIMENSIONS IN INCHES		U-BOLT SIZE
UK	UKT	MIN	MAX	L	W	
UK13	UKT13-13	6 Str	2/0 STR	5 1/8	1 9/16	5/16
UK21	UKT21-21	1 Str	4/0 STR	5 3/8	1 7/8	3/8
UK30	UKT30-30	1/0 STR	300 MCM	5 5/8	1 15/16	3/8
UK50	UKT50-50	300 MCM	500 MCM	6 1/8	2 1/8	3/8
UK80	UKT80-80	500 MCM	800 MCM	6 5/8	2 13/16	1/2
UK100	UKT100-100	750 MCM	1000 MCM	7 1/8	2 15/16	1/2
UK150	UKT150-150	1000 MCM	1500 MCM	8 1/8	3 3/16	1/2
UK200	UKT200-200	1500 MCM	2000 MCM	9 1/8	3 3/8	1/2

DOSSERT®

TYPE UKR Copper U-Bolt Coupler Reducer

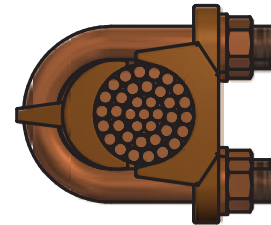
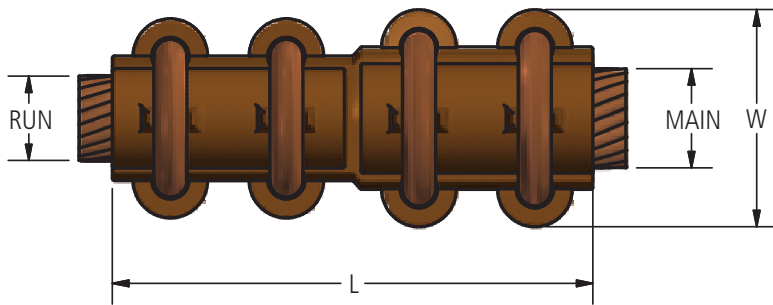
A U-Bolt type reducer connector for coupling end to end two unequal size cables. The variability of each half of the connector makes possible the combination of many sizes of cable.

Material

Copper Alloy

Hardware

Everdur U-bolts, nuts and lockwashers



Ordering Information

CATALOG NUMBER	CABLE RANGE RUN		CABLE RANGE TAP		DIMENSIONS IN INCHS		U-BOLT SIZE	
	MIN	MAX	MIN	MAX	L	W	MAIN	RUN
UKR21-13	1 Str	4/0 STR	6 Str	2/0 STR	5 1/4	1 7/8	3/8	5/16
UKR30-13	1/0 STR	300 MCM	6 Str	2/0 STR	5 3/8	1 15/16	3/8	5/16
UKR30-21	1/0 STR	300 MCM	1 Str	4/0 STR	5 1/2	1 15/16	3/8	3/8
UKR50-30	300 MCM	500 MCM	1/0 STR	300 MCM	5 7/8	2 1/8	3/8	3/8
UKR80-30	500 MCM	800 MCM	1/0 STR	300 MCM	6 1/8	2 13/16	1/2	3/8
UKR80-50	500 MCM	800 MCM	300 MCM	500 MCM	6 3/8	2 13/16	1/2	3/8
UKR100-30	750 MCM	1000 MCM	1/0 STR	300 MCM	6 3/8	2 15/16	1/2	3/8
UKR100-50	750 MCM	1000 MCM	300 MCM	500 MCM	6 5/8	2 15/16	1/2	3/8
UKR100-80	750 MCM	1000 MCM	500 MCM	800 MCM	6 7/8	2 15/16	1/2	1/2
UKR150-30	1000 MCM	1500 MCM	1/0 STR	300 MCM	6 15/16	3 3/16	1/2	3/8
UKR150-50	1000 MCM	1500 MCM	300 MCM	500 MCM	7 1/8	3 3/16	1/2	3/8
UKR150-80	1000 MCM	1500 MCM	500 MCM	800 MCM	7 3/8	3 3/16	1/2	1/2
UKR150-100	1000 MCM	1500 MCM	750 MCM	1000 MCM	7 5/8	3 3/16	1/2	1/2
UKR200-50	1500 MCM	2000 MCM	300 MCM	500 MCM	7 5/8	3 3/8	1/2	3/8
UKR200-80	1500 MCM	2000 MCM	500 MCM	800 MCM	7 7/8	3 3/8	1/2	1/2
UKR200-100	1500 MCM	2000 MCM	750 MCM	1000 MCM	8 1/8	3 3/8	1/2	1/2
UKR200-150	1500 MCM	2000 MCM	1000 MCM	1500 MCM	8 5/8	3 3/8	1/2	1/2

DOSSERT®

TYPE UP2K, UP4K

Special Coupler For Cables To Tubular Bus

A special coupler for coupling cables to a copper tubular bus. Each cable position is designed to accommodate a wide range of cable sizes.

Material

Copper Alloy

Hardware

Everdur bolts, nuts, lockwashers, and U-bolt

Note

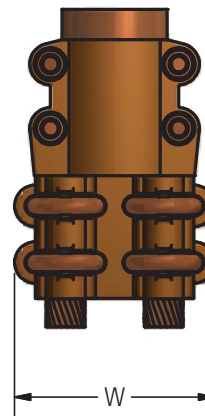
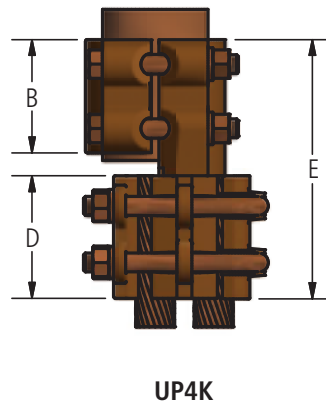
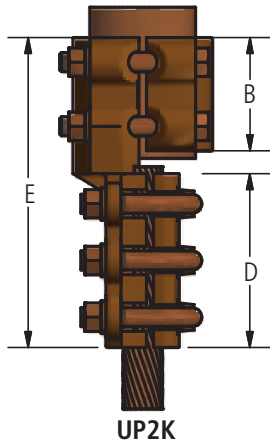
- Please contact Factory for specific sizes
For a four(4) cable coupler to pipe, replace UP2K with UP4K.
EX: UP2K300-80 would be with two cables.
- UP4K300-80 would be with four cables.
- For tin plating add "-SN" to the end of catalog number.



UP2K



UP4K



DOSSERT®

TYPE UP2K, UP4K Special Coupler For Cables To Tubular Bus

Ordering Information

CATALOG NUMBER		PIPE SPS	CABLE RANGE RUN		DIMENSIONS IN INCHES					BOLT SIZE	
UP2K	UP4K		MIN	MAX	B	D	E	S	W	RUN	TAP
UP2K38-13	UP4K38-13	3/8	#6 Str	2/0 STR	2	2 1/2	4 7/8	1 11/16	3 1/4	3/8	5/16
UP2K50-13	UP4K50-13	1/2	#6 Str	2/0 STR	2	2 1/2	4 7/8	1 11/16	3 1/4	3/8	5/16
UP2K50-21	UP4K50-21	1/2	#1 Str	4/0 STR	2	2 5/8	5	1 31/32	3 3/4	3/8	3/8
UP2K50-30	UP4K50-30	1/2	1/0 STR	300 MCM	2	2 3/4	5 1/8	2 1/16	4	3/8	3/8
UP2K75-13	UP4K75-13	3/4	#6 Str	2/0 STR	2	2 1/2	4 7/8	1 11/16	3 1/4	3/8	5/16
UP2K75-21	UP4K75-21	3/4	#1 Str	4/0 STR	2	2 5/8	5	1 31/32	3 3/4	3/8	3/8
UP2K75-30	UP4K75-30	3/4	1/0 STR	300 MCM	2	2 3/4	5 1/8	2 1/16	4	3/8	3/8
UP2K75-50	UP4K75-50	3/4	300 MCM	500 MCM	2	3	5 3/8	2 1/4	4 3/8	3/8	3/8
UP2K100-13	UP4K100-13	1	#6 Str	2/0 STR	2 1/4	2 1/2	5 1/8	1 11/16	3 1/4	3/8	5/16
UP2K100-21	UP4K100-21	1	#1 Str	4/0 STR	2 1/4	2 5/8	5 1/4	1 31/32	3 3/4	3/8	3/8
UP2K100-30	UP4K100-30	1	1/0 STR	300 MCM	2 1/4	2 3/4	5 3/8	2 1/16	4	3/8	3/8
UP2K100-50	UP4K100-50	1	300 MCM	500 MCM	2 1/4	3	5 5/8	2 1/4	4 3/8	3/8	3/8
UP2K100-80	UP4K100-80	1	500 MCM	800 MCM	2 3/4	3 1/4	6 3/8	2 27/32	5 1/2	1/2	1/2
UP2K125-13	UP4K125-13	1 1/4	#6 Str	2/0 STR	2 1/4	2 1/2	5 1/8	1 11/16	3 1/4	3/8	5/16
UP2K125-21	UP4K125-21	1 1/4	#1 Str	4/0 STR	2 1/4	2 5/8	5 1/4	1 31/32	3 3/4	3/8	3/8
UP2K125-30	UP4K125-30	1 1/4	1/0 STR	300 MCM	2 1/4	2 3/4	5 3/8	2 1/16	4	3/8	3/8
UP2K125-50	UP4K125-50	1 1/4	300 MCM	500 MCM	2 1/4	3	5 5/8	2 1/4	4 3/8	3/8	3/8
UP2K125-80	UP4K125-80	1 1/4	500 MCM	800 MCM	2 3/4	3 1/4	6 3/8	2 27/32	5 1/2	1/2	1/2
UP2K125-100	UP4K125-100	1 1/4	750 MCM	1000 MCM	2 3/4	3 1/2	6 5/8	3	5 7/8	1/2	1/2
UP2K150-21	UP4K150-21	1 1/2	#1 Str	4/0 STR	2 1/4	2 5/8	5 1/4	1 31/32	3 3/4	3/8	3/8
UP2K150-30	UP4K150-30	1 1/2	1/0 STR	300 MCM	2 1/4	2 3/4	5 3/8	2 1/16	4	3/8	3/8
UP2K150-50	UP4K150-50	1 1/2	300 MCM	500 MCM	2 1/4	3	5 5/8	2 1/4	4 3/8	3/8	3/8
UP2K150-80	UP4K150-80	1 1/2	500 MCM	800 MCM	2 3/4	3 1/4	6 3/8	2 27/32	5 1/2	1/2	1/2
UP2K150-100	UP4K150-100	1 1/2	750 MCM	1000 MCM	2 3/4	3 1/2	6 5/8	3	5 7/8	1/2	1/2
UP2K200-21	UP4K200-21	2	#1 Str	4/0 STR	2 1/4	2 5/8	5 3/8	1 31/32	3 3/4	3/8	3/8
UP2K200-30	UP4K200-30	2	1/0 STR	300 MCM	2 1/4	2 3/4	5 1/2	2 1/16	4	3/8	3/8
UP2K200-50	UP4K200-50	2	300 MCM	500 MCM	2 1/4	3	5 3/4	2 1/4	4 3/8	3/8	3/8
UP2K200-80	UP4K200-80	2	500 MCM	800 MCM	2 3/4	3 1/4	6 1/2	2 27/32	5 1/2	1/2	1/2
UP2K200-100	UP4K200-100	2	750 MCM	1000 MCM	2 3/4	3 1/2	6 3/4	3	5 7/8	1/2	1/2
UP2K200-150	UP4K200-150	2	1000 MCM	1500 MCM	2 3/4	4	7 1/4	3 1/4	6 5/8	1/2	1/2
UP2K250-30	UP4K250-30	2 1/2	1/0 STR	300 MCM	2 1/4	2 3/4	5 1/2	2 1/16	4	3/8	3/8
UP2K250-50	UP4K250-50	2 1/2	300 MCM	500 MCM	2 1/4	3	5 3/4	2 1/4	4 3/8	3/8	3/8
UP2K250-80	UP4K250-80	2 1/2	500 MCM	800 MCM	2 3/4	3 1/4	6 1/2	2 27/32	5 1/2	1/2	1/2
UP2K250-100	UP4K250-100	2 1/2	750 MCM	1000 MCM	2 3/4	3 1/2	6 3/4	3	5 7/8	1/2	1/2
UP2K250-150	UP4K250-150	2 1/2	1000 MCM	1500 MCM	2 3/4	4	7 1/4	3 1/4	6 5/8	1/2	1/2
UP2K300-30	UP4K300-30	3	1/0 STR	300 MCM	2 1/4	2 3/4	5 1/2	2 1/16	4	3/8	3/8
UP2K300-50	UP4K300-50	3	300 MCM	500 MCM	2 1/4	3	5 3/4	2 1/4	4 3/8	3/8	3/8
UP2K300-80	UP4K300-80	3	500 MCM	800 MCM	2 3/4	3 1/4	6 1/2	2 27/32	5 1/2	1/2	1/2
UP2K300-100	UP4K300-100	3	750 MCM	1000 MCM	2 3/4	3 1/2	6 3/4	3	5 7/8	1/2	1/2
UP2K300-150	UP4K300-150	3	1000 MCM	1500 MCM	2 3/4	4	7 1/4	3 1/4	6 5/8	1/2	1/2
UP2K350-30	UP4K350-30	3 1/2	1/0 STR	300 MCM	2 1/4	2 3/4	5 1/2	2 1/16	4	3/8	3/8
UP2K350-50	UP4K350-50	3 1/2	300 MCM	500 MCM	2 1/4	3	5 3/4	2 1/4	4 3/8	3/8	3/8
UP2K350-80	UP4K350-80	3 1/2	500 MCM	800 MCM	2 3/4	3 1/4	6 1/2	2 27/32	5 1/2	1/2	1/2
UP2K350-100	UP4K350-100	3 1/2	750 MCM	1000 MCM	2 3/4	3 1/2	6 3/4	3	5 7/8	1/2	1/2
UP2K350-150	UP4K350-150	3 1/2	1000 MCM	1500 MCM	2 3/4	4	7 1/4	3 1/4	6 5/8	1/2	1/2
UP2K400-30	UP4K400-30	4	1/0 STR	300 MCM	2 1/4	2 3/4	5 1/2	2 1/16	4	3/8	3/8
UP2K400-50	UP4K400-50	4	300 MCM	500 MCM	2 1/2	3	5 3/4	2 1/4	4 3/8	3/8	3/8
UP2K400-80	UP4K400-80	4	500 MCM	800 MCM	2 3/4	3 1/4	6 1/2	2 27/32	5 1/2	1/2	1/2
UP2K400-100	UP4K400-100	4	750 MCM	1000 MCM	2 3/4	3 1/2	6 3/4	3	5 7/8	1/2	1/2
UP2K400-150	UP4K400-150	4	1000 MCM	1500 MCM	2 3/4	4	7 1/4	3 1/4	6 5/8	1/2	1/2

DOSSERT®

TYPE UPK

Copper U-Bolt Coupler for Pipe to Cable

A U-bolt cable to pipe coupler. Made of high conductivity copper alloy and designed for rugged service. The variable U-bolt feature makes it possible for a connector for a given pipe size to accommodate individually several different cable sizes.

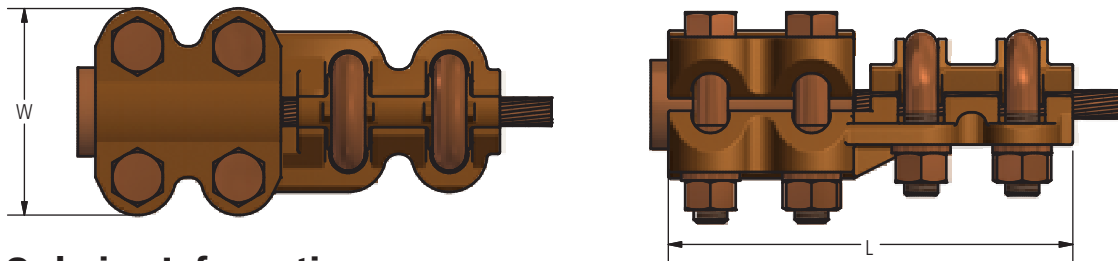


Material

Copper Alloy

Hardware

Everdur bolts, nuts, lockwashers, and U-bolts



Ordering Information

CATALOG NUMBER	SPS	CABLE RANGE		DIMENSIONS IN INCHES		BOLT DIAMETER	
		MIN	MAX	L	W	PIPE	CABLE
UPK50-13	1/2	6 Str	2/0 STR	4	2 7/32	3/8	3/8
UPK50-21	1/2	1 Str	4/0 STR	4 1/8	2 7/32	3/8	3/8
UPK50-30	1/2	1/0 STR	300 MCM	4 1/4	2 7/32	3/8	3/8
UPK75-13	3/4	6 Str	2/0 STR	4 1/4	2 7/16	3/8	3/8
UPK75-21	3/4	1 Str	4/0 STR	4 3/8	2 7/16	3/8	3/8
UPK75-30	3/4	1/0 STR	300 MCM	4 1/2	2 7/16	3/8	3/8
UPK75-50	3/4	300 MCM	500 MCM	4 3/4	2 7/16	3/8	3/8
UPK100-13	1 Str	-	2/0 STR	4 1/4	2 11/16	3/8	3/8
UPK100-21	1 Str	1 Str	4/0 STR	4 3/8	2 11/16	3/8	3/8
UPK100-30	1 Str	1/0 STR	300 MCM	4 1/2	2 11/16	3/8	3/8
UPK100-50	1 Str	300 MCM	500 MCM	4 7/8	2 11/16	3/8	3/8
UPK100-80	1 Str	500 MCM	800 MCM	5 3/4	2 11/16	3/8	1/2
UPK125-13	1 1/4	6 Str	2/0 STR	4 3/8	3 1/2	3/8	3/8
UPK125-21	1 1/4	1 Str	4/0 STR	4 1/2	3 1/2	3/8	3/8
UPK125-30	1 1/4	1/0 STR	300 MCM	4 5/8	3 1/2	3/8	3/8
UPK125-50	1 1/4	300 MCM	500 MCM	4 7/8	3 1/2	3/8	3/8
UPK125-80	1 1/4	500 MCM	800 MCM	6 Str	3 1/2	1/2	1/2
UPK125-100	1 1/4	750 MCM	1000 MCM	6 1/4	3 1/2	1/2	1/2
UPK150-21	1 1/2	1 Str	4/0 STR	4 5/8	3 3/4	3/8	3/8
UPK150-30	1 1/2	1/0 STR	300 MCM	4 3/4	3 3/4	3/8	3/8
UPK150-50	1 1/2	300 MCM	500 MCM	5	3 3/4	3/8	3/8
UPK150-80	1 1/2	500 MCM	800 MCM	6 1/2	3 3/4	1/2	1/2
UPK150-100	1 1/2	750 MCM	1000 MCM	6 3/4	3 3/4	1/2	1/2
UPK200-21	2	1 Str	4/0 STR	4 5/8	4 3/16	3/8	3/8
UPK200-30	2	1/0 STR	300 MCM	4 3/4	4 3/16	3/8	3/8
UPK200-50	2	300 MCM	500 MCM	5	4 3/16	3/8	3/8
UPK200-80	2	500 MCM	800 MCM	6 3/4	4 3/16	1/2	1/2
UPK200-100	2	750 MCM	1000 MCM	6 3/4	4 3/16	1/2	1/2
UPK200-150	2	1000 MCM	1500 MCM	7 1/4	4 3/16	1/2	1/2
UPK250-21	2 1/2	1 Str	4/0 STR	4 5/8	4 11/16	3/8	3/8
UPK250-30	2 1/2	1/0 STR	300 MCM	4 3/4	4 11/16	3/8	3/8
UPK250-50	2 1/2	300 MCM	500 MCM	5	4 11/16	3/8	3/8
UPK250-80	2 1/2	500 MCM	800 MCM	6 1/2	4 11/16	1/2	1/2
UPK250-100	2 1/2	750 MCM	1000 MCM	6 3/4	4 11/16	1/2	1/2
UPK250-150	2 1/2	1000 MCM	1500 MCM	7 1/4	4 11/16	1/2	1/2
UPK300-30	3	1/0 STR	300 MCM	4 3/4	5 3/4	3/8	3/8
UPK300-50	3	300 MCM	500 MCM	5	5 3/4	3/8	3/8
UPK300-80	3	500 MCM	800 MCM	6 3/4	5 3/4	1/2	1/2
UPK300-100	3	750 MCM	1000 MCM	7	5 3/4	1/2	1/2
UPK300-150	3	1000 MCM	1500 MCM	7 1/4	5 3/4	1/2	1/2
UPK400-30	4	1/0 STR	300 MCM	4 3/4	6 3/4	3/8	3/8
UPK400-50	4	300 MCM	500 MCM	5	6 3/4	3/8	3/8
UPK400-80	4	500 MCM	800 MCM	6 3/4	6 3/4	1/2	1/2
UPK400-100	4	750 MCM	1000 MCM	7	6 3/4	1/2	1/2
UPK400-150	4	1000 MCM	1500 MCM	7 1/2	6 3/4	1/2	1/2
UPK400-200	4	1500 MCM	2000 MCM	8	6 3/4	1/2	1/2

DOSSERT® TYPE CF-N (NEMA Pad Sizes) Flexible Copper Braid

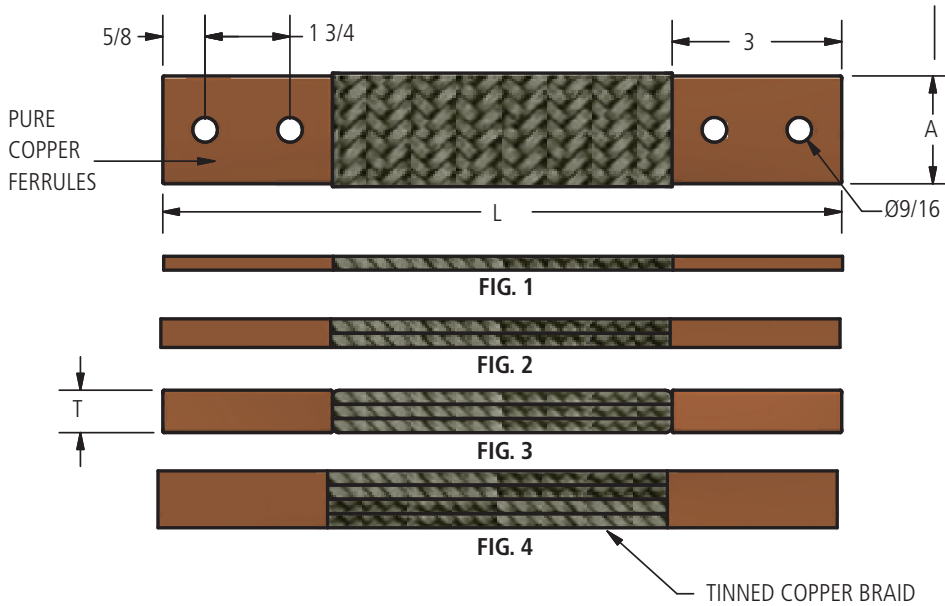
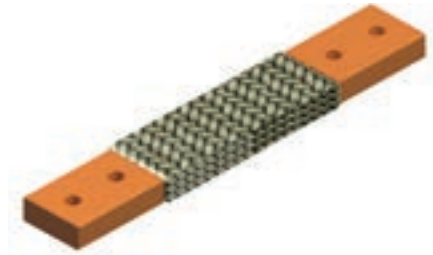
Flexible copper braid for linking conductors that are subject to motion. The braid is tin plated copper wire, terminated at each end by a non-plated copper pad.

Material

Copper Alloy

Notes

- Braid may be custom made for any configuration of length, pad size and hole diameter.
- For Electro Tin Plate, add suffix "-SN" to end of catalog number. Ex: CF771-10-N-SN
- For Undrilled Pad, add suffix "-U" to pad size in catalog number. Ex: CF772-16-N-U



Ordering Information

CATALOG NUMBER	FIG. NO.	INDOOR AMPERE RATING*	DIMENSIONS IN INCHES		
			A	L	T
CF 724-12-N	4	520	1 1/2	12	1/4
CF 771-10-N	1	190	1	10	3/16
CF 771-16-N	1	190	1	16	3/16
CF 771-18-N	1	190	1	18	3/16
CF 771-20-N	1	190	1	20	3/16
CF 771-24-N	1	190	1	24	3/16
CF 771-36-N	1	190	1	36	3/16
CF 772-16-N	2	330	1	16	1/4
CF 772-18-N	2	330	1	18	1/4
CF 772-20-N	2	330	1	20	1/4
CF 772-21-N	2	330	1	21	1/4
CF 772-24-N	2	330	1	24	1/4
CF 772-30-N	2	330	1	30	1/4
CF 773-15-N	3	470	1	15	5/16
CF 773-16-N	3	470	1	16	5/16
CF 773-18-N	3	470	1	18	5/16
CF 773-20-N	3	470	1	20	5/16
CF 773-24-N	3	470	1	24	5/16

*Note: A.C. Ampere ratings in still but confined air for maximum temperature rise 30°C above 40°C ambient with major surfaces of braid in horizontal position.

DOSSERT® TYPE CF-N (NEMA Pad Sizes) Flexible Copper Braid

Ordering Information

CATALOG NUMBER	FIG. NO.	INDOOR AMPERE RATING*	DIMENSIONS IN INCHES		
			A	L	T
CF 774-16-N	4	600	1	16	3/8
CF 774-18-N	4	600	1	18	3/8
CF 774-20-N	4	600	1	20	3/8
CF 774-24-N	4	600	1	24	3/8
CF 1051-16-N	1	255	1 1/2	16	5/32
CF 1051-18-N	1	255	1 1/2	18	5/32
CF 1051-20-N	1	255	1 1/2	20	5/32
CF 1051-24-N	1	255	1 1/2	24	5/32
CF 1052-16-N	2	360	1 1/2	16	7/32
CF 1052-18-N	2	360	1 1/2	18	7/32
CF 1052-20-N	2	360	1 1/2	20	7/32
CF 1052-24-N	2	360	1 1/2	24	7/32
CF 1053-16-N	3	570	1 1/2	16	9/32
CF 1053-18-N	3	570	1 1/2	18	9/32
CF 1053-20-N	3	570	1 1/2	20	9/32
CF 1053-24-N	3	570	1 1/2	24	9/32
CF 1054-16-N	4	650	1 1/2	16	11/32
CF 1054-18-N	4	650	1 1/2	18	11/32
CF 1054-20-N	4	650	1 1/2	20	11/32
CF 1054-24-N	4	650	1 1/2	24	11/32
CF 1541-16-N	1	340	1 1/2	16	3/16
CF 1541-18-N	1	340	1 1/2	18	3/16
CF 1541-20-N	1	340	1 1/2	20	3/16
CF 1541-24-N	1	340	1 1/2	24	3/16
CF 1542-16-N	2	530	1 1/2	16	1/4
CF 1542-18-N	2	530	1 1/2	18	1/4
CF 1542-20-N	2	530	1 1/2	20	1/4
CF 1542-24-N	2	530	1 1/2	24	1/4
CF 1542-25-N	2	530	1 1/2	25	1/4
CF 1542-36-N	2	530	1 1/2	36	1/4
CF 1543-16-N	3	700	1 1/2	16	5/16
CF 1543-18-N	3	700	1 1/2	18	5/16
CF 1543-20-N	3	700	1 1/2	20	5/16
CF 1543-21-N	3	700	1 1/2	21	5/16
CF 1543-23-N	3	700	1 1/2	23	5/16
CF 1543-24-N	3	700	1 1/2	24	5/16
CF 1544-16-N	4	850	1 1/2	16	13/32
CF 1544-16 1/2-N	4	850	1 1/2	16 1/2	13/32
CF 1544-18-N	4	850	1 1/2	18	13/32
CF 1544-20-N	4	850	1 1/2	20	13/32
CF 1544-24-N	4	850	1 1/2	24	13/32
CF 2301-16-N	1	360	1 1/2	16	1/4
CF 2301-18-N	1	360	1 1/2	18	1/4
CF 2301-20-N	1	360	1 1/2	20	1/4
CF 2301-24-N	1	360	1 1/2	24	1/4
CF 2301-30-N	1	360	1 1/2	30	1/4
CF 2302-9-N	2	600	1 1/2	9	3/8
CF 2302-16-N	2	600	1 1/2	16	3/8
CF 2302-18-N	2	600	1 1/2	18	3/8
CF 2302-20-N	2	600	1 1/2	20	3/8
CF 2302-24-N	2	600	1 1/2	24	3/8
CF 2302-25-N	2	600	1 1/2	25	3/8
CF 2302-30-N	2	600	1 1/2	30	3/8
CF 2303-15-N	3	820	1 1/2	15	1/2
CF 2303-16-N	3	820	1 1/2	16	1/2
CF 2303-18-N	3	820	1 1/2	18	1/2
CF 2303-20-N	3	820	1 1/2	20	1/2
CF 2303-22-N	3	820	1 1/2	22	1/2
CF 2303-24-N	3	820	1 1/2	24	1/2
CF 2303-25-N	3	820	1 1/2	25	1/2
CF 2304-15 1/2-N	4	1000	1 1/2	15 1/2	13/16
CF 2304-16-N	4	1000	1 1/2	16	13/16

*Note: A.C. Ampere ratings in still but confined air for maximum temperature rise 30°C above 40°C ambient with major surfaces of braid in horizontal position.

DOSSERT® TYPE CF-N (NEMA Pad Sizes) Flexible Copper Braid

Ordering Information

CATALOG NUMBER	FIG. NO.	INDOOR AMPERE RATING*	DIMENSIONS IN INCHES		
			A	L	T
CF 2304-18-N	4	1000	1 1/2	18	13/16
CF 2304-20-N	4	1000	1 1/2	20	13/16
CF 2304-24-N	4	1000	1 1/2	24	13/16
CF 2304-36-N	4	1000	1 1/2	36	13/16
CF 2304-42-N	4	1000	1 1/2	42	13/16
CF 3021-9 1/2-N	1	415	1 1/2	9 1/2	5/16
CF3021-14-N	1	415	1 1/2	14	5/16
CF 3021-16-N	1	415	1 1/2	16	5/16
CF 3021-18-N	1	415	1 1/2	18	5/16
CF 3021-20-N	1	415	1 1/2	20	5/16
CF 3201-24-N	1	415	1 1/2	24	5/16
CF 3021-27-N	1	415	1 1/2	27	5/16
CF 3022-9 3/4-N	2	700	1 1/2	9 3/4	1/2
CF 3022-10 1/2-N	2	700	1 1/2	10 1/2	1/2
CF 3022-14-N	2	700	1 1/2	14	1/2
CF 3022-16-N	2	700	1 1/2	16	1/2
CF 3022-18-N	2	700	1 1/2	18	1/2
CF 3022-20-N	2	700	1 1/2	20	1/2
CF 3022-24-N	2	700	1 1/2	24	1/2
CF 3022-30-N	2	700	1 1/2	30	1/2
CF 3022-60-N	2	700	1 1/2	60	1/2
CF 3023-16-N	3	960	1 1/2	16	13/16
CF 3023-18-N	3	960	1 1/2	18	13/16
CF 3023-20-N	3	960	1 1/2	20	13/16
CF 3023-24-N	3	960	1 1/2	24	13/16
CF 3024-14-N	4	1200	1 1/2	14	15/16
CF 3024-16-N	4	1200	1 1/2	16	15/16
CF 3024-18-N	4	1200	1 1/2	18	15/16
CF 3024-20-N	4	1200	1 1/2	20	15/16
CF 3024-24-N	4	1200	1 1/2	24	15/16
CF 3024-28-N	4	1200	1 1/2	28	15/16
CF 3024-29-N	4	1200	1 1/2	29	15/16
CF 3024-64-N	4	1200	1 1/2	64	15/16

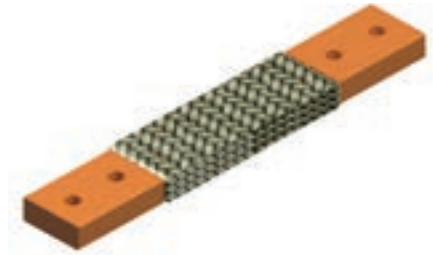
*Note: A.C. Ampere ratings in still but confined air for maximum temperature rise 30°C above 40°C ambient with major surfaces of braid in horizontal position.

Bronze Braided or Laminated Expansion

DOSSERT®

TYPE CF Flexible Copper Braid

Flexible copper braid for linking conductors that are subject to motion. The braid is tin plated copper wire, terminated at each end by a non-plated pad.

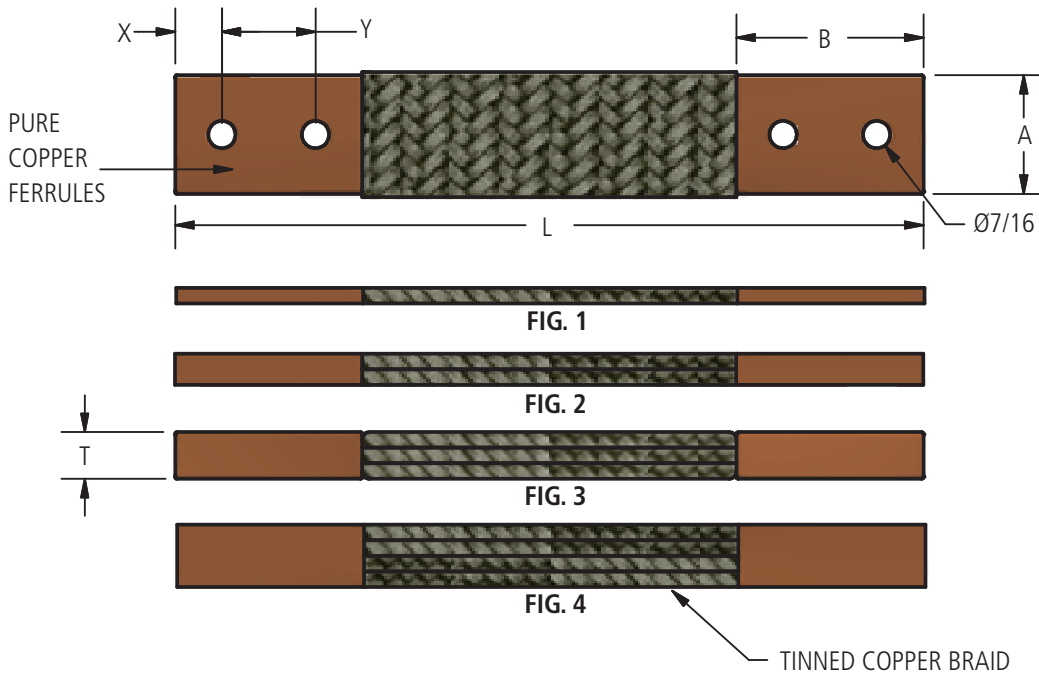


Material

Copper

Note

- Braid may be custom made for any configuration of length, pad size or hole diameter.
- For tin plated contact pads add suffix "-SN" to end of catalog number. Ex: CF771-SN
- For undrilled contact pads add suffix "-U" to end of catalog number. Ex: CF771-U
- For undrilled contact pads and tin plated pads, add suffix "-U-SN" to end of catalog number. Ex: CF771-U-SN



DOSSERT®

TYPE CF Flexible Copper Braid

Ordering Information

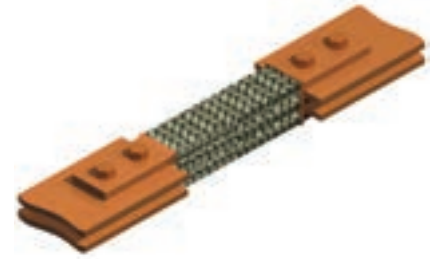
CATALOG NUMBER	CIRCULAR MIL AREA	FIGURE NO.	INDOOR AMPERE RATING*	DIMENSIONS IN INCHES					
				A	B	L	T	X	Y
CF771	76,800	1	190	1	2 5/8	12	3/16	11/16	1 1/4
CF771-7	76,800	1	190	1	2 5/8	7	3/16	11/16	1 1/4
CF771-10	76,800	1	190	1	2 5/8	10	3/16	11/16	1 1/4
CF771-11	76,800	1	190	1	2 5/8	11	3/16	11/16	1 1/4
CF771-15	76,800	1	190	1	2 5/8	15	3/16	11/16	1 1/4
CF771-18	76,800	1	190	1	2 5/8	18	3/16	11/16	1 1/4
CF771-20	76,800	1	190	1	2 5/8	20	3/16	11/16	1 1/4
CF771-24	76,800	1	190	1	2 5/8	24	3/16	11/16	1 1/4
CF771-36	76,800	1	190	1	2 5/8	36	3/16	11/16	1 1/4
CF772	153,600	2	330	1	2 5/8	12	1/4	11/16	1 1/4
CF772-10	153,600	2	330	1	2 5/8	10	1/4	11/16	1 1/4
CF772-18	153,600	2	330	1	2 5/8	18	1/4	11/16	1 1/4
CF773	230,400	3	470	1	2 5/8	12	5/16	11/16	1 1/4
CF774-14	230,400	4	600	1	2 5/8	14	5/16	11/16	1 1/4
CF774-16	230,400	4	600	1	2 5/8	16	5/16	11/16	1 1/4
CF774-19 21/32	230,400	4	600	1	2 5/8	19 21/32	5/16	11/16	1 1/4
CF774-24	230,400	4	600	1	2 5/8	24	5/16	11/16	1 1/4
CF1541	153,600	1	340	1 1/2	3	12	3/16	3/4	1 1/2
CF1541-18	153,600	1	340	1 1/2	3	18	3/16	3/4	1 1/2
CF1541-24	153,600	1	340	1 1/2	3	24	3/16	3/4	1 1/2
CF1542	307,200	2	530	1 1/2	3	12	1/4	3/4	1 1/2
CF1542-18	307,200	2	530	1 1/2	3	18	1/4	3/4	1 1/2
CF1542-22	307,200	2	530	1 1/2	3	22	1/4	3/4	1 1/2
CF1542-24	307,200	2	530	1 1/2	3	24	1/4	3/4	1 1/2
CF1543	460,800	3	700	1 1/2	3	12	5/16	3/4	1 1/2
CF1543-14	460,800	3	700	1 1/2	3	14	5/16	3/4	1 1/2
CF1543-14 1/2	460,800	3	700	1 1/2	3	14 1/2	5/16	3/4	1 1/2
CF1543-16	460,800	3	700	1 1/2	3	16	5/16	3/4	1 1/2
CF1543-18	460,800	3	700	1 1/2	3	18	5/16	3/4	1 1/2
CF1543-20	460,800	3	700	1 1/2	3	20	5/16	3/4	1 1/2
CF1543-24	460,800	3	700	1 1/2	3	24	5/16	3/4	1 1/2
CF1543-28	460,800	3	700	1 1/2	3	28	5/16	3/4	1 1/2
CF1543-30	460,800	3	700	1 1/2	3	30	5/16	3/4	1 1/2
CF1543-36	460,800	3	700	1 1/2	3	36	5/16	3/4	1 1/2
CF1544-10	616,000	4	850	1 1/2	3	10	13/32	3/4	1 1/2
CF2301	230,400	1	360	1 1/2	3	12	1/4	3/4	1 1/2
CF2301-18	230,400	1	360	1 1/2	3	18	1/4	3/4	1 1/2
CF2302	460,800	2	600	1 1/2	3	12	3/8	3/4	1 1/2
CF2303	691,200	3	820	1 1/2	3	12	1/2	3/4	1 1/2
CF2303-18	691,200	3	820	1 1/2	3	18	1/2	3/4	1 1/2
CF2303-20	691,200	3	820	1 1/2	3	20	1/2	3/4	1 1/2
CF2303-24	691,200	3	820	1 1/2	3	24	1/2	3/4	1 1/2
CF3021	302,400	1	415	1 1/2	3	12	5/16	3/4	1 1/2
CF3021-18	302,400	1	415	1 1/2	3	18	5/16	3/4	1 1/2
CF3021-24	302,400	1	415	1 1/2	3	24	5/16	3/4	1 1/2
CF3021-30	302,400	1	415	1 1/2	3	30	5/16	3/4	1 1/2
CF3022	604,800	2	700	1 1/2	3	12	1/2	3/4	1 1/2
CF3022-14	604,800	2	700	1 1/2	3	14	1/2	3/4	1 1/2
CF3022-19	604,800	2	700	1 1/2	3	19	1/2	3/4	1 1/2
CF3022-20	604,800	2	700	1 1/2	3	20	1/2	3/4	1 1/2
CF3022-24	604,800	2	700	1 1/2	3	24	1/2	3/4	1 1/2
CF3022-30	604,800	2	700	1 1/2	3	30	1/2	3/4	1 1/2
CF3023	907,200	3	960	1 1/2	3	12	11/16	3/4	1 1/2
CF3023-22	907,200	3	960	1 1/2	3	22	11/16	3/4	1 1/2
CF3023-24	907,200	3	960	1 1/2	3	24	11/16	3/4	1 1/2
CF3023-30	907,200	3	960	1 1/2	3	30	11/16	3/4	1 1/2
CF3024-48	1,209,600	4	1200	1 1/2	3	48	15/16	3/4	1 1/2

*Note: A.C. Ampere ratings in still but confined air for maximum temperature rise 30°C above 40°C ambient with major surfaces of braid in horizontal position.

DOSSERT®

TYPE CFC Flexible Copper Braid

Composite flexible copper braid for linking conductors that are subject to motion. The braid is tin plated copper wire, terminated at each end by a non-plated pad.

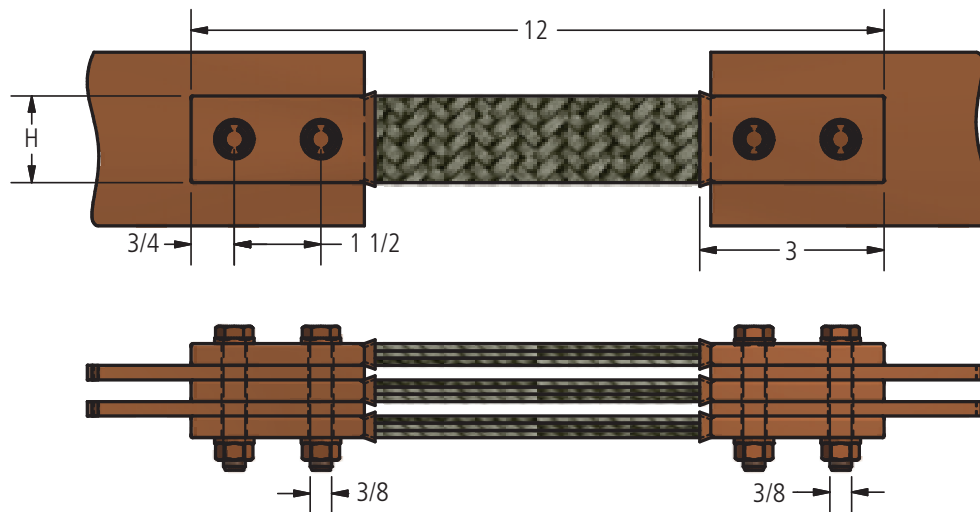


Material

Copper

Note

- Braid may be custom made for any configuration of length, pad size or hole diameter.
- For tin plated contact pads add suffix "-SN" to end of catalog number. Ex: CFC1-2-SN
- For undrilled contact pads add suffix "-U" to end of catalog number. Ex: CF771-U



Ordering Information

CATALOG NUMBER	NUMBER OF BARS	DIMENSIONS IN INCHES		INDOOR AMPERE RATING*
		WIDTH OF BARS	H	
CFC1-2	1	2	1 1/2	700
CFC1-3	1	3	1 1/2	1000
CFC1-4	1	4	1 1/2	1350
CFC1-5	1	5	1 1/2	1600
CFC2-2	2	2	2	1200
CFC2-3	2	3	2	1650
CFC2-4	2	4	2 1/2	2250
CFC2-5	2	5	2	2650
CFC3-2	3	2	2 1/2	1650
CFC3-3	3	3	2 1/2	2000
CFC3-4	3	4	2 3/4	2700
CFC3-5	3	5	2 1/2	3200
CFC4-2	4	2	2 1/2	1800
CFC4-3	4	3	2 3/4	2250
CFC4-4	4	4	3 1/2	3000
CFC4-5	4	5	3	3500

*Note: A.C. Ampere ratings in still but confined air for maximum temperature rise 30°C above 40°C ambient with major surfaces of braid in horizontal position.

DOSSERT®

TYPE LX

Copper Flexible Connector For Flat to Flat

Laminated of pure copper, this flexible connector permits expansion and contraction due to thermal changes. Bonded ends assure uniform contact surfaces. Variations other than shown can be readily supplied.

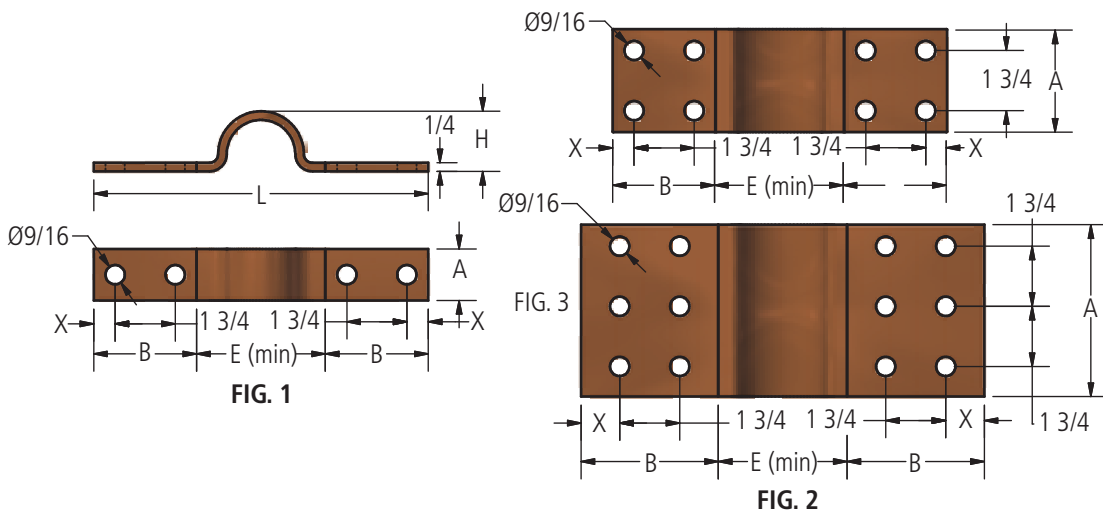


Material

Copper

Note

- Braid may be custom made for any configuration of length, pad size or hole diameter.
- For tin plated contact pads add suffix "-SN" to end of catalog number. Ex: LX200-SN
- For undrilled contact pads add suffix "-U" to end of catalog number. Ex: LX200-U



Ordering Information

CATALOG NUMBER	BAR WIDTH	INDOOR AMPERE RATING*	FIG. NO.	DIMENSIONS IN INCHES					
				A	B	E	H	L	X
LX100	1	366	1	1	3	2 1/4	1	8	5/8
LX150	1 1/2	500	1	1 1/2	3	2 1/2	1 1/2	8 1/2	5/8
LX200	2	647	1	2	3	3 1/2	1 1/2	9 1/2	5/8
LX250	2 1/2	810	1	2 1/2	3	3 3/4	1 3/4	9 3/4	5/8
LX300	3	973	2	3	3	4	1 3/4	10	5/8
LX400	4	1220	2	4	4	4	2	12	1 1/8
LX500	5	1460	3	5	4	4 1/4	2	12 1/4	1 1/8
LX600	6	1660	3	6	4	4 1/4	2 1/4	12 1/4	1 1/8

*Note: A.C. Ampere ratings in still but confined air for maximum temperature rise 30°C above 40°C ambient with major surfaces of braid in horizontal position.

DOSSERT® TYPE XC, XCP, XBP Copper Expansion Coupling

XC, XCP

An expansion connector for coupling two standard pipe size tubular buses.

XBP

An expansion connector for coupling a run to a tap. Pipe size may be same SPS, or varying.

Material

Copper Alloy

Alignment Guide

Copper Alloy

Hardware

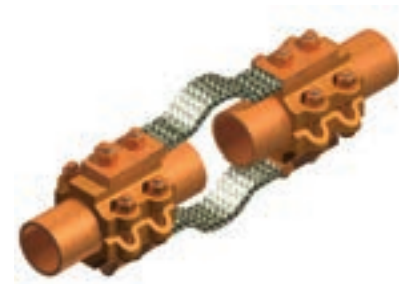
Everdur bolts, nuts, lockwashers and flat washers

Notes

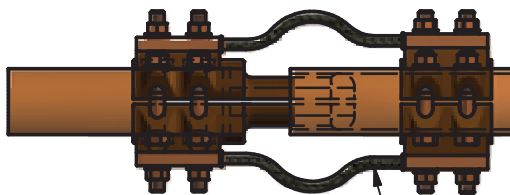
- For laminations add "L" to catalog number. Example: XCL100
- For extra heavy pipe size (Schedule 80), add (E) to pipe size. Example: XC100E
- If alignment guide is not required, add (P) to catalog number suffix. Example: XCP100



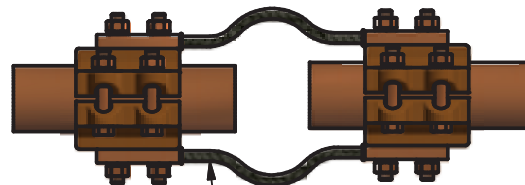
XC



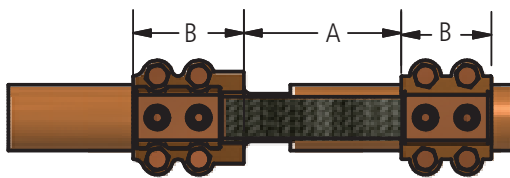
XCP



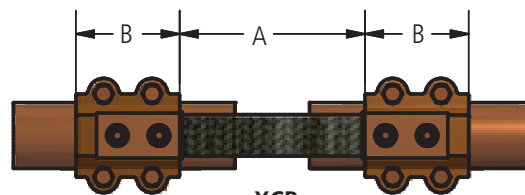
FLEXIBLE TINNED COPPER BRAID



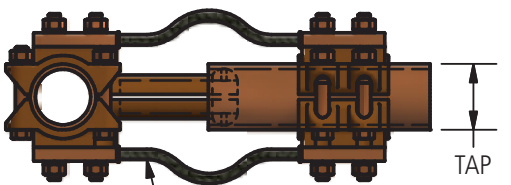
FLEXIBLE TINNED COPPER BRAID



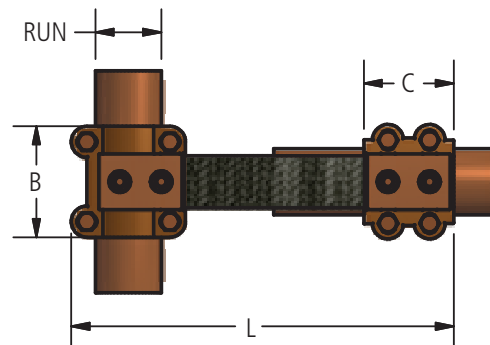
XC



XCP



FLEXIBLE TINNED COPPER BRAID



XBP

DOSSERT® TYPE XC, XCP, XBP Copper Expansion Coupling

Ordering Information for XC and XCP

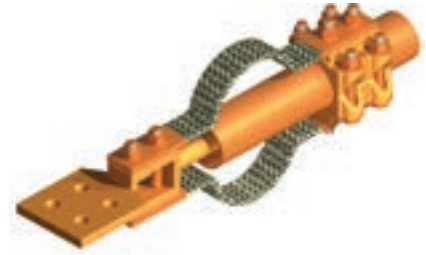
XC & XCP							
CATALOG NUMBER		SPS	A	B	C	L	BOLT SIZE
SCH 40	SCH 80						
XC50	XC50E	1/2	5 1/2	2 5/8	-	-	3/8
XC75	XC75E	3/4	5 1/2	3	-	-	3/8
XC100	XC100E	1	5 1/2	3	-	-	3/8
XC125	XC125E	1 1/4	5 1/2	3	-	-	1/2
XC150	XC150E	1 1/2	5 1/2	3 1/4	-	-	1/2
XC200	XC200E	2	6	3 1/4	-	-	1/2
XC250	XC250E	2 1/2	6	3 1/4	-	-	1/2
XC300	XC300E	3	6	3 3/4	-	-	5/8
XC350	XC350E	3 1/2	7	3 3/4	-	-	5/8
XC400	XC400E	4	7	4	-	-	5/8

Ordering Information for XBP

XBP							
CATALOG NUMBER		SPS		DIMENSIONS IN INCHES			BOLT SIZE
SCH 40	SCH 80	RUN	TAP	B	C	L	
XBP150-50	XBP150-50E	1 1/2	1/2	2 5/8	2 5/8	11	3/8
XBP200-50	XBP200-50E	2	1/2	3	2 5/8	11	3/8
XBP200-200	XBP200-200E	2	2	4	3 1/4	13 1/4	1/2
XBP250-125	XBP250-125E	2 1/2	1 1/4	4	3	13 1/4	1/2
XBP250-250	XBP250-250E	2 1/2	2 1/2	4	4	14 1/4	1/2
XBP300-300	XBP300-300E	3	3	4	4	14 5/8	5/8
XBP350-350	XBP350-350E	3 1/2	3 1/2	4	4	15	5/8
XBP400-400	XBP400-400E	4	4	4 3/8	4 3/8	15 3/4	5/8

DOSSERT® TYPE XL Terminal Expansion Pipe

An expansion terminal for connecting a standard pipe size tubular bus to flat conductor surfaces. Designed to permit free axial movement of the bus due to thermal expansion and contraction. High circular mil area of extra flexible linkages ensures cool operation under maximum load conditions. Pad dimensions and drilling other than shown below can be furnished upon request.

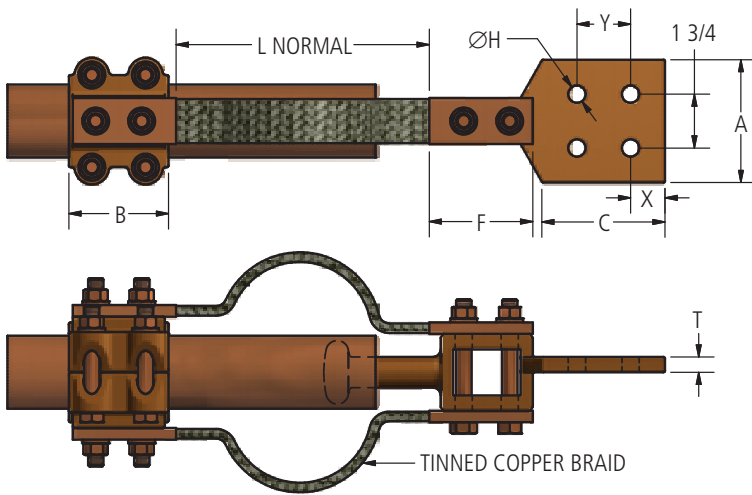


Material

Copper Alloy

Hardware

Everdur bolts, nuts, lock washers and washers



Bronze Braided or Laminated Expansion

Ordering Information

CATALOG NUMBER	SPS	DIMENSIONS IN INCHES										BOLT SIZE
			B	C	F	H	L	T	X	Y		
XL50-2	1/2	1 1/2	2 5/8	2 1/4	2 5/8	7/16	5	5/16	7/16	1 1/8	3/8	
XL50-2N	1/2	1 1/2	2 5/8	3 1/4	2 5/8	9/16	5	5/16	5/8	1 3/4	3/8	
XL75-2	3/4	1 1/2	3	2 1/4	3	7/16	6	3/8	1/2	1 1/4	3/8	
XL75-2N	3/4	1 1/2	3	3	3	9/16	6	3/8	5/8	1 3/4	3/8	
XL100-2	1	1 3/4	3 1/8	2 1/4	3	7/16	6 1/2	3/8	1/2	1 1/4	3/8	
XL100-2N	1	1 3/4	3 1/8	3	3	9/16	6 1/2	3/8	5/8	1 3/4	3/8	
XL100-4N	1	3	3 1/8	3	3	9/16	6 1/2	3/8	5/8	1 3/4	3/8	
XL100-4N4	1	4	3 1/8	4	3	9/16	6 1/2	3/8	1 1/8	1 3/4	3/8	
XL125-2N	1 1/4	2 1/2	3 1/4	3	3	9/16	6 1/2	7/16	5/8	1 3/4	1/2	
XL125-4N	1 1/4	3	3 1/4	3	3	9/16	6 1/2	7/16	5/8	1 3/4	1/2	
XL125-4N4	1 1/4	4	3 1/4	4	3	9/16	6 1/2	7/16	1 1/8	1 3/4	1/2	
XL150-2N	1 1/2	2 1/2	3 1/4	3	3	9/16	7	11/16	5/8	1 3/4	1/2	
XL150-4N	1 1/2	3	3 1/4	3	3	9/16	7	11/16	5/8	1 3/4	1/2	
XL150-4N4	1 1/2	4	3 1/4	4	3	9/16	7	11/16	1 1/8	1 3/4	1/2	
XL200-2N	2	2 3/4	3 1/4	3	3	9/16	7	1/2	5/8	1 3/4	1/2	
XL200-4N	2	3	3 1/4	3	3	9/16	7	1/2	5/8	1 3/4	1/2	
XL200-4N4	2	4	3 1/4	4	3	9/16	7	1/2	1 1/8	1 3/4	1/2	
XL250-2N	2 1/2	2 3/4	3 1/4	3	3	9/16	7	11/16	5/8	1 3/4	1/2	
XL250-4N	2 1/2	3 3/4	3 1/4	3	3	9/16	7	11/16	5/8	1 3/4	1/2	
XL250-4N4	2 1/2	4	3 1/4	4	3	9/16	7	11/16	1 1/8	1 3/4	1/2	
XL300-4N	3	4	3 1/4	3	3 1/4	9/16	7	11/16	5/8	1 3/4	5/8	
XL300-4N4	3	4	3 1/4	4	3 1/4	9/16	7	11/16	1 1/8	1 3/4	5/8	
XL350-4N	3 1/2	4	4 3/8	3	3 1/4	9/16	7	13/16	5/8	1 3/4	5/8	
XL350-4N4	3 1/2	4	4 3/8	4	3 1/4	9/16	7	13/16	1 1/8	1 3/4	5/8	
XL400-4N	4	4	4 3/8	3	3 1/4	9/16	7	13/16	5/8	1 3/4	5/8	
XL400-4N4	4	4	4 3/8	4	3 1/4	9/16	7	13/16	1 1/8	1 3/4	5/8	
XL500-4N	5	5	4 7/8	3	4 7/8	9/16	9	7/8	5/8	1 3/4	5/8	
XL500-4N4	5	4	4 7/8	4	4 7/8	9/16	9	7/8	1 1/8	1 3/4	5/8	
XL600-4N	6	5	5	3	5	9/16	9	7/8	5/8	1 3/4	5/8	
XL600-4N4	6	4	5	4	5	9/16	9	7/8	1 1/8	1 3/4	5/8	

DOSSERT®

TYPE XTP

Copper Flexible Connector For Tubular Bus To Flat

A clamp type connector with a flexible copper laminated member for joining the tubular clamp to a flat bus, plate or stud. Permits free axial movement of the conductors.

Material

Copper Alloy

Lamination Material

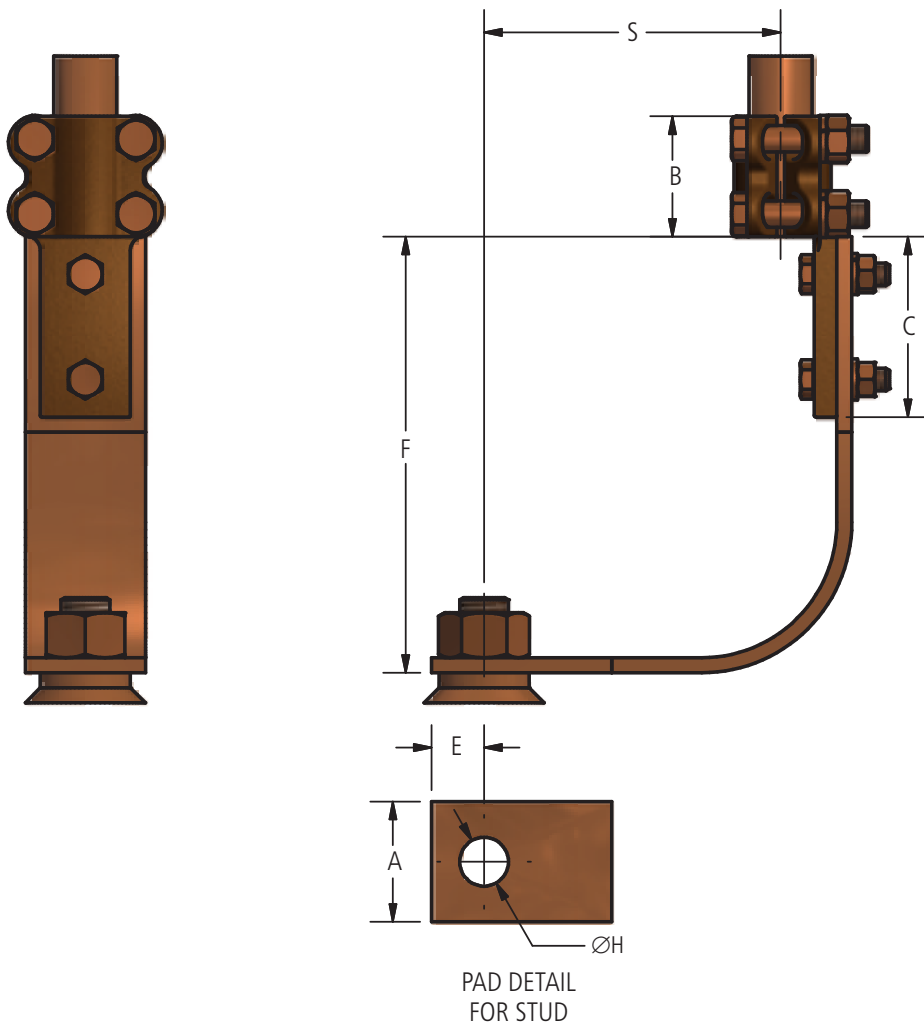
Copper

Hardware

Everdur bolts, nuts, lockwashers, and flat washers



Bronze Braided or Laminated Expansion





Bronze Braided or Laminated Expansion

DOSSERT®

TYPE XTP

Copper Flexible Connector For Tubular Bus To Flat

Ordering Information

CATALOG NUMBER	SPS	STUD DIAMETER	NUMBER OF LAMINATED GROUPS	DIMENSIONS IN INCHES							BOLT SIZE
				A	B	C	E	F	H	S	
XTP25-63	1/3	5/8	1	1 1/4	2	1 7/8	11/16	5 1/2	11/16	4 1/2	3/8
XTP38-63	3/7	5/8	1	1 1/4	2	1 7/8	11/16	5 3/4	11/16	4 3/4	3/8
XTP50-63	1/1	5/8	1	1 1/2	2	2 1/4	11/16	6	11/16	5	3/8
XTP75-63	3/3	5/8	1	1 3/4	2	2 1/4	11/16	6 1/4	11/16	5 1/4	3/8
XTP50-75	1/1	3/4	1	1 1/2	2	2 1/4	7/8	6 1/4	13/16	5 1/4	3/8
XTP75-75	3/3	3/4	1	1 3/4	2	2 1/4	7/8	7	13/16	6	3/8
XTP100-75	1	3/4	1	1 3/4	2 1/8	2 1/4	7/8	8 1/4	13/16	6 3/4	3/8
XTP125-75	1 1/4	3/4	2	2 1/4	2 1/2	3	7/8	8 1/2	13/16	7 1/4	1/2
XTP75-88	3/3	7/8	1	1 3/4	2	2 1/4	1	7	15/16	6	3/8
XTP100-88	1	7/8	1	1 3/4	2 1/8	2 1/4	1	8 1/4	15/16	6 3/4	3/8
XTP125-88	1 1/4	7/8	2	2 1/4	2 1/2	3	1	8 1/2	15/16	7 1/4	1/2
XTP150-88	1 1/2	7/8	2	2 1/4	2 5/8	3 1/4	1	9 1/4	15/16	8	1/2
XTP75-100	3/3	1	1	1 3/4	2	2 1/4	1 1/16	7	1 1/16	6	3/8
XTP100-100	1	1	1	1 3/4	2 1/8	2 1/4	1 1/16	8 1/4	1 1/16	6 3/4	3/8
XTP125-100	1 1/4	1	2	2 1/4	2 1/2	3	1 1/16	8 1/2	1 1/16	7 1/4	1/2
XTP150-100	1 1/2	1	2	2 1/4	2 5/8	3 1/4	1 1/16	9 1/4	1 1/16	8	1/2
XTP75-112	3/3	1 1/8	1	2	2	2 1/4	1 3/16	7	1 3/16	6	3/8
XTP100-112	1	1 1/8	1	2	2 1/8	2 1/4	1 3/16	8 1/4	1 3/16	6 3/4	3/8
XTP125-112	1 1/4	1 1/8	2	2 1/4	2 1/2	3	1 3/16	8 1/2	1 3/16	7 1/4	1/2
XTP150-112	1 1/2	1 1/8	2	2 1/2	2 5/8	3 1/4	1 5/16	9 1/4	1 3/16	8	1/2
XTP100-125	1	1 1/4	1	2 1/4	2 1/8	2 1/4	1 5/16	8 1/4	1 5/16	6 3/4	3/8
XTP125-125	1 1/4	1 1/4	2	2 1/4	2 1/2	3	1 5/16	8 1/2	1 5/16	7 1/4	1/2
XTP150-125	1 1/2	1 1/4	2	2 1/2	2 5/8	3 1/4	1 7/16	9 1/4	1 5/16	8	1/2
XTP200-125	2	1 1/4	2	2 3/4	2 3/4	3 1/4	1 7/16	10	1 5/16	8 3/4	1/2
XTP100-150	1	1 1/2	1	2 1/2	2 1/8	2 1/4	1 7/16	8 1/4	1 9/16	6 3/4	3/8
XTP125-150	1 1/4	1 1/2	2	2 1/2	2 1/2	3	1 7/16	8 1/2	1 9/16	7 1/4	1/2
XTP150-150	1 1/2	1 1/2	2	2 3/4	2 5/8	3 1/4	1 7/16	9 1/4	1 9/16	8	1/2
XTP200-150	2	1 1/2	2	3 1/4	2 3/4	3 1/4	1 9/16	10	1 9/16	8 3/4	1/2

Bronze Braided or Laminated Expansion

DOSSERT®

TYPE XTS

Copper Flexible Connector For Tubular Bus To Flat

A clamp type connector terminating a tubular bus to a flat bus, plate or stud through a flexible copper strap. The flexible copper strap absorbs operating vibrations and permits free axial movement of the tubular bus.



Material

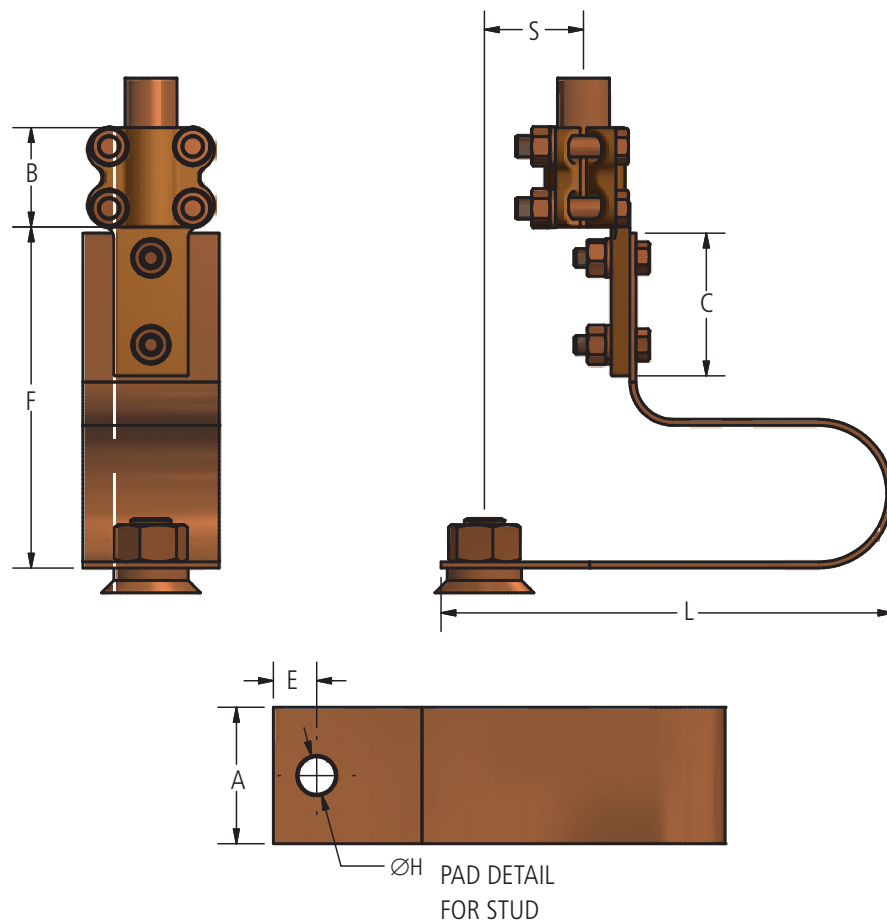
Copper Alloy

Lamination Material

Copper Alloy

Hardware

Everdur bolts, nuts and lockwashers



Bronze Braided or Laminated Expansion

DOSSERT®

TYPE XTS

Copper Flexible Connector For Tubular Bus To Flat

Ordering Information

CATALOG NUMBER	SPS	STUD DIAMETER	NUMBER OF STRAPS	DIMENSIONS IN INCHES								BOLT SIZE
				A	B	C	E	F	H	L	S	
XTS25-63	1/4	5/8	1	1 1/2	2	1 7/8	11/16	6 1/2	11/16	6 5/8	1 3/8	3/8
XTS38-63	3/8	5/8	1	2	2	1 7/8	11/16	6 1/2	11/16	6 3/4	1 3/8	3/8
XTS50-63	1/2	5/8	1	2 1/4	2	2 1/4	11/16	7	11/16	7 3/8	1 1/2	3/8
XTS75-63	3/4	5/8	1	2 3/4	2	2 1/4	11/16	7	11/16	7 5/8	1 3/8	3/8
XTS50-75	1/2	3/4	1	2 1/4	2	2 1/4	7/8	7	13/16	7 5/8	1 1/2	3/8
XTS75-75	3/4	3/4	1	4	2	2 1/4	7/8	7	13/16	8 1/4	1 3/8	3/8
XTS100-75	1	3/4	1	3	2 1/8	2 1/4	7/8	7	13/16	8 3/4	1 1/4	3/8
XTS125-75	1 1/4	3/4	2	2 1/2	2 1/2	3	7/8	7	13/16	9 1/4	1 1/16	1/2
XTS75-88	3/4	7/8	1	2 3/4	2	2 1/4	1	7 3/8	15/16	8 1/4	1 3/8	3/8
XTS100-88	1	7/8	1	3	2 1/8	2 1/4	1	7 3/8	15/16	8 3/4	1 1/4	3/8
XTS125-88	1 1/4	7/8	2	2 1/2	2 1/2	3	1	7 3/8	15/16	9 1/4	1 1/16	1/2
XTS150-88	1 1/2	7/8	2	3	2 5/8	3 1/4	1	7 3/8	15/16	9 3/4	15/16	1/2
XTS75-100	3/4	1	1	2 3/4	2	2 1/4	1 1/16	7 5/8	1 1/16	8 1/4	1 3/8	3/8
XTS100-100	1	1	1	3	2 1/8	2 1/4	1 1/16	7 5/8	1 1/16	8 3/4	1 1/4	3/8
XTS125-100	1 1/4	1	2	2 1/2	2 1/2	3	1 1/16	7 5/8	1 1/16	9 1/4	1 1/16	1/2
XTS150-100	1 1/2	1	2	3	2 5/8	3 1/4	1 1/16	7 5/8	1 1/16	9 3/4	15/16	1/2
XTS75-112	3/4	1 1/8	1	2 3/4	2	2 1/4	1 3/16	7 7/8	1 3/16	8 1/4	1 3/8	3/8
XTS100-112	1	1 1/8	1	3	2 1/8	2 1/4	1 3/16	7 7/8	1 3/16	8 3/4	1 1/4	3/8
XTS125-112	1 1/4	1 1/8	2	2 1/2	2 1/2	3	1 3/16	7 7/8	1 3/16	9 1/4	1 1/16	1/2
XTS150-112	1 1/2	1 1/8	2	3	2 5/8	3 1/4	1 5/16	7 7/8	1 3/16	9 3/4	15/16	1/2
XTS100-125	1	1 1/4	1	3	2 1/8	2 1/4	1 5/16	8 1/8	1 5/16	8 3/4	1 1/4	3/8
XTS125-125	1 1/4	1 1/4	2	2 1/2	2 1/2	3	1 5/16	8 1/8	1 5/16	9 1/4	1 1/16	1/2
XTS150-125	1 1/2	1 1/4	2	3	2 5/8	3 1/4	1 7/16	8 1/8	1 5/16	9 3/4	15/16	1/2
XTS200-125	2	1 1/4	2	3 1/2	2 3/4	3 1/4	1 7/16	8 1/8	1 5/16	10 1/4	3/4	1/2
XTS100-150	1	1 1/2	1	3	2 1/8	2 1/4	1 7/16	8 3/8	1 9/16	8 3/4	1 1/4	3/8
XTS125-150	1 1/4	1 1/2	2	2 1/2	2 1/2	3	1 7/16	8 3/8	1 9/16	9 1/4	1 1/16	1/2
XTS150-150	1 1/2	1 1/2	2	3	2 5/8	3 1/4	1 7/16	8 3/8	1 9/16	9 3/4	15/16	1/2
XTS200-150	2	1 1/2	2	3 1/2	2 3/4	3 1/4	1 9/16	8 3/8	1 9/16	10 1/4	3/4	1/2

Bronze Braided or Laminated Expansion

DOSSERT[®] TYPE XTSS, XTSS-N

Copper Flexible Connector For Tubular Bus To Flat

XTSS is used where stud and the tube positioning will not permit any extensive offset. The semi-flexible loop of copper strapping allows for movement caused by the expansion and contraction of conductor members.



Material

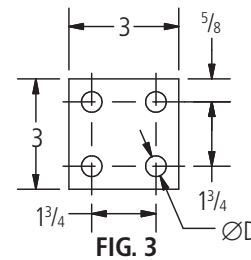
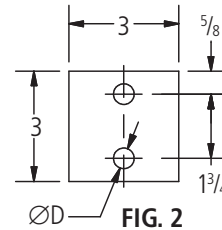
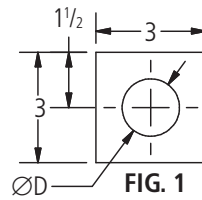
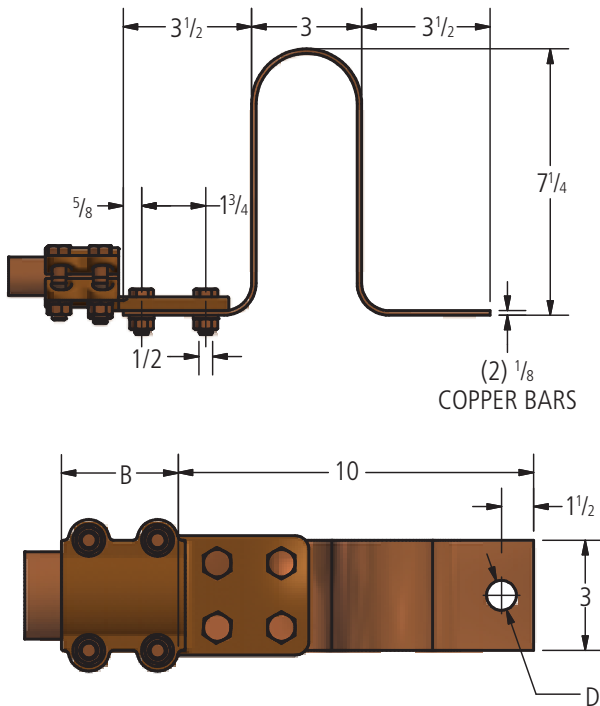
Copper Alloy

Hardware

Everdur nuts, bolts and lock washers.

Lamination Material

Copper



Ordering Information

CATALOG NUMBER	SPS	FIG. NO.	DIMENSIONS IN INCHES		BOLT SIZE
			B	D	
XTSS100-150	1	1	2	1 9/16	3/8
XTSS100-2N	1	2	2	9/16	3/8
XTSS100-4N	1	3	2	9/16	3/8
XTSS125-150	1 1/4	1	2 5/8	1 9/16	1/2
XTSS125-2N	1 1/4	2	2 5/8	9/16	1/2
XTSS125-4N	1 1/4	3	2 5/8	9/16	1/2
XTSS150-150	1 1/2	1	2 5/8	1 9/16	1/2
XTSS150-175	1 1/2	1	2 5/8	1 13/16	1/2
XTSS150-2N	1 1/2	2	2 5/8	9/16	1/2
XTSS150-4N	1 1/2	3	2 5/8	9/16	1/2
XTSS200-150	2	1	2 3/4	1 9/16	1/2
XTSS200-2N	2	2	2 3/4	9/16	1/2
XTSS200-4N	2	3	2 3/4	9/16	1/2

DOSSERT® TYPE BCV-S Tee Connector

A heavy duty cable run to cable tap tee connector. Handles a wide range of conductor sizes in each clamping position.

Material

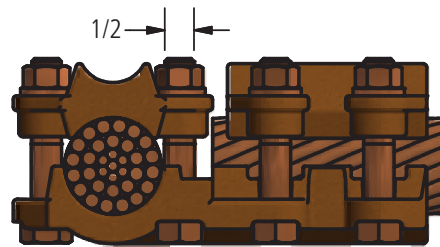
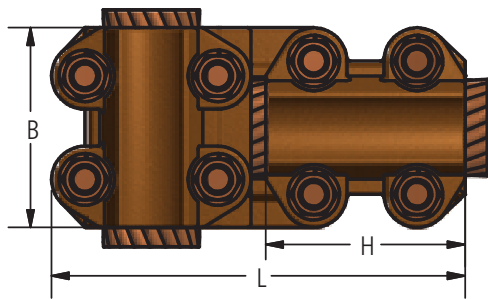
Copper Alloy

Hardware

Everdur bolts, nuts and lockwashers

Notes

- For Electro Tin plate, add "-SN" to Catalog Number EX: BCV50-25-S-SN



Ordering Information

CATALOG NUMBER	CABLE RANGE RUN				CABLE RANGE TAP				DIMENSIONS IN INCHES		
	SMALL GROOVE		LARGE GROOVE		SMALL GROOVE		LARGE GROOVE		B	H	L
	MIN	MAX	MIN	MAX	MIN	MAX	MIN	MAX			
BCV13-13-S	-	-	6 SOL	2/0 STR	-	-	6 SOL	2/0 STR	2	2	3 3/16
BCV50-25-S	1/0 SOL	250 MCM	250 MCM	500 MCM	-	-	4 SOL	250 MCM	2 5/8	2 3/4	5 9/16
BCV50-50-S	1/0 SOL	250 MCM	250 MCM	500 MCM	1/0 SOL	250 MCM	250 MCM	500 MCM	2 5/8	2 5/8	5 7/16
BCV60-60-S	#4 SOL	3/0 STR	4/0 STR	600 MCM	#4 SOL	3/0 STR	4/0 STR	600 MCM	2 3/4	2 3/4	5 5/8
BCV80-25-S	2/0 SOL	450 MCM	500 MCM	800 MCM	-	-	4 SOL	250 MCM	2 7/8	2 3/4	5 13/16
BCV80-80-S	2/0 STR	450 MCM	500 MCM	800 MCM	2/0 STR	450 MCM	500 MCM	800 MCM	2 7/8	2 7/8	5 15/16
BCV100-25-S	4/0 SOL	400 MCM	450 MCM	1000 MCM	-	-	4 SOL	250 MCM	2 7/8	2 3/4	5 7/8
BCV100-50-S	4/0 SOL	400 MCM	450 MCM	1000 MCM	1/0 SOL	250 MCM	250 MCM	500 MCM	2 7/8	2 5/8	5 3/4
BCV100-100-S	4/0 SOL	400 MCM	450 MCM	1000 MCM	4/0 SOL	400 MCM	450 MCM	1000 MCM	2 7/8	2 7/8	6
BCV100-80-S	4/0 SOL	400 MCM	450 MCM	1000 MCM	2/0 STR	450 MCM	500 MCM	800 MCM	2 7/8	2 7/8	6
BCV150-25-S	250 MCM	750 MCM	800 MCM	1500 MCM	-	-	4 SOL	250 MCM	3 3/8	2 3/4	5 1/2
BCV150-100-S	250 MCM	750 MCM	800 MCM	1500 MCM	4/0 SOL	400 MCM	450 MCM	1000 MCM	3 3/8	2 7/8	6 1/4
BCV150-150-S	250 MCM	750 MCM	800 MCM	1500 MCM	250 MCM	750 MCM	800 MCM	1500 MCM	3 3/8	3 3/8	6 3/4
BCV150-200-S	250 MCM	750 MCM	800 MCM	1500 MCM	500 MCM	1250 MCM	1500 MCM	2000 MCM	3 3/8	3 3/8	6 3/4
BCV200-25-S	500 MCM	1250 MCM	1500 MCM	2000 MCM	-	-	4 SOL	250 MCM	3 3/8	2 3/4	6 3/8
BCV200-50-S	500 MCM	1250 MCM	1500 MCM	2000 MCM	1/0 SOL	250 MCM	250 MCM	500 MCM	3 3/8	2 5/8	6 1/4
BCV200-200-S	500 MCM	1250 MCM	1500 MCM	2000 MCM	500 MCM	1250 MCM	1500 MCM	2000 MCM	3 3/8	3 3/8	7
BCV250-150-S	1000 MCM	1500 MCM	1750 MCM	2500 MCM	250 MCM	750 MCM	800 MCM	1500 MCM	3 3/8	3 3/8	7 1/4

DOSSERT®

TYPE BP, BPA-75, BPA-80 Standard, 75 degree and 80 degree Tee Connector

A two piece all copper tee connector designed for maximum efficiency and reliability.

Material

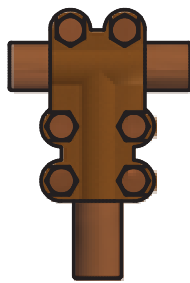
Copper Alloy

Hardware

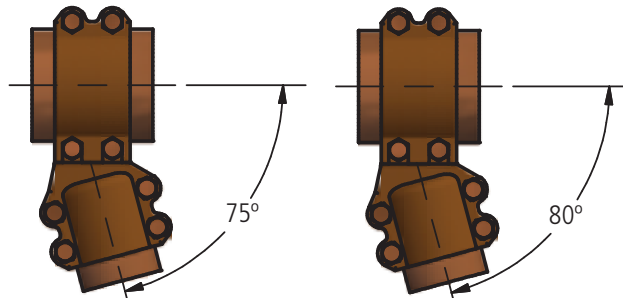
Everdur bolts, nuts and lockwashers



BP

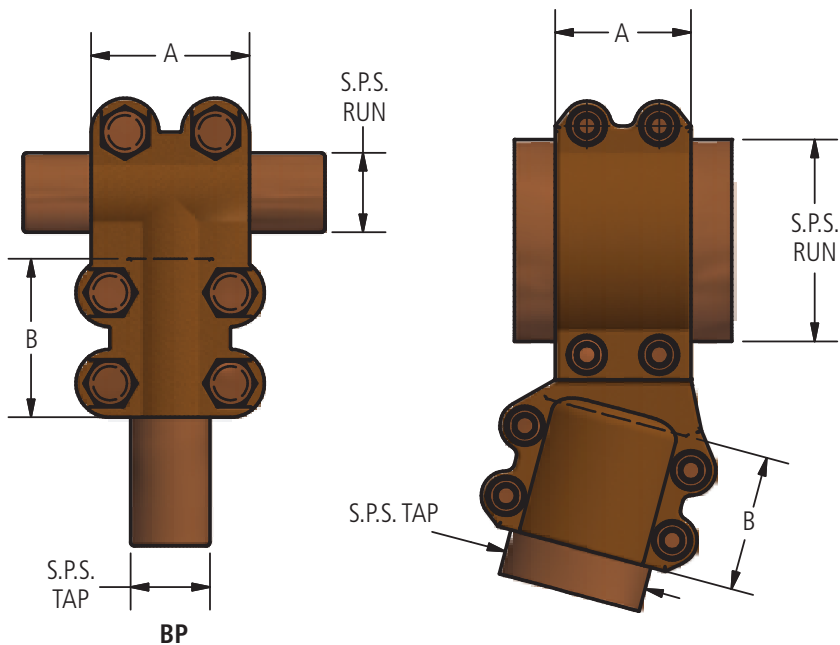


BP



BPA-75

BPA-80



BP

Bronze Elbows Tee & Vee Connectors



Bronze Elbows Tee & Vee Connectors

DOSSERT®

TYPE BP, BPA-75, BPA-80

Standard, 75 degree and 80 degree Tee Connector

Ordering Information

STANDARD	CATALOG NUMBER		SPS		DIMENSIONS IN INCHES		BOLT SIZE
	75 DEG	80 DEG	RUN	TAP	A	B	
BP100-75	BPA100-75-75	BPA100-75-80	1	3/4	2-3/4	2-3/4	1/2
BP100-100	BPA100-100-75	BPA100-100-80	1	1	2-3/4	2-3/4	1/2
BP125-75	BPA125-75-75	BPA125-75-80	1-1/4	3/4	3	2-3/4	1/2
BP125-100	BPA125-100-75	BPA125-100-80	1-1/4	1	3	2-3/4	1/2
BP125-125	BPA125-125-75	BPA125-125-80	1-1/4	1-1/4	3	3	1/2
BP150-100	BPA150-100-75	BPA150-100-80	1-1/2	1	3	2-3/4	1/2
BP150-125	BPA150-125-75	BPA150-125-80	1-1/2	1-1/4	3	3	1/2
BP150-150	BPA150-150-75	BPA150-150-80	1-1/2	1-1/2	3	3	1/2
BP200-100	BPA200-100-75	BPA200-100-80	2	1	3-1/4	2-3/4	1/2
BP200-125	BPA200-125-75	BPA200-125-80	2	1-1/4	3-1/4	3	1/2
BP200-150	BPA200-150-75	BPA200-150-80	2	1-1/2	3-1/4	3	1/2
BP200-200	BPA200-200-75	BPA200-200-80	2	2	3-1/4	3-1/4	1/2
BP250-100	BPA250-100-75	BPA250-100-80	2-1/2	1	3-1/4	2-3/4	1/2
BP250-125	BPA250-125-75	BPA250-125-80	2-1/2	1-1/4	3-1/4	3	1/2
BP250-150	BPA250-150-75	BPA250-150-80	2-1/2	1-1/2	3-1/4	3	1/2
BP250-200	BPA250-200-75	BPA250-200-80	2-1/2	2	3-1/4	3-1/4	1/2
BP250-250	BPA250-250-75	BPA250-250-80	2-1/2	2-1/2	3-1/4	3-1/4	1/2
BP300-100	BPA300-100-75	BPA300-100-80	3	1	3-1/4	2-3/4	1/2
BP300-125	BPA300-125-75	BPA300-125-80	3	1-1/4	3-1/4	3	1/2
BP300-150	BPA300-150-75	BPA300-150-80	3	1-1/2	3-1/4	3	1/2
BP300-200	BPA300-200-75	BPA300-200-80	3	2	3-1/4	3-1/4	1/2
BP300-250	BPA300-250-75	BPA300-250-80	3	2-1/2	3-1/4	3-1/4	1/2
BP300-300	BPA300-300-75	BPA300-300-80	3	3	3-3/4	3-3/4	5/8
BP350-100	BPA350-100-75	BPA350-100-80	3-1/2	1	3-1/4	2-3/4	1/2
BP350-125	BPA350-125-75	BPA350-125-80	3-1/2	1-1/4	3-1/4	3	1/2
BP350-150	BPA350-150-75	BPA350-150-80	3-1/2	1-1/2	3-1/4	3	1/2
BP350-200	BPA350-200-75	BPA350-200-80	3-1/2	2	3-1/4	3-1/4	1/2
BP350-250	BPA350-250-75	BPA350-250-80	3-1/2	2-1/2	3-3/4	3-3/4	5/8
BP350-300	BPA350-300-75	BPA350-300-80	3-1/2	3	3-3/4	3-3/4	5/8
BP350-350	BPA350-350-75	BPA350-350-80	3-1/2	3-1/2	3-3/4	3-3/4	5/8
BP400-125	BPA400-125-75	BPA400-125-80	4	1-1/4	3-1/4	3	1/2
BP400-150	BPA400-150-75	BPA400-150-80	4	1-1/2	3-1/4	3	1/2
BP400-200	BPA400-200-75	BPA400-200-80	4	2	3-1/4	3-1/4	1/2
BP400-250	BPA400-250-75	BPA400-250-80	4	2-1/2	3-1/4	3-1/4	1/2
BP400-300	BPA400-300-75	BPA400-300-80	4	3	3-3/4	3-3/4	5/8
BP400-350	BPA400-350-75	BPA400-350-80	4	3-1/2	3-3/4	3-3/4	5/8
BP400-400	BPA400-400-75	BPA400-400-80	4	4	3-3/4	3-3/4	5/8
BP500-150	BPA500-150-75	BPA500-150-80	5	1-1/2	3-1/2	3	1/2
BP500-200	BPA500-200-75	BPA500-200-80	5	2	3-1/2	3-1/4	1/2
BP500-250	BPA500-250-75	BPA500-250-80	5	2-1/2	3-1/2	3-1/4	1/2
BP500-300	BPA500-300-75	BPA500-300-80	5	3	4	3-3/4	5/8
BP500-350	BPA500-350-75	BPA500-350-80	5	3-1/2	4	3-3/4	5/8
BP500-400	BPA500-400-75	BPA500-400-80	5	4	4	3-3/4	5/8
BP500-500	BPA500-500-75	BPA500-500-80	5	5	4	4	5/8
BP600-250	BPA600-250-75	BPA600-250-80	6	2-1/2	3-1/2	3-1/2	1/2
BP600-300	BPA600-300-75	BPA600-300-80	6	3	4	3-3/4	5/8
BP600-350	BPA600-350-75	BPA600-350-80	6	3-1/2	4	3-3/4	5/8
BP600-400	BPA600-400-75	BPA600-400-80	6	4	4	3-3/4	5/8
BP600-500	BPA600-500-75	BPA600-500-80	6	5	4	4	5/8
BP600-600	BPA600-600-75	BPA600-600-80	6	6	4	4	5/8

Bronze Elbows
Tee & Vee Connectors

DOSSERT®

TYPE BPCV-S, BP2CV-S

Copper Tee Connector For Tubular Bus To A Cable Tap

A variable tap pipe to cable tee connector. Cable clamping section is provided with two independently acting high strength bronze saddles.

Material

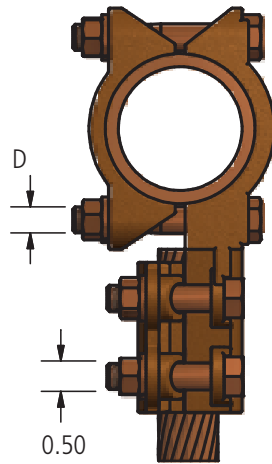
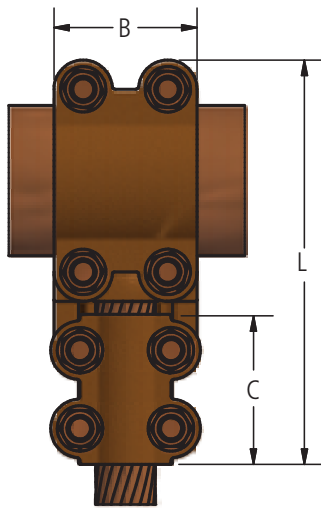
Copper Alloy

Hardware

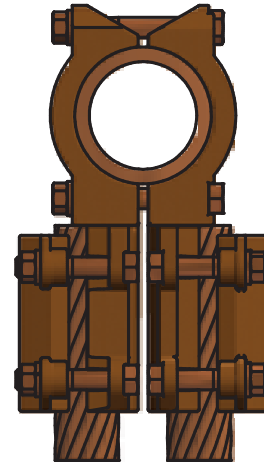
Everdur bolts, nuts and lockwashers

Notes

- For tin plating add "-SN" to end of catalog number
- For tee connector 1" SPS pipe run and 300kcmil 2 cable tap, and tin plated order: BP2CV100-30-SN



BPCV-S



BP2CV-S

DOSSERT®

TYPE BPCV-S, BP2CV-S

Copper Tee Connector For Tubular Bus To A Cable Tap

Ordering Information

CATALOG NUMBER		SPS	CABLE RANGE		DIMENSIONS IN INCHES			
SINGLE CABLE	TWO CABLES		MIN	MAX	B	C	L	D
BPCV50-25-S	BP2CV50-25-S	1/2	#4 SOL	250 MCM	2.50	2.75	5.63	0.50
BPCV50-50-S	BP2CV50-50-S	1/2	1/0 SOL	500 MCM	2.50	2.63	5.69	0.50
BPCV75-25-S	BP2CV75-25-S	3/4	#4 SOL	250 MCM	2.63	2.63	5.69	0.50
BPCV75-50-S	BP2CV75-50-S	3/4	1/0 SOL	500 MCM	2.63	2.75	5.81	0.50
BPCV100-50-S	BP2CV100-50-S	1	1/0 SOL	500 MCM	2.63	2.75	5.94	0.50
BPCV100-80-S	BP2CV100-80-S	1	2/0 SOL	800 MCM	2.63	2.88	6.19	0.50
BPCV100-100-S	BP2CV100-100-S	1	4/0 SOL	1000 MCM	2.63	2.88	6.19	0.50
BPCV100-200-S	BP2CV100-200-S	1	500 MCM	2000 MCM	2.63	3.38	7.00	0.50
BPCV125-50-S	BP2CV125-50-S	1 1/4	1/0 SOL	500 MCM	2.50	2.63	6.31	0.50
BPCV125-80-S	BP2CV125-80-S	1 1/4	2/0 SOL	800 MCM	2.50	2.88	6.56	0.50
BPCV125-100-S	BP2CV125-100-S	1 1/4	4/0 SOL	1000 MCM	2.50	2.88	6.56	0.50
BPCV125-150-S	BP2CV125-150-S	1 1/4	250 MCM	1500 MCM	2.50	3.38	7.25	0.50
BPCV150-50-S	BP2CV150-50-S	1 1/2	1/0 SOL	500 MCM	2.50	2.75	6.63	0.50
BPCV150-80-S	BP2CV150-80-S	1 1/2	2/0 SOL	800 MCM	2.50	2.88	6.75	0.50
BPCV150-100-S	BP2CV150-100-S	1 1/2	4/0 SOL	1000 MCM	2.50	2.88	6.75	0.50
BPCV150-150-S	BP2CV150-150-S	1 1/2	250 MCM	1500 MCM	2.50	3.38	7.25	0.50
BPCV150-200-S	BP2CV150-200-S	1 1/2	500 MCM	2000 MCM	2.50	3.38	7.25	0.50
BPCV200-50-S	BP2CV200-50-S	2	1/0 SOL	500 MCM	2.75	2.75	7.13	0.50
BPCV200-80-S	BP2CV200-80-S	2	2/0 SOL	800 MCM	2.75	2.88	7.25	0.50
BPCV200-100-S	BP2CV200-100-S	2	4/0 SOL	1000 MCM	2.75	2.88	7.25	0.50
BPCV200-150-S	BP2CV200-150-S	2	250 MCM	1500 MCM	2.75	3.38	7.75	0.50
BPCV200-200-S	BP2CV200-200-S	2	500 MCM	2000 MCM	2.75	3.38	7.75	0.50
BPCV250-50-S	BP2CV250-50-S	2 1/2	1/0 SOL	500 MCM	2.75	2.75	7.63	0.50
BPCV250-80-S	BP2CV250-80-S	2 1/2	2/0 SOL	800 MCM	2.75	2.88	7.75	0.50
BPCV250-100-S	BP2CV250-100-S	2 1/2	4/0 SOL	1000 MCM	2.75	2.88	7.75	0.50
BPCV250-150-S	BP2CV250-150-S	2 1/2	250 MCM	1500 MCM	2.75	3.38	8.25	0.50
BPCV250-200-S	BP2CV250-200-S	2 1/2	500 MCM	2000 MCM	2.75	3.38	8.25	0.50
BPCV300-25-S	BP2CV300-25-S	3	#4 SOL	250 MCM	3.00	2.75	8.25	0.50
BPCV300-50-S	BP2CV300-50-S	3	1/0 SOL	500 MCM	3.00	2.75	8.50	0.50
BPCV300-80-S	BP2CV300-80-S	3	2/0 SOL	800 MCM	3.00	2.88	8.63	0.50
BPCV300-100-S	BP2CV300-100-S	3	4/0 SOL	1000 MCM	3.00	2.88	8.63	0.50
BPCV300-150-S	BP2CV300-150-S	3	250 MCM	1500 MCM	3.00	3.38	9.13	0.50
BPCV300-200-S	BP2CV300-200-S	3	500 MCM	2000 MCM	3.00	3.38	9.13	0.50
BPCV350-50-S	BP2CV350-50-S	3 1/2	1/0 SOL	500 MCM	3.50	2.75	9.88	0.69
BPCV350-150-S	BP2CV350-150-S	3 1/2	1/0 SOL	500 MCM	3.50	3.38	9.25	0.69
BPCV400-50-S	BP2CV400-50-S	4	1/0 SOL	500 MCM	3.25	2.63	9.13	0.50
BPCV400-100-S	BP2CV400-100-S	4	4/0 SOL	1000 MCM	3.25	2.88	9.38	0.50
BPCV600-50-S	BP2CV600-50-S	6	1/0 SOL	500 MCM	5.75	2.88	11.63	0.69*

*Part Supplied with (6) bolts for Fastening

Bronze Elbows
Tee & Vee Connectors

DOSSERT®

TYPE BPE

Copper Heavy Duty Tee For Tubular Bus

A heavy duty tee connector for standard and extra heavy size of tubular bus. Designed to provide a minimum of four bolts for each conductor. Made of high strength high conductivity copper alloy and designed with a conductive area and contact surface to insure cooler-than-bus operation at maximum load conditions.



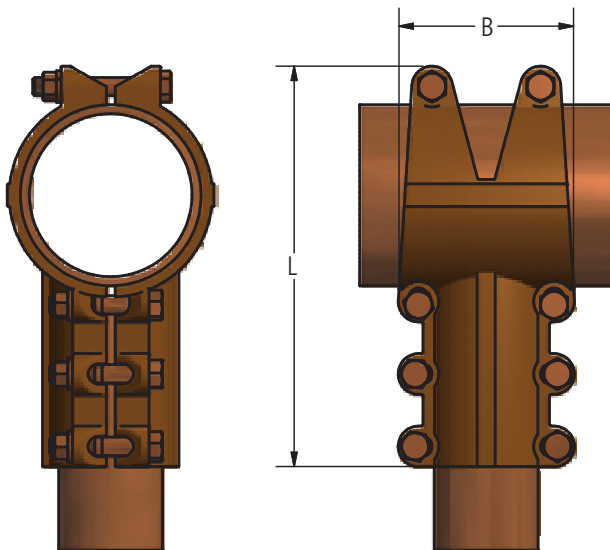
Material

Copper Alloy

Hardware

Everdur bolts, nuts and lockwashers

Bronze Elbows
Tee & Vee Connectors



Ordering Information

CATALOG NUMBER	SPS		DIMENSIONS IN INCHES		BOLT SIZE
	RUN	TAP	B	L	
BPE50-50	1/2	1/2	2.50	4.50	3/8
BPE75-50	3/4	1/2	2.50	4.75	3/8
BPE75-75	3/4	3/4	2.69	4.75	3/8
BPE100-50	1	1/2	2.50	5.25	3/8
BPE100-75	1	3/4	2.69	5.38	3/8
BPE100-100	1	1	2.94	5.50	3/8
BPE125-50	1 1/4	1/2	2.50	5.88	3/8
BPE125-75	1 1/4	3/4	2.69	6.00	3/8
BPE125-100	1 1/4	1	2.88	6.25	1/2
BPE125-125	1 1/4	1 1/4	3.81	7.00	1/2
BPE150-50	1 1/2	1/2	2.50	5.94	3/8
BPE150-75	1 1/2	3/4	2.69	6.06	3/8
BPE150-100	1 1/2	1	2.94	6.13	3/8
BPE150-125	1 1/2	1 1/4	3.81	7.25	1/2
BPE150-150	1 1/2	1 1/2	4.00	7.69	1/2
BPE200-50	2	1/2	4.13	6.88	1/2
BPE200-75	2	3/4	2.69	6.38	3/8
BPE200-100	2	1	2.94	6.75	3/8
BPE200-125	2	1 1/4	3.81	7.50	1/2
BPE200-150	2	1 1/2	4.00	8.06	1/2
BPE200-200	2	2	4.50	8.25	1/2

DOSSERT®

TYPE BPE

Copper Heavy Duty Tee For Tubular Bus

Ordering Information

CATALOG NUMBER	SPS		DIMENSIONS IN INCHES		BOLT SIZE
	RUN	TAP	B	L	
BPE250-50	2 1/2	1/2	2.50	7.00	3/8
BPE250-75	2 1/2	3/4	2.69	7.00	3/8
BPE250-100	2 1/2	1	2.94	7.13	3/8
BPE250-125	2 1/2	1 1/4	3.81	8.38	1/2
BPE250-150	2 1/2	1 1/2	4.00	8.56	1/2
BPE250-200	2 1/2	2	4.50	8.75	1/2
BPE250-250	2 1/2	2 1/2	5.00	8.94	1/2
BPE300-50	3	1/2	2.00	8.38	3/8
BPE300-75	3	3/4	2.69	8.38	3/8
BPE300-100	3	1	2.94	8.50	3/8
BPE300-125	3	1 1/4	3.81	9.25	1/2
BPE300-150	3	1 1/2	4.00	9.38	1/2
BPE300-200	3	2	4.50	9.50	1/2
BPE300-250	3	2 1/2	5.00	9.63	1/2
BPE300-300	3	3	6.00	9.75	5/8
BPE300-400	3	4	6.63	10.38	5/8
BPE350-50	3 1/2	1/2	2.50	8.75	3/8
BPE350-75	3 1/2	3/4	2.69	8.75	3/8
BPE350-100	3 1/2	1	2.94	8.88	3/8
BPE350-125	3 1/2	1 1/4	3.81	9.75	1/2
BPE350-150	3 1/2	1 1/2	4.00	9.88	1/2
BPE350-200	3 1/2	2	4.50	10.00	1/2
BPE350-250	3 1/2	2 1/2	5.00	10.13	1/2
BPE350-300	3 1/2	3	6.00	10.75	5/8
BPE350-350	3 1/2	3 1/2	6.50	10.88	5/8
BPE400-50	4	1/2	2.50	9.13	3/8
BPE400-75	4	3/4	2.69	9.13	3/8
BPE400-100	4	1	2.94	9.25	3/8
BPE400-125	4	1 1/4	3.81	10.25	1/2
BPE400-150	4	1 1/2	4.00	10.38	1/2
BPE400-200	4	2	4.50	10.50	1/2
BPE400-250	4	2 1/2	5.00	10.69	1/2
BPE400-300	4	3	6.00	11.19	5/8
BPE400-350	4	3 1/2	6.50	11.31	5/8
BPE400-400	4	4	7.00	11.44	5/8

DOSSERT®

TYPE EP

Clamp Type Elbow For Tubular Bus

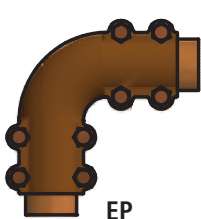
A clamp type elbow for connecting standard pipe size tubular buses at angles to each other. Conductor bearing areas are accurately machine finished with a special surface to provide good electrical contact and high pull-out strength.

Material

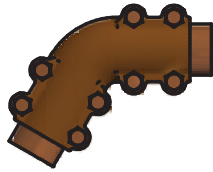
Copper Alloy

Hardware

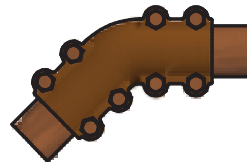
Everdur bolts, nuts and lockwashers



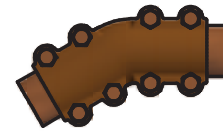
EP
90 DEG



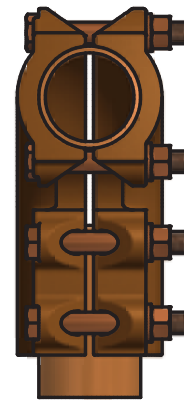
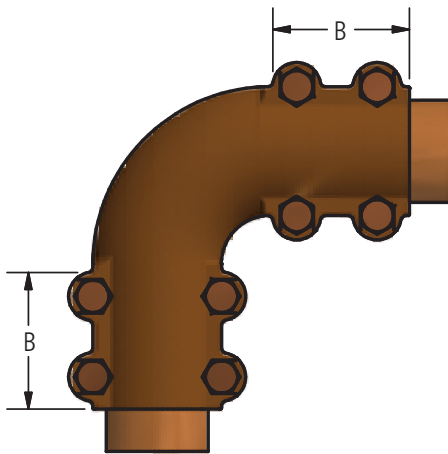
EP-60
60 DEG



EP-45
45 DEG



EP-30
30 DEG



Ordering Information

CATALOG NUMBER				SPS	DIMENSIONS IN INCHES	BOLT SIZE	NUMBER OF BOLTS
90 DEG	60 DEG	45 DEG	30 DEG				
EP25	EP25-60	EP25-45	EP25-30	1/4	1 1/4	3/8	4
EP38	EP38-60	EP38-45	EP38-30	3/8	1 1/2	3/8	4
EP50*	EP50-60	EP50-45	EP50-30	1/2	1 1/2	3/8	6
EP75	EP75-60	EP75-45	EP75-30	3/4	1 3/4	3/8	6
EP100	EP100-60	EP100-45	EP100-30	1	2 1/8	3/8	8
EP125	EP125-60	EP125-45	EP125-30	1 1/4	2 1/4	1/2	8
EP150	EP150-60	EP150-45	EP150-30	1 1/2	2 1/2	1/2	8
EP200	EP200-60	EP200-45	EP200-30	2	2 3/4	1/2	8
EP250	EP250-60	EP250-45	EP250-30	2 1/2	3	1/2	8
EP300	EP300-60	EP300-45	EP300-30	3	3 1/2	5/8	8
EP350	EP350-60	EP350-45	EP350-30	3 1/2	3 5/8	5/8	8
EP400	EP400-60	EP400-45	EP400-30	4	3 5/8	5/8	8
EP600	EP600-60	EP600-45	EP600-30	6	6 1/4	5/8	12

* EP50 has 8 bolts and "B" is 2 inches

DOSSERT®

TYPE PSK, PSKS

Suspension Type Bus Support For Tubular Bus With Ball Eye

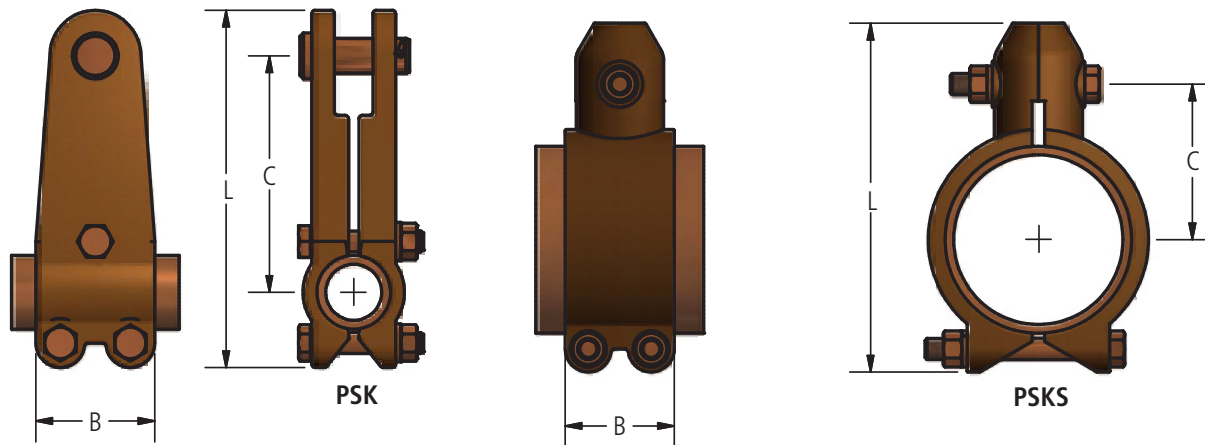
Suspension type bus support clamps for mounting tubular bus to the underside of suspension insulators. Type PSK is provided with a clevis yoke for connecting bus support to an insulator clevis eye while type PSKS is provided with a ball socket for connecting bus support to an insulator ball eye.

Material

Copper Alloy

Hardware

Everdur bolts, nuts and lockwashers



Ordering Information

CATALOG NUMBER		SPS	DIMENSIONS IN INCHES			
PSK SERIES	PSKS SERIES		B	C	L	BOLT SIZE
PSK50	PSKS50	1/2	2 1/8	3	5 3/16	3/8
PSK75	PSKS75	3/4	2 1/8	3 3/16	5 7/16	3/8
PSK100	PSKS100	1	2 1/8	3 7/16	5 13/16	3/8
PSK125	PSKS125	1 1/4	2 1/8	3 1/2	6 1/8	1/2
PSK150	PSKS150	1 1/2	2 5/8	3 13/16	6 5/8	1/2
PSK200	PSKS200	2	2 5/8	4	7 3/8	1/2
PSK250	PSKS250	2 1/2	2 5/8	4 1/4	7 13/16	1/2
PSK300	PSKS300	3	3 5/16	4 5/8	8 15/16	5/8
PSK350	PSKS350	3 1/2	3 5/16	5	9 7/16	5/8
PSK400	PSKS400	4	3 5/16	5 3/8	9 7/8	5/8

DOSSERT®

TYPE PX Tubular Cross Connector

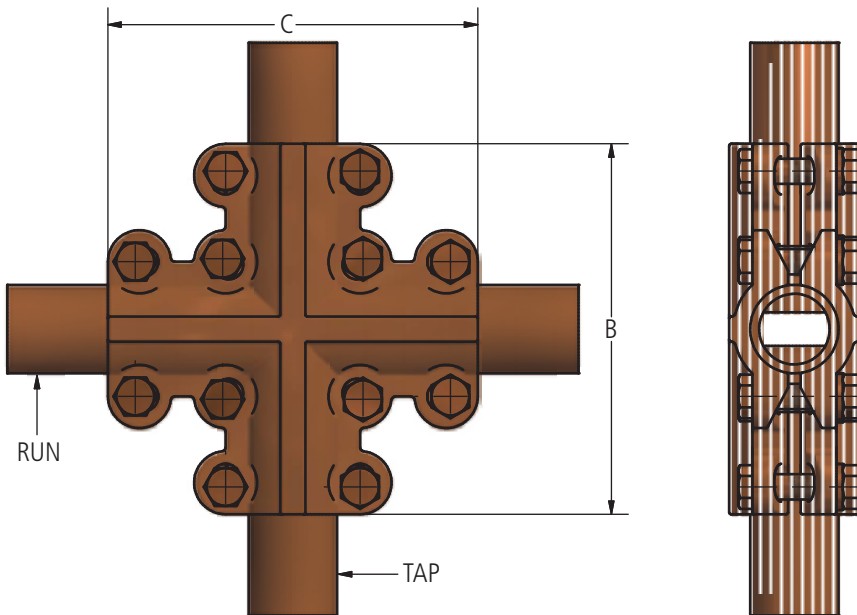
A cross connector for joining two branches to a tubular bus main or for providing a junction for four independent tubular busses. Can be made to accommodate various sizes of conductors.

Material

Copper Alloy

Hardware

Everdur bolts, nuts and lockwashers



Ordering Information

CATALOG NUMBER	SPS		DIMENSIONS IN INCHES		BOLT SIZE
	RUN	TAP	B	C	
PX50-50	1/2	1/2	4-3/4	4-3/4	3/8
PX75-50	3/4	1/2	4-3/4	4-3/4	3/8
PX75-75	3/4	3/4	4-3/4	4-3/4	3/8
PX100-50	1	1/2	4-3/4	5-7/16	3/8
PX100-75	1	3/4	4-3/4	5-7/16	3/8
PX100-100	1	1	5-7/16	5-7/16	3/8
PX125-75	1-1/4	3/4	4-3/4	6-1/2	3/8
PX125-100	1-1/4	1	6-1/2	6-1/2	1/2
PX125-125	1-1/4	1-1/4	6-11/16	6-11/16	1/2
PX150-150	1-1/2	1-1/2	7-1/8	7-1/8	1/2
PX200-200	2	2	7-13/16	7-13/16	1/2
PX250-250	2-1/2	2-1/2	8-5/16	8-5/16	1/2
PX300-300	3	3	9-7/8	9-7/8	5/8
PX350-350	3-1/2	3-1/2	11-1/8	11-1/8	5/8
PX400-400	4	4	12-1/4	12-1/4	5/8

DOSSERT®

TYPE U2T, UUTT

The U2T is a double tap single run, while the UUTT is a double tap double run.

Each tap position independently takes a wide range of conductor sizes. A well-balanced contact and conductive areas assure cool operation at maximum loads.

Material

Copper Alloy

Hardware

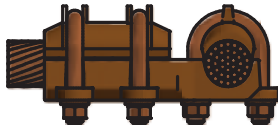
Everdur U-bolts, nuts and lockwashers



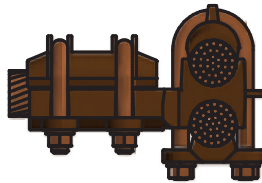
U2T



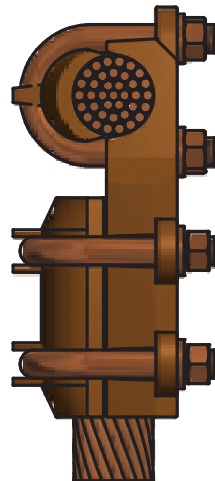
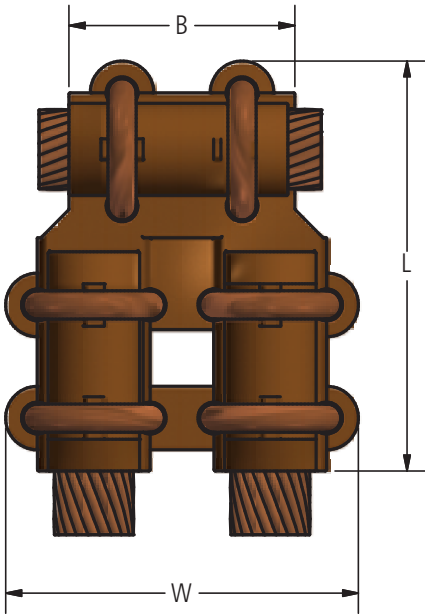
UUTT



U2T



UUTT





Bronze Elbows Tee & Vee Connectors

DOSSERT®

TYPE U2T, UUTT

The U2T is a double tap single run, while the UUTT is a double tap double run.

Ordering Information

CATALOG NUMBER		CABLE RANGE RUN		CABLE RANGE TAP		DIMENSIONS IN INCHES			U-BOLT DIA.	
		MIN	MAX	MIN	MAX	B	L	W	MAIN	TAP
U2T13-13	UUTT13-13	# 6 STRanded	2/0 STRanded	#6 STRanded	2/0 STRanded	3 1/4	4 1/4	3 1/4	5/16	5/16
U2T21-21	UUTT21-21	#1 STRanded	4/0 STRanded	#1 STRanded	4/0 STRanded	3 1/4	4 1/2	3 3/4	3/8	3/8
U2T30-13	UUTT30-13	1/0 STRanded	300 MCM	#6 STRanded	2/0 STRanded	3 1/4	4 1/4	3 1/4	3/8	3/8
U2T30-30	UUTT30-30	1/0 STRanded	300 MCM	1/0 STRanded	300 MCM	3 3/4	4 1/2	4	3/8	3/8
U2T50-13	UUTT50-13	300 MCM	500 MCM	#6 STRanded	2/0 STRanded	3 1/4	4 3/8	3 1/4	3/8	5/16
U2T50-21	UUTT50-21	300 MCM	500 MCM	#1 STRanded	4/0 STRanded	3 1/4	4 3/4	3 3/4	3/8	3/8
U2T50-30	UUTT50-30	300 MCM	500 MCM	1/0 STRanded	300 MCM	4 1/4	4 7/8	4	3/8	3/8
U2T50-50	UUTT50-50	300 MCM	500 MCM	300 MCM	500 MCM	4 1/4	5 1/8	4 3/8	3/8	3/8
U2T80-13	UUTT80-13	500 MCM	800 MCM	#6 STRanded	2/0 STRanded	3 1/4	5 1/4	3 1/4	1/2	5/16
U2T80-21	UUTT80-21	500 MCM	800 MCM	#1 STRanded	4/0 STRanded	3 1/4	5 7/8	3 3/4	1/2	3/8
U2T80-30	UUTT80-30	500 MCM	800 MCM	1/0 STRanded	300 MCM	4 1/4	6	4	1/2	3/8
U2T80-50	UUTT80-50	500 MCM	800 MCM	300 MCM	500 MCM	4 1/4	6 1/4	4 3/8	1/2	3/8
U2T80-80	UUTT80-80	500 MCM	800 MCM	500 MCM	800 MCM	5 1/4	6 1/2	5 1/2	1/2	1/2
U2T100-13	UUTT100-13	750 MCM	1000 MCM	#6 STRanded	2/0 STRanded	4 1/4	5 1/2	3 1/4	1/2	5/16
U2T100-21	UUTT100-21	750 MCM	1000 MCM	#1 STRanded	4/0 STRanded	4 1/4	5 5/8	3 3/4	1/2	3/8
U2T100-30	UUTT100-30	750 MCM	1000 MCM	1/0 STRanded	300 MCM	4 1/4	5 3/4	4	1/2	3/8
U2T100-50	UUTT100-50	750 MCM	1000 MCM	300 MCM	500 MCM	4 1/4	6	4 3/8	1/2	3/8
U2T100-80	UUTT100-80	750 MCM	1000 MCM	500 MCM	800 MCM	5 1/4	6 1/4	5 1/2	1/2	1/2
U2T100-100	UUTT100-100	750 MCM	1000 MCM	750 MCM	1000 MCM	5 1/4	6 1/2	5 7/8	1/2	1/2
U2T150-13	UUTT150-13	1000 MCM	1500 MCM	#6 STRanded	2/0 STRanded	4 1/4	5 3/4	3 1/4	1/2	5/16
U2T150-21	UUTT150-21	1000 MCM	1500 MCM	#1 STRanded	4/0 STRanded	4 1/4	5 7/8	3 3/4	1/2	3/8
U2T150-30	UUTT150-30	1000 MCM	1500 MCM	1/0 STRanded	300 MCM	4 1/4	6	4	1/2	3/8
U2T150-50	UUTT150-50	1000 MCM	1500 MCM	300 MCM	500 MCM	4 1/4	6 1/4	4 3/8	1/2	3/8
U2T150-80	UUTT150-80	1000 MCM	1500 MCM	500 MCM	800 MCM	5 1/4	6 1/2	5 1/2	1/2	1/2
U2T150-100	UUTT150-100	1000 MCM	1500 MCM	750 MCM	1000 MCM	5 1/4	6 3/4	5 7/8	1/2	1/2
U2T150-150	UUTT150-150	1000 MCM	2000 MCM	1000 MCM	2000 MCM	4	7 1/4	6 1/4	1/2	1/2
U2T200-30	UUTT200-30	1500 MCM	2000 MCM	1/0 STRanded	300 MCM	4 1/4	6 1/4	4	1/2	3/8
U2T200-50	UUTT200-50	1500 MCM	2000 MCM	300 MCM	500 MCM	4 1/4	6 1/2	4 3/8	1/2	3/8
U2T200-80	UUTT200-80	1500 MCM	2000 MCM	500 MCM	800 MCM	4 1/2	6 11/16	5 1/2	1/2	1/2
U2T200-100	UUTT200-100	1500 MCM	2000 MCM	750 MCM	1000 MCM	5 1/4	7	5 7/8	1/2	1/2
U2T200-150	UUTT200-150	1500 MCM	2000 MCM	1000 MCM	1500 MCM	6 3/8	7 1/2	6 5/8	1/2	1/2
U2T200-200	UUTT200-200	1500 MCM	2000 MCM	1500 MCM	2000 MCM	4 1/2	8 1/2	6 7/8	1/2	1/2

DOSSERT®

TYPE UP2T

Copper Tee For Tubular Bus To Double Cable Tap

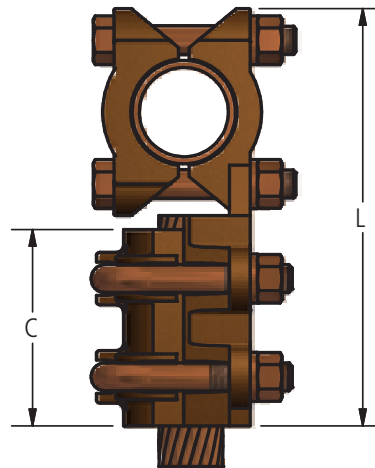
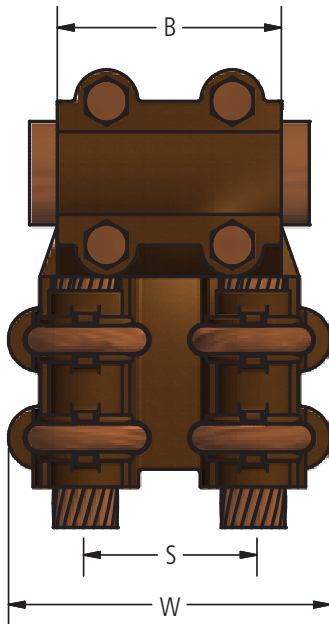
A double tap tee connector for a standard pipe size run to two cable taps. Each cable position independently takes a wide range of conductors.

Material

Copper Alloy

Hardware

Everdur bolts, nuts, lockwashers, and U-bolts



DOSSERT®

TYPE UP2T

Copper Tee For Tubular Bus To Double Cable Tap

Ordering Information

CATALOG NUMBER	SPS	CABLE RANGE		DIMENSIONS IN INCHES					BOLT SIZE	
		MIN	MAX	B	C	L	S	W	RUN	TAP
UP2T38-13	3/8	6 STR	2/0 STR	2	2 1/2	4 13/16	1 11/16	3 1/4	3/8	5/16
UP2T50-13	1/2	6 STR	2/0 STR	2	2 1/2	5	1 11/16	3 1/4	3/8	5/16
UP2T50-21	1/2	1 STR	4/0 STR	2	2 5/8	5 1/8	1 31/32	3 3/4	3/8	3/8
UP2T50-30	1/2	1/0 STR	300 MCM	2	2 3/4	5 1/4	2 1/16	4	3/8	3/8
UP2T75-13	3/4	6 STR	2/0 STR	2	2 1/2	5 3/16	1 11/16	3 1/4	3/8	5/16
UP2T75-21	3/4	1 STR	4/0 STR	2	2 5/8	5 5/16	1 31/32	3 3/4	3/8	3/8
UP2T75-30	3/4	1/0 STR	300 MCM	2	2 3/4	5 7/16	2 1/16	4	3/8	3/8
UP2T75-50	3/4	300 MCM	500 MCM	2	3	5 11/16	2 1/4	4 3/8	3/8	3/8
UP2T100-13	1	6 STR	2/0 STR	2 1/4	2 1/2	5 1/2	1 11/16	3 1/4	3/8	5/16
UP2T100-21	1	1 STR	4/0 STR	2 1/4	2 5/8	5 5/8	1 31/32	3 3/4	3/8	3/8
UP2T100-30	1	1/0 STR	300 MCM	2 1/4	2 3/4	5 3/4	2 1/16	4	3/8	3/8
UP2T100-50	1	300 MCM	500 MCM	2 1/4	3	6	2 1/4	4 3/8	3/8	3/8
UP2T100-80	1	500 MCM	800 MCM	2 3/4	3 1/4	6 3/4	2 27/32	5 1/2	1/2	1/2
UP2T125-13	1 1/4	6 STR	2/0 STR	2 1/4	2 1/2	5 3/4	1 11/16	3 1/4	3/8	5/16
UP2T125-21	1 1/4	1 STR	4/0 STR	2 1/4	2 5/8	5 7/8	1 31/32	3 1/4	3/8	3/8
UP2T125-30	1 1/4	1/0 STR	300 MCM	2 1/4	2 3/4	6	2 1/16	4	3/8	3/8
UP2T125-50	1 1/4	300 MCM	500 MCM	2 1/4	3	6 1/4	2 1/4	4 3/8	3/8	3/8
UP2T125-80	1 1/4	500 MCM	800 MCM	2 3/4	3 1/4	6 7/8	2 27/32	5 1/2	1/2	1/2
UP2T125-100	1 1/4	750 MCM	1000 MCM	2 3/4	3 1/2	7 3/10	3	5 7/8	1/2	1/2
UP2T150-21	1 1/2	1 STR	4/0 STR	2 1/4	2 5/8	6 3/16	1 31/32	3 3/4	3/8	3/8
UP2T150-30	1 1/2	1/0 STR	300 MCM	2 1/4	2 3/4	6 5/16	2 1/16	4	3/8	3/8
UP2T150-50	1 1/2	300 MCM	500 MCM	2 1/4	3	6 9/16	2 1/4	4 3/8	3/8	3/8
UP2T150-80	1 1/2	500 MCM	800 MCM	2 3/4	3 1/4	7 3/16	2 27/32	5 1/2	1/2	1/2
UP2T150-100	1 1/2	750 MCM	1000 MCM	2 3/4	3 1/2	7 1/16	3	5 7/8	1/2	1/2
UP2T200-21	2	1 STR	4/0 STR	2 1/4	2 5/8	6 5/8	1 31/32	3 3/4	3/8	3/8
UP2T200-30	2	1/0 STR	300 MCM	2 1/4	2 3/4	6 3/4	2 1/16	4	3/8	3/8
UP2T200-50	2	300 MCM	500 MCM	2 3/4	3	7	2 1/4	4 3/8	3/8	3/8
UP2T200-80	2	500 MCM	800 MCM	3 1/4	3 1/4	7 5/8	2 27/32	5 5/8	1/2	1/2
UP2T200-100	2	750 MCM	1000 MCM	3 1/4	3 1/2	8 1/8	3	5 1/2	1/2	1/2
UP2T200-150	2	1000 MCM	1500 MCM	3 3/4	4	8 5/8	3 1/4	6 5/8	1/2	1/2
UP2T250-30	2 1/2	1/0 STR	300 MCM	2 1/4	2 3/4	7 1/4	2 1/16	4	3/8	3/8
UP2T250-50	2 1/2	300 MCM	500 MCM	2 3/4	3	7 1/2	2 1/4	4 3/8	3/8	3/8
UP2T250-80	2 1/2	500 MCM	800 MCM	3 1/4	3 1/4	8 1/8	2 27/32	5 1/2	1/2	1/2
UP2T250-100	2 1/2	750 MCM	1000 MCM	3 1/4	3 1/2	8 3/8	3	5 7/8	1/2	1/2
UP2T250-150	2 1/2	1000 MCM	1500 MCM	4	4	9	3 1/4	6 5/8	1/2	1/2
UP2T300-30	3	1/0 STR	300 MCM	2 1/4	2 3/4	7 7/8	2 1/16	4	3/8	3/8
UP2T300-50	3	3/0 C MCM	500 MCM	2 3/4	3	8 1/8	2 1/4	4 3/8	3/8	3/8
UP2T300-80	3	500 MCM	800 MCM	3 1/4	3 1/4	8 3/4	2 27/32	5 1/2	1/2	1/2
UP2T300-100	3	750 MCM	1000 MCM	3 1/4	3 1/2	9	3	5 7/8	1/2	1/2
UP2T300-150	3	1000 MCM	1500 MCM	4	4	9 1/2	3 1/4	6 5/8	1/2	1/2
UP2T350-30	3 1/2	1/0 STR	300 MCM	2 1/4	2 3/4	8 3/8	2 1/16	4	3/8	3/8
UP2T350-50	3 1/2	300 MCM	500 MCM	2 3/4	3	8 5/8	2 1/4	4	3/8	3/8
UP2T350-80	3 1/2	500 MCM	800 MCM	3 1/4	3 1/4	9 1/4	2 27/32	5 1/2	1/2	1/2
UP2T350-100	3 1/2	750 MCM	1000 MCM	3 1/4	3 1/2	9 1/2	3	5 7/8	1/2	1/2
UP2T350-150	3 1/2	1000 MCM	1500 MCM	4	4	10	3 1/4	6 5/8	1/2	1/2
UP2T400-30	4	1/0 STR	300 MCM	2 1/4	2 3/4	8 7/8	2 1/16	4	3/8	3/8
UP2T400-50	4	300 MCM	500 MCM	2 3/4	3	9 1/8	2 1/4	4 3/8	3/8	3/8
UP2T400-80	4	500 MCM	800 MCM	3 1/4	3 1/4	9 3/4	2 27/32	5 1/2	1/2	1/2
UP2T400-100	4	750 MCM	1000 MCM	3 1/4	3 1/2	10	3	5 7/8	1/2	1/2
UP2T400-150	4	1000 MCM	1500 MCM	4	4	10 1/2	3 1/4	6 5/8	1/2	1/2

Bronze Elbows
Tee & Vee Connectors

DOSSERT®

TYPE UPT

Copper Pipe To Cable Tee Connector

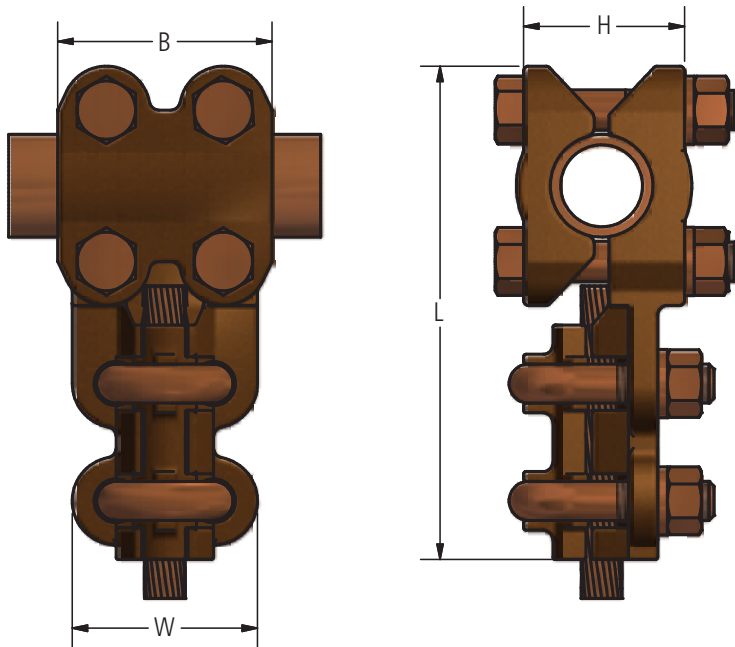
A pipe to cable tee connector. The U-bolt variable clamping feature on the tap permits a number of cable sizes for one size of pipe. All bolts, nuts, lockwashers are of Everdur material.

Material

Cast High Conductivity Copper Alloy

Hardware

Everdur bolts, nuts, lockwashers, and U-bolts



DOSSERT®

TYPE UPT

Copper Pipe To Cable Tee Connector

Ordering Information

CATALOG NUMBER	SPS	CABLE RANGE		DIMENSIONS IN INCHES				U-BOLT DIAMETER	
		MIN	MAX	B	H MAX	L	W	SPS	CABLE
UPT50-13	1/2	6 STR	2/0 STR	2	1 3/4	5 1/8	1 5/8	3/8	3/8
UPT50-21	1/2	1 STR	4/0 STR	2	1 3/4	5 1/4	1 15/16	3/8	3/8
UPT50-30	1/2	1/0 STR	300 MCM	2	1 3/4	5 3/8	2	3/8	3/8
UPT75-13	3/4	6 STR	2/0 STR	2	2	5 1/8	1 5/8	3/8	3/8
UPT75-21	3/4	1 STR	4/0 STR	2	2	5 1/4	1 15/16	3/8	3/8
UPT75-30	3/4	1/0 STR	300 MCM	2	2	5 3/8	2	3/8	3/8
UPT75-50	3/4	300 MCM	500 MCM	2	2	5 1/2	2 1/8	3/8	3/8
UPT100-13	1	6 STR	2/0 STR	2	2	5 5/8	1 5/8	3/8	3/8
UPT100-21	1	1 STR	4/0 STR	2	2 1/8	5 3/4	1 15/16	3/8	3/8
UPT100-30	1	1/0 STR	300 MCM	2	2 1/8	5 7/8	2	3/8	3/8
UPT100-50	1	300 MCM	500 MCM	2	2 1/8	6	2 1/8	3/8	3/8
UPT100-80	1	500 MCM	800 MCM	2	2 1/8	6 1/8	2 3/8	3/8	1/2
UPT125-13	1 1/4	6 STR	2/0 STR	2	2 3/8	5 7/8	1 5/8	3/8	3/8
UPT125-21	1 1/4	1 STR	4/0 STR	2	2 3/8	6	1 15/16	3/8	3/8
UPT125-30	1 1/4	1/0 STR	300 MCM	2	2 3/8	6 1/8	2	3/8	3/8
UPT125-50	1 1/4	300 MCM	500 MCM	2	2 3/8	6 1/4	2 1/8	3/8	3/8
UPT125-80	1 1/4	500 MCM	800 MCM	2	2 3/8	6 3/8	2 3/8	3/8	1/2
UPT125-100	1 1/4	750 MCM	1000 MCM	2 3/4	2 1/2	7 1/4	2 7/8	1/2	1/2
UPT150-21	1 1/2	1 STR	4/0 STR	2	2 3/8	6 1/8	1 15/16	3/8	3/8
UPT150-30	1 1/2	1/0 STR	300 MCM	2	2 1/2	6 1/4	2	3/8	3/8
UPT150-50	1 1/2	300 MCM	500 MCM	2	2 1/2	6 3/8	2 1/8	3/8	3/8
UPT150-80	1 1/2	500 MCM	800 MCM	2	2 1/2	6 1/2	2 3/8	3/8	1/2
UPT150-100	1 1/2	750 MCM	1000 MCM	2 3/4	2 3/4	7 3/8	2 7/8	1/2	1/2
UPT200-21	2	1 STR	4/0 STR	2	2 7/8	6 13/16	1 15/16	3/8	3/8
UPT200-30	2	1/0 STR	300 MCM	2	2 7/8	6 15/16	2	3/8	3/8
UPT200-50	2	300 MCM	500 MCM	2	3	7 1/16	2 1/8	3/8	3/8
UPT200-80	2	500 MCM	800 MCM	2	3	7 3/16	2 3/8	3/8	1/2
UPT200-100	2	750 MCM	1000 MCM	2 3/4	3	8 1/16	2 7/8	1/2	1/2
UPT200-150	2	1000 MCM	1500 MCM	2 3/4	3 1/8	8 9/16	3 1/4	1/2	1/2
UPT250-21	2 1/2	1 STR	4/0 STR	2	3 7/16	7 1/8	1 15/16	3/8	3/8
UPT250-30	2 1/2	1/0 STR	300 MCM	2	3 1/2	7 1/4	2	3/8	3/8
UPT250-50	2 1/2	300 MCM	500 MCM	2	3 1/2	7 3/8	2 1/8	3/8	3/8
UPT250-80	2 1/2	500 MCM	800 MCM	2	3 1/2	7 1/2	2 3/8	3/8	1/2
UPT250-100	2 1/2	750 MCM	1000 MCM	2 3/4	3 5/8	8 1/2	2 7/8	1/2	1/2
UPT250-150	2 1/2	1000 MCM	1500 MCM	2 3/4	3 5/8	9	3 1/4	1/2	1/2
UPT300-21	3	1 STR	4/0 STR	2	4 1/8	7 3/4	1 15/16	3/8	3/8
UPT300-30	3	1/0 STR	300 MCM	2	4 1/8	7 7/8	2	3/8	3/8
UPT300-50	3	300 MCM	500 MCM	2	4 3/16	8	2 1/8	3/8	3/8
UPT300-80	3	500 MCM	800 MCM	2	4 3/16	8 1/8	2 3/8	3/8	3/8
UPT300-100	3	750 MCM	1000 MCM	2 3/4	4 1/4	8 7/8	2 7/8	1/2	1/2
UPT300-150	3	1000 MCM	1500 MCM	2 3/4	4 1/4	9 3/8	3 1/4	1/2	1/2
UPT400-21	4	1 STR	4/0 STR	2	5 1/8	8 3/4	1 15/16	3/8	3/8
UPT400-30	4	1/0 STR	300 MCM	2	5 1/8	8 7/8	2	3/8	3/8
UPT400-50	4	300 MCM	500 MCM	2	5 1/4	9	2 1/8	3/8	3/8
UPT400-80	4	500 MCM	800 MCM	2	5 1/4	9 1/8	2 3/8	3/8	3/8
UPT400-100	4	750 MCM	1000 MCM	2 3/4	5 3/8	10 1/8	2 7/8	1/2	1/2
UPT400-150	4	1000 MCM	1500 MCM	2 3/4	5 3/8	10 5/8	3 1/4	1/2	1/2
UPT400-200	4	1500 MCM	2000 MCM	2 3/4	5 3/8	11 1/8	3 1/2	1/2	1/2

Bronze Elbows
Tee & Vee Connectors



Bronze Elbows, Tee & Vee Connectors

DOSSERT®

TYPE UT, UUT U-Bolt Tee Connector

A rugged U-bolt high compression clamp type tee connector which takes a wide range of cable sizes in both the run and tap sections. Designed to withstand high compressive clamping action on all cables within specified cable ranges.

Material

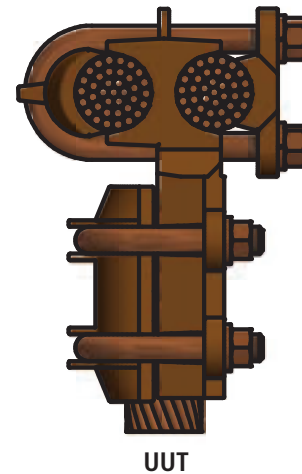
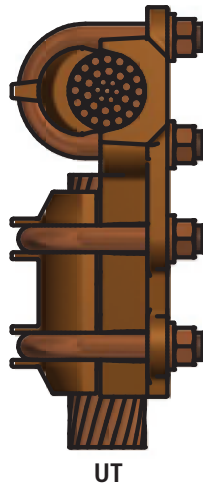
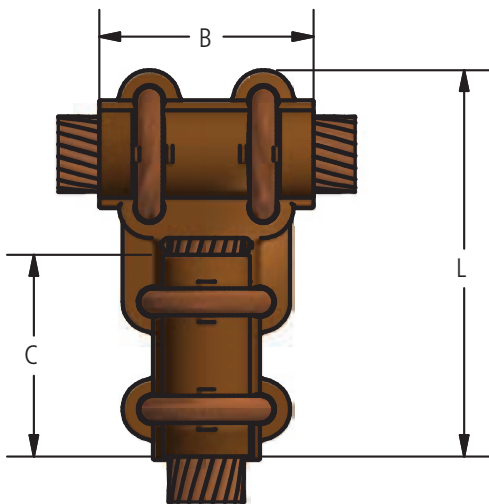
Copper Alloy

Hardware

Everdur U-bolts, nuts, and lockwashers

Notes

- For a 500 MCM cable tee connector, single tap, SINGLE run, order UT50-50.
- For a 500 MCM cable tee connector, single tap, DOUBLE run, order UUT50-50.
- For tin plating, add "-SN" to end of catalog number. EX: UT50-50-SN





Bronze Elbows, Tee & Vee Connectors

DOSSERT®

TYPE UT, UUT U-Bolt Tee Connector

Ordering Information

CATALOG NUMBER		CABLE RANGE				DIMENSIONS IN INCHES				
		RUN		TAP		B	C	L	U-BOLT DIA.	
SINGLE RUN	DOUBLE RUN	MIN	MAX	MIN	MAX				RUN	TAP
UT13-13	UUT13-13	#6 Stranded	2/0 Stranded	#6 Stranded	2/0 Stranded	2 1/2	2 1/2	4 1/4	3/8	5/16
UT21-21	UUT21-21	#1 Stranded	4/0 Stranded	#1 Stranded	4/0 Stranded	2 5/8	2 5/8	4 1/2	3/8	3/8
UT30-13	UUT30-13	1/0 Stranded	300 MCM	#6 Stranded	2/0 Stranded	2 3/4	2 3/4	4 1/4	3/8	5/16
UT30-30	UUT30-30	1/0 Stranded	300 MCM	1/0 Stranded	300 MCM	2 3/4	2 3/4	4 1/2	3/8	3/8
UT50-13	UUT50-13	300 MCM	500 MCM	#6 Stranded	2/0 Stranded	3	2 1/2	4 3/8	1/2	5/16
UT50-21	UUT50-21	300 MCM	500 MCM	#1 Stranded	4/0 Stranded	3	2 5/8	4 3/4	1/2	3/8
UT50-30	UUT50-30	300 MCM	500 MCM	1/0 Stranded	300 MCM	3	2 3/4	4 7/8	1/2	3/8
UT50-50	UUT50-50	300 MCM	500 MCM	300 MCM	500 MCM	3	3	5 1/8	3/8	3/8
UT80-13	UUT80-13	500 MCM	800 MCM	#6 Stranded	2/0 Stranded	3 1/4	2 1/2	5 1/4	1/2	5/16
UT80-21	UUT80-21	500 MCM	800 MCM	#1 Stranded	4/0 Stranded	3 1/4	2 5/8	5 7/8	1/2	3/8
UT80-30	UUT80-30	500 MCM	800 MCM	1/0 Stranded	300 MCM	3 1/4	2 3/4	6	1/2	3/8
UT80-50	UUT80-50	500 MCM	800 MCM	300 MCM	500 MCM	3 1/4	3	5 13/16	1/2	3/8
UT80-80	UUT80-80	500 MCM	800 MCM	500 MCM	800 MCM	3 1/4	3 1/4	6 1/2	1/2	1/2
UT100-13	UUT100-13	750 MCM	1000 MCM	#6 Stranded	2/0 Stranded	3 1/2	2 1/2	5 1/2	1/2	5/16
UT100-21	UUT100-21	750 MCM	1000 MCM	#1 Stranded	4/0 Stranded	3 1/2	2 5/8	5 5/8	1/2	3/8
UT100-30	UUT100-30	750 MCM	1000 MCM	1/0 Stranded	300 MCM	3 1/2	2 3/4	5 3/4	1/2	3/8
UT100-50	UUT100-50	750 MCM	1000 MCM	300 MCM	500 MCM	3 1/2	3	6	1/2	3/8
UT100-80	UUT100-80	750 MCM	1000 MCM	500 MCM	800 MCM	3 1/2	3 1/4	6 1/4	1/2	1/2
UT100-100	UUT100-100	750 MCM	1000 MCM	750 MCM	1000 MCM	3 1/2	3 1/2	6 9/16	1/2	1/2
UT150-13	UUT150-13	1000 MCM	2000 MCM	#6 Stranded	2/0 Stranded	4	2 1/2	5 3/4	1/2	5/16
UT150-21	UUT150-21	1000 MCM	2000 MCM	#1 Stranded	4/0 Stranded	4	2 5/8	5 7/8	1/2	3/8
UT150-30	UUT150-30	1000 MCM	2000 MCM	1/0 Stranded	300 MCM	4	2 3/4	6	1/2	3/8
UT150-50	UUT150-50	1000 MCM	2000 MCM	300 MCM	500 MCM	4	3	6 1/4	1/2	3/8
UT150-80	UUT150-80	1000 MCM	2000 MCM	500 MCM	800 MCM	4	3 1/4	6 1/2	1/2	1/2
UT150-100	UUT150-100	1000 MCM	2000 MCM	750 MCM	1000 MCM	4	3 1/2	6 3/4	1/2	1/2
UT150-150	UUT150-150	1000 MCM	2000 MCM	1000 MCM	2000 MCM	4	3 7/8	7 1/4	1/2	1/2
UT200-30	UUT200-30	1500 MCM	2000 MCM	1/0 Stranded	300 MCM	4 1/2	2 3/4	6 1/2	1/2	3/8
UT200-50	UUT200-50	1500 MCM	2000 MCM	300 MCM	500 MCM	4 1/2	3	6 3/4	1/2	3/8
UT200-80	UUT200-80	1500 MCM	2000 MCM	500 MCM	800 MCM	4 1/2	3 1/4	7	5/8	1/2
UT200-100	UUT200-100	1500 MCM	2000 MCM	750 MCM	1000 MCM	4 1/2	3 1/2	7 1/4	5/8	1/2
UT200-150	UUT200-150	1500 MCM	2000 MCM	1000 MCM	1500 MCM	4 1/2	4	7 3/4	5/8	1/2
UT200-200	UUT200-200	1500 MCM	2000 MCM	1500 MCM	2000 MCM	4 1/2	4 1/2	8 3/16	1/2	1/2

DOSSERT®

TYPE UTS

Copper U-Bolt Type Tee Coupler

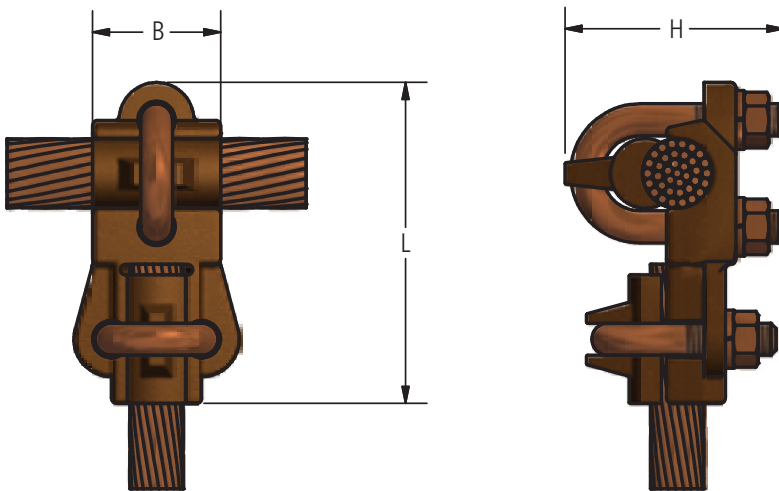
A rugged U-bolt clamp type tee connector which takes a wide range of cable sizes in both the run and tap sections. Designed to withstand high compressive clamping action on all cables within specified cable range. UTS is a compact version of UT.

Material

Copper Alloy

Hardware

Everdur nuts, lockwashers and U-bolts



Ordering Information

CATALOG NUMBER	CABLE RANGE				DIMENSIONS IN INCHES			U-BOLT SIZE	
	RUN		TAP		B	H	L	MAIN	TAP
	MIN	MAX	MIN	MAX					
UTS13-13	6 STR	2/0 STR	6 STR	2/0 STR	1 1/4	1 3/4	3 1/8	5/16	5/16
UTS21-13	1 STR	4/0 STR	6 STR	2/0 STR	1 5/16	2 1/8	3 3/8	3/8	5/16
UTS21-21	1 STR	4/0 STR	1 STR	4/0 STR	1 5/16	2 1/8	3 7/16	3/8	3/8
UTS30-21	1/0 STR	300 MCM	1 STR	4/0 STR	1 3/8	2 3/8	3 1/2	3/8	3/8
UTS30-30	1/0 STR	300 MCM	1/0 STR	300 MCM	1 3/8	2 3/8	3 5/8	3/8	3/8
UTS50-13	300 MCM	500 MCM	6 STR	2/0 STR	1 1/2	2 5/8	3 11/16	3/8	5/16
UTS50-30	300 MCM	500 MCM	1/0 STR	300 MCM	1 1/2	2 5/8	3 13/16	3/8	3/8
UTS50-50	300 MCM	500 MCM	300 MCM	500 MCM	1 1/2	2 5/8	3 15/16	3/8	3/8
UTS80-13	500 MCM	800 MCM	1 STR	2/0 STR	1 3/4	2 3/4	4 1/8	1/2	5/16
UTS80-30	500 MCM	800 MCM	1/0 STR	300 MCM	1 3/4	2 3/4	4 1/4	1/2	3/8
UTS80-50	500 MCM	800 MCM	300 MCM	500 MCM	1 3/4	3 1/8	4 3/8	1/2	3/8
UTS80-80	500 MCM	800 MCM	500 MCM	800 MCM	1 3/4	3 1/8	4 1/2	1/2	1/2
UTS100-13	750 MCM	1000 MCM	1 STR	2/0 STR	2	3	4 1/4	1/2	5/16
UTS100-21	750 MCM	1000 MCM	1 STR	4/0 STR	2	3	4 3/8	1/2	3/8
UTS100-30	750 MCM	1000 MCM	1/0 STR	300 MCM	2	3	4 3/8	1/2	3/8
UTS100-50	750 MCM	1000 MCM	300 MCM	500 MCM	2	3	4 1/2	1/2	3/8
UTS100-80	750 MCM	1000 MCM	500 MCM	800 MCM	2 1/4	3	4 3/4	1/2	1/2
UTS100-100	750 MCM	1000 MCM	750 MCM	1000 MCM	2 1/4	3	4 1/2	1/2	1/2
UTS150-30	1000 MCM	1500 MCM	1/0 STR	300 MCM	2 1/4	3 3/4	4 3/4	1/2	3/8
UTS150-50	1000 MCM	1500 MCM	300 MCM	500 MCM	2 1/4	3 3/4	4 7/8	1/2	3/8
UTS150-80	1000 MCM	1500 MCM	500 MCM	800 MCM	2 5/8	3 3/4	5 1/8	1/2	1/2
UTS150-100	1000 MCM	1500 MCM	750 MCM	1000 MCM	2 7/8	3 3/4	5 1/4	1/2	1/2
UTS150-150	1000 MCM	1500 MCM	1000 MCM	1500 MCM	3 1/4	3 3/4	5 1/2	1/2	1/2
UTS200-30	1500 MCM	2000 MCM	1/0 STR	300 MCM	2	3 13/16	5	1/2	3/8
UTS200-50	1500 MCM	2000 MCM	300 MCM	500 MCM	2	3 13/16	5 1/8	1/2	3/8
UTS200-100	1500 MCM	2000 MCM	750 MCM	1000 MCM	2	3 13/16	5 1/4	1/2	1/2
UTS200-150	1500 MCM	2000 MCM	1000 MCM	1500 MCM	2	3 13/16	5 1/2	1/2	1/2
UTS200-200	1500 MCM	2000 MCM	1500 MCM	2000 MCM	2	3 13/16	5 5/8	1/2	1/2

DOSSERT®

TYPE VB

V Brace For Strut To Tubular Bus

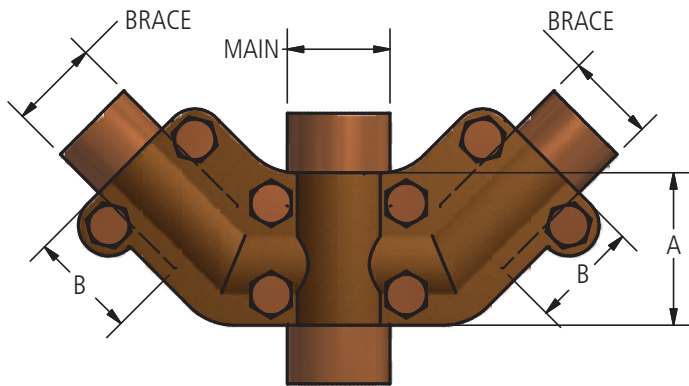
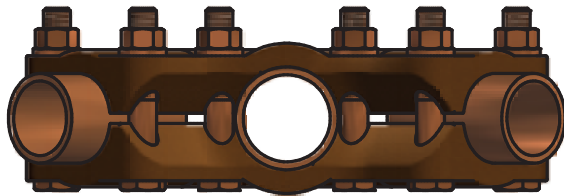
A V-Brace for connecting angular Struts and trusses to tubular buses for Structural support. Eliminates use of Structural steel supports and the required accompanying insulators. With the V-Brace and Angle Brace, various arrangements of trussing may be devised.

Material

Copper Alloy

Hardware

Everdur bolts, nuts and lockwashers



Ordering Information

CATALOG NUMBER	SPS		DIMENSIONS IN INCHES		BOLT SIZE
	MAIN	BRACE	A	B	
VB75-50	3/4	1/2	1 3/4	1 1/2	3/8
VB75-75	3/4	3/4	1 3/4	1 3/4	3/8
VB100-50	1	1/2	1 3/4	1 1/2	3/8
VB100-75	1	3/4	1 3/4	1 3/4	3/8
VB125-75	1 1/4	3/4	1 7/8	1 3/4	3/8
VB125-100	1 1/4	1	1 7/8	1 3/4	3/8
VB150-75	1 1/2	3/4	1 7/8	1 3/4	3/8
VB150-100	1 1/2	1	1 7/8	1 3/4	3/8
VB150-125	1 1/2	1 1/4	2 1/4	2 1/4	1/2
VB200-100	2	1	1 7/8	1 3/4	3/8
VB200-125	2	1 1/4	2 1/4	2 1/4	1/2
VB200-150	2	1 1/2	2 1/2	2 1/2	1/2
VB250-125	2 1/2	1 1/4	2 1/4	2 1/4	1/2
VB250-150	2 1/2	1 1/2	2 1/2	2 1/2	1/2
VB250-200	2 1/2	2	2 3/4	2 3/4	1/2
VB300-125	3	1 1/4	2 1/4	2 1/4	1/2
VB300-150	3	1 1/2	2 1/2	2 1/2	1/2
VB300-200	3	2	2 3/4	2 3/4	1/2
VB350-125	3 1/2	1 1/4	2 3/4	2 1/4	1/2
VB350-150	3 1/2	1 1/2	2 3/4	2 1/2	1/2
VB350-200	3 1/2	2	2 3/4	2 3/4	1/2
VB400-125	4	1 1/4	2 3/4	2 1/4	1/2
VB400-150	4	1 1/2	2 3/4	2 1/2	1/2
VB400-200	4	2	2 3/4	2 3/4	1/2

DOSSERT®

TYPE VBPS

Double Tee Connector V-Type

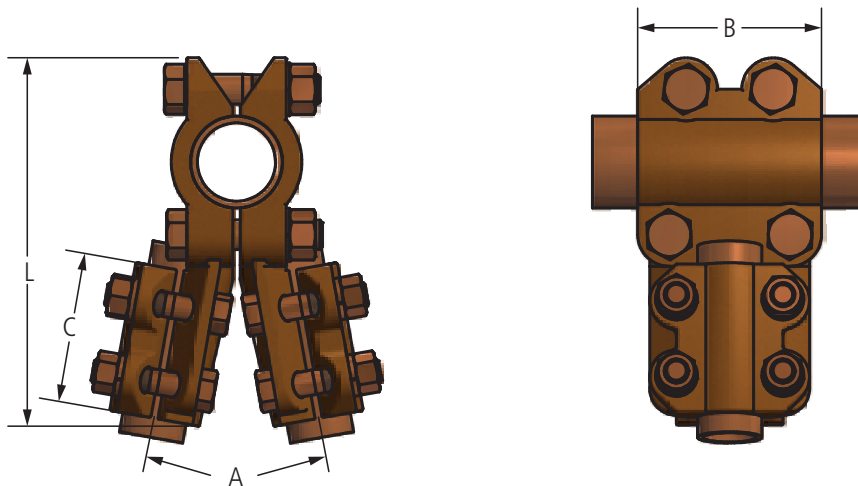
A V-type tee connector which can serve a two-fold purpose in acting as a structural member as well as a connector.

Material

Copper Alloy

Hardware

Everdur bolts, nuts and lockwashers



Ordering Information

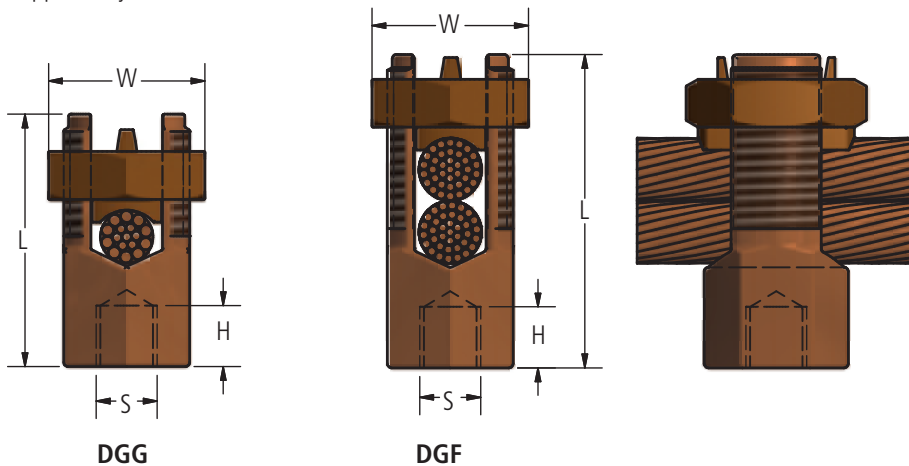
CATALOG NUMBER	SPS		DIMENSIONS IN INCHES			
	RUN	TAP	A	B	C	L
VBPS125-100-20-1/2	1 1/4	1	20°	2 1/2	2 1/2	6 1/2
VBPS150-100-30-1/2	1 1/2	1	30°	2 3/4	2 1/2	6 5/8
VBPS150-125-20	1 1/2	1 1/4	20°	2 3/4	2 3/4	6 7/8
VBPS200-100-20-1/2	2	1	20°	2 3/4	2 1/2	6 3/4
VBPS200-125-20	2	1 1/4	20°	2 3/4	2 1/2	7
VBPS200-125-30	2	1 1/4	30°	2 13/16	3	7 9/32
VBPS200-150-30	2	1 1/2	30°	2 13/16	2 15/16	7 9/32
VBPS200-200-30	2	2	30°	2 13/16	3	7 9/32
VBPS250-250-20	2 1/2	2 1/2	20°	2 3/4	2 3/4	7 3/8
VBPS250-150-30	2 1/2	1 1/2	30°	2 3/4	2 3/4	7 3/8
VBPS300-200-30	3	2	30°	3	2 3/4	8
VBPS300-300-30	3	3	30°	3	2 3/4	8
VBPS350-200-20	3 1/2	2	20°	3	2 3/4	8 1/2
VBPS350-200-30	3 1/2	2	30°	3	2 3/4	8 1/2

DOSSERT® TYPE DGF, DGG Copper Grounding Connector

Copper grounding connector for cable to structural steel, fence posts or groundplates. DGF accommodates two conductors and DGG accommodates one conductor.

Material

Copper Alloy



Ordering Information

CATALOG NUMBER		STRANDED CONDUCTOR SIZE		DIMENSIONS IN INCHES			
DGF SERIES	DGG SERIES	MIN	MAX	H	L	S	W
DGF1	DGG1	12 AWG	8 AWG	1/4	15/16	1/4-20	1/2
DGF2	DGG2	10 STR	7 STR	1/4	1 1/16	1/4-20	5/8
DGF3	DGG3	6 STR	5 STR	5/16	1 1/4	5/16-18	11/16
DGF5	DGG5	6 STR	3 STR	3/8	1 7/16	3/8-16	3/4
DGF6	DGG6	4 STR	2 STR	1	1 1/2	3/8-16	16/16
DGF10	DGG10	2 STR	1/0 STR	1/2	1 7/8	1/2-13	15/16
DGF13	DGG13	1/0 STR	2/0 STR	1/2	2	1/2-13	1 1/8
DGF21	DGG21	2/0 STR	4/0 STR	5/8	2 3/8	5/8-11	1 3/8
DGF35	DGG35	4/0 STR	350 MCM	5/8	2 3/4	5/8-11	1 11/16
DGF50	DGG50	300 MCM	500 MCM	3/4	3 1/8	3/4-10	2
DGF75	DGG75	500 MCM	750 MCM	7/8	4	7/8-9	2 3/8
DGF100	DGG100	750 MCM	1000 MCM	1	4 11/16	1-8	2 3/4

DOSSERT®

TYPE DGM, DGN

DGN Copper Grounding Connector for One Cable and DGM Copper Grounding Connector for Two Cables.

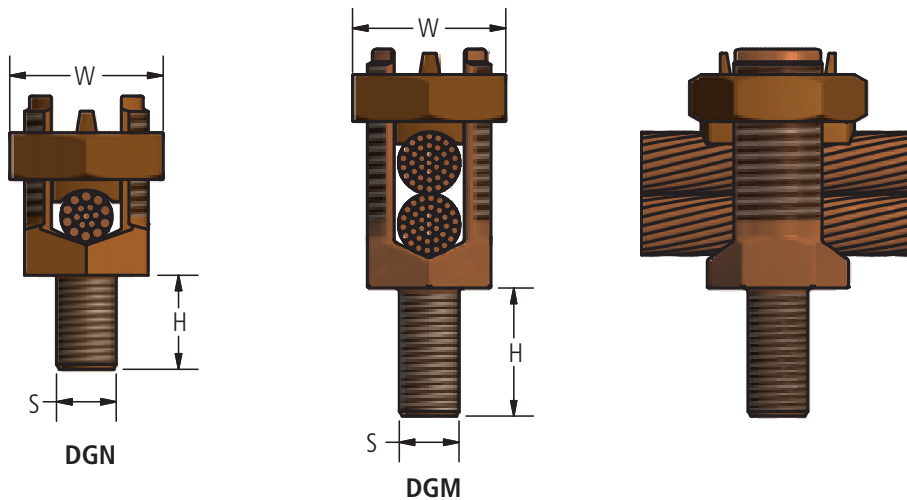
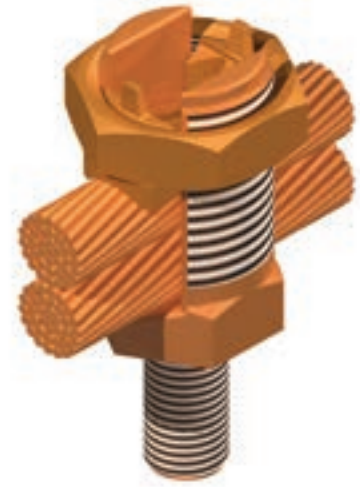
Copper grounding connector for cable to structural steel, fence posts or groundplates. May also be used on bus bar as a tap lug. DGM accommodates two conductors and DGN accommodates one conductor.

Material

Copper Alloy

Note

For tin plating add suffix "-SN" to the end of the catalog number.



Bronze Parallel, Cross, and Bar Taps

Ordering Information

CATALOG NUMBER		CONDUCTOR SIZE		DIMENSIONS IN INCHES		
		MIN	MAX	H	STUD DIAMETER (S)	W
DGM1	DGN1	10 STR	8 STR	1/2	1/4-20	1/2
DGM1L	DGN1L	10 STR	8 STR	1	1/4-20	1/2
DGM2	DGN2	10 STR	7 STR	1/2	1/4-20	5/8
DGM2L	DGN2L	10 STR	7 STR	1	1/4-20	5/8
DGM3	DGN3	6 STR	5 STR	5/8	5/16-18	11/16
DGM3L	DGN3L	6 STR	5 STR	1	5/16-18	11/16
DGM5	DGN5	6 STR	3 STR	5/8	3/8-16	3/4
DGM5L	DGN5L	6 STR	3 STR	1 1/8	3/8-16	3/4
DGM6	DGN6	4 STR	2 STR	5/8	3/8-16	13/16
DGM6L	DGN6L	4 STR	2 STR	1 1/8	3/8-16	13/16
DGM10	DGN10	2 STR	1/0 STR	3/4	1/2-13	15/16
DGM10L	DGN10L	2 STR	1/0 STR	1 1/4	1/2-13	15/16
DGM13	DGN13	1/0 STR	2/0 STR	3/4	1/2-13	1 1/8
DGM13L	DGN13L	1/0 STR	2/0 STR	1 1/4	1/2-13	1 1/8
DGM21	DGN21	2/0 STR	4/0 STR	1	5/8-11	1 3/8
DGM21L	DGN21L	2/0 STR	4/0 STR	1 1/2	5/8-11	1 3/8
DGM35	DGN35	4/0 STR	350 MCM	1	5/8-11	1 11/16
DGM35L	DGN35L	4/0 STR	350 MCM	1 1/2	5/8-11	1 11/16
DGM50	DGN50	300 MCM	500 MCM	1 1/4	3/4-10	2
DGM50L	DGN50L	300 MCM	500 MCM	1 3/4	3/4-10	2

DOSSERT®

TYPE DSU, DSUS

Heavy Duty Copper Service DSU comes without a spacer and retaining ring, DSUS has a spacer and retaining ring.

Rugged high strength but compact and easy to tape service connector. Washer and swivel action permit easy installation of conductors without inconvenience of loose hardware. Designed with extra wide contact. Particularly suitable for heavy duty permanent connections.

Material

Copper Alloy

Hardware

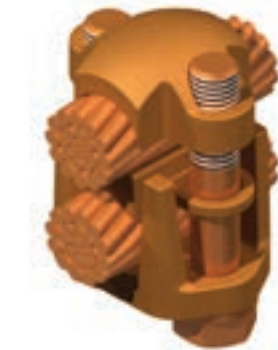
Everdur bolts, lockwashers and neoprene retainer

Notes

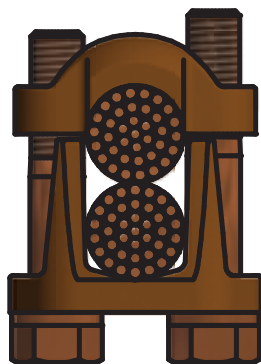
For 500 MCM connector with spacer, order: DSUS50.



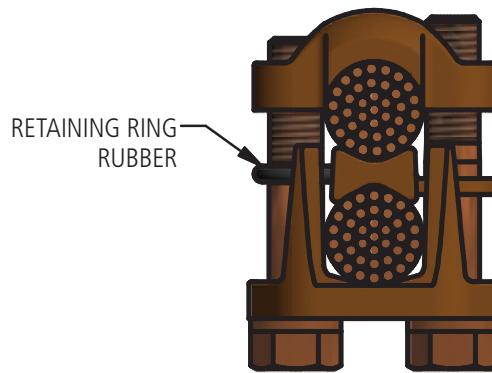
DSU



DSUS



DSU



DSUS

Ordering Information

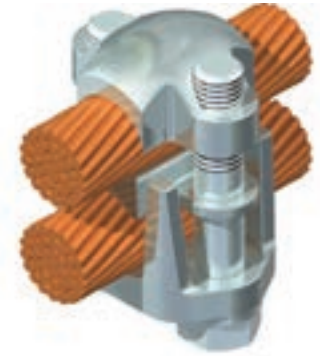
CATALOG NUMBER		MAXIMUM CONDUCTOR	
DSU	DSUS	COPPER	COPPERCLAD
DSU10	DSUS10	1/0 Str.-2/0 Solid	2/0 Solid
DSU13	DSUS13	2/0 Str.-3/0 Solid	3/0 Solid
DSU21	DSUS21	4/0 Sol.-4/0	4/0 Solid
DSU35	DSUS35	350 MCM	-
DSU50	DSUS50	500 MCM	-
DSU80	DSUS80	800 MCM	-
DSU100	DSUS100	1000 MCM	-

DOSSERT®

TYPE DSUN

Heavy Duty Tin Plated Copper Service

Rugged high strength but compact and easy to tape service connector. Washer and swivel action permit easy installation of conductors without inconvenience of loose hardware. Designed with extra wide contact. Particularly suitable for heavy duty permanent connections. Tin Plated with a spacer bar to accommodate all combinations of copper, aluminum and ACSR conductor.

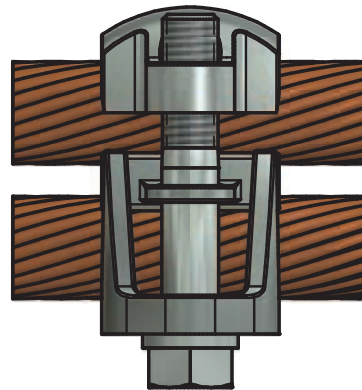
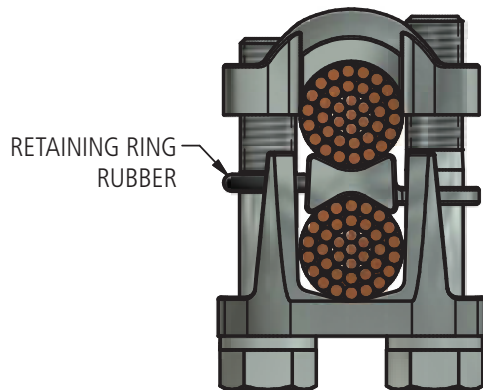


Material

Tin plated copper alloy

Hardware

Everdur bolts and lockwashers



Ordering Information

CATALOG NUMBER	CABLE RUN AND TAP				STEEL DIAMETER IN INCHES	SHIPPING WEIGHT POUNDS PER CARTON	QUANTITY IN CARTON
	COPPER	COPPERCLAD	ALUMINUM AWG	ALUMINUM ACSR			
DSUN10	1/0 Str.-2/0 Solid	2/0 Solid	1/0 Stranded	1/0	-	24	25
DSUN13	2/0 Str.-3/0 Solid	3/0 Solid	2/0 Stranded	2/0	7/16	50	25
DSUN21	4/0 Sol.-4/0	4/0 Solid	4/0 Stranded	3/0	1/2	72	25
DSUN35	350 MCM	-	350 MCM	300 MCM	5/8	120	12
DSUN50	500 MCM	-	500 MCM	397.5 MCM	3/4	150	12
DSUN80	800 MCM	-	800 MCM	715.5 MCM	1	240	6
DSUN100	1000 MCM	-	1000 MCM	900 MCM	1 1/8	320	6

DOSSERT® TYPE ES, ESS, ESSN

An economical house service entrance connector for joining two cables on end. This compact connector can be readily installed with either a wrench, pliers or a screw driver. Type ESS has multiple applications, it can be used with Copper and Aluminum conductors. Type ESSN is completely tin plated to prevent galvanic corrosion between two dissimilar metals.

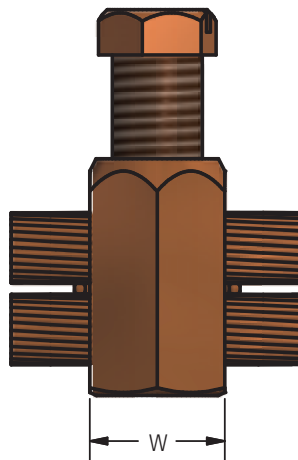
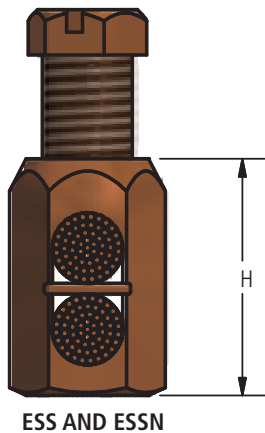
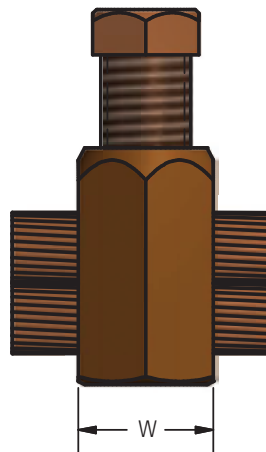
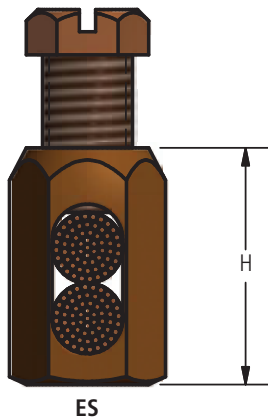


Material

Copper Alloy

Screw

Everdur



Ordering Information

CATALOG NUMBER			COPPER OR ALUMINUM CABLE		ALUMINUM ACSR		DIMENSIONS IN INCHES	
			MIN	MAX	MIN	MAX	H	W
ES-09	ESS-09	ESSN-09	12 SOL.	10 STR.	-	-	0.500	0.312
ES-1	ESS-1	ESSN-1	10 SOL.	8 STR.	-	-	0.560	0.312
ES-2	ESS-2	ESSN-2	8 SOL.	6 STR.	-	-	0.656	0.375
ES-4	ESS-4	ESSN-4	6 SOL.	4 STR.	8	5	0.750	0.438
ES-6	ESS-6	ESSN-6	4 SOL.	2 STR.	6	3	0.838	0.560

DOSSERT®

TYPE GPEX

Copper Universal Clamp For Cable

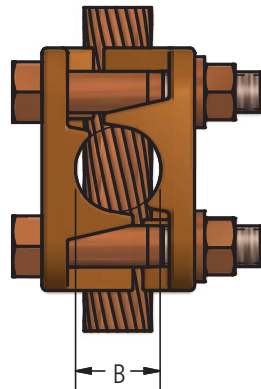
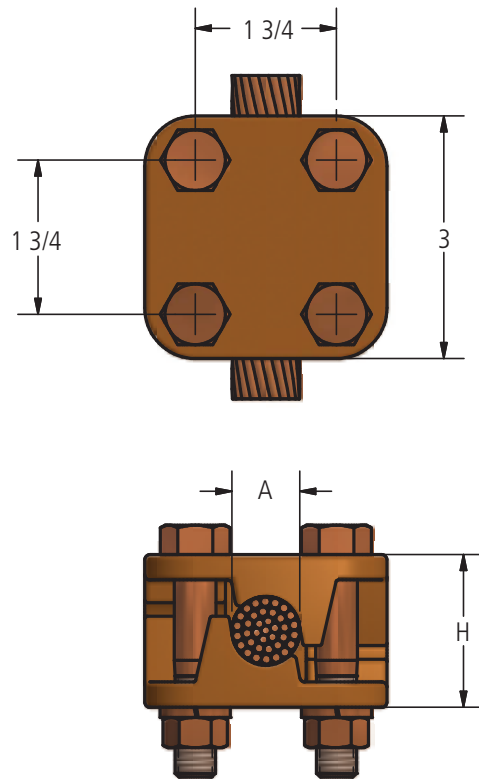
A versatile connector which takes a range of conductor sizes in two positions. Bolt positions held to NEMA standards enabling cable or pipe to be bolted directly to flat bar. Both outside faces machined flat for contact purposes. Used in conjunction with type CF braid straps to make various types of expansion connectors. Unless otherwise specified, bolt length supplied to accommodate one 1/4 inch bar.

Material

Copper Alloy

Hardware

Everdur bolts, nuts and lockwashers



Bronze Parallel, Cross, and Bar Taps

Ordering Information

CATALOG NUMBER	PIPE RANGE (A) SPS	CABLE RANGE A		DIAMETER RANGE A		PIPE RANGE (B) SPS	CABLE RANGE B		DIAMETER RANGE B		DIMENSIONS IN INCHES H
		MIN	MAX	MIN	MAX		MIN	MAX	MIN	MAX	
GPEX38-25	1/4	1 Stranded	4/0 Stranded	0.332	0.528	3/8	4/0 Stranded	350 MCM	0.528	0.681	1 3/8
GPEX75-50	1/2	300 MCM	500 MCM	0.630	0.814	3/4	550 MCM	800 MCM	0.855	1.031	1 5/8
GPEX100-75	3/4	550 MCM	800 MCM	0.855	1.031	1	900 MCM	1250 MCM	1.094	1.289	2 1/8



Bronze Parallel, Cross, and Bar Taps

DOSSERT®

TYPE GTV

Copper Gutter Tap Connector

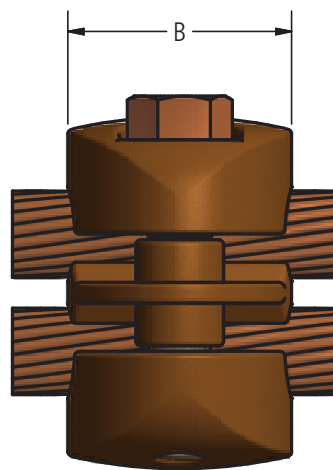
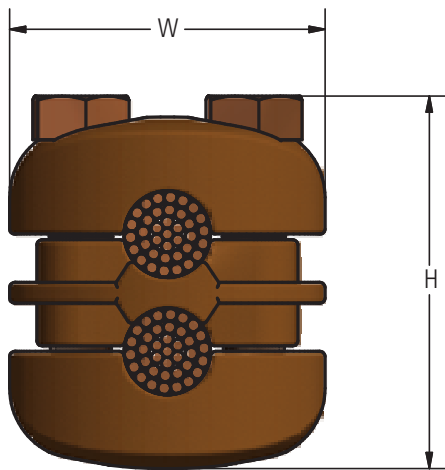
A variable type gutter tap which accommodates a wide range of cable sizes in both main and tap clamping sections. The variability of this unit minimizes the number of connectors required for a given number of combinations of cables. Compact in design and easy to tape.

Material

Copper Alloy

Hardware

Everdur bolts and lockwashers





Bronze Parallel, Cross, and Bar Taps

DOSSERT®

TYPE GTV Copper Gutter Tap Connector

Ordering Information

CATALOG NUMBER	CONDUCTOR				CLAMPING BOLTS	DIMENSIONS IN INCHES			BOLT SIZE
	RANGE MAIN		RANGE TAP			B	H MAX	W	
	MINIMUM	MAXIMUM	MINIMUM	MAXIMUM					
GTV4-4	8 SOLID	4 STRANDED	8 SOLID	4 STRANDED	2	1 1/8	1 9/16	1 9/16	3/8
GTV6-4	6 STRANDED	2 STRANDED	8 SOLID	4 STRANDED	2	1 1/8	1 9/16	1 9/16	3/8
GTV6-6	6 STRANDED	2 STRANDED	6 STRANDED	2 STRANDED	2	1 1/8	1 9/16	1 9/16	3/8
GTV13-4	3 STRANDED	2/0 STRANDED	8 SOLID	4 STRANDED	2	1 1/8	2	1 3/4	3/8
GTV13-6	3 STRANDED	2/0 STRANDED	6 STRANDED	2 STRANDED	2	1 1/8	1 7/8	1 3/4	3/8
GTV13-13	3 STRANDED	2/0 STRANDED	3 STRANDED	2/0 STRANDED	2	1 1/8	2 1/16	1 3/4	3/8
GTV21-4	1 STRANDED	4/0 STRANDED	8 SOLID	4 STRANDED	2	1 1/8	1 15/16	1 7/8	3/8
GTV21-6	1 STRANDED	4/0 STRANDED	6 STRANDED	2 STRANDED	2	1 1/8	2	1 7/8	3/8
GTV21-13	1 STRANDED	4/0 STRANDED	3 STRANDED	2/0 STRANDED	2	1 1/8	2	1 7/8	3/8
GTV21-21	1 STRANDED	4/0 STRANDED	1 STRANDED	2 STRANDED	2	1 1/8	2 1/8	1 7/8	3/8
GTV35-4	3/0 STRANDED	350 MCM	8 SOLID	4 STRANDED	2	1 3/8	2 1/16	2 1/8	3/8
GTV35-6	3/0 STRANDED	350 MCM	6 STRANDED	2 STRANDED	2	1 3/8	2 1/8	2 1/8	3/8
GTV35-13	3/0 STRANDED	350 MCM	3 STRANDED	2/0 STRANDED	2	1 3/8	2 1/4	2 1/8	3/8
GTV35-21	3/0 STRANDED	350 MCM	1 STRANDED	4/0 STRANDED	2	1 3/8	2 3/8	2 1/8	3/8
GTV35-35	3/0 STRANDED	350 MCM	3/0 STRANDED	350 MCM	2	1 1/4	2 3/16	1 15/16	3/8
GTV50-4	250 MCM	500 MCM	8 SOLID	4 STRANDED	2	1 3/8	2 5/16	2 1/4	3/8
GTV50-6	250 MCM	500 MCM	6 STRANDED	2 STRANDED	2	1 3/8	2 3/8	2 1/4	3/8
GTV50-13	250 MCM	500 MCM	3 STRANDED	2/0 STRANDED	2	1 3/8	2 1/2	2 1/4	3/8
GTV50-21	250 MCM	500 MCM	1 STRANDED	4/0 STRANDED	2	1 3/8	2 3/4	2 1/4	3/8
GTV50-35	250 MCM	500 MCM	3/0 STRANDED	350 MCM	2	1 3/8	2 7/8	2 1/4	3/8
GTV50-50	250 MCM	500 MCM	250 MCM	500 MCM	4	1 3/4	2 15/16	2 1/4	3/8
GTV80-4	400 MCM	800 MCM	8 SOLID	4 STRANDED	2	1 1/2	2 7/16	2 1/2	3/8
GTV80-6	400 MCM	800 MCM	6 STRANDED	2 STRANDED	2	1 1/2	2 1/2	2 1/2	3/8
GTV80-13	400 MCM	800 MCM	3 STRANDED	2/0 STRANDED	2	1 1/2	2 5/8	2 1/2	3/8
GTV80-21	400 MCM	800 MCM	1 STRANDED	4/0 STRANDED	2	1 1/2	2 3/4	2 1/2	3/8
GTV80-35	400 MCM	800 MCM	3/0 STRANDED	350 MCM	2	1 1/2	2 7/8	2 1/2	3/8
GTV80-50	400 MCM	800 MCM	250 MCM	500 MCM	4	1 3/4	3	2 1/2	3/8
GTV80-80	400 MCM	800 MCM	400 MCM	800 MCM	4	1 3/4	3 1/4	2 1/2	3/8
GTV100-4	500 MCM	1000 MCM	8 SOLID	4 STRANDED	2	1 1/2	2 9/16	2 5/8	3/8
GTV100-6	500 MCM	1000 MCM	6 STRANDED	2 STRANDED	2	1 1/2	2 5/8	2 5/8	3/8
GTV100-13	500 MCM	1000 MCM	3 STRANDED	2/0 STRANDED	2	1 1/2	2 3/4	2 5/8	3/8
GTV100-21	500 MCM	1000 MCM	1 STRANDED	4/0 STRANDED	2	1 1/2	2 7/8	2 5/8	3/8
GTV100-35	500 MCM	1000 MCM	3/0 STRANDED	350 MCM	2	1 1/2	3	2 5/8	3/8
GTV100-50	500 MCM	1000 MCM	250 MCM	500 MCM	4	1 3/4	3 1/8	2 5/8	3/8
GTV100-80	500 MCM	1000 MCM	400 MCM	800 MCM	4	1 3/4	3 3/8	2 5/8	3/8
GTV100-100	500 MCM	1000 MCM	500 MCM	1000 MCM	4	1 3/4	3 1/2	2 5/8	3/8
GTV150-4	850 MCM	1500 MCM	8 SOLID	4 STRANDED	2	1 3/4	3 5/16	2 7/8	3/8
GTV150-6	850 MCM	1500 MCM	6 STRANDED	2 STRANDED	2	1 3/4	3 3/8	2 7/8	3/8
GTV150-13	850 MCM	1500 MCM	3 STRANDED	2/0 STRANDED	2	1 3/4	3 1/2	2 7/8	3/8
GTV150-21	850 MCM	1500 MCM	1 STRANDED	4/0 STRANDED	2	1 3/4	3 5/8	2 7/8	3/8
GTV150-35	850 MCM	1500 MCM	3/0 STRANDED	350 MCM	2	1 3/4	3 3/4	2 7/8	3/8
GTV150-50	850 MCM	1500 MCM	250 MCM	500 MCM	4	1 3/4	3 7/8	2 7/8	3/8
GTV150-80	850 MCM	1500 MCM	400 MCM	800 MCM	4	1 3/4	4	2 7/8	3/8
GTV150-100	850 MCM	1500 MCM	500 MCM	1000 MCM	4	1 3/4	4 1/8	2 7/8	3/8
GTV150-150	850 MCM	1500 MCM	850 MCM	1500 MCM	4	2 1/4	4 3/8	3 1/4	1/2
GTV200-4	1200 MCM	2000 MCM	8 SOLID	4 STRANDED	2	2	3 3/16	3	3/8
GTV200-6	1200 MCM	2000 MCM	6 STRANDED	2 STRANDED	2	2	3 1/4	3	3/8
GTV200-13	1200 MCM	2000 MCM	3 STRANDED	2/0 STRANDED	2	2	3 3/8	3	3/8
GTV200-21	1200 MCM	2000 MCM	1 STRANDED	4/0 STRANDED	2	2	3 1/2	3	3/8
GTV200-35	1200 MCM	2000 MCM	3/0 STRANDED	350 MCM	4	2 3/8	3 15/16	3 1/4	3/8
GTV200-50	1200 MCM	2000 MCM	250 MCM	500 MCM	4	2 1/4	3 15/16	3	3/8
GTV200-80	1200 MCM	2000 MCM	400 MCM	800 MCM	4	2	4	3	3/8
GTV200-100	1200 MCM	2000 MCM	500 MCM	1000 MCM	4	2	4 1/4	3	3/8
GTV200-150	1200 MCM	2000 MCM	850 MCM	1500 MCM	4	2 1/4	4 1/2	3 1/2	3/8
GTV200-200	1200 MCM	2000 MCM	1200 MCM	2000 MCM	4	2 1/4	4 3/4	3 1/2	1/2

Bronze Parallel, Cross, Bar Taps

DOSSERT®

TYPE GTX

Copper Two Position Variable Distribution Tap

A variable type distribution tap for making parallel taps and cross connections. Each connector accommodates a range of cable sizes in each position.

Material

Copper Alloy

Hardware

Everdur bolts and lockwashers

Note

For tin plating add suffix "-SN" to catalog number.

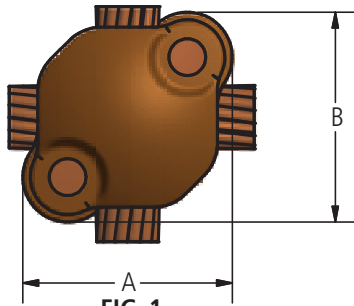


FIG. 1

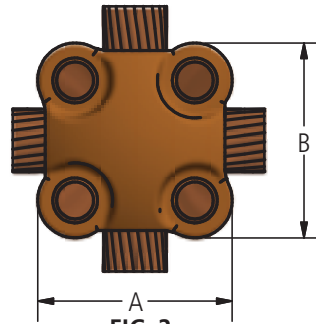
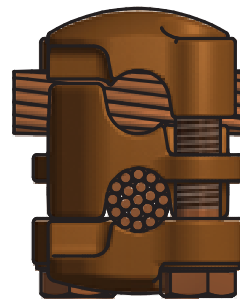
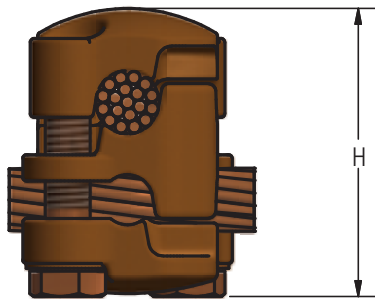


FIG. 2



Ordering Information

CATALOG NUMBER	FIG. NO.	CABLE RANGE				DIMENSIONS IN INCHES			U-BOLT SIZE
		RUN		TAP		A	B	H	
		MIN	MAX	MIN	MAX				
GTX6-6	1	6 Stranded	2 Stranded	6 Stranded	2 Stranded	1 3/8	1 3/8	1 3/4	5/16
GTX21-6	1	1 Stranded	4/0 Stranded	6 Stranded	2 Stranded	1 5/8	1 1/2	2	5/16
GTX21-21	1	1 Stranded	4/0 Stranded	1 Stranded	4/0 Stranded	1 3/4	1 3/4	2 3/8	3/8
GTX50-6	1	250 MCM	500 MCM	6 Stranded	2 Stranded	1 7/8	1 5/8	2 5/16	5/16
GTX50-21	1	250 MCM	500 MCM	1 Stranded	4/0 Stranded	1 13/16	2 1/16	2 3/4	3/8
GTX50-50	2	250 MCM	500 MCM	250 MCM	500 MCM	2 1/16	2 1/16	3	3/8
GTX100-6	1	500 MCM	1000 MCM	6 Stranded	2 Stranded	2 1/4	2 3/8	2 7/8	3/8
GTX100-21	1	500 MCM	1000 MCM	1 Stranded	4/0 Stranded	2 1/4	2 3/8	3 1/4	3/8
GTX100-50	2	500 MCM	1000 MCM	250 MCM	500 MCM	2 1/4	2 3/8	3 5/8	3/8
GTX100-100	2	500 MCM	1000 MCM	500 MCM	1000 MCM	2 3/8	2 3/8	3 7/8	3/8

DOSSERT®

TYPE PC

Copper Connector For Two Cable In Parallel

A clamp type connector for connecting two cable or wire conductors in parallel. Specially serated bearing areas provide a high electrical contact efficiency and high pull-out strength.

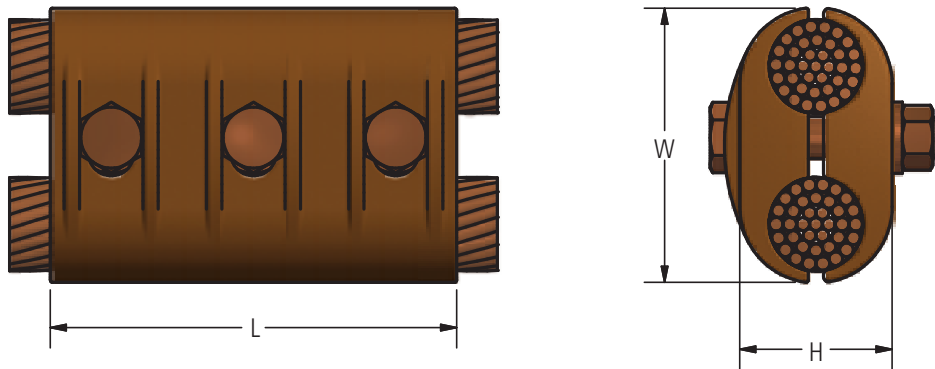


Material

Copper Alloy

Hardware

Everdur bolts, nuts and lockwashers



Ordering Information

CATALOG NUMBER	CABLE RANGE		DIMENSIONS IN INCHES			BOLT SIZE
	RUN	TAP	H	L	W	
PC4-4	4	4 Str	9/16	2 1/4	1 5/16	5/16
PC5-4	3	4 Str	9/16	2 1/4	1 5/16	5/16
PC5-5	3	3 Str	9/16	2 1/4	1 5/16	5/16
PC6-4	2	4 Str	5/8	2 1/4	1 3/8	5/16
PC6-5	2	3 Str	5/8	2 1/4	1 3/8	5/16
PC6-6	1	2 Str	3/4	2 1/4	1 1/2	5/16
PC8-4	1 Str	4 Str	3/4	2 1/4	1 3/8	5/16
PC8-5	1 Str	3 Str	3/4	2 1/4	1 3/8	5/16
PC8-6	1 Str	2 Str	3/4	2 1/4	1 7/16	5/16
PC8-8	1 Str	1 Str	3/4	2 1/4	1 7/16	5/16
PC10-4	1/0 Str	4 Str	1	2 1/2	1 5/16	3/8
PC10-5	1/0 Str	3 Str	1	2 1/2	1 7/16	3/8
PC10-6	1/0 Str	2 Str	1	2 1/2	1 1/2	3/8
PC10-8	1/0 Str	1 Str	1	2 1/2	1 1/2	3/8
PC10-10	1/0 Str	1/0 Str	1	3	1 5/8	3/8
PC13-4	2/0 Str	4 Str	1 3/16	2 1/2	1 7/16	3/8
PC13-5	2/0 Str	3 Str	1 3/16	2 1/2	1 1/2	3/8
PC13-6	2/0 Str	2 Str	1 3/16	2 1/2	1 1/2	3/8
PC13-8	2/0 Str	1 Str	1 3/16	2 1/2	1 9/16	3/8
PC13-10	2/0 Str	1/0 Str	1 3/16	3	1 9/16	3/8
PC13-13	2/0 Str	2/0 Str	1 3/16	3	1 5/8	3/8
PC17-4	3/0 Str	4 Str	1 3/16	2 1/2	1 1/2	3/8
PC17-5	3/0 Str	3 Str	1 3/16	2 1/2	1 1/2	3/8
PC17-6	3/0 Str	2 Str	1 3/16	2 3/4	1 9/16	3/8
PC17-8	3/0 Str	1 Str	1 3/16	2 3/4	1 9/16	3/8
PC17-10	3/0 Str	1/0 Str	1 3/16	3	1 5/8	3/8
PC17-13	3/0 Str	2/0 Str	1 3/16	3	1 5/8	3/8
PC17-17	3/0 Str	3/0 Str	1 3/16	4	1 11/16	3/8
PC21-4	4/0 Str	4 Str	1 3/16	2 1/2	1 1/2	3/8
PC21-5	4/0 Str	3 Str	1 3/16	2 1/2	1 9/16	3/8
PC21-6	4/0 Str	2 Str	1 1/8	3	1 7/8	1/2
PC21-8	4/0 Str	1 Str	1 3/16	2 3/4	1 5/8	3/8

Bronze Parallel, Cross, and Bar Taps

DOSSERT®

TYPE PC

Copper Connector For Two Cable In Parallel

Ordering Information

CATALOG NUMBER	CABLE RANGE		DIMENSIONS IN INCHES			BOLT SIZE
	RUN	TAP	H	L	W	
PC21-10	4/0 Str	1/0 Str	1 3/16	3	1 11/16	3/8
PC21-13	4/0 Str	2/0 Str	1 1/16	3	1 11/16	3/8
PC21-17	4/0 Str	3/0 Str	1 3/16	4	1 13/16	3/8
PC21-21	4/0 Str	4/0 Str	1 3/16	4	1 3/4	3/8
PC25-6	250 MCM	2 Str	1 3/16	2 3/4	1 5/8	3/8
PC25-8	250 MCM	1 Str	1 3/16	2 3/4	1 5/8	3/8
PC25-10	250 MCM	1/0 Str	1 3/16	3	1 3/4	3/8
PC25-13	250 MCM	2/0 Str	1 3/16	3	1 3/4	3/8
PC25-17	250 MCM	3/0 Str	1 3/16	4	1 7/8	3/8
PC25-21	250 MCM	4/0 Str	1 3/16	4	1 15/16	3/8
PC25-25	250 MCM	250 MCM	1 3/16	4	2	3/8
PC30-8	300 MCM	1 Str	1 3/16	2 3/4	1 3/4	3/8
PC30-10	300 MCM	1/0 Str	1 3/16	3	1 13/16	3/8
PC30-13	300 MCM	2/0 Str	1 3/16	3	1 15/16	3/8
PC30-17	300 MCM	3/0 Str	1 3/16	4	1 15/16	3/8
PC30-21	300 MCM	4/0 Str	1 3/16	4	2	3/8
PC30-25	300 MCM	250 MCM	1 3/16	4	2 1/16	3/8
PC30-30	300 MCM	300 MCM	1 3/16	4	2 1/16	3/8
PC35-8	350 MCM	1 Str	1 1/4	2 3/4	1 7/8	3/8
PC35-10	350 MCM	1/0 Str	1 1/4	3	1 7/8	3/8
PC35-13	350 MCM	2/0 Str	1 1/4	3	1 7/8	3/8
PC35-17	350 MCM	3/0 Str	1 1/4	4	2	3/8
PC35-21	350 MCM	4/0 Str	1 1/4	4	2	3/8
PC35-25	350 MCM	250 MCM	1 1/4	4	2 1/8	3/8
PC35-30	350 MCM	300 MCM	1 1/4	4	2 1/8	3/8
PC35-35	350 MCM	350 MCM	1 1/4	4	2 3/16	3/8
PC40-10	400 MCM	1/0 Str	1 5/16	3	1 7/8	3/8
PC40-13	400 MCM	2/0 Str	1 5/16	3	1 7/8	3/8
PC40-17	400 MCM	3/0 Str	1 5/16	4	2 1/16	3/8
PC40-21	400 MCM	4/0 Str	1 5/16	4	2 1/16	3/8
PC40-25	400 MCM	250 MCM	1 5/16	4	2 1/8	3/8
PC40-30	400 MCM	300 MCM	1 5/16	4	2 1/8	3/8
PC40-35	400 MCM	350 MCM	1 5/16	4	2 1/4	3/8
PC40-40	400 MCM	400 MCM	1 5/16	4	2 1/4	3/8
PC50-10	500 MCM	1/0 Str	1 3/8	3	1 15/16	3/8
PC50-13	500 MCM	2/0 Str	1 3/8	3	2	3/8
PC50-17	500 MCM	3/0 Str	1 3/8	4	2 3/16	3/8
PC50-21	500 MCM	4/0 Str	1 3/8	4	2 3/16	3/8
PC50-25	500 MCM	250 MCM	1 3/8	4	2 1/4	3/8
PC50-30	500 MCM	300 MCM	1 3/8	4	2 1/4	3/8
PC50-35	500 MCM	350 MCM	1 3/8	4	2 5/16	3/8
PC50-40	500 MCM	400 MCM	1 3/8	4	2 5/16	3/8
PC50-50	500 MCM	500 MCM	1 1/2	5	2 1/2	1/2
PC60-13	600 MCM	2/0 Str	1 1/2	3	2 1/8	3/8
PC60-17	600 MCM	3/0 Str	1 1/2	4	2 3/16	3/8
PC60-21	600 MCM	4/0 Str	1 1/2	4	2 3/16	3/8
PC60-25	600 MCM	250 MCM	1 1/2	4	2 5/16	3/8
PC60-30	600 MCM	300 MCM	1 1/2	4	2 5/16	3/8
PC60-35	600 MCM	350 MCM	1 1/2	4	2 3/8	3/8
PC60-40	600 MCM	400 MCM	1 1/2	4	2 3/8	3/8
PC60-50	600 MCM	500 MCM	1 11/16	5	2 5/8	1/2
PC60-60	600 MCM	600 MCM	1 11/16	5	2 3/4	1/2
PC70-13	700 MCM	2/0 Str	1 5/8	3	2 3/16	3/8
PC70-17	700 MCM	3/0 Str	1 5/8	4	2 1/4	3/8
PC70-21	700 MCM	4/0 Str	1 5/8	4	2 1/4	3/8
PC70-25	700 MCM	250 MCM	1 5/8	4	2 3/8	3/8
PC70-30	700 MCM	300 MCM	1 5/8	4	2 3/8	3/8
PC70-35	700 MCM	350 MCM	1 5/8	4	2 1/2	3/8
PC70-40	700 MCM	400 MCM	1 5/8	4	2 1/2	3/8
PC70-50	700 MCM	500 MCM	1 13/16	5	2 11/16	1/2
PC70-60	700 MCM	600 MCM	1 13/16	5	2 13/16	1/2
PC70-70	700 MCM	700 MCM	1 13/16	5	2 7/8	1/2
PC75-21	750 MCM	4/0 Str	1 11/16	4	2 5/16	3/8

Bronze Parallel,
Cross, and Bar Taps

DOSSERT®

TYPE PC

Copper Connector For Two Cable In Parallel

Ordering Information

CATALOG NUMBER	CABLE RANGE		DIMENSIONS IN INCHES			BOLT SIZE
	RUN	TAP	H	L	W	
PC75-25	750 MCM	250 MCM	1 11/16	4	2 7/16	3/8
PC75-30	750 MCM	300 MCM	1 11/16	4	2 7/16	3/8
PC75-35	750 MCM	350 MCM	1 11/16	4	2 1/2	3/8
PC75-40	750 MCM	400 MCM	1 11/16	4	2 1/2	3/8
PC75-50	750 MCM	500 MCM	1 3/4	5	2 3/4	1/2
PC75-60	750 MCM	600 MCM	1 3/4	5	2 7/8	1/2
PC75-70	750 MCM	700 MCM	1 3/4	5	2 15/16	1/2
PC75-75	750 MCM	750 MCM	1 3/4	5	3	1/2
PC80-21	800 MCM	4/0 Str	1 3/4	4	2 15/16	3/8
PC80-25	800 MCM	250 MCM	1 3/4	4	2 7/16	3/8
PC80-30	800 MCM	300 MCM	1 3/4	4	2 7/16	3/8
PC80-35	800 MCM	350 MCM	1 3/4	4	2 1/2	3/8
PC80-40	800 MCM	400 MCM	1 3/4	4	2 5/8	3/8
PC80-50	800 MCM	500 MCM	1 7/8	5	2 3/4	1/2
PC80-60	800 MCM	600 MCM	1 7/8	5	2 7/8	1/2
PC80-70	800 MCM	700 MCM	1 7/8	5	2 15/16	1/2
PC80-75	800 MCM	750 MCM	1 7/8	5	3	1/2
PC80-80	800 MCM	800 MCM	1 7/8	5	3	1/2
PC100-21	1000 MCM	4/0 Str	1 3/4	4	2 1/2	3/8
PC100-25	1000 MCM	250 MCM	1 3/4	4	2 9/16	3/8
PC100-30	1000 MCM	300 MCM	1 3/4	4	2 9/16	3/8
PC100-35	1000 MCM	350 MCM	1 3/4	4	2 5/8	3/8
PC100-40	1000 MCM	400 MCM	1 3/4	4	2 5/8	3/8
PC100-50	1000 MCM	500 MCM	1 7/8	5	2 7/8	1/2
PC100-60	1000 MCM	600 MCM	1 7/8	5	3	1/2
PC100-70	1000 MCM	700 MCM	1 7/8	5	3 1/16	1/2
PC100-75	1000 MCM	750 MCM	1 7/8	5	3 1/8	1/2
PC100-80	1000 MCM	800 MCM	1 7/8	5	3 1/8	1/2
PC100-100	1000 MCM	1000 MCM	1 7/8	5	3 1/4	1/2

DOSSERT®

TYPE Q2L, Q2L-E

Copper Service Tap Connector For Two Cables To Flat

Double tap lugs series are designed to fit NEMA two hole pads with two 9/16 inch holes on 1 3/4 inch center except the small sizes. Compact construction and two high strength clamp members reduce cantilever distance and increase pull out resistance of conductors.

Material

Copper Alloy

Hardware

Everdur nuts and lockwashers

Note

Type Q2L is for use with 1/4 inch bus bar. Type Q2L-E is for use with 1/2-3/4 inch bus bar.



Bronze Parallel, Cross, and Bar Taps

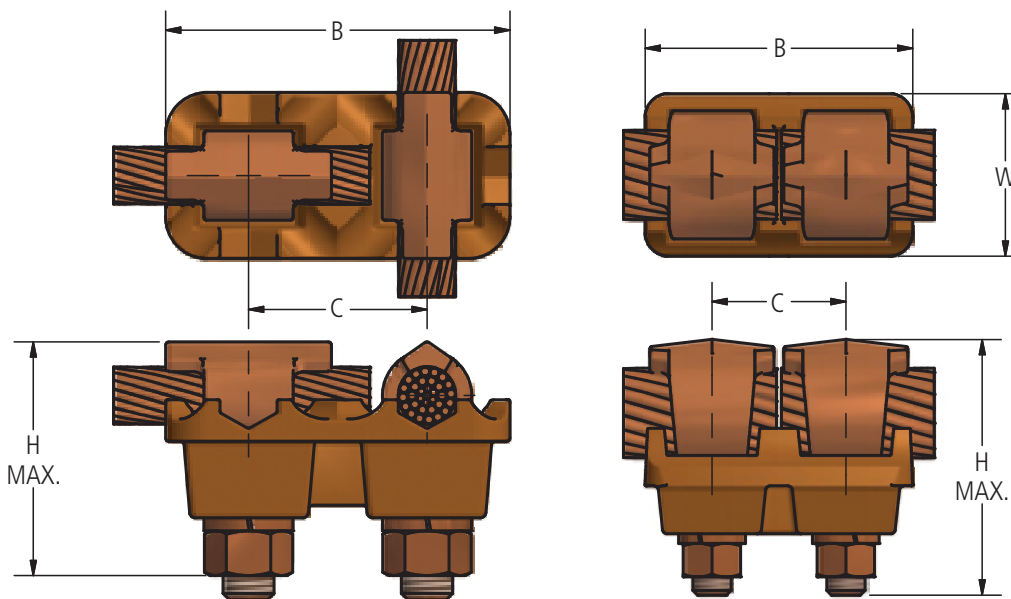


FIG. 1

FIG. 2

Ordering Information

CATALOG NUMBER		CABLE RANGE		FIGURE NUMBER	DIMENSIONS IN INCHES				U-BOLT SIZE
		MIN	MAX		B	C	H MAXIMUM	W	
Q2L8	Q2L8E	10 Solid	#1 Stranded	1	2 1/4	1 1/4	1 15/16	1 1/8	3/8
Q2L13	Q2L13E	8 Solid	2/0 Stranded	1	2 3/8	1 1/4	2	1 1/4	3/8
Q2L13-50	Q2L13-50E	8 Solid	2/0 Stranded	1	3 1/8	1 3/4	2 1/4	1 1/2	1/2
Q2L25	Q2L25E	6 Solid	250 MCM	1	3 3/8	1 3/4	2 5/8	1 5/8	1/2
Q2L35	Q2L35E	2 Solid	350 MCM	1	3 1/2	1 3/4	2 3/4	1 3/4	1/2
Q2L50	Q2L50E	1/0 Solid	500 MCM	2	4	1 3/4	3 1/8	1 13/16	1/2
Q2L75	Q2L75E	350 MCM	750 MCM	2	4	1 3/4	3 1/4	1 7/8	1/2
Q2L100	Q2L100E	500 MCM	1000 MCM	2	4	1 3/4	3 3/8	2 1/8	1/2

DOSSERT®

TYPE QL, QL-E

Service Tap Connector For Cable To Flat Bus Bar

A versatile service tap connector which takes a wide range of cable sizes. Used for mounting on switch pads, current transformer terminals, and miscellaneous flat bus conductors. The single hole mounting enables the plane of the flat bus.

Material

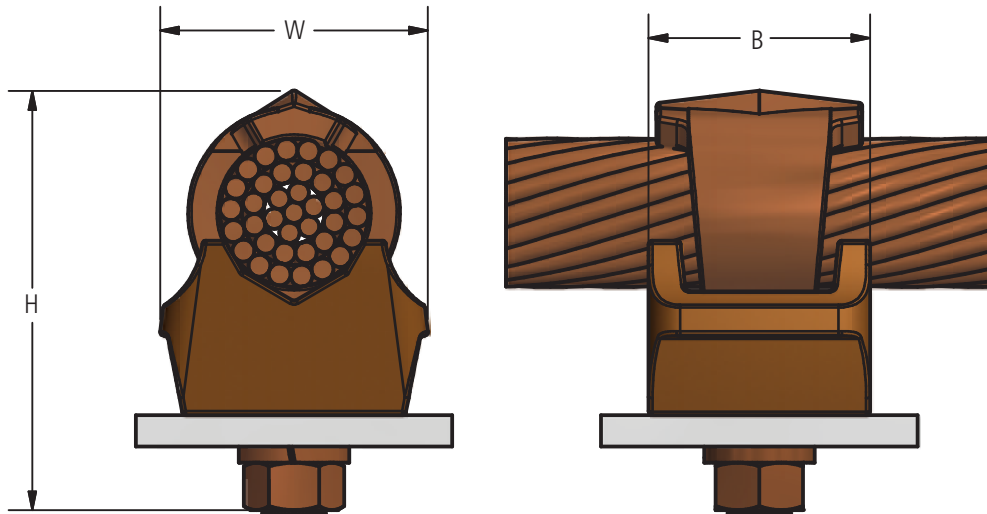
Copper Alloy

Hardware

Everdur nuts and lockwashers

Notes

- QL is for use with 1/4 inch bus bar. Type QL-E is for use with 1/2-3/4 inch bus bar.
- For Stainless Steel Hardware, add "-SS" to catalog number. EX: QL25-SS



Bronze Parallel, Cross, and Bar Taps

Ordering Information

CATALOG NUMBER		CABLE RANGE		DIMENSIONS IN INCHES			U-BOLT SIZE
1/4" BAR	3/4" BAR	MIN	MAX	B	H MAX	W	
QL8	QL8E	10 Solid	#1 Stranded	1 1/16	1 15/16	7/8	3/8
QL13	QL13E	8 Solid	2/0 Stranded	1 1/4	2	1 1/16	3/8
QL13-50	QL13-50E	8 Solid	2/0 Stranded	1 1/4	2 1/4	1 1/16	1/2
QL25	QL25E	6 Solid	250 MCM	1 5/8	2 5/8	1 5/16	1/2
QL35	QL35E	2 Solid	350 MCM	1 11/16	2 3/4	1 3/8	1/2
QL50	QL50E	1/0 Solid	500 MCM	2 3/16	3 1/8	1 3/4	1/2
QL75	QL75E	350 MCM	750 MCM	2 1/4	3 1/4	1 7/8	1/2
QL100	QL100E	500 MCM	1000 MCM	2 1/4	3 3/8	2 1/16	1/2

DOSSERT®

TYPE TL, TL-E, T2L, T2L-E

Copper Low Mount Tap Lug For Cable To Flat Bar

A low mount tap lug for cable to bar connections. Finds wide application on current transformers and tap connections for metering equipment. See Type T2L for double tap design. Type T2L is designed to meet NEMA pad drilling and all sizes can mount side by side without interference.

Material

Copper Alloy

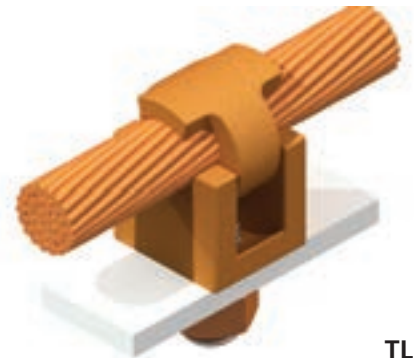
Eyebolt- Aluminum Bronze

Hardware

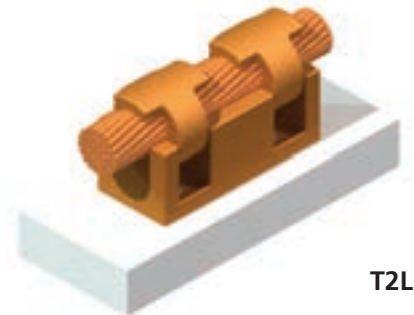
Nut and lock washers-Everdur.

Note

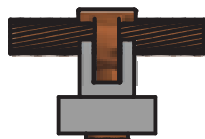
- Type TL is for use with 1/4 inch bar. Type TL-E is use with 1/2 - 3/4 inch bar.
- For Double Tap lug change TL to T2L.
- For Silver palated finish add suffix (AG) to catalog number Ex: TL13-AG



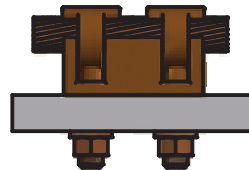
TL



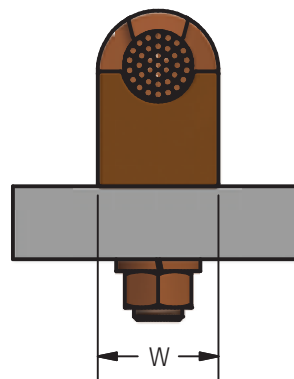
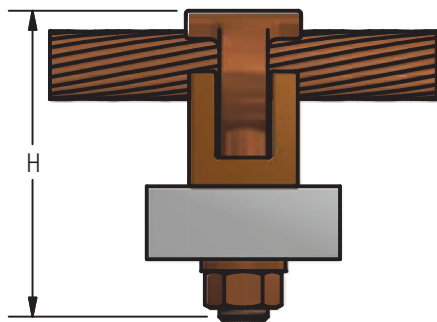
T2L



TL AND TL-E



T2L AND T2L-E



Ordering Information

FOR BAR THICKNESS				CABLE RANGE		DIMENSIONS IN INCHES COMMON TO BOTH 1/4 AND 3/4 TYPES		
1/4"		3/4"						
CATALOG NUMBER	H	CATALOG NUMBER	H	MIN	MAX	B	W	BOLT SIZE
TL6	1 3/4	TL6E	2 1/4	10 Solid	#2 Str	13/16	3/4	3/8
TL13	2 3/16	TL13E	2 11/16	8 Solid	2/0 Str	1	1	1/2
TL25	2 7/16	TL25E	2 15/16	6 Solid	250 MCM	1	1	1/2
TL35	2 11/16	TL35E	3 3/16	2 Solid	350 MCM	1 1/8	1 1/4	1/2
TL50	2 7/8	TL50E	3 3/8	#1/0 Solid	500 MCM	1 5/16	1 5/16	1/2
TL75	2 13/16	TL75E	3 5/16	350 MCM	750 MCM	1 3/8	1 1/2	1/2
TL100	3 1/4	TL100E	3 3/4	500 MCM	1000 MCM	1 1/2	1 11/16	1/2

DOSSERT®

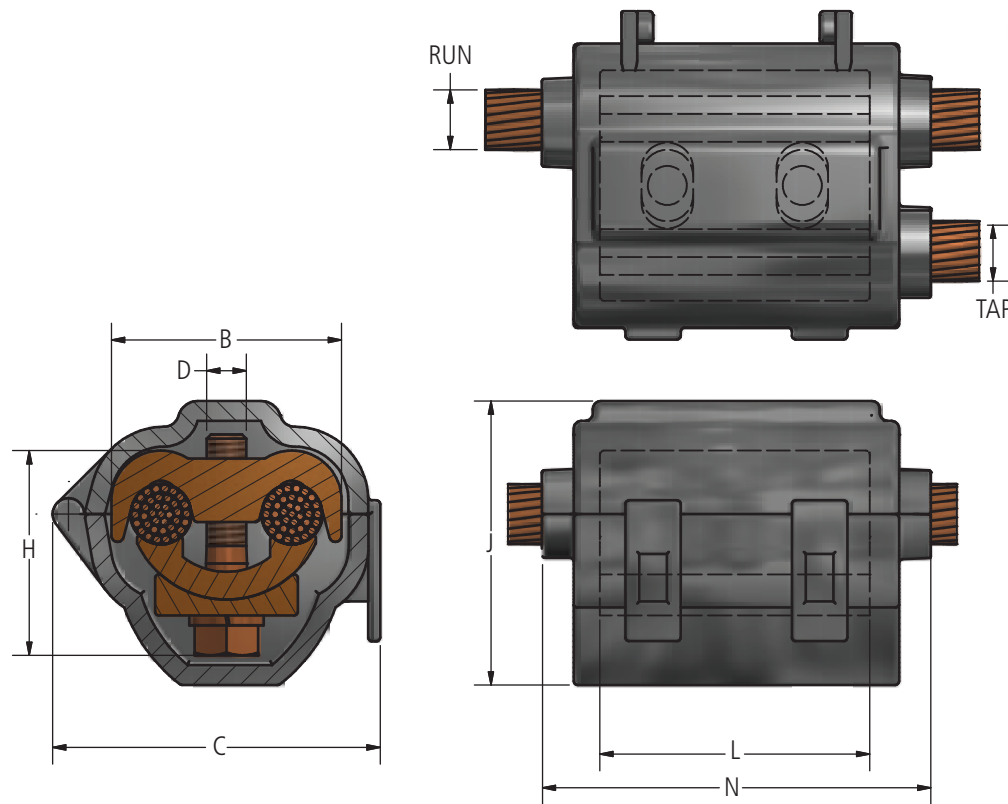
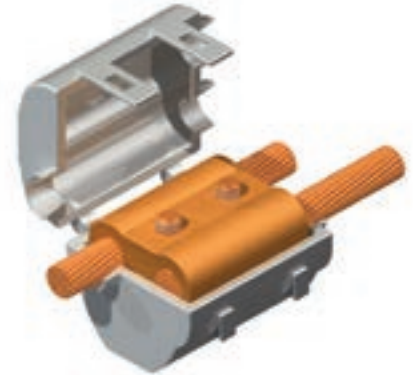
TYPE TRV Parallel Connector

Material

Copper Alloy

Hardware

Everdur-bolts and lock washers, Black Polyethylene Cover.



Ordering Information

CATALOG NUMBER	CABLE RANGE				DIMENSIONS IN INCHES						
	MAIN		TAP		B	C	D	H	J	L	N
	MIN	MAX	MIN	MAX							
TRV10-10	#8	# 1/0	#8	# 1/0	1 8/16	2 11/32	5/16	1 6/16	1 25/32	1 10/16	2 5/8
TRV17-10	#4	# 3/0	#8	# 1/0	17/10	2 19/32	3/8	1 10/16	2 1/32	2 2/16	3 1/8
TRV17-17	#4	# 3/0	#4	# 3/0	1 3/4	2 19/32	3/8	1 10/16	2 1/32	2 2/16	3 1/8
TRV10-35	#8	# 1/0	# 3/0	350	2 1/16	2 15/16	3/8	1 14/16	2 7/32	2 2/16	3 1/8
TRV35-10	# 3/0	350	#8	# 1/0	2 1/16	2 15/16	3/8	1 14/16	2 7/32	2 2/16	3 1/8
TRV35-35	# 3/0	350	# 3/0	350	2 5/16	3 5/32	3/8	1 15/16	2 1/4	2 2/16	3 1/8

DOSSERT®

TYPE UD Universal Parallel Clamp

A universal clamp to provide a connection for two cables or wires over a wide range of sizes. The interlocking of the halves of this clamp insures a good grip and high area of a contact for all conductors.

Material

Copper Alloy

Hardware

Everdur bolts, nuts and lockwashers

Notes

- Voltage rating is 230KV
- For tin plating add "-SN" to end of catalog number. EX: UD50-21-SN
- Also add "GS" for galvanized steel hardware.

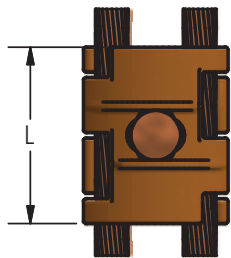


FIG. 1

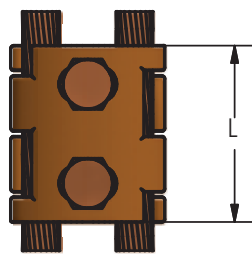


FIG. 2

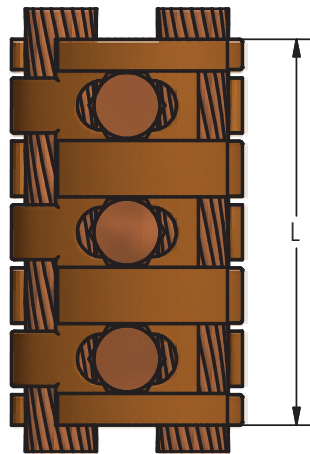
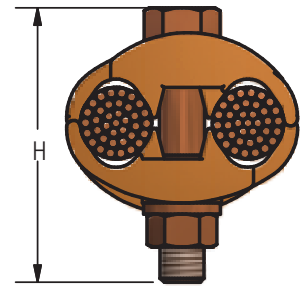


FIG. 3



Ordering Information

CATALOG NUMBER	CONDUCTOR RANGE FOR RUN AND TAP	FIG. NO.	DIMENSIONS IN INCHES		
			H	L	BOLT SIZE
UD10-2	No. 6 Solid - 1/0 Stranded	1	1 3/4	2	3/8
UD21-4	No. 4 Solid - 4/0 Stranded	2	2	2 1/4	3/8
UD30-6	No. 2 Solid - 300 kcmil	2	2 1/4	2 1/2	3/8
UD50-21	4/0 Stranded - 500 kcmil	3	2 3/4	4 3/8	1/2
UD80-30	300 Stranded - 800 kcmil	3	3 1/4	4 1/2	1/2
UD100-50	500 Stranded - 1000 kcmil	3	3 1/2	4 5/8	1/2

DOSSERT® TYPE UDV Compact Parallel Groove Connector

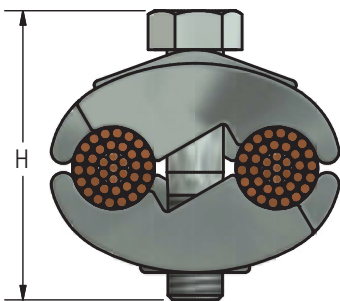
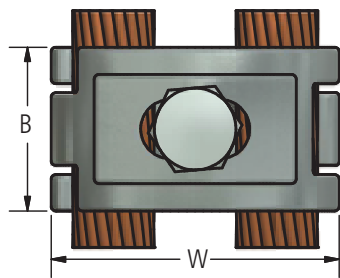
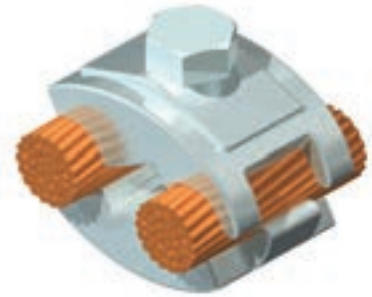
A compact parallel groove connector which is designed for use on either copper, aluminum, ACSR, Copperclad, amerductor, steel or any combination thereof. This light duty connector accepts a wide range of conductor sizes.

Material

Tin Plated Copper Alloy

Hardware

Everdur bolts, nuts and lockwashers



Ordering Information

CATALOG NUMBER	DIMENSIONS IN INCHES			
	B	H	W	BOLT SIZE
UDV13	1	1 3/16	1 7/16	5/16
UDV21	1 1/8	1 1/2	1 3/4	3/8

CONDUCTORS	CONDUCTOR RANGE			
	UDV13		UDV21	
	CONDUCTOR RANGE		CONDUCTOR RANGE	
	MIN	MAX	MIN	MAX
COPPER	#8 SOL.	2/0 STR.	#2 SOL.	4/0 STR.
A.C.S.R	#6	1/0	#3	4/0
COPPERCLAD	#8	7 #7	3 #8	7 #6
A.C.S.R. OVER ARMOR ROD	#6		#6	#3
STEEL GUY WIRE	1/6	4/9	2/7	4/7
STEEL	#8 SOL.	#4-3 WIRE		#4-3 WIRE
AMERDUCTOR TYPES SCP & SCB	#12	#2	#4	#2

DOSSERT®

TYPE UM

Copper U-Bolt Variable Range Terminal

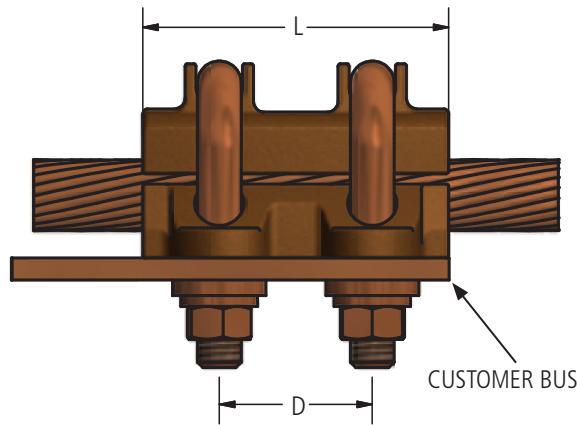
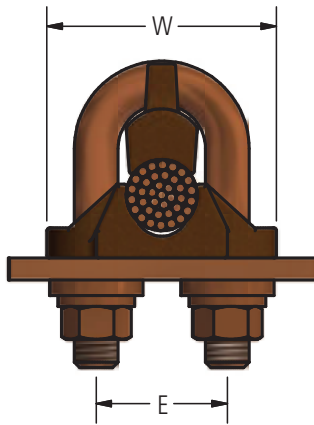
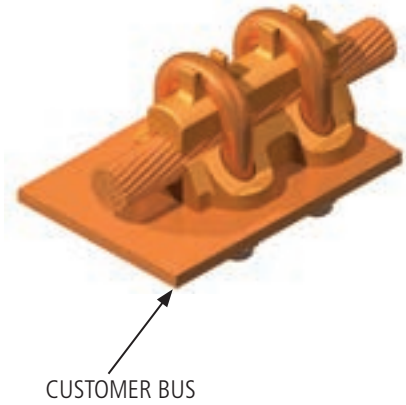
A U-bolt variable terminal lug for connecting cables to flat bar buses.

Material

Copper Alloy

Hardware

Everdur U-bolts, nuts and lockwashers



Ordering Information

CATALOG NUMBER	CABLE RANGE		DIMENSIONS IN INCHES					U-BOLT SIZE
	MIN	MAX	D	E	L	W		
UM13	#6	2/0 STR	1 1/4	13/16	2 1/2	1 3/16	5/16	
UM21	#1	4/0 STR	1 1/4	31/32	2 5/8	1 7/8	3/8	
UM30	1/0 STR	300 MCM	1 1/2	1 1/16	2 3/4	1 15/16	3/8	
UM50	300 MCM	500 MCM	2 1/8	1 3/8	4 1/4	2 1/2	1/2	
UM80	500 MCM	800 MCM	1 3/4	1 19/32	3 1/4	2 13/16	1/2	
UM100	750 MCM	1000 MCM	1 13/16	1 23/32	3 1/2	2 15/16	1/2	
UM150	1000 MCM	1500 MCM	2	2	4	3 3/16	1/2	
UM200	1500 MCM	2000 MCM	2	2 1/4	4 1/2	3 3/8	1/2	

Bronze Parallel, Cross, and Bar Taps

DOSSERT®

TYPE UP, UP-3 U-bolt Parallel Clamp

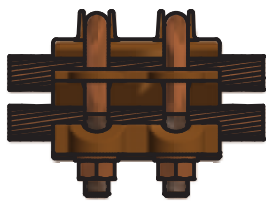
A U-bolt type connector for clamping two cable conductors in parallel. The high compressive action applied by the U-bolts acts directly and uniformly on the two conductors. The variability of each clamping section makes possible numerous combinations of cable.

Material

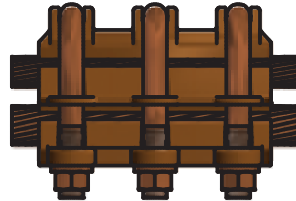
Copper Alloy

Hardware

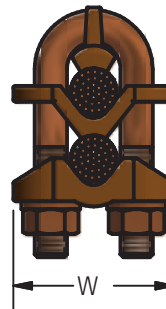
Everdur U-bolts, nuts, and lockwashers.



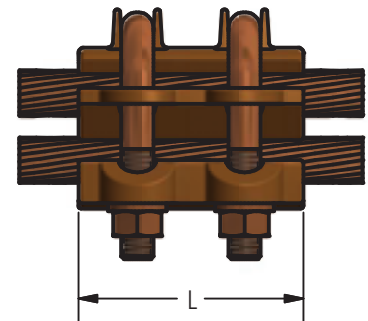
UP



UP-3



W



L

Ordering Information

CATALOG NUMBER		CABLE RANGE				DIMENSIONS IN INCHES		BOLT SIZE
		RUN		TAP		L	W	
UP	UP-3	MIN	MAX	MIN	MAX			
UP13-13	UP13-13-3	6 Str	2/0 Str	6 Str	2/0 Str	2 1/2	1 9/16	5/16
UP21-13	UP21-13-3	1 Str	4/0 Str	6 Str	2/0 Str	2 5/8	1 7/8	3/8
UP21-21	UP21-21-3	1 Str	4/0 Str	1 Str	4/0 Str	2 5/8	1 7/8	3/8
UP30-13	UP30-13-3	1/0 Str	300 kcmil	6 Str	2/0 Str	2 3/4	1 15/16	3/8
UP30-21	UP30-21-3	1/0 Str	300 kcmil	1 Str	4/0 Str	2 3/4	1 15/16	3/8
UP30-30	UP30-30-3	1/0 Str	300 kcmil	1/0 Str	300 kcmil	3 1/4	1 15/16	3/8
UP50-21	UP50-21-3	300 kcmil	500 kcmil	1 Str	4/0 Str	2 3/4	2 1/8	3/8
UP50-30	UP50-30-3	300 kcmil	500 kcmil	1/0 Str	300 kcmil	4 1/4	2 1/8	3/8
UP50-50	UP50-50-3	300 kcmil	500 kcmil	300 kcmil	500 kcmil	4 1/4	2 1/8	1/2
UP80-30	UP80-30-3	500 kcmil	800 kcmil	1/0 Str	300 kcmil	3 1/4	2 13/16	3/8
UP80-50	UP80-50-3	500 kcmil	800 kcmil	300 kcmil	500 kcmil	5 1/4	2 13/16	1/2
UP80-80	UP80-80-3	500 kcmil	800 kcmil	500 kcmil	800 kcmil	4 1/4	2 13/16	1/2
UP100-100	UP100-100-3	750 kcmil	1000 kcmil	750 kcmil	1000 kcmil	5 1/4	2 15/16	1/2
UP100-50	UP100-50-3	750 kcmil	1000 kcmil	300 kcmil	500 kcmil	4 1/4	2 15/16	1/2
UP100-80	UP100-80-3	750 kcmil	1000 kcmil	500 kcmil	800 kcmil	5 1/4	2 15/16	1/2
UP150-80	UP150-80-3	1000 kcmil	1500 kcmil	500 kcmil	800 kcmil	5 1/4	3 3/16	1/2
UP150-100	UP150-100-3	1000 kcmil	1500 kcmil	750 kcmil	1000 kcmil	5 1/4	3 3/16	1/2
UP150-150	UP150-150-3	1000 kcmil	1500 kcmil	1000 kcmil	1500 kcmil	5 1/4	3 3/16	1/2
UP200-80	UP200-80-3	1500 kcmil	2000 kcmil	500 kcmil	800 kcmil	5 1/4	3 3/8	1/2
UP200-100	UP200-100-3	1500 kcmil	2000 kcmil	750 kcmil	1000 kcmil	5 1/4	3 3/8	1/2
UP200-150	UP200-150-3	1500 kcmil	2000 kcmil	1000 kcmil	1500 kcmil	5 1/4	3 3/8	1/2
UP200-200	UP200-200-3	1500 kcmil	2000 kcmil	1500 kcmil	2000 kcmil	5 1/4	3 3/8	5/8

DOSSERT®

TYPE WC

Cable Clip For Securing Ends Of Cable

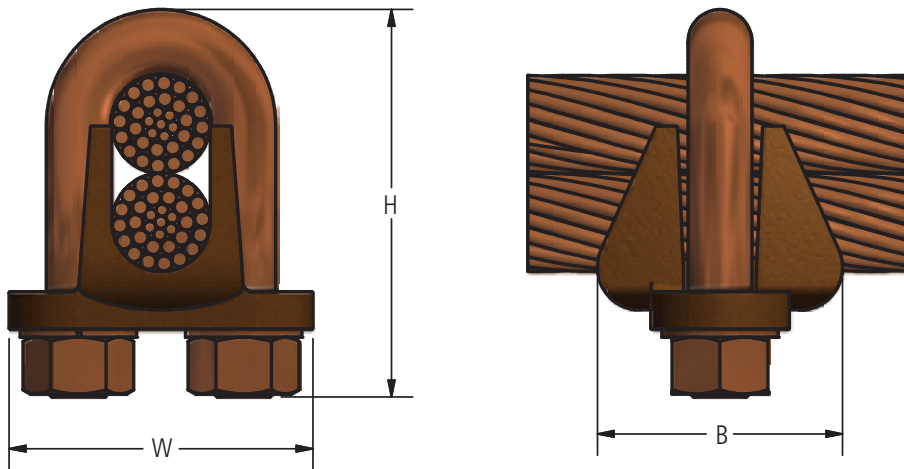
A high strength wire or cable clip for securing the ends of wire or cable conductors or grounds. Completely corrosion resistant.

Material

Copper Alloy

Hardware

Everdur U-bolts, nuts and lockwashers



Ordering Information

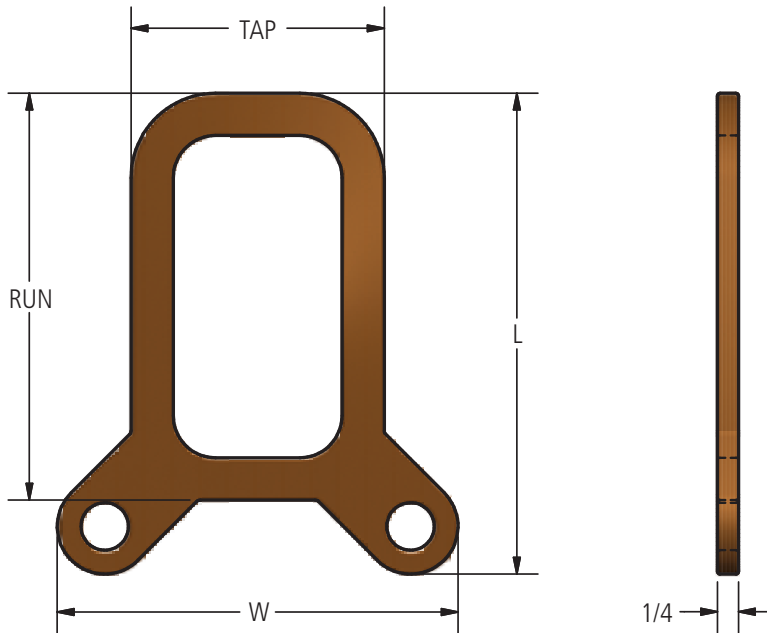
CATALOG NUMBER	CABLE RANGE			DIMENSIONS IN INCHES			U-BOLT SIZE
	COPPER WIRE		GUY WIRE	B	H	W	
	MIN	MAX					
WC4	-	4 STR	1/4	1 1/4	1 5/8	1 3/4	3/8
WC6	-	3 STR	5/16	1 1/4	1 3/4	1 3/4	3/8
WC10	-	1/0 STR	3/8	1 1/4	2	1 3/4	1/2
WC13	-	2/0 STR	7/16	1 3/8	2 7/16	2 1/4	1/2
WC21	3/0 STR	4/0 STR	1/2	1 5/8	2 1/2	2 1/4	5/8
WC30	4/0 STR	300 MCM	5/8	1 5/8	3	2 5/16	5/8
WC40	350MCM	400 MCM	3/4	2	3 3/8	2 3/4	3/4
WC55	450MCM	550 MCM	7/8	2	3 5/8	2 7/8	3/4
WC75	600MCM	750MCM	1	2 1/2	4 3/8	3 3/8	3/4

DOSSERT® TYPE BS

A bronze spacer for a standard bus bar spacing of 1/4 inch. Designed for use with both A and H clamps.

Material

Copper Alloy



Ordering Information

CATALOG NUMBER	WIDTH OF BARS		DIMENSIONS IN INCHES		BOLT SIZE
	RUN	TAP	L	W	
BS11	1	1	1 5/8	2 5/16	3/8
BS21	2	1	2 5/8	2 5/16	3/8
BS22	2	2	2 5/8	3 5/16	3/8
BS31	3	1	3 5/8	2 5/16	3/8
BS32	3	2	3 5/8	3 5/16	3/8
BS33	3	3	3 5/8	4 5/16	3/8
BS42	4	2	4 5/8	3 5/16	3/8
BS43	4	3	4 3/4	4 3/4	1/2
BS44	4	4	4 3/4	5 3/4	1/2
BS52	5	2	5 3/4	3 5/8	1/2
BS53	5	3	5 3/4	4 3/4	1/2
BS54	5	4	5 3/4	5 3/4	1/2
BS55	5	5	5 7/8	7 1/8	5/8
BS62	6	2	6 3/4	3 5/8	1/2
BS63	6	3	6 3/4	4 3/4	1/2
BS64	6	4	6 3/4	5 3/4	1/2
BS65	6	5	6 7/8	7 1/8	5/8
BS66	6	6	6 7/8	8 1/8	5/8

DOSSERT®

TYPE DH, DA

Copper Clamp For Flat Bus Bars DH is a four bolt design and DA is a three bolt design.

A clamp for developing high contact pressures between flat copper bus bars. This rugged connector may be used for coupling, crossing, aligning bus or tapping conductors.

Material

Copper Alloy

Hardware

Everdur bolts, nuts and lockwashers

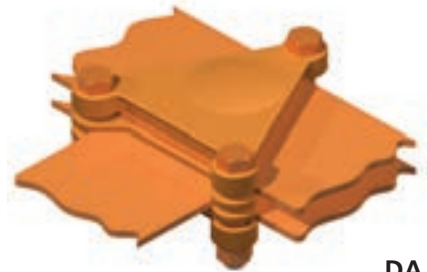
Notes

For a 4" main and 4" tap with three bolt pattern order DA44.

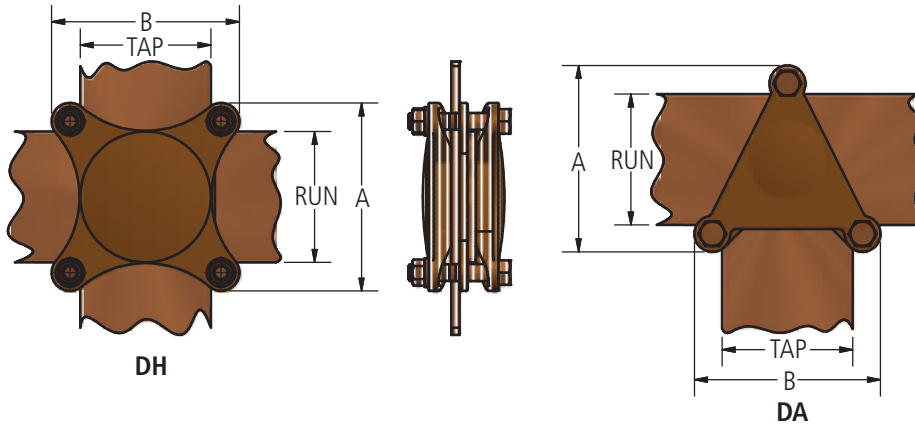
If more than two bars are used, add to the suffix "number of bars to be clamped."
EX: DH11-3



DH



DA



DH

DA

Ordering Information

CATALOG NUMBER		FLAT BUS SIZE		DIMENSIONS IN INCHES		BOLT SIZE
		RUN	TAP	A	B	
DH11	DA11	1	1	2 5/16	2 5/16	3/8
DH21	DA21	2	1	3 5/16	3 5/16	3/8
DH22	DA22	2	2	3 5/16	3 5/16	3/8
DH31	DA31	3	1	4 5/16	2 5/16	3/8
DH32	DA32	3	2	4 5/16	3 5/16	3/8
DH33	DA33	8	3	4 5/16	4 5/16	3/8
DH42	DA42	4	2	5 5/16	3 5/16	3/8
DH43	DA43	4	3	5 3/4	4 3/4	1/2
DH44	DA44	4	4	5 3/4	5 3/4	1/2
DH52	DA52	5	2	6 3/4	3 3/4	1/2
DH53	DA53	5	3	6 3/4	4 3/4	1/2
DH54	DA54	5	4	6 3/4	5 3/4	1/2
DH55	DA55	5	5	7 1/8	7 1/8	5/8
DH62	DA62	6	2	7 3/4	3 3/4	1/2
DH63	DA63	6	3	7 3/4	4 3/4	1/2
DH64	DA64	6	4	7 3/4	5 3/4	1/2
DH65	DA65	6	5	8 1/8	7 1/8	5/8
DH66	DA66	6	6	8 1/8	8 1/8	5/8

Bronze Connectors for Flat Bar

DOSSERT®

TYPE HAF, H2AF, H3AF, H4AF

Tee Connector For Tapping Flat Bar With Cable HAF connects one cable to flat bus bars, H2AF connects two cables to flat bus bars, H3AF connects three cables and H4AF connects four cables to flat bus bars.

A tee connector for tapping a flat bus with a cable. The clamp fitting enables the connector to be installed anywhere on the bus without the necessity for drilling holes for clamping bolts. The wide variation of the HERCULON™ fitting enables one connector.

Material

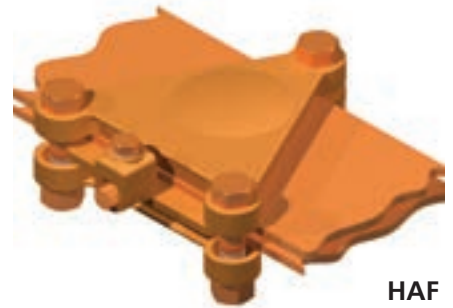
Copper Alloy

Hardware

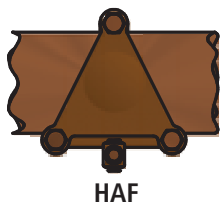
Everdur bolts, nuts and lockwashers

Note

- Above 500 MCM connectors have thicker pads and are mounted outside buses. See catalog number for spacer information. Unless otherwise specified spacer will not be supplied with connectors.
- For 4in wide bus bars and two 350kcmil cables order: H2AF35-4.
- For 4in wide bus bars and three 350kcmil cables order: H3AF35-4.
- For 4in wide bus bars and four 350kcmil cables order: H4AF35-4.



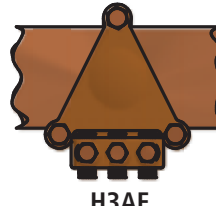
HAF



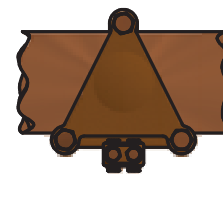
HAF



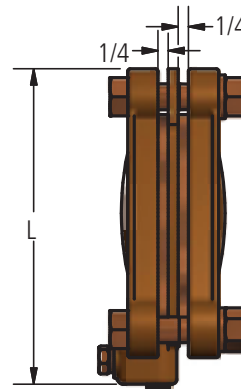
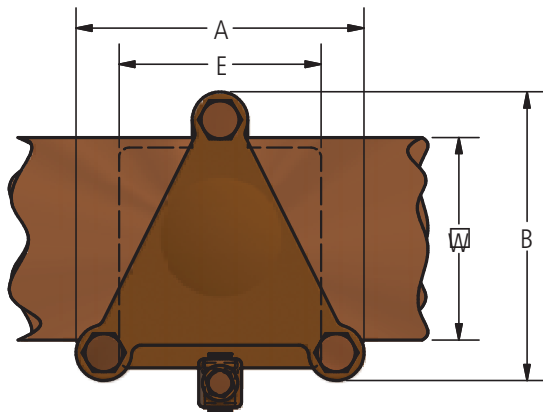
H2AF



H3AF



H4AF



DOSSERT®

TYPE HAF, H2AF, H3AF, H4AF

Tee Connector For Tapping Flat Bar With Cable HAF connects one cable to flat bus bars, H2AF connects two cables to flat bus bars, H3AF connects three cables and H4AF connects four cables to flat bus bars.

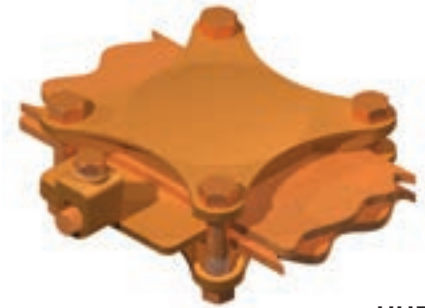
Ordering Information

CATALOG NUMBER	CABLE RANGE		WIDTH OF BARS (W)	DIMENSIONS IN INCHES				BOLT SIZE
	MIN	MAX		A	B	E	L	
HAF4-2	8 Solid	4 Solid	2	3 5/16	3 5/16	1	4 1/4	3/8
HAF8-2	4 Solid	1 Stranded	2	3 5/16	3 5/16	1	4 1/4	3/8
HAF13-2	1 Stranded	2/0 Stranded	2	3 5/16	3 5/16	1	4 3/8	3/8
HAF13-3	1 Stranded	2/0 Stranded	3	3 5/16	4 5/16	1	5 3/8	3/8
HAF21-2	2/0 Stranded	4/0 Stranded	2	3 5/16	3 5/16	1	4 7/16	3/8
HAF21-3	2/0 Stranded	4/0 Stranded	3	3 5/16	4 5/16	1	5 7/16	3/8
HAF30-2	4/0 Stranded	300 kcmil	2	3 5/16	3 5/16	2	4 5/8	3/8
HAF30-3	4/0 Stranded	300 kcmil	3	3 5/16	4 5/16	2	5 5/8	3/8
HAF35-2	250 kcmil	350 kcmil	2	3 5/16	3 5/16	2	4 5/8	3/8
HAF35-3	250 kcmil	350 kcmil	3	3 5/16	4 5/16	2	5 5/8	3/8
HAF35-4	250 kcmil	350 kcmil	2	3 5/16	5 5/16	2	6 5/8	3/8
HAF50-2	300 kcmil	500 kcmil	4	3 5/16	3 5/16	2	4 3/4	3/8
HAF50-3	300 kcmil	500 kcmil	3	3 5/16	4 5/16	2	5 3/4	3/8
HAF50-4	300 kcmil	500 kcmil	4	3 5/16	5 5/16	2	6 3/4	3/8
HAF75-2	500 kcmil	750 kcmil	2	3 5/16	3 5/16	2	4 7/8	3/8
HAF75-3	500 kcmil	750 kcmil	3	3 5/16	4 5/16	2	5 7/8	3/8
HAF75-4	500 kcmil	750 kcmil	4	3 5/16	5 5/16	2	7 1/4	3/8
HAF100-2	750 kcmil	1000 kcmil	2	3 5/16	3 5/16	2	5 5/16	3/8
HAF100-3	750 kcmil	1000 kcmil	3	4 5/16	4 5/16	3	6 5/16	3/8
HAF100-4	750 kcmil	1000 kcmil	4	4 3/4	5 3/4	3	7 11/16	1/2
HAF100-5	750 kcmil	1000 kcmil	5	4 3/4	6 3/4	3	8 11/16	1/2

Bronze Connectors
for Flat Bar

DOSSERT® TYPE HHF, H2HF, H3HF, H4HF Tee Connector For Tapping Flat Bar With Cable

HHF connects one cable to flat bus bars, H2HF connects two cables to flat bus bars, H3HF connects three cables and H4HF connects four cables to flat bus bars. A tee connector for tapping a flat bus with a cable. The clamp fitting enables the connector to be installed anywhere on the bus without the necessity for drilling holes for clamping bolts. The wide variation of the Herculon fitting enables one connector to accommodate a number of cable sizes. Connectors listed have 1/4 inch thick pads for 1/4 inch buses spaced 1/4 inch apart up to 600 MCM.



HHF

Material

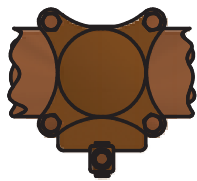
Copper Alloy

Hardware

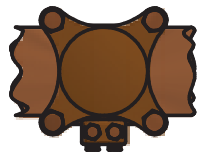
Everdur bolts, nuts and lockwashers

Notes

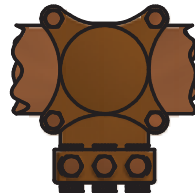
- For 4 in. wide bus bars and two 350 kcmil cables, order: H2HF35-4.
- For 4 in. wide bus bars and three 350 kcmil cables, order: H3HF35-4.
- For 4 in. wide bus bars and four 350 kcmil cables, order: H4HF35-4.



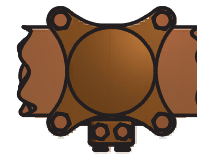
HHF



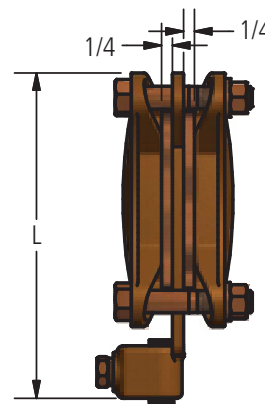
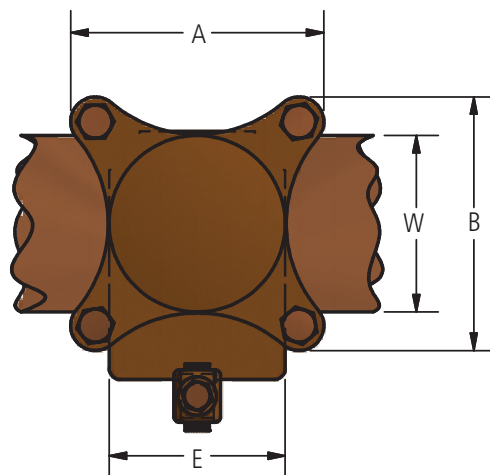
H2HF



H3HF



H4HF



DOSSERT®

TYPE HHF, H2HF, H3HF, H4HF

Tee Connector For Tapping Flat Bar With Cable

HHF connects one cable to flat bus bars, H2HF connects two cables to flat bus bars, H3HF connects three cables and H4HF connects four cables to flat bus bars.

Ordering Information

CATALOG NUMBER	CABLE RANGE		WIDTH OF BARS (W)	CABLE RANGE (DIA.)		DIMENSIONS IN INCHES				BOLT SIZE
	MIN	MAX		FROM	TO	A	B	E	L	
HHF4-2	8 Soild	4 Solid	2	0.128	0.204	3 5/16	3 5/16	1	4 1/4	3/8
HHF4-3	8 Soild	4 Solid	3	0.128	0.204	4 5/16	4 5/16	3	5 3/16	3/8
HHF8-2	4 Solid	1 Stranded	2	0.204	0.332	3 5/16	3 5/16	1	4 1/4	3/8
HHF13-2	1 Stranded	2/0 Stranded	2	0.332	0.419	3 5/16	3 5/16	1	4 3/8	3/8
HHF13-3	1 Stranded	2/0 Stranded	3	0.332	0.419	3 5/16	4 5/16	1	5 3/8	3/8
HHF21-2	2/0 Stranded	4/0 Stranded	2	0.419	0.528	3 5/16	3 5/16	1	4 7/16	3/8
HHF21-3	2/0 Stranded	4/0 Stranded	3	0.419	0.628	3 5/16	4 5/16	1	5 7/16	3/8
HHF30-2	4/0 Stranded	300 kcmil	2	0.528	0.628	3 5/16	3 5/16	2	4 5/8	3/8
HHF30-3	4/0 Stranded	300 kcmil	3	0.528	0.628	3 5/16	4 5/16	2	5 5/8	3/8
HHF35-2	250 kcmil	350 kcmil	2	0.575	0.681	3 5/16	3 5/16	2	4 5/8	3/8
HHF35-3	250 kcmil	350 kcmil	3	0.575	0.681	3 5/16	4 5/16	2	5 5/8	3/8
HHF35-4	250 kcmil	350 kcmil	4	0.575	0.681	3 5/16	5 5/16	2	6 5/8	1/2
HHF50-2	300 kcmil	500 kcmil	2	0.63	0.814	3 5/16	3 5/16	2	4 3/4	3/8
HHF50-3	300 kcmil	500 kcmil	3	0.63	0.814	3 5/16	4 5/16	2	5 3/4	3/8
HHF50-4	300 kcmil	500 kcmil	4	0.63	0.814	3 5/16	5 5/16	2	6 3/4	1/2
HHF50-5	300 kcmil	500 kcmil	5	0.63	0.814	3 3/4	6 3/4	2	8 1/8	1/2
HHF75-2	500 kcmil	750 kcmil	2	0.814	0.998	3 5/16	3 5/16	2	4 7/8	3/8
HHF75-3	500 kcmil	750 kcmil	3	0.814	0.998	3 5/16	4 5/16	2	5 7/8	3/8
HHF75-4	500 kcmil	750 kcmil	4	0.814	0.998	3 5/16	5 5/16	2	7 1/4	1/2
HHF100-2	750 kcmil	1000 kcmil	2	0.998	1.152	3 5/16	3 5/16	2	5 5/16	3/8
HHF100-3	750 kcmil	1000 kcmil	3	0.998	1.152	4 5/16	4 5/16	3	6 5/16	3/8
HHF100-4	750 kcmil	1000 kcmil	4	0.998	1.152	4 3/4	5 3/4	3	7 11/16	1/2
HHF100-5	750 kcmil	1000 kcmil	5	0.998	1.152	4 3/4	6 3/4	3	8 11/16	1/2

Bronze Connectors
for Flat Bar

DOSSERT®

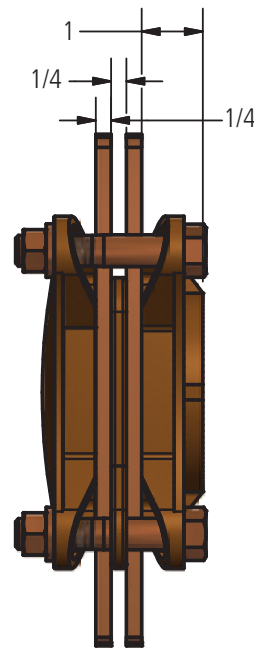
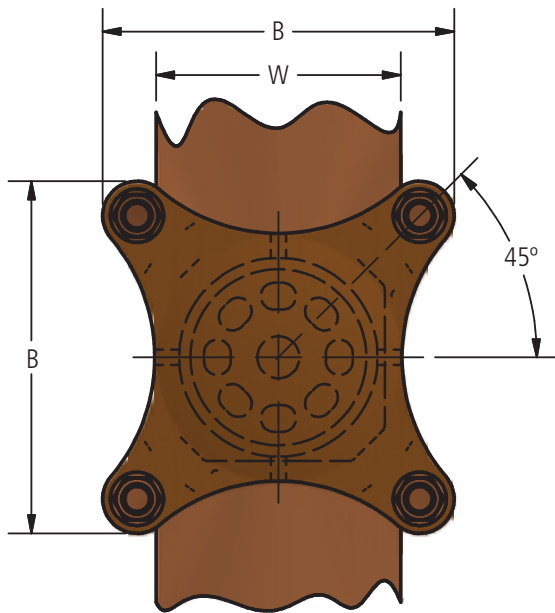
TYPE HSS Low Mount Horizontal Bus Support

A low mount horizontal bus support for mounting flat bar to the cap or base of an insulator. For cap mounting cap screws are furnished and for base mounting bolts and nuts are furnished. Unless otherwise specified, clamps are supplied for cap mounting.

Material Everdur bolts, nuts and lockwashers
Copper Alloy Mounting hardware galvanized steel



Hardware



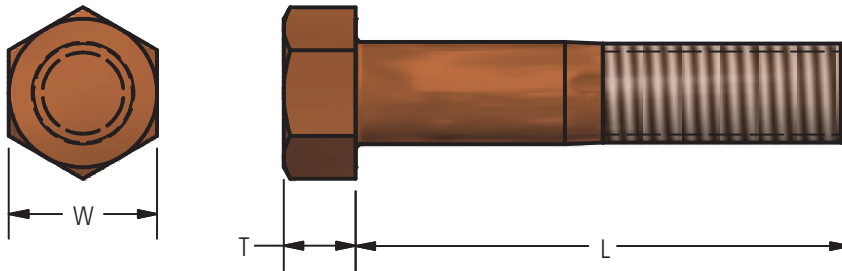
Ordering Information

CATALOG NUMBER	DIMENSIONS IN INCHES			BOLT SIZE
	WIDTH IN BARS (W)	BOLT CIRCLE	B	
HSS2-3	2	3	3-5/16	3/8
HSS2-5	2	5	3-5/16	3/8
HSS3-3	3	3	4-5/16	3/8
HSS3-5	3	5	4-5/16	3/8
HSS4-3	4	3	5-3/4	1/2
HSS4-5	4	5	5-3/4	1/2
HSS5-3	5	3	7-1/8	5/8
HSS5-5	5	5	7-1/8	5/8
HSS6-3	6	3	8-1/8	5/8
HSS6-5	6	5	8-1/8	5/8

DOSSERT®

TYPE EB Everdur Bolts

Dossert Everdur Machine bolts are cold headed and roll threaded. They exhibit tensile strengths equal to or greater than mild steels. Their high resistance to corrosion and non-magnetic properties make them extremely useful in electrical work.



Ordering Information

L IN INCHES	BOLT DIAMETER AND THREADS PER INCH					
	1/4 - 20	5/16 - 18	3/8 - 16	1/2 - 13	5/8 - 11	3/4 - 10
1/2	EB2550	EB3150	EB3750	EB5050	—	—
5/8	EB2562	EB3162	EB3762	EB5062	—	—
3/4	EB2575	EB3175	EB3775	EB5075	—	—
7/8	EB2587	EB3187	EB3787	EB5087	—	—
1	EB25100	EB31100	EB37100	EB50100	EB62100	—
1 1/4	EB25125	EB31125	EB37125	EB50125	EB62125	EB75125
1 1/2	EB25150	EB31150	EB37150	EB50150	EB62150	EB75150
1 3/4	EB25175	EB31175	EB37175	EB50175	EB62175	EB75175
2	EB25200	EB31200	EB37200	EB50200	EB62200	EB75200
2 1/4	EB25225	EB31225	EB37225	EB50225	EB62225	EB75225
2 1/2	EB25250	EB31250	EB37250	EB50250	EB62250	EB75250
2 3/4	EB25275	EB31275	EB37275	EB50275	EB62275	EB75275
3	EB25300	EB31300	EB37300	EB50300	EB62300	EB75300
3 1/4	EB25325	EB31325	EB37325	EB50325	EB62325	EB75325
3 1/2	EB25350	EB31350	EB37350	EB50350	EB62350	EB75350
4	EB25400	EB31400	EB37400	EB50400	EB62400	EB75400
4 1/2	—	EB31450	EB37450	EB50450	EB62450	EB75450
5	—	—	EB37500	EB50500	EB62500	EB75500
5 1/2	—	—	EB37550	EB50550	EB62550	EB75550
6	—	—	EB37600	EB50600	EB62600	EB75600
W	3/8	1/2	9/16	3/4	15/16	1 1/8
T	5/32	3/16	15/64	19/64	25/64	15/32

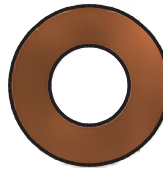
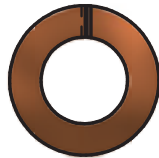
DOSSERT®

TYPE EN, EW, ELW, EILW Everdur Nuts, Spring Washer, and Flat Washer

Dossert Everdur nuts, EN, are made to the American Standard National course thread Class 2 Semifinished, cold punched. Dossert Everdur spring type lockwasher, ELW, is a tough and durable unit which prevents the loosening of the nut under severe conditions of vibration. Dossert Everdur flat washers, EW, are stamped from cold drawn Everdur sheet and are tumbled to a smooth finish with rounded edges. Dossert Everdur internal lock washer EILW.

Material

Everdur



EN

EILW

ELW

EW



EN



EILW



ELW



EW

Ordering Information

TYPE EN				
CATALOG NUMBER	DIAMETER OF THREADS	THREADS PER INCH	WIDTH ACROSS FLATS	THICKNESS
EN25	1/2	20	7/6	13/64
EN31	5/16	18	9/16	1/4
EN37	3/8	16	5/8	5/16
EN50	1/2	13	13/16	27/64
EN62	5/8	11	1	17/32
EILW75	3/4	.102	1 7/8	

TYPE EILW			
CATALOG NUMBER	BOLT SIZE	THICKNESS	MAJOR DIAMETER
EILW25	1/4	.040	11/16
EILW31	5/16	.064	7/8
EILW37	3/8	.064	1
EILW50	1/2	.091	1 1/4
EILW62	5/8	.091	1 1/2
EILW75	3/4	.102	1 7/8

TYPE ELW	
CATALOG NUMBER	BOLT SIZE
ELW25	1/4
ELW31	5/16
ELW37	3/8
ELW50	1/2
ELW62	5/8
ELW75	3/4

TYPE EW		
CATALOG NUMBER	BOLT SIZE	THICKNESS
EW25	1/4	1/16
EW31	5/16	1/16
EW37	3/8	3/32
EW50	1/2	1/8
EW62	5/8	5/32
EW75	3/4	3/16

DOSSERT® TYPE G110, G111, G114, G115

All Dossert ground clamps are made of a high copper alloy and are equipped with silicon bronze bolts. These connectors are characterized by their high resistance to corrosion which makes them suitable for burial underground without danger of joint deterioration

Two types of two conductor ground clamps for grounding to square fence post, type G114 or for grounding to H beam column or fence post, type G115.

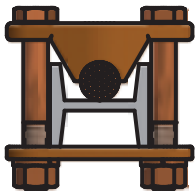
Two single conductor ground clamps for connecting a ground wire to the web of an H beam type fence post. Type G111 provides a clamping saddle between wire and post, while type G110 clamps wire directly to post.

Material

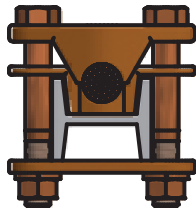
Copper Alloy

Hardware

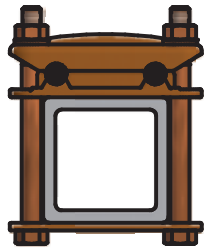
Everdur bolts, nuts and lockwashers



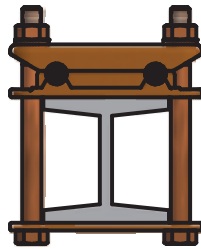
G110



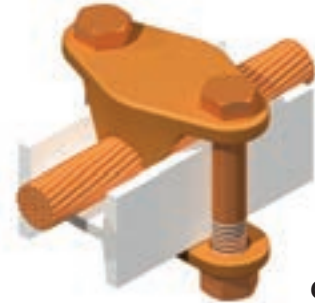
G111



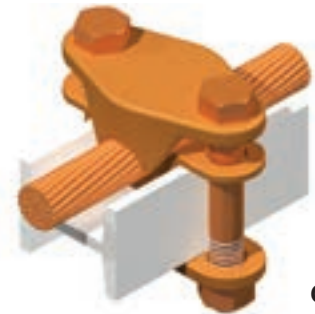
G114-2



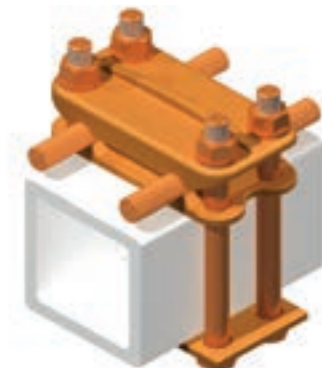
G115-2



G110



G111



G114



G115

Ordering Information

CATALOG NUMBER	H-BEAM	CABLE RANGE	
		MIN	MAX
G110	1 1/4 X 1 1/2	2/0 SOL	250 MCM
G111	1 1/4 X 1 1/2	2/0 SOL	250 MCM

CATALOG NUMBER	SQUARE POST SIZE	CABLE RANGE		NUMBER OF CABLES
		MIN	MAX	
G114	3 1/2"	1/0	250MCM	3
G114-13-2	2"	4 SOL.	2/0 STR.	1
G114-2-S1	1 1/2"	2/0 SOL.	250 MCM	2
G114-13-2-50	2"	200 MCM	500 MCM	1

CATALOG NUMBER	BEAM SIZE	CABLE RANGE		NUMBER OF CABLES
		MIN	MAX	
G115	2 15/16 x 3	2/0 SOL.	250 MCM	3
G115-1	2 1/8 x 2 1/2	4 SOL.	2/0 STR.	1
G115-2	1 15/16 x 2 1/4	2/0 SOL.	250 MCM	2

DOSSERT®

TYPE GA, GAA

Two Conductor Flat Bar Ground Clamp

A single or double bolt ground clamp for clamping two wires or cables to a flat bar, plate, or structural member. Permits a slight range of variability in accommodating different size conductors. Bolts are retained by body to enable assembling with only one wrench. Bolts are supplied to clamp a 1/4 inch bar. GAA is similar to GA except that it is designed for heavier service.

Material

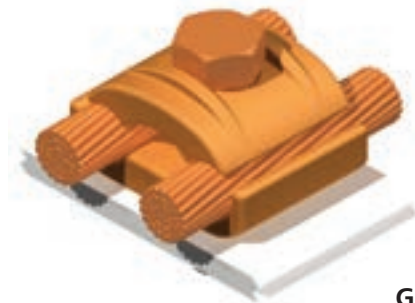
Copper Alloy

Hardware

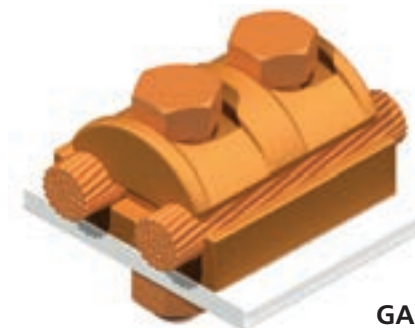
Everdur bolts, nuts and lockwashers

Notes

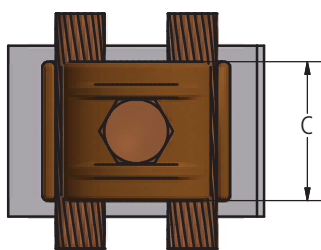
- Bolt length supplied to clamp a 1/4 inch bar with maximum conductor in place.
- For thicker bars, longer bolts will be furnished upon request.
- For tin plating, add suffix "-SN" to catalog number EX: GA13-SN
- For galvanized steel hardware, add suffix "-GS" to catalog number EX: GA13-GS
- For stainless steel hardware, add suffix "-SS" to catalog number EX: GA13-SS



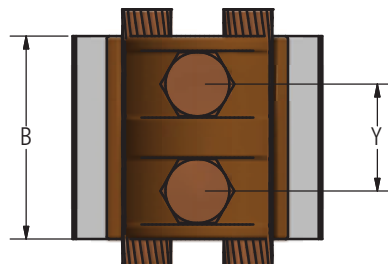
GA



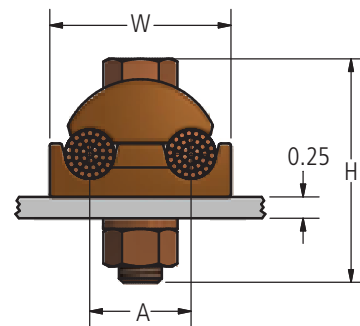
GAA



GA



GAA



Ordering Information

CATALOG NUMBER		CABLE RANGE		DIMENSIONS IN INCHES						BOLT SIZE
GA	GAA	MIN	MAX	A	B	C	H	W	Y	
GA4	GAA4	8 SOL	4 STR	0.75	2.00	1.38	1.38	1.25	0.94	3/8
GA13	GAA13	4 SOL	2/0 STR	1.00	2.00	1.53	1.70	1.72	1.00	3/8
GA25	GAA25	2/0 SOL	250 MCM	1.31	2.50	1.63	2.25	2.25	1.25	1/2
GA25-S	GAA25-S	2/0 SOL	250 MCM	1.25	2.94	1.75	2.25	2.25	1.75	1/2
GA50	GAA50	300 MCM	500 MCM	1.50	2.50	2.00	2.86	2.63	1.38	1/2
GA50-N	GAA50-N	300 MCM	500 MCM	1.50	2.50	2.00	2.86	2.63	1.38	1/2
GA75	GAA75	550 MCM	750 MCM	1.75	3.00	2.38	3.00	3.25	1.56	5/8
GA80-1/2	GAA80-1/2	500 MCM	800 MCM	1.88	3.00	2.38	3.00	3.31	1.56	1/2
GA100	GAA100	800 MCM	1000 MCM	2.00	3.00	2.50	3.25	3.63	1.56	5/8

DOSSERT®

TYPE GAM

Copper Grounding Connector For Two Cables To A Flat Surface

A single bolt, one piece ground clamp for clamping two wires or cables to a flat bar, plate, or structural member. Permits a slight range of variability in accommodating different size conductors. Bolts are retained by body to enable assembling with only one wrench. Bolts are supplied to clamp a 1/4 Inch bar.

Material

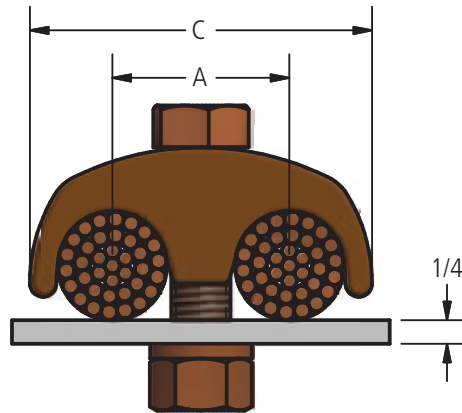
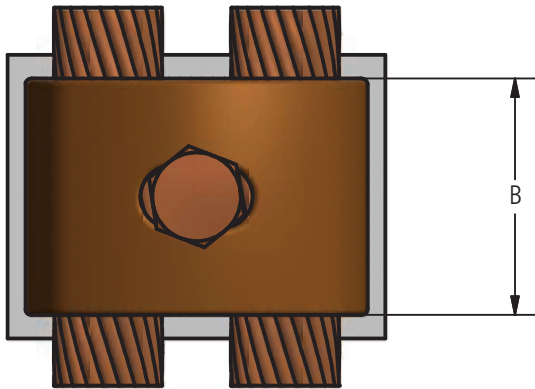
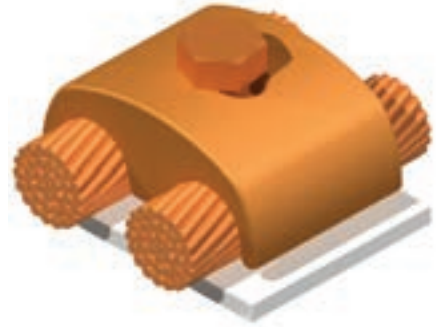
Copper Alloy

Hardware

Everdur bolts, nuts and lockwashers

Note

- Bolt length supplied to clamp a 1/4 inch bar with maximum conductor in place. For thicker bars, longer bolts will be furnished upon request.
- For tin plating add suffix "-SN" to end of catalog number. Example: GAM13-SN
- For a galvanized steel bolt add suffix "-GS" to end of catalog number. Example: GAM13-GS



Ordering Information

CATALOG NUMBER	GROUNDING		DIMENSIONS IN INCHES			BOLT SIZE
	MIN	MAX	A	B	C	
GAM4	8 Solid	4 Stranded	3/4	1 1/4	1 1/8	3/8
GAM13	4 Solid	2/0 Stranded	1	1 1/2	1 1/2	3/8
GAM25	2/0 Solid	250 MCM	1 1/4	1 3/4	2 1/8	1/2
GAM50	300 MCM	500 MCM	1 1/2	2	2 5/8	1/2
GAM75	550 MCM	750 MCM	1 3/4	2 1/4	3 1/8	5/8
GAM100	800 MCM	1000 MCM	1 7/8	2 1/2	3 1/2	5/8

DOSSERT®

TYPE GB, GBB

Copper Grounding Connector for Three Cables to a Flat Surface.

GB style is a two bolt design and GBB is a four bolt design. These clamps are used for clamping three cables of equal size to a flat bar, plate, or structural member. Bolts are retained by body to enable assembling with only one wrench. Bolts are supplied to clamp a 1/4 inch bar.

Material

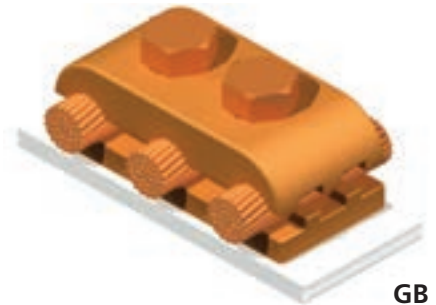
Copper Alloy

Hardware

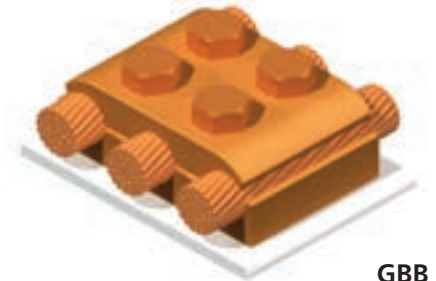
Everdur bolts, nuts and lockwashers

Note

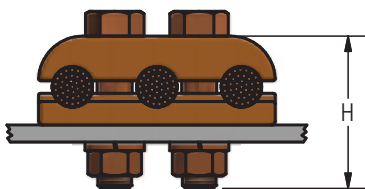
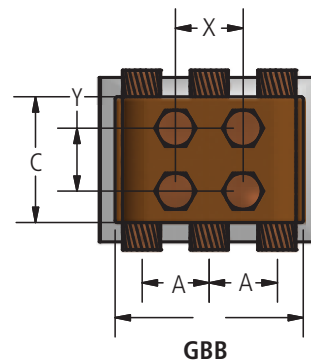
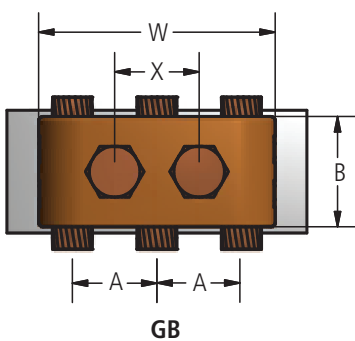
- Bolt length supplied to clamp a 1/4 inch bar with maximum conductor in place.
- For thicker bars, longer bolts will be furnished upon request. For tin plating add suffix (SN) to catalog number. Example: For a 4 solid conductor, 2 bolt clamp, and tin plating, order: GB13-SN
- For a galvanized steel bolt add suffix (GS) to catalog number. Example: For a 4 solid conductor, 4 bolt clam, and galvanized steel bolts, order: GBB13-GS



GB



GBB



Ordering Information

CATALOG NUMBER		CABLE RANGE		DIMENSIONS IN INCHES							BOLT SIZE
GB	GBB	MIN	MAX	A	B	C	H	W	X	Y	
GB4	GBB4	8 Solid	4 Stranded	7/8	1 1/2	2	1 5/8	2 1/8	7/8	7/8	3/8
GB13	GBB13	4 Solid	2/0 Str	1	1 3/4	2 1/8	1 3/4	1 3/4	1	1	3/8
GB25	GBB25	2/0 Solid	250 MCM	1 1/4	1 5/8	2 5/8	2 1/2	3 1/2	1 1/4	1 1/4	1/2
GB50	GBB50	300 MCM	500 MCM	1 1/2	2 1/4	2 5/8	2 1/2	4 1/4	1 1/2	1 1/4	1/2
GB75	GBB75	550 MCM	750 MCM	1 13/16	2 1/2	3 1/4	2 3/4	5	1 13/16	1 1/2	5/8
GB100	GBB100	800 MCM	1000 MCM	2	2 3/4	3 1/4	3	5 1/2	2	1 1/2	5/8

DOSSERT®

TYPE GCF, GCG

Ground Connector For Rotating Pipe To A Flat Surface

A flexible ground connector for grounding a rotating pipe or rod to a flat surface. Finds wide application in grounding switch operating pipes and fence gates.

TYPE GCG modification is for grounding one pipe or rod to another.

Material

- Copper Alloy
- Braid is tin plated copper wire, terminated at each end by a non-plated pad.

Hardware

Everdur bolts, nuts and lockwashers

Note

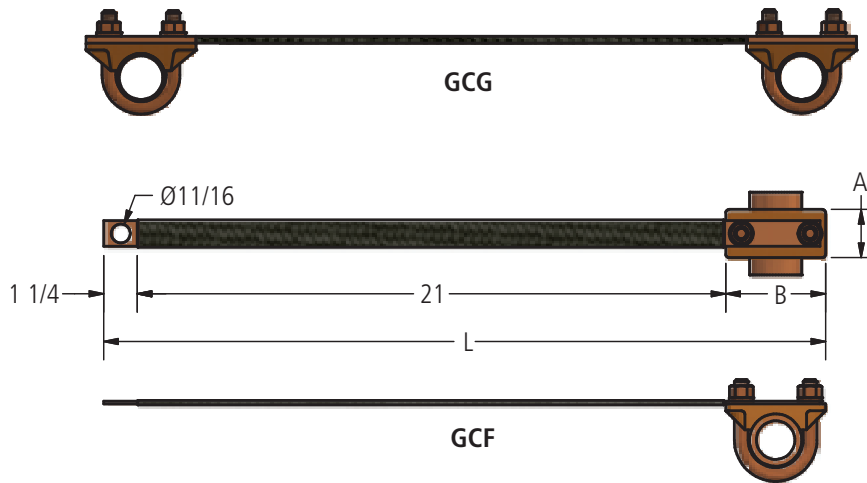
Braid may be custom made for any configuration of length, pad size or hole diameter.



GCF



GCG



Ordering Information

CATALOG NUMBER	GROUNDING SPS	AMP CAPACITY OF BRAID	DIMENSIONS IN INCHES			BOLT SIZE
			A	B	L	
GCF75-771	3/4	180	1	2 11/16	24 15/16	3/8
GCF75-2301	3/4	350	1 1/2	2 11/16	24 15/16	3/8
GCF75-3021	3/4	410	1 1/2	2 11/16	24 15/16	3/8
GCF100-771	1	180	1	2 15/16	25 3/16	3/8
GCF100-2301	1	350	1 1/2	2 15/16	25 3/16	3/8
GCF100-3021	1	410	1 1/2	2 15/16	25 3/16	3/8
GCF125-771	1 1/4	180	1	3 1/4	25 1/2	3/8
GCF125-2301	1 1/4	350	1 1/2	3 1/4	25 1/2	3/8
GCF125-3021	1 1/4	410	1 1/2	3 1/4	25 1/2	3/8
GCF150-771	1 1/2	180	1	3 1/2	25 3/4	3/8
GCF150-2301	1 1/2	350	1 1/2	3 1/2	25 3/4	3/8
GCF150-3021	1 1/2	410	1 1/2	3 1/2	25 3/4	3/8
GCF200-771	2	180	1	4	26 1/4	3/8
GCF200-2301	2	350	1 1/2	4	26 1/4	3/8
GCF200-3021	2	410	1 1/2	4	26 1/4	3/8
GCF250-771	2 1/2	180	1	4 1/2	26 3/4	3/8
GCF250-2301	2 1/2	350	1 1/2	4 1/2	26 3/4	3/8
GCF250-3021	2 1/2	410	1 1/2	4 1/2	26 3/4	3/8

DOSSERT®

TYPE GD

Grounding Connector For Flat Bar to Pipe Or Rod

A ground connector for securing a flat bar to a grounding rod or pipe. The flat bar may be assembled in a horizontal or vertical position. Connector can accommodate any thickness of bar.

Material

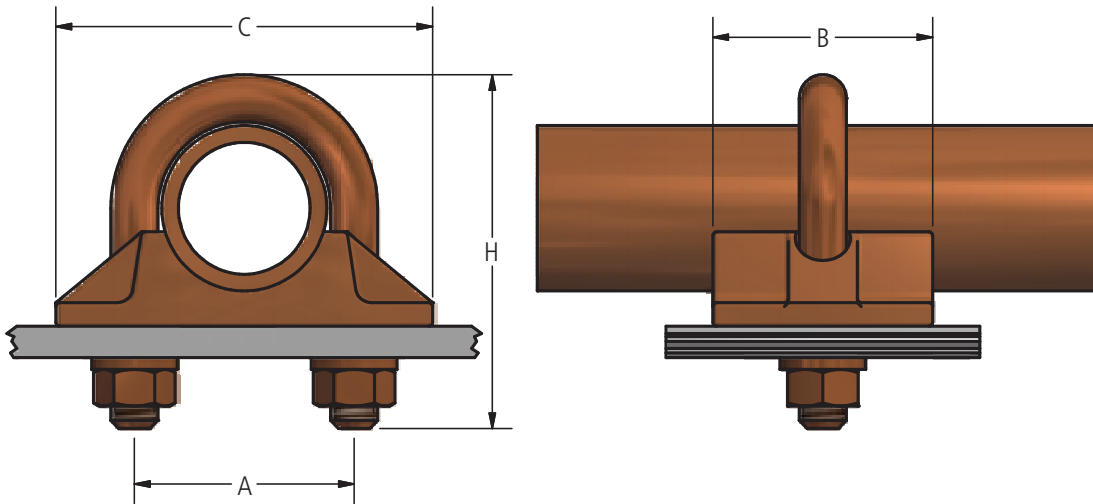
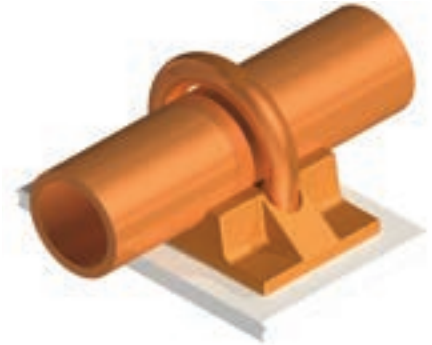
Copper Alloy

Hardware

Everdur U-bolts, nuts and lockwashers

Note

Where bars to be used will exceed 1/4 inch please contact the Factory due to the necessity of larger U-Bolts.



Ordering Information

CATALOG NUMBER	GROUNDING		DIMENSIONS IN INCHES				BOLT SIZE
	PIPE SPS	ROD	A	B	C	H	
GD25	1/4	1/2	1	1 1/4	1 7/8	1 3/4	3/8
GD38	3/8	5/8 or 3/4	1 1/8	1 1/4	2	1 7/8	3/8
GD75	1/2 or 3/4	7/8 or 1	1 1/2	1 1/2	2 1/2	2 5/16	3/8
GD100	1	-	1 3/4	1 3/4	2 3/4	2 9/16	3/8
GD125	1 1/4	-	2 1/8	1 3/4	3 1/8	3	3/8
GD150	1 1/2	-	2 3/8	2	3 3/8	3 1/4	3/8
GD200	2	-	2 13/16	2	3 7/8	3 3/4	3/8
GD250	2 1/2	-	3 5/16	2 1/2	4 3/8	4 1/4	3/8
GD300	3	-	4 1/8	2 1/2	5 3/16	5 1/8	1/2
GD350	3 1/2	-	4 5/8	2 3/4	5 3/4	5 9/16	1/2
GD400	4	-	5 1/8	2 3/4	6 1/4	6 3/16	1/2

DOSSERT®

TYPE GF, GFM

Copper Grounding Connector for Cable to a Flat Surface

A ground clamp for grounding a cable or wire to a flat bar, plate or flat structural steel member. The bolt is retained by the body to enable assembly with only one wrench. GFM comes without the base.

Material

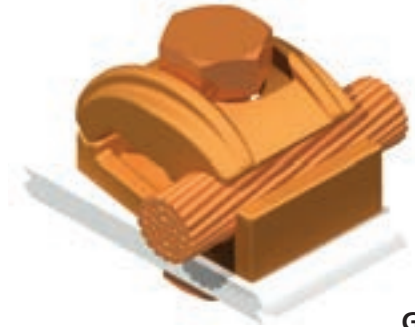
Copper Alloy

Hardware

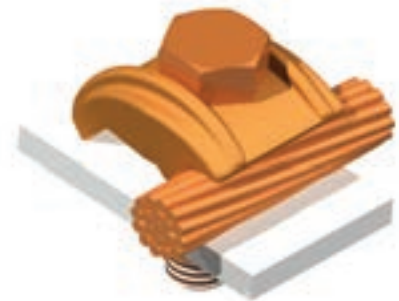
Everdur bolts, nuts and lockwashers

Notes

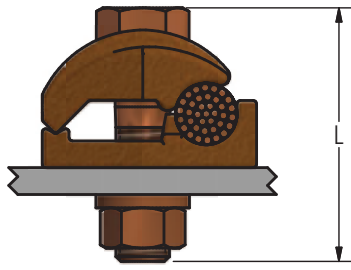
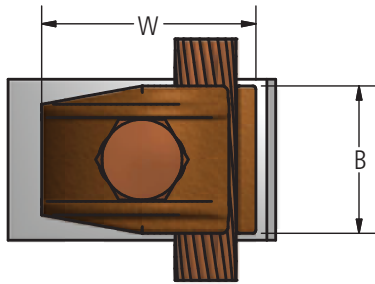
- Bolt length supplied to clamp a 1/4" bar with maximum conductor in place. For thicker bars, longer bolts will be furnished upon request.
- For tin plating add suffix "-SN" to end of catalog number. Example: GF13-SN
- For a 300 mcm conductor and one piece assembly, order GFM50.
- For Galvanized Steel Hardware, add "-GS" to catalog number. EX: GF13-GS
- For Stainless Steel Hardware, add "-SS" to catalog number. EX: GF13-SS



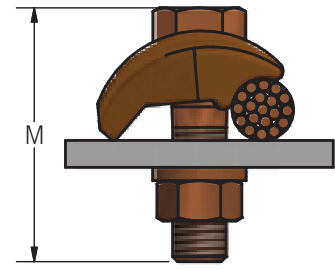
GF



GFM



GF



GFM

Ordering Information

CATALOG NUMBER		CABLE RANGE		DIMENSIONS IN INCHES				BOLT SIZE
GF	GFM	MIN	MAX	B	L	M	W	
GF4	GFM4	8 Solid	4 Stranded	1	1 15/16	1 7/16	1 7/16	3/8
GF13	GFM13	4 Solid	2/0 Stranded	1 1/8	1 15/16	1 11/16	1 9/16	3/8
GF25	GFM25	2/0 Solid	250 MCM	1 3/8	2 1/4	2	2	1/2
GF30	GFM30	4 Solid	300 MCM	1 3/8	2 5/8	2 1/8	2	1/2
GF50	GFM50	300 MCM	500 MCM	1 1/2	2 7/8	2 1/4	2 7/16	1/2
GF75	GFM75	550 MCM	750 MCM	1 5/8	3 1/4	2 3/4	2 7/8	5/8
GF100	GFM100	800 MCM	1000 MCM	1 3/4	3 1/2	3 1/4	3 3/16	5/8

DOSSERT®

TYPE GG

Copper Ground Connector For Crossing Two Cables Or Ground Rod

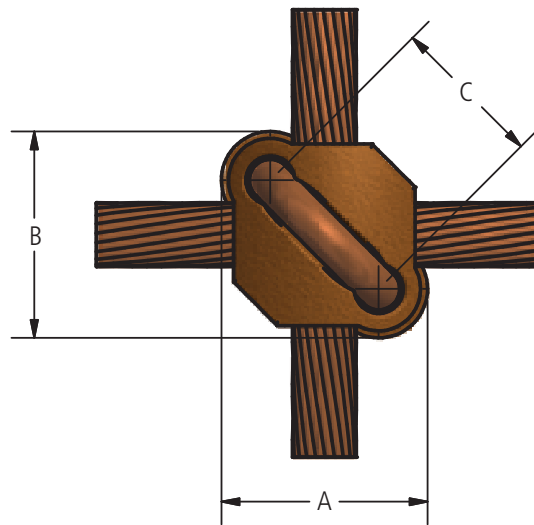
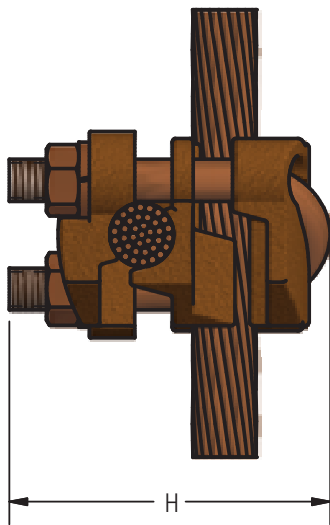
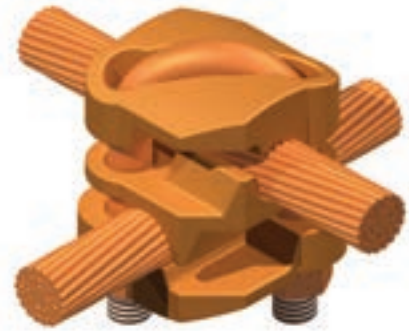
A ground connector for crossing two wires or cables or for securing a cable or wire to a ground rod. Can also be used for equalizing over head cables and wire. Its high resistance to corrosion enables this connector to be buried in the ground after a connection is made.

Material

Copper Alloy

Hardware

Everdur U-bolts, nuts and lockwashers



Ordering Information

CATALOG NUMBER	GROUND ROD	CABLE RANGE				DIMENSIONS IN INCHES				BOLT SIZE
		RUN		TAP		A	B	C	H	
		MIN	MAX	MIN	MAX					
GG4-4	-	8 Solid	4 Stranded	8 Solid	4 Stranded	1 17/32	1 17/32	15/16	1 3/4	3/8
GG13-4	3/8	4 Solid	2/0 Stranded	8 Solid	4 Stranded	1 23/32	1 17/32	1 1/16	2 1/8	3/8
GG13-13	3/8	4 Solid	2/0 Stranded	4 Solid	2/0 Stranded	1 23/32	1 23/32	1 1/8	2 5/16	3/8
GG25-4	1/2	2/0 Solid	250 MCM	8 Solid	4 Stranded	1 27/32	1 17/32	1 3/16	2 1/4	3/8
GG25-13	1/2	2/0 Solid	250 MCM	4 Solid	2/0 Stranded	1 27/32	1 23/32	1 9/32	2 1/2	3/8
GG25-25	1/2	2/0 Solid	250 MCM	2/0 Solid	250 MCM	1 27/32	1 27/32	1 3/8	2 5/8	3/8
GG50-4	3/4	300 MCM	500 MCM	8 Solid	4 Stranded	2 3/32	1 17/32	1 3/8	2 1/2	3/8
GG50-13	3/4	300 MCM	500 MCM	4 Solid	2/0 Stranded	2 3/32	1 23/32	1 15/32	2 3/4	3/8
GG50-25	3/4	300 MCM	500 MCM	2/0 Solid	250 MCM	2 3/32	1 27/32	1 9/16	2 7/8	3/8
GG50-50	3/4	300 MCM	500 MCM	300 MCM	500 MCM	2 3/32	2 3/32	1 23/32	3 3/8	1/2
GG75-4	1	500 MCM	750 MCM	8 Solid	4 Stranded	2 9/32	1 17/32	1 9/16	2 3/4	3/8
GG75-13	1	500 MCM	750 MCM	4 Solid	2/0 Stranded	2 9/32	1 23/32	1 21/32	3	3/8
GG75-25	1	500 MCM	750 MCM	2/0 Solid	250 MCM	2 9/32	1 27/32	1 23/32	3 1/8	3/8
GG75-50	1	500 MCM	750 MCM	300 MCM	500 MCM	2 21/32	2 3/32	1 31/32	3 5/8	1/2
GG75-75	1	500 MCM	750 MCM	500 MCM	750 MCM	2 21/32	2 21/32	2 3/16	3 15/16	1/2
GG100-4	-	750 MCM	1000 MCM	8 Solid	4 Stranded	2 7/16	1 17/32	1 23/32	3	3/8
GG100-13	-	750 MCM	1000 MCM	4 Solid	2/0 Stranded	2 7/16	1 23/32	1 25/32	3 1/4	3/8
GG100-25	-	750 MCM	1000 MCM	2/0 Solid	250 MCM	2 7/16	1 27/32	1 27/32	3 1/2	3/8
GG100-50	-	750 MCM	1000 MCM	300 MCM	500 MCM	2 13/16	2 3/32	2 3/32	3 13/16	1/2
GG100-75	-	750 MCM	1000 MCM	500 MCM	750 MCM	2 13/16	2 21/32	2 9/32	4 1/16	1/2
GG100-100	-	750 MCM	1000 MCM	750 MCM	1000 MCM	2 13/16	2 13/16	2 13/32	4 1/4	1/2

DOSSERT®

TYPE GH

Ground Connector For Cable To Large Diameter Pipe

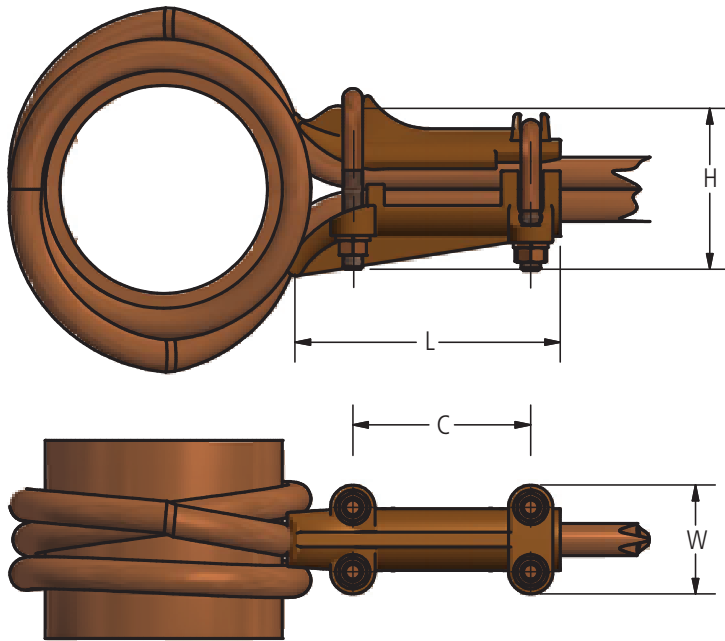
A ground connector for connecting a cable or wire to a large diameter pipe, tubular column or fence post. Each connector size accommodates a wide range of pipe sizes as well as cable sizes.

Material

Copper Alloy

Hardware

Everdur U-bolts, nuts and lockwashers



Ordering Information

CATALOG NUMBER	GROUNDING		GROUNDING PIPE SPS	DIMENSIONS IN INCHES				BOLT SIZE
	MIN	MAX		C	H	L	W	
GH13	4 Stranded	2/0 Stranded	6	3	4 7/16	5 1/4	2 7/16	1/2
GH13-S	4 Stranded	2/0 Stranded	Above 6	3	7	5 1/4	2 7/16	1/2
GH25	2/0 Stranded	250 MCM	6	4	4 1/8	6 1/4	2 3/4	1/2
GH25-S	2/0 Stranded	250 MCM	Above 6	4	7 1/2	6 1/4	2 3/4	1/2
GH50	300 MCM	500 MCM	6	4 1/2	4 7/8	6 3/4	2 3/4	1/2
GH50-S	300 MCM	500 MCM	Above 6	4 1/2	9	6 3/4	2 3/4	1/2

DOSSERT®

TYPE GK

Ground Clamp For 3 Cables To Fence Post

A ground connector for grounding three equal size cables at right angles to a grounding pipe or rod. Use of highly corrosion resistant materials allows the connector to be buried in the ground after connection is made. Finds wide application in the grounding of fences and structural members about a substation.

Material

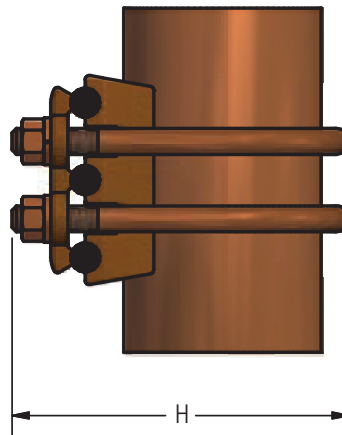
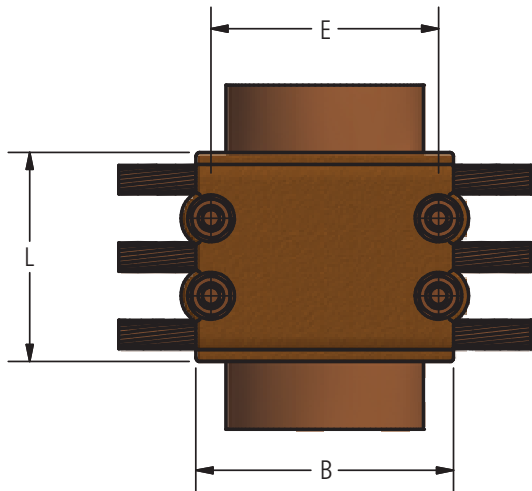
Copper Alloy

Note

For tin plating add suffix (SN) to catalog number. Example: GK25-4-SN

Hardware

Everdur bolts, nuts and lockwashers



DOSSERT®

TYPE GK

Ground Clamp For 3 Cables To Fence Post

Ordering Information

CATALOG NUMBER	GROUNDING		CABLE RANGE		DIMENSIONS IN INCHES				BOLT SIZE
	PIPE SPS	ROD	MIN	MAX	B	E	H	L	
GK25-4	1/4	1/2	8 Solid	#4 Stranded	1 5/8	1	2 1/16	2 1/2	3/8
GK25-13	1/4	1/2	4 Solid	2/0 Stranded	1 5/8	1	2 3/16	3 1/16	3/8
GK25-25	1/4	1/2	2/0 Solid	250 MCM	1 3/4	1 1/8	2 1/2	3 3/4	1/2
GK38-4	3/8	5/8 or 3/4	8 Solid	#4 Stranded	1 3/4	1 3/16	2 1/4	2 1/2	3/8
GK38-13	3/8	5/8 or 3/4	4 Solid	2/0 Stranded	1 3/4	1 3/16	2 3/8	3 1/16	3/8
GK38-25	3/8	5/8 or 3/4	2/0 Solid	250 MCM	2	1 5/16	2 11/16	3 3/4	1/2
GK38-50	3/8	5/8 or 3/4	300 MCM	500 MCM	2	1 5/16	3 3/16	4 5/8	1/2
GK75-4	1/2 or 3/4	7/8 or 1	8 Solid	#4 Stranded	2 1/4	1 1/2	2 1/2	2 1/2	3/8
GK75-13	1/2 or 3/4	7/8 or 1	4 Solid	2/0 Stranded	2 1/4	1 1/2	2 5/8	3 1/16	3/8
GK75-25	1/2 or 3/4	7/8 or 1	2/0 Solid	250 MCM	2 1/2	1 5/8	2 15/16	3 3/4	1/2
GK75-50	1/2 or 3/4	7/8 or 1	300 MCM	500 MCM	2 1/2	1 5/8	3 1/2	4 5/8	1/2
GK100-4	1	-	8 Solid	#4 Stranded	2 1/2	1 3/4	2 3/4	2 1/2	3/8
GK100-13	1	-	4 Solid	2/0 Stranded	2 1/2	1 3/4	2 7/8	3 1/16	3/8
GK100-25	1	-	2/0 Solid	250 MCM	2 5/8	1 7/8	3 1/4	3 3/4	1/2
GK100-50	1	-	300 MCM	500 MCM	2 7/8	1 7/8	3 3/4	4 5/8	1/2
GK100-75	1	-	500 MCM	750 MCM	2 7/8	1 7/8	3 7/8	5 1/4	1/2
GK125-4	1 1/4	-	8 Solid	#4 Stranded	2 1/2	2 1/8	3 1/8	2 1/2	3/8
GK125-13	1 1/4	-	4 Solid	2/0 Stranded	2 5/8	2 1/8	3 1/4	3 1/16	3/8
GK125-25	1 1/4	-	2/0 Solid	250 MCM	2 5/8	2 1/4	3 5/8	3 3/4	1/2
GK125-50	1 1/4	-	300 MCM	500 MCM	3	2 1/4	4	4 5/8	1/2
GK125-75	1 1/4	-	500 MCM	750 MCM	3	2 1/4	4 3/4	5 1/4	1/2
GK150-4	1 1/2	-	8 Solid	#4 Stranded	3 1/8	2 3/8	3 3/8	2 1/2	3/8
GK150-13	1 1/2	-	4 Solid	2/0 Stranded	3 1/8	2 3/8	3 1/2	3 1/16	3/8
GK150-25	1 1/2	-	2/0 Solid	250 MCM	3 1/4	2 1/2	3 7/8	3 3/4	1/2
GK150-50	1 1/2	-	300 MCM	500 MCM	3 1/2	2 1/2	4 3/8	4 5/8	1/2
GK150-75	1 1/2	-	500 MCM	750 MCM	3 1/2	2 1/2	4 5/8	5 1/4	1/2
GK150-100	1 1/2	-	750 MCM	1000 MCM	3 9/16	2 1/2	4 3/4	6	1/2
GK200-4	2	-	8 Solid	#4 Stranded	3 7/8	2 13/16	3 7/8	2 1/2	3/8
GK200-13	2	-	4 Solid	2/0 Stranded	4	2 13/16	4 1/8	3 1/16	3/8
GK200-25	2	-	2/0 Solid	250 MCM	4	2 15/16	4 9/16	3 3/4	1/2
GK200-50	2	-	300 MCM	500 MCM	4	2 15/16	4 3/4	4 5/8	1/2
GK200-75	2	-	500 MCM	750 MCM	4 1/8	2 15/16	5 1/8	5 1/4	1/2
GK200-100	2	-	750 MCM	1000 MCM	4 1/4	2 15/16	5 3/8	6	1/2
GK250-4	-	2 1/2	8 Solid	#4 Stranded	4 1/4	3 5/16	4 1/2	2 1/2	3/8
GK250-13	-	2 1/2	4 Solid	2/0 Stranded	4 1/4	3 5/16	4 3/4	3 1/16	3/8
GK250-25	-	2 1/2	2/0 Solid	250 MCM	4 1/2	3 7/16	5 3/16	3 3/4	1/2
GK250-50	-	2 1/2	300 MCM	500 MCM	4 1/2	3 7/16	5 1/4	4 5/8	1/2
GK250-75	-	2 1/2	500 MCM	750 MCM	4 3/4	3 7/16	5 9/16	5 1/4	1/2
GK250-100	-	2 1/2	750 MCM	1000 MCM	4 3/4	3 7/16	5 7/8	6	1/2
GK300-4	-	3	8 Solid	#4 Stranded	5	4	5	2 1/2	3/8
GK300-13	-	3	4 Solid	2/0 Stranded	5	4	5 1/4	3 1/16	3/8
GK300-25	-	3	2/0 Solid	250 MCM	5	4 1/8	5 5/8	3 3/4	1/2
GK300-50	-	3	300 MCM	500 MCM	5 1/4	4 1/8	5 7/8	4 5/8	1/2
GK300-75	-	3	500 MCM	750 MCM	5 1/4	4 1/8	6 3/8	5 1/4	1/2
GK300-100	-	3	750 MCM	1000 MCM	5 1/4	4 1/8	6 11/16	6	1/2

DOSSERT®

TYPE GL

Ground Clamp for Cable to Flat Bar

A connector for grounding a cable or wire to flat bar, plate or structural frame. The looping of the conductor about the clamping bolt insures a secure electrical contact and a high pull out strength. Standard bolt length is provided to mount the connector on a 1/4 inch thick member.

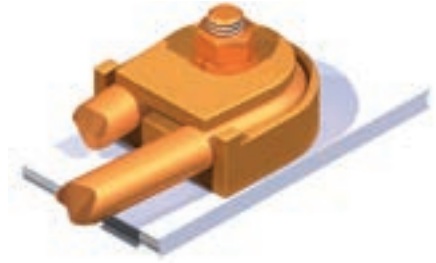
Material

Copper Alloy

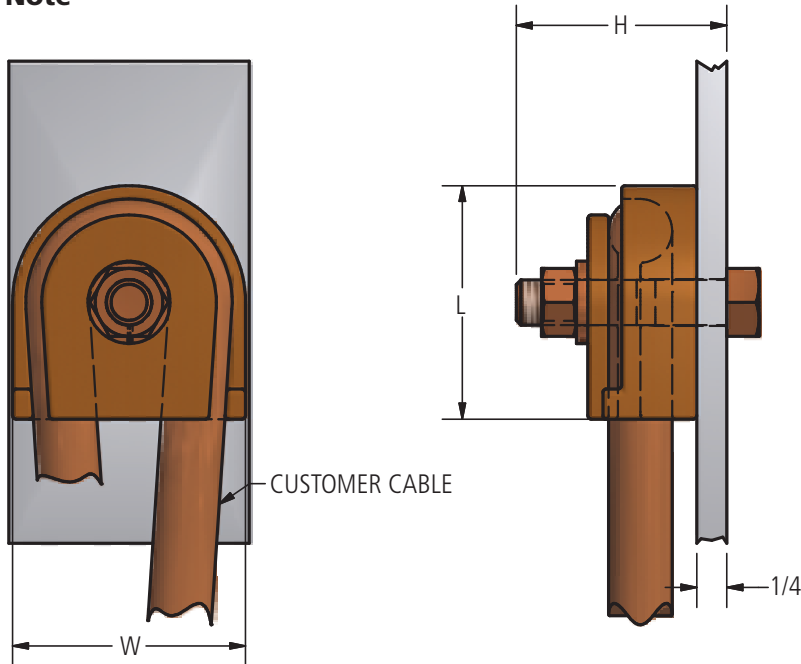
Hardware

Everdur bolts, nuts and lockwashers

- Longer bolts can be furnished on request.
- For tin plating add suffix "-SN" to end of catalog number. Example: GL13-38-SN



Note



Ordering Information

CATALOG NUMBER	CABLE RANGE		DIMENSIONS IN INCHES			BOLT SIZE
	MIN	MAX	H	L	W	
GL4-38	8 Stranded	4 Stranded	1 1/2	1 7/16	1 1/4	3/8
GL4-50	8 Stranded	4 Stranded	1 7/8	1 15/16	1 3/4	1/2
GL4-63	8 Stranded	4 Stranded	2	1 15/16	1 3/4	5/8
GL13-38	3 Stranded	2/0 Stranded	2	1 7/8	1 11/16	3/8
GL13-50	3 Stranded	2/0 Stranded	2 1/8	1 15/16	1 13/16	1/2
GL13-63	3 Stranded	2/0 Stranded	2 1/4	1 15/16	1 13/16	5/8
GL25-38	3/0 Stranded	250 MCM	2 1/4	2 7/16	2 1/8	3/8
GL25-50	3/0 Stranded	250 MCM	2 3/8	2 7/16	2 1/4	1/2
GL25-63	3/0 Stranded	250 MCM	2 1/2	2 7/16	2 1/4	5/8

DOSSERT[®]**TYPE GPC****Ground Clamp for Cable to Pipe in Parallel**

A ground clamp for connecting a cable to a rod or pipe in a parallel or right angle position. Each position will accommodate a wide range of cable sizes. The cable can be placed in either clamping position without disassembly of clamp. Whole clamp is highly corrosion resistant.

Material

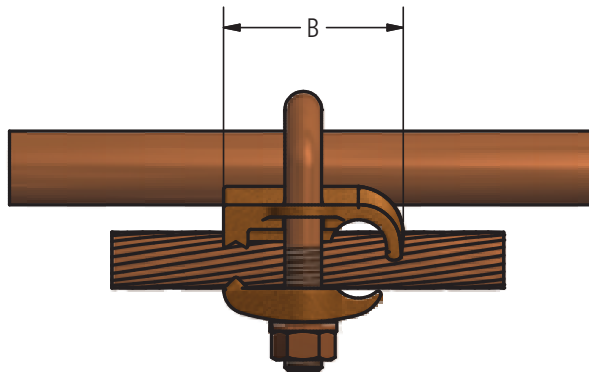
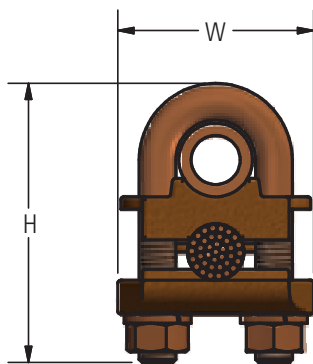
Copper Alloy

Hardware

Everdur U-bolts, nuts and lockwashers

Notes

- For O.D. pipe sizes to specified, add -R to catalog number, EX: GPC38R-4
- For tin plating, add suffix "-SN" to end of catalog number. EX: GPC38-4-SN
- For stainless steel bolts, lockwashers and Everdur nuts, add "-SSHBN" to catalog number. EX: GPC38-4-SSHBN
- All sizes are not shown, please contact customer service.





DOSSERT®

TYPE GPC

Ground Clamp for Cable to Pipe in Parallel

Ordering Information

CATALOG NUMBER	GROUNDING		CABLE RANGE		DIMENSIONS IN INCHES			BOLT SIZE
	PIPE SPS	ROD	MIN	MAX	B	H	W	
GPC25-4	1/4	1/2	8 Solid	4 Stranded	1.44	2.44	1.88	3/8
GPC25-13	1/4	1/2	4 Solid	2/0 Stranded	1.63	2.44	1.88	3/8
GPC25-25	1/4	1/2	2/0 Solid	250 MCM	1.88	2.50	1.88	3/8
GPC25-50	1/4	1/2	300 MCM	500 MCM	1.88	2.50	1.88	3/8
GPC38-4	3/8	5/8 or 3/4	8 Solid	4 Stranded	1.44	2.50	2.00	3/8
GPC38-13	3/8	5/8 or 3/4	4 Solid	2/0 Stranded	1.63	2.63	2.00	3/8
GPC38-25	3/8	5/8 or 3/4	2/0 Solid	250 MCM	1.88	2.75	2.00	3/8
GPC38-50	3/8	5/8 or 3/4	300 MCM	500 MCM	2.38	3.25	2.38	1/2
GPC75-4	1/2 or 3/4	7/8 or 1	8 Solid	4 Stranded	1.44	2.56	2.38	3/8
GPC75-13	1/2 or 3/4	7/8 or 1	4 Solid	2/0 Stranded	1.63	2.75	2.38	3/8
GPC75-25	1/2 or 3/4	7/8 or 1	2/0 Solid	250 MCM	1.88	2.88	2.38	3/8
GPC75-50	1/2 or 3/4	7/8 or 1	300 MCM	500 MCM	2.38	3.50	2.75	1/2
GPC100-4	1	1 1/8 - 1 1/4	8 Solid	4 Stranded	1.44	2.75	2.63	3/8
GPC100-13	1	1 1/8 - 1 1/4	4 Solid	2/0 Stranded	1.63	3.25	2.63	3/8
GPC100-25	1	1 1/8 - 1 1/4	2/0 Solid	250 MCM	1.88	3.25	2.63	3/8
GPC100-50	1	1 1/8 - 1 1/4	300 MCM	500 MCM	2.38	3.75	3.00	1/2
GPC125-4	1 1/4	1 3/8 - 1 5/8	8 Solid	4 Stranded	1.44	3.25	3.00	3/8
GPC125-13	1 1/4	1 3/8 - 1 5/8	4 Solid	2/0 Stranded	1.63	3.56	3.00	3/8
GPC125-25	1 1/4	1 3/8 - 1 5/8	2/0 Solid	250 MCM	1.88	3.63	3.00	3/8
GPC125-50	1 1/4	1 3/8 - 1 5/8	300 MCM	500 MCM	2.38	4.06	3 3/8	1/2
GPC150-4	1 1/2	1 5/8 - 1 7/8	8 Solid	4 Stranded	1.44	3.44	3.25	3/8
GPC150-13	1 1/2	1 5/8 - 1 7/8	4 Solid	2/0 Stranded	1.63	3.44	3.25	3/8
GPC150-25	1 1/2	1 5/8 - 1 7/8	2/0 Solid	250 MCM	1.88	4.00	3.25	3/8
GPC150-50	1 1/2	1 5/8 - 1 7/8	300 MCM	500 MCM	2.38	4.31	3.63	1/2
GPC200-4	2	2 - 2 1/2	8 Solid	4 Stranded	1.44	3.88	3.69	3/8
GPC200-13	2	2 - 2 1/2	4 Solid	2/0 Stranded	1.63	4.25	3.69	3/8
GPC200-25	2	2 - 2 1/2	2/0 Solid	250 MCM	1.88	4.44	3.69	3/8
GPC200R-25	-	2 1/2	2/0 Solid	250 MCM	1.88	4.44	3.69	3/8
GPC200-50	2	2 - 2 1/2	300 MCM	500 MCM	2.38	5.16	4.06	1/2
GPC250-4	2 1/2	2 5/8 - 2 7/8	8 Solid	4 Stranded	1.44	4.38	4.19	3/8
GPC250-13	2 1/2	2 5/8 - 2 7/8	4 Solid	2/0 Stranded	1.63	4.75	4.19	3/8
GPC250-25	2 1/2	2 5/8 - 2 7/8	2/0 Solid	250 MCM	1.88	4.88	4.19	3/8
GPC250R-25	-	2 1/2	2/0 Solid	250 MCM	1.88	4.88	4.19	3/8
GPC250-50	2 1/2	2 5/8 - 2 7/8	300 MCM	500 MCM	2.38	5.50	4.56	1/2
GPC300-4	3	3 1/4 - 3 1/2	8 Solid	4 Stranded	1.44	5.00	4.81	3/8
GPC300-13	3	3 1/4 - 3 1/2	4 Solid	2/0 Stranded	1.63	5.38	4.75	3/8
GPC300-25	3	3 1/4 - 3 1/2	2/0 Solid	250 MCM	1.81	5.50	4.75	3/8
GPC300R-25	-	3	2/0 Solid	250 MCM	1.88	5.50	4.31	3/8
GPC300-50	3	3 1/2	300 MCM	500 MCM	2.38	5.75	5.19	1/2
GPC350-4	3 1/2	3 3/4 - 4	8 Solid	4 Stranded	1.44	5.50	5.19	3/8
GPC350-13	3 1/2	3 3/4 - 4	4 Solid	2/0 Stranded	1.63	5.88	5.38	3/8
GPC350-25	3 1/2	3 3/4 - 4	2/0 Solid	250 MCM	1.88	6.00	5.31	3/8
GPC350-50	3 1/2	3 3/4 - 4	300 MCM	500 MCM	2.38	6.81	5.69	1/2
GPC400-4	4	4 1/4 - 4 1/2	8 Solid	4 Stranded	1.44	6.00	5.81	3/8
GPC400-13	4	4 1/4 - 4 1/2	4 Solid	2/0 Stranded	1.63	6.38	5.75	3/8
GPC400-25	4	4 1/4 - 4 1/2	2/0 Solid	250 MCM	1.81	6.50	5.75	3/8
GPC400R-25	-	4	2/0 Solid	250 MCM	1.88	6.00	5.31	3/8
GPC400-50	4	4 1/4 - 4 1/2	300 MCM	500 MCM	2.38	7.41	6.19	1/2
GPC600-50	6	6 5/8	300 MCM	500 MCM	2.38	9.77	8.31	1/2

DOSSERT®

TYPE GPF

Universal Ground Connector for Cable to Pipe

A universal ground connector for connecting a groundwire or cable to pipe. The rotatable feature of the conductor clamping element permits the positioning and clamping of the wire or cable at any angle through a full 360° arc.

Material

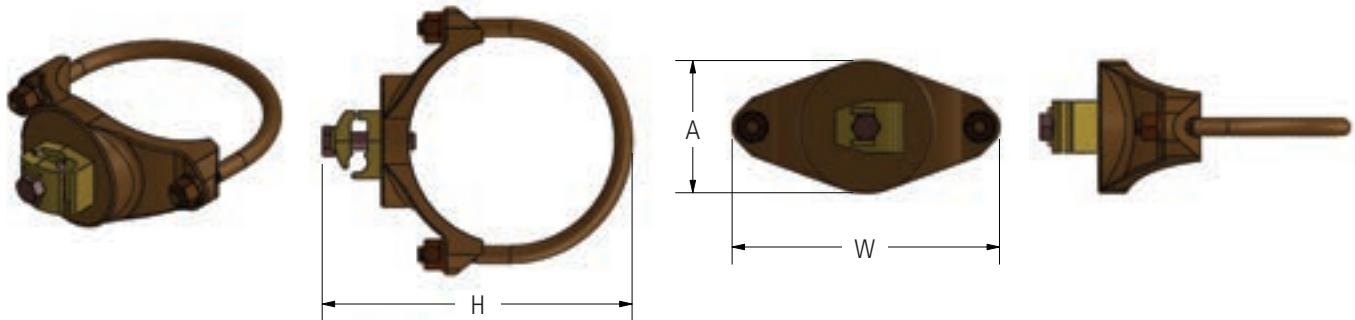
Copper Alloy

Hardware

Everdur bolts, lockwashers and nuts

Note

For tin plating, add suffix "-SN" to catalog number. Example: GPF250-13-SN



Ordering Information

CATALOG NUMBER	GROUND PIPE SPS	CABLE RANGE		DIMENSIONS IN INCHES			
		MIN	MAX	A	H	W	BOLT SIZE
GPF100-25	1	2/0 Solid	250 MCM	1.38	4.33	2.63	3/8
GPF200-25	2	2/0 Solid	250 MCM	2.00	5.38	3.69	3/8
GPF200-50	2	300 MCM	500 MCM	2.00	5.66	3.69	3/8
GPF250-4	2 1/2	8 Solid	4 Stranded	1.63	4.75	4.19	3/8
GPF250-13	2 1/2	4 Solid	2/0 Stranded	2.25	4.88	4.19	3/8
GPF250-25	2 1/2	2/0 Solid	250 MCM	2.25	5.25	4.19	3/8
GPF250-50	2 1/2	300 MCM	500 MCM	2.50	6.04	4.19	1/2
GPF300-4	3	8 Solid	4 Stranded	1.63	5.38	4.81	3/8
GPF300-13	3	4 Solid	2/0 Stranded	2.25	5.50	4.81	3/8
GPF300-25	3	2/0 Solid	250 MCM	2.25	5.75	4.81	3/8
GPF300-50	3	300 MCM	500 MCM	2.88	6.25	5.19	1/2
GPF350-4	3 1/2	8 Solid	4 Stranded	1.63	5.88	5.31	3/8
GPF350-13	3 1/2	4 Solid	2/0 Stranded	2.25	6.00	5.31	3/8
GPF350-25	3 1/2	2/0 Solid	250 MCM	2.50	6.60	5.31	3/8
GPF350-50	3 1/2	300 MCM	500 MCM	2.50	7.16	5.31	1/2
GPF400-4	4	8 Solid	4 Stranded	1.63	6.38	5.81	3/8
GPF400-13	4	4 Solid	2/0 Stranded	2.25	6.50	5.81	3/8
GPF400-25	4	2/0 Solid	250 MCM	2.25	6.75	5.81	3/8
GPF400-50	4	300 MCM	500 MCM	2.88	7.25	6.19	1/2
GPF450-13	4 1/2	4 Solid	2/0 Stranded	2.25	7.00	6.31	3/8
GPF450-25	4 1/2	2/0 Solid	250 MCM	2.50	7.25	6.31	3/8
GPF450-50	4 1/2	300 MCM	500 MCM	2.88	7.75	6.69	1/2
GPF500-13	5	4 Solid	2/0 Stranded	2.25	7.56	6.88	3/8
GPF500-25	5	2/0 Solid	250 MCM	2.50	7.81	6.88	3/8
GPF500-50	5	300 MCM	500 MCM	2.88	8.31	7.25	1/2
GPF600-13	6	4 Solid	2/0 Stranded	2.25	8.50	7.94	3/8
GPF600-25	6	2/0 Solid	250 MCM	2.50	8.75	7.94	3/8
GPF600R-25	6	2/0 Solid	250 MCM	2.50	8.75	7.31	3/8
GPF600-50	6	300 MCM	500 MCM	2.88	9.25	8.38	1/2

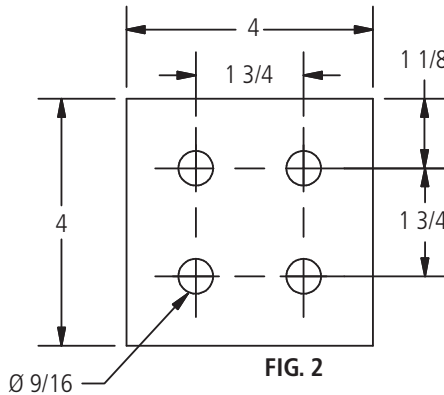
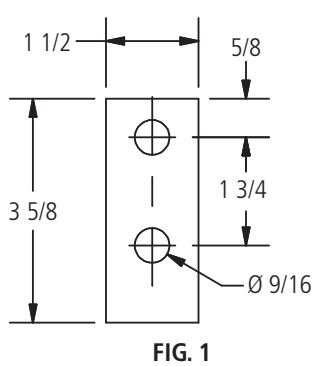
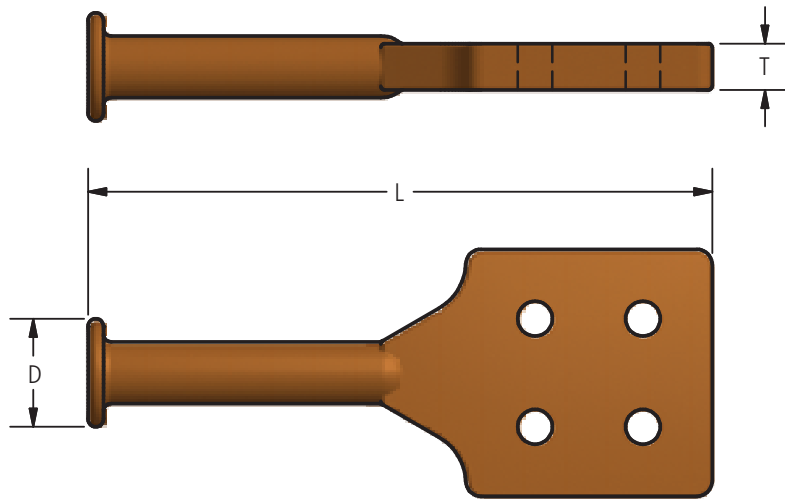
Bronze Grounding Connectors and Everdur Hardware

DOSSERT® TYPE GPH-N

Other pad configurations can be ordered by contacting Customer Service.

Material

Copper Alloy



Ordering Information

CATALOG NUMBER	FIG. NO.	DIMENSIONS IN INCHES		
		D	L	T
GPH-2N	1	1 1/4	8 5/8	1/2
GPH-4N4	2	1 3/4	10 1/8	3/4

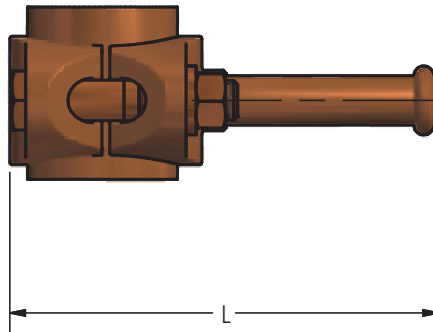
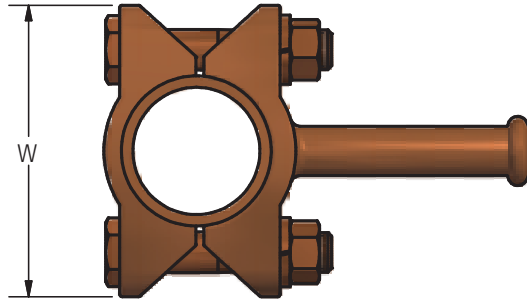
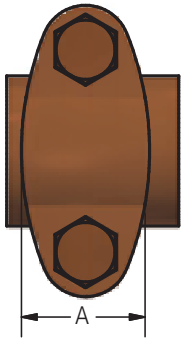
DOSSERT® TYPE GPH

Material

Copper Alloy

Hardware

Everdur Bolts, Nuts, and Lock Washers



Ordering Information

CATALOG NUMBER	SPS	DIMENSIONS IN INCHES			
		A	L	BOLT SIZE	W
GPH50	1/2	1 1/2	5 1/2	3/8	3
GPH125	1 1/4	1 5/8	6 1/4	1/2	3 3/8
GPH150	1 1/2	2	6 9/16	1/2	3 11/16
GPH200	2	2	7 1/16	1/2	4 1/4
GPH250	2 1/2	2	7 9/16	1/2	4 3/4
GPH300	3	2	8 1/4	1/2	5 3/8
GPH400	4	2	9 1/4	1/2	6 3/8

DOSSERT®

TYPE GR Grounding Connector for Braid to Pipe

A ground connector for grounding flexible braid, laminated copper band, and copper bar to a pipe. Will also accommodate stranded cable when cable is unbraided and flattened out.

Material

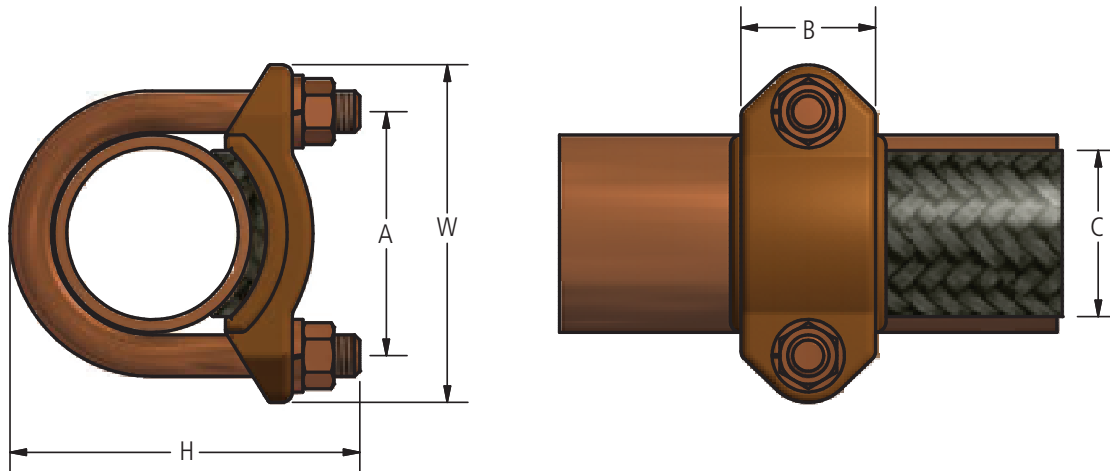
Copper Alloy

Hardware

Everdur U-bolts, nuts and lockwashers

Notes

- All sizes are not shown; item is available up to 6 inches SPS and other braid-to-pipe configurations.
- For Electro Tin plate, add suffix "-SN" to catalog number. Example: GR400A-SN



Ordering Information

CATALOG NUMBER	SPS	DIMENSIONS IN INCHES					BOLT SIZE
		A	B	C	H	W	
GR100A	1	1 3/4	1 1/8	1	2 5/8	2 5/8	3/8
GR125A	1 1/4	2 3/32	1 1/4	1	3	2 31/32	3/8
GR150A	1 1/2	2 5/16	1 3/8	1	3 9/32	3 3/16	3/8
GR150B	1 1/2	2 5/16	1 7/16	1 1/2	3 19/64	3 3/16	3/8
GR200A	2	2 13/16	1 1/4	1	3 27/32	3 11/16	3/8
GR200B	2	2 13/16	1 3/8	1 1/2	3 27/32	3 21/32	3/8
GR200C	2	2 15/16	1 7/8	2	4 7/32	4 1/16	1/2
GR250A	2 1/2	3 7/16	1 5/8	2	4 17/32	4 9/16	1/2
GR250B	2 1/2	3 7/16	1 7/8	2 1/2	4 11/32	4 9/16	1/2
GR300A	3	4 1/16	2 1/8	2	5 1/32	5 3/16	1/2
GR300B	3	4 1/16	1 7/8	2 1/2	5 1/32	5 3/16	1/2
GR300C	3	4 1/16	1 7/8	3	5 1/32	5 3/16	1/2
GR350A	3 1/2	4 5/8	2 1/8	2	5 7/8	5 21/32	1/2
GR350B	3 1/2	4 5/8	2 1/4	2 1/2	5 7/8	5 21/32	1/2
GR350C	3 1/2	4 5/8	2 1/4	3	5 7/8	5 21/32	1/2
GR400A	4	5 1/8	2 1/4	2	6 1/16	6 1/4	1/2
GR400B	4	5 1/8	2 3/8	2 1/2	6 1/16	6 1/4	1/2
GR400C	4	5 1/8	2 3/8	3	6 1/16	6 1/4	1/2
GR600C	6	7 3/16	2 1/2	3	8 3/16	8 5/16	1/2

DOSSERT®

TYPE GS

Grounding Clamp for 2 Cables to Pipe at 90°

A ground connector for grounding two wires or cables to a ground rod pipe. Designed to accommodate a wide range of conductor sizes.

Material

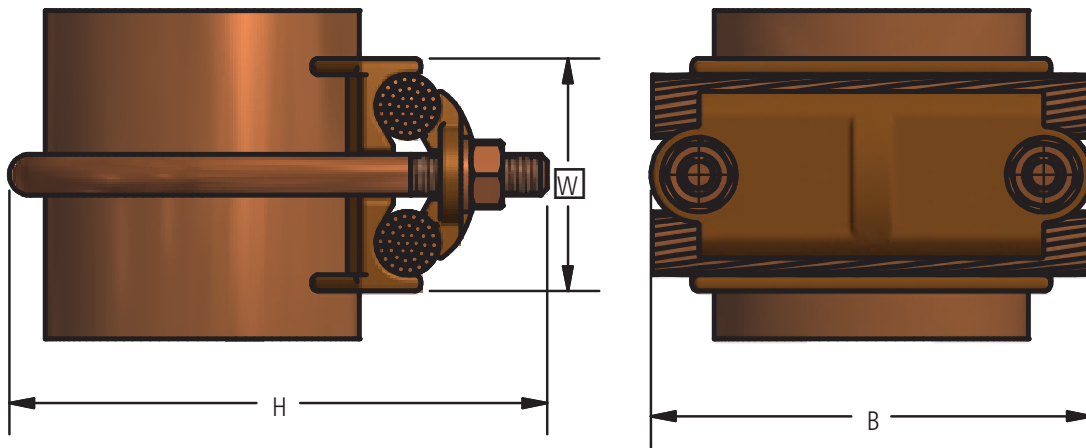
Copper Alloy

Note

For tin plating add suffix "-SN" to catalog number. Example: GS38-25-SN

Hardware

Everdur U-bolts, nuts and lockwashers



Ordering Information

CATALOG NUMBER	GROUNDING		CABLE RANGE		DIMENSIONS IN INCHES			BOLT SIZE
	PIPE SPS	ROD	MIN	MAX	B	H	W	
GS25-4	1/4	1/2	8 Solid	4 Stranded	1 13/16	2 1/8	1 7/16	3/8
GS25-13	1/4	1/2	4 Solid	2/0 Stranded	1 13/16	2 1/4	1 7/8	3/8
GS25-25	1/4	1/2	2/0 Solid	250 MCM	1 13/16	2 7/16	2 3/16	3/8
GS38-4	3/8	5/8 - 3/4	8 Solid	4 Stranded	2	2 5/16	2	3/8
GS38-13	3/8	5/8 - 3/4	4 Solid	2/0 Stranded	2	2 1/2	2	3/8
GS38-25	3/8	5/8 - 3/4	2/0 Solid	250 MCM	2	2 5/8	2	3/8
GS38-50	3/8	5/8 - 3/4	300 MCM	500 MCM	2 3/8	3 3/16	2 3/8	1/2
GS75-4	1/2 - 3/4	7/8 - 1	8 Solid	4 Stranded	2 3/8	2 3/4	1 7/16	3/8
GS75-13	1/2 - 3/4	7/8 - 1	4 Solid	2/0 Stranded	2 3/8	2 15/16	1 7/8	3/8
GS75-25	1/2 - 3/4	7/8 - 1	2/0 Solid	250 MCM	2 3/8	3 1/16	2 3/16	3/8
GS75-50	1/2 - 3/4	-	300 MCM	500 MCM	2 3/4	3 1/2	2 7/8	1/2
GS100-4	1	-	8 Solid	4 Stranded	2 5/8	3 1/16	1 7/16	3/8
GS100-13	1	-	4 Solid	2/0 Stranded	2 5/8	3 3/16	1 7/8	3/8
GS100-25	1	-	2/0 Solid	250 MCM	2 5/8	3 3/8	2 3/16	3/8
GS100-50	1	-	300 MCM	500 MCM	2 5/8	3 15/16	2 7/8	1/2
GS100-75	1	-	500 MCM	750 MCM	3 1/4	4 1/8	3 1/4	1/2
GS150-4	1 1/2	2	8 Solid	4 Stranded	3 3/16	4	1 7/16	3/8
GS150-13	1 1/2	2	4 Solid	2/0 Stranded	3 1/4	4	1 7/8	3/8
GS150-25	1 1/2	2	2/0 Solid	250 MCM	3 1/4	4	2 3/16	3/8
GS150-50	1 1/2	2	300 MCM	500 MCM	3 5/8	4 7/8	2 3/4	1/2
GS200-13	2	-	4 Solid	2/0 Stranded	3 11/16	4 3/8	1 7/8	3/8
GS200-25	2	-	2/0 Solid	250 MCM	3 11/16	4 1/2	2 3/16	3/8
GS250-13	2 1/2	-	4 Solid	2/0 Stranded	4 3/16	4 15/16	1 7/8	3/8
GS250-25	2 1/2	-	2/0 Solid	250 MCM	4 3/16	5 1/16	2 3/16	3/8
GS300-13	3	-	4 Solid	2/0 Stranded	4 13/16	5 7/16	1 7/8	3/8
GS300-25	3	-	2/0 Solid	250 MCM	4 13/16	5 7/16	2 3/16	3/8
GS350-25	3 1/2	-	4 Solid	2/0 Stranded	5 5/16	6 1/16	1 7/8	3/8
GS350-50	3 1/2	-	300 MCM	500 MCM	5 5/16	6 1/16	2 1/4	3/8

DOSSERT®

TYPE GW

Grounding Clamp for 2 Cables to Pipe in Parallel

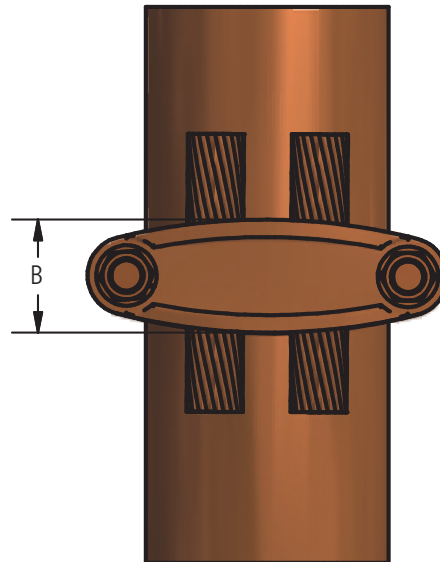
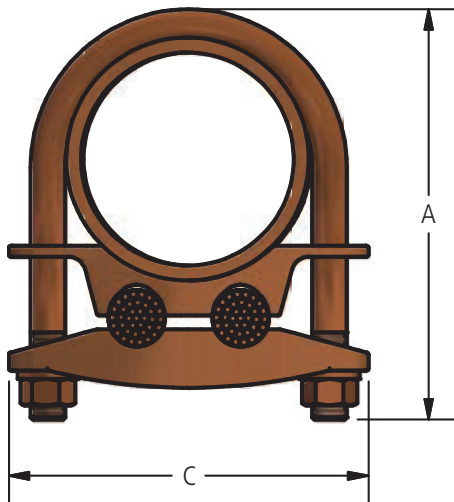
A clamp type grounding connector for grounding two cables to a single rod or pipe. A single cable may be used by looping back on itself. Each connector is designed to accommodate a wide range of conductor sizes. Other sizes than those listed can be promptly furnished.

Material

Copper Alloy

Hardware

Everdur U-bolts, nuts and lockwashers





DOSSERT®

TYPE GW

Grounding Clamp for 2 Cables to Pipe in Parallel

Ordering Information

CATALOG NUMBER	GROUNDING		CABLE RANGE		DIMENSIONS IN INCHES			BOLT SIZE
	PIPE SPS	ROD	MIN	MAX	A	B	C	
GW38-4	3/8	5/8 - 3/4	#8 Solid	#4 Stranded	2 3/8	1 1/8	2 1/16	3/8
GW38-13	3/8	5/8 - 3/4	#4 Solid	2/0 Stranded	2 9/16	1 1/8	2 1/16	3/8
GW38-25	3/8	5/8 - 3/4	2/0 Solid	250 MCM	2 3/4	1 1/8	2 1/16	3/8
GW75-4	3/4	7/8 - 1	#8 Solid	#4 Stranded	2 5/8	1 1/8	2 3/8	3/8
GW75-13	3/4	7/8 - 1	#4 Solid	2/0 Stranded	2 3/4	1 1/8	2 3/8	3/8
GW75-25	3/4	7/8 - 1	2/0 Solid	250 MCM	2 7/8	1 1/8	2 3/8	3/8
GW75-50	3/4	7/8 - 1	300 MCM	500 MCM	4 1/8	1 9/16	3 5/8	3/8
GW100-4	1	1 1/8 - 1 1/4	#8 Solid	#4 Stranded	2 15/16	1 1/8	2 5/8	3/8
GW100-13	1	1 1/8 - 1 1/4	#4 Solid	2/0 Stranded	3	1 1/8	2 5/8	3/8
GW100-25	1	1 1/8 - 1 1/4	2/0 Solid	250 MCM	3 5/16	1 1/8	2 5/8	3/8
GW100-50	1	1 1/8 - 1 1/4	300 MCM	500 MCM	4 1/8	1 9/16	3 5/8	1/2
GW125-4	1 1/4	1 3/8 - 1 5/8	#8 Solid	#4 Stranded	3 3/16	1 3/8	3	3/8
GW125-13	1 1/4	1 3/8 - 1 5/8	#4 Solid	2/0 Stranded	3 5/16	1 3/8	3	3/8
GW125-25	1 1/4	1 3/8 - 1 5/8	2/0 Solid	250 MCM	3 5/8	1 7/16	3	3/8
GW125-50	1 1/4	1 3/8 - 1 5/8	300 MCM	500 MCM	4 1/2	1 9/16	4	1/2
GW150-4	1 1/2	1 3/4 - 2	#8 Solid	#4 Stranded	3 1/2	1 3/8	3 1/4	3/8
GW150-13	1 1/2	1 3/4 - 2	#4 Solid	2/0 Stranded	3 11/16	1 3/8	3 1/4	3/8
GW150-25	1 1/2	1 3/4 - 2	2/0 Solid	250 MCM	3 3/4	1 7/16	3 1/4	3/8
GW150-50	1 1/2	1 3/4 - 2	300 MCM	500 MCM	4 7/16	1 9/16	3 5/8	1/2
GW200-4	2	2 - 2 3/8	#8 Solid	#4 Stranded	4	1 3/8	3 11/16	3/8
GW200-13	2	2 - 2 3/8	#4 Solid	2/0 Stranded	4 3/8	1 3/8	3 11/16	3/8
GW200-25	2	2 - 2 3/8	2/0 Solid	250 MCM	4 1/2	1 1/2	3 11/16	3/8
GW200-50	2	2 - 2 3/8	300 MCM	500 MCM	4 7/8	1 9/16	4 1/16	1/2
GW250-4	2 1/2	2 5/8 - 2 7/8	#8 Solid	#4 Stranded	4 1/2	1 3/8	4 3/16	3/8
GW250-13	2 1/2	2 5/8 - 2 7/8	#4 Solid	2/0 Stranded	4 13/16	1 3/8	4 3/16	3/8
GW250-25	2 1/2	2 5/8 - 2 7/8	2/0 Solid	250 MCM	4 15/16	1 1/2	4 3/16	3/8
GW250-50	2 1/2	2 5/8 - 2 7/8	300 MCM	500 MCM	5 1/4	1 9/16	4 9/16	1/2
GW250-75	2 1/2	2 5/8 - 2 7/8	500 MCM	750 MCM	5 7/8	1 5/8	4 15/16	5/8
GW300-4	3	3 1/4 - 3 1/2	#8 Solid	#4 Stranded	5 1/8	1 3/8	4 13/16	3/8
GW300-13	3	3 1/4 - 3 1/2	#4 Solid	2/0 Stranded	5 7/16	1 3/8	4 13/16	3/8
GW300-25	3	3 1/4 - 3 1/2	2/0 Solid	250 MCM	5 9/16	1 3/8	4 13/16	3/8
GW300-50	3	3 1/4 - 3 1/2	300 MCM	500 MCM	5 7/8	1 9/16	5 3/16	1/2
GW300-75	3	3 1/4 - 3 1/2	500 MCM	750 MCM	6 1/2	1 5/8	5 9/16	5/8
GW300-100	3	3 1/4 - 3 1/2	750 MCM	1000 MCM	6 5/8	1 3/4	5 9/16	5/8
GW350-4	3 1/2	3 3/4 - 4	#8 Solid	#4 Stranded	5 5/8	1 1/2	5 5/16	3/8
GW350-13	3 1/2	3 3/4 - 4	#4 Solid	2/0 Stranded	5 5/16	1 1/2	5 5/16	3/8
GW350-25	3 1/2	3 3/4 - 4	2/0 Solid	250 MCM	6 1/16	1 1/2	5 5/16	3/8
GW350-50	3 1/2	3 3/4 - 4	300 MCM	500 MCM	6 3/8	1 9/16	5 11/16	1/2
GW350-75	3 1/2	3 3/4 - 4	500 MCM	750 MCM	7	1 5/8	6 11/16	5/8
GW350-100	3 1/2	3 3/4 - 4	750 MCM	1000 MCM	7 1/8	1 3/4	6 11/16	5/8
GW400-4	4	4 1/4 - 4 1/2	#8 Solid	#4 Stranded	6 1/8	1 5/8	5 13/16	3/8
GW400-13	4	4 1/4 - 4 1/2	#4 Solid	2/0 Stranded	6 3/16	1 5/8	5 13/16	3/8
GW400-25	4	4 1/4 - 4 1/2	2/0 Solid	250 MCM	6 1/2	1 5/8	5 13/16	3/8
GW400-50	4	4 1/4 - 4 1/2	300 MCM	500 MCM	6 7/8	1 5/8	6 3/16	1/2
GW400-75	4	4 1/4 - 4 1/2	500 MCM	750 MCM	7 1/2	1 5/8	6 9/16	5/8
GW400-100	4	4 1/4 - 4 1/2	750 MCM	1000 MCM	7 5/8	1 3/4	6 9/16	5/8
GW600-4	6	-	#8 Solid	#4 Stranded	8 3/8	1 1/2	7 15/16	3/8
GW600-25	6	-	2/0 Solid	250 MCM	8 5/8	1 5/8	7 15/16	3/8

Bronze Grounding Connectors and Everdur Hardware

DOSSERT®

TYPE GX

Grounding Connector For Direct Contact Cross Conductors

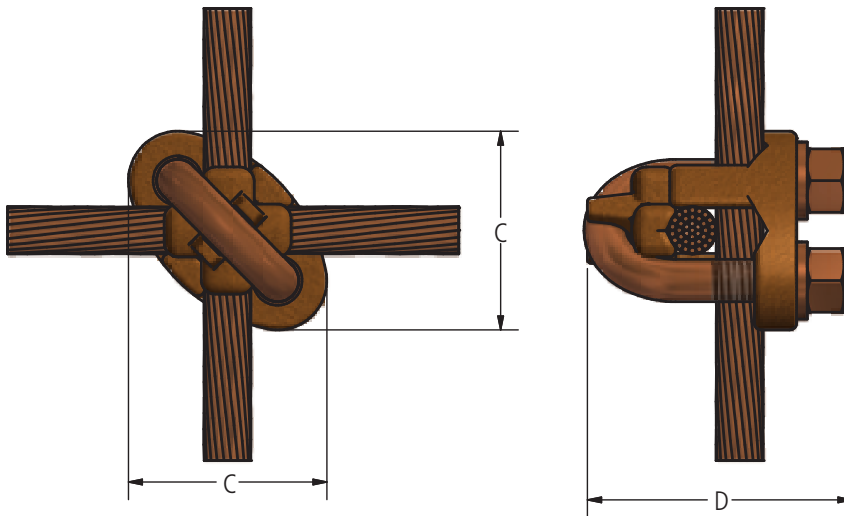
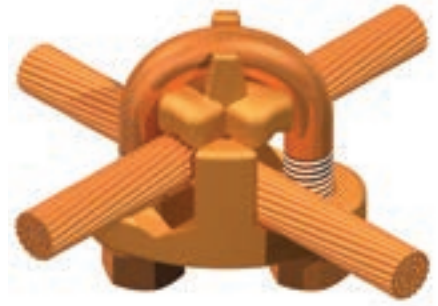
A grounding connector for direct contact cross grounding wire or cable. Each clamp accommodates two conductors of the minimum or maximum size or any intermediate combination of conductors.

Material

Copper Alloy

Hardware

Everdur U-bolts, nuts and lockwashers



Ordering Information

CATALOG NUMBER	CABLE RANGE		DIMENSIONS IN INCHES		BOLT SIZE
	MIN	MAX	C	D	
GX13-13	6 Str	2/0 Str	1 3/4	1 11/16	3/8
GX21-21	1 Str	4/0 Str	1 7/8	2 1/4	3/8
GX30-30	1/0 Str	300 MCM	2 5/16	2 3/4	1/2
GX50-50	300 MCM	500 MCM	2 1/2	3 3/16	1/2
GX80-80	500 MCM	800 MCM	2 3/4	3 9/16	1/2
GX100-100	750 MCM	1000 MCM	3 1/4	4 1/4	5/8

DOSSERT®

TYPE GZ

Grounding Clamp for 3 Cables to Pipe in Parallel

A triple conductor grounding clamp for grounding three wires or cables to the same ground rod or pipe. The high range of variability permits use of a number of conductor sizes for one connector. The high corrosion resistance of the connector permits the entire assembly to be covered with earth after installation is made.

Material

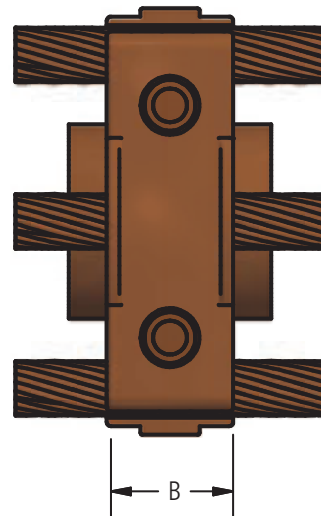
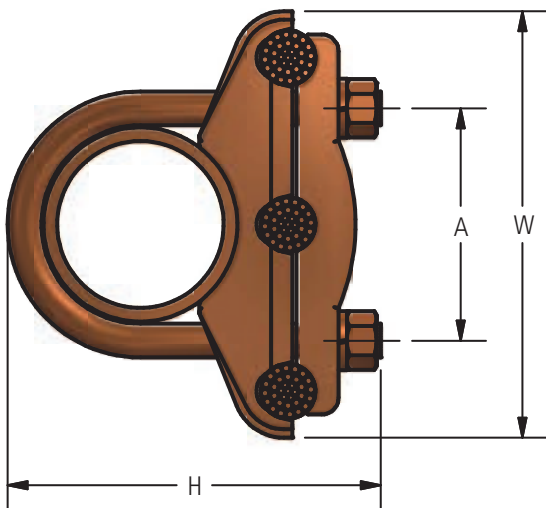
Copper Alloy

Hardware

Everdur U-bolts, nuts and lockwashers

Notes

- For tin plating, add suffix "-SN" to catalog number. EX: GZ125-50-SN
- For stainless steel bolts, lockwashers and Everdur nuts, add suffix "-SSHBN" to catalog number. EX: GZ125-50-SSHBN
- All sizes are not shown. Please contact the factory.





DOSSERT®

TYPE GZ

Grounding Clamp for 3 Cables to Pipe in Parallel

Ordering Information

CATALOG NUMBER	GROUNDING		CONDUCTOR RANGE		DIMENSIONS IN INCHES				BOLT SIZE
	PIPE SPS	ROD	MIN	MAX	A	B	H	W	
GZ25-4	1/4	1/2	8 Solid	#4 Stranded	1	1 1/2	2 1/16	2 1/4	3/8
GZ25-13	1/4	1/2	4 Solid	2/0 Stranded	1	1 1/2	2 5/16	2 3/4	3/8
GZ25-25	1/4	1/2	2/0 Solid	250 MCM	1 1/8	1 1/2	2 11/16	3 3/16	1/2
GZ38-4	3/8	5/8 or 3/4	8 Solid	#4 Stranded	1 3/16	1 1/2	2 5/8	2 3/4	3/8
GZ38-13	3/8	5/8 or 3/4	4 Solid	2/0 Stranded	1 3/16	1 1/2	2 7/8	3 3/16	3/8
GZ38-25	3/8	5/8 or 3/4	2/0 Solid	250 MCM	1 5/16	1 1/2	3 3/16	3 3/4	1/2
GZ38-50	3/8	5/8 or 3/4	300 MCM	500 MCM	1 5/16	1 5/8	3 7/16	4 3/16	1/2
GZ75-4	1/2 or 3/4	7/8 or 1	8 Solid	#4 Stranded	1 1/2	1 1/2	2 5/8	2 3/4	3/8
GZ75-13	1/2 or 3/4	7/8 or 1	4 Solid	2/0 Stranded	1 1/2	1 1/2	2 7/8	3 3/16	3/8
GZ75-25	1/2 or 3/4	7/8 or 1	2/0 Solid	250 MCM	1 5/8	1 1/2	3 3/16	3 3/4	1/2
GZ75-50	1/2 or 3/4	7/8 or 1	300 MCM	500 MCM	1 5/8	1 5/8	3 7/16	4 3/16	1/2
GZ100-4	1	1 1/8 - 1 1/4	8 Solid	#4 Stranded	1 3/4	1 1/2	2 13/16	2 15/16	3/8
GZ100-13	1	1 1/8 - 1 1/4	4 Solid	2/0 Stranded	1 3/4	1 1/2	3	2 15/16	3/8
GZ100-25	1	1 1/8 - 1 1/4	2/0 Solid	250 MCM	1 7/8	1 1/2	3 7/16	4	1/2
GZ100-50	1	1 1/8 - 1 1/4	300 MCM	500 MCM	1 7/8	1 7/8	3 11/16	4 7/16	1/2
GZ125-4	1 1/4	1 3/8 - 1 5/8	8 Solid	#4 Stranded	2 1/8	1 1/2	3 1/4	3 15/16	3/8
GZ125-13	1 1/4	1 3/8 - 1 5/8	4 Solid	2/0 Stranded	2 1/8	1 1/2	3 7/16	3 3/4	3/8
GZ125-25	1 1/4	1 3/8 - 1 5/8	2/0 Solid	250 MCM	2 1/4	1 1/2	3 13/16	4 3/8	1/2
GZ125-50	1 1/4	1 3/8 - 1 5/8	300 MCM	500 MCM	2 1/4	1 7/8	4 1/8	4 13/16	1/2
GZ150-4	1 1/2	1 5/8 - 1 7/8	8 Solid	#4 Stranded	2 3/8	1 1/2	3 1/2	3 5/8	3/8
GZ150-13	1 1/2	1 5/8 - 1 7/8	4 Solid	2/0 Stranded	2 3/8	1 1/2	3 11/16	4 1/16	3/8
GZ150-25	1 1/2	1 5/8 - 1 7/8	2/0 Solid	250 MCM	2 1/2	1 1/2	4 1/8	4 11/16	1/2
GZ150-50	1 1/2	1 5/8 - 1 7/8	300 MCM	500 MCM	2 1/2	1 7/8	4 3/8	5 1/8	1/2
GZ200-4	2	2 - 2 1/2	8 Solid	#4 Stranded	2 13/16	1 1/2	4 1/16	4 1/16	3/8
GZ200-13	2	2 - 2 1/2	4 Solid	2/0 Stranded	2 13/16	1 1/2	4 5/16	4 1/2	3/8
GZ200-25	2	2 - 2 1/2	2/0 Solid	250 MCM	2 15/16	1 1/2	4 11/16	5 1/8	1/2
GZ200-50	2	2 - 2 1/2	300 MCM	500 MCM	2 15/16	1 7/8	4 15/16	5 9/16	1/2
GZ250-4	2 1/2	2 5/8 - 2 7/8	8 Solid	#4 Stranded	3 5/16	1 1/2	4 3/4	4 9/16	3/8
GZ250-13	2 1/2	2 5/8 - 2 7/8	4 Solid	2/0 Stranded	3 5/16	1 1/2	5	5	3/8
GZ250-25	2 1/2	2 5/8 - 2 7/8	2/0 Solid	250 MCM	3 7/16	1 1/2	5 3/8	5 5/8	1/2
GZ250-50	2 1/2	2 5/8 - 2 7/8	300 MCM	500 MCM	3 7/16	1 7/8	5 5/8	6 1/16	1/2
GZ300-4	3	3 1/4 - 3 1/2	8 Solid	#4 Stranded	4	1 1/2	5 3/8	5 3/16	3/8
GZ300-13	3	3 1/4 - 3 1/2	4 Solid	2/0 Stranded	4	1 1/2	5 3/8	5 5/8	3/8
GZ300-25	3	3 1/4 - 3 1/2	2/0 Solid	250 MCM	4 1/8	1 1/2	6	6 1/4	1/2
GZ300-50	3	3 1/4 - 3 1/2	300 MCM	500 MCM	4 1/8	1 7/8	6 1/4	6 11/16	1/2
GZ300-75	3	3 1/4 - 3 1/2	500 MCM	750 MCM	4 1/4	2 1/4	6 1/2	7 3/16	5/8
GZ350-13	3 1/2	3 3/4 - 4	4 Solid	2/0 Stranded	4 7/16	1 1/2	5 13/16	6	3/8
GZ400-13	4	4 1/4 - 4 1/2	4 Solid	2/0 Stranded	-	-	-	-	3/8
GZ400-25	4	4 1/4 - 4 1/2	2/0 Solid	250 MCM	-	-	-	-	1/2
GZ400-50	4	4 1/4 - 4 1/2	300 MCM	500 MCM	-	-	-	-	1/2

DOSSERT®

Type MTRC, MTR2C, and MTR3C

Multiple Tie Transformer Connector

A multiple tie transformer connector which provides a convenient means of connecting a number of cables to a single transformer terminal. Allows maximum conductor sizes to be run directly to the transformer, thereby minimizing voltage drop.

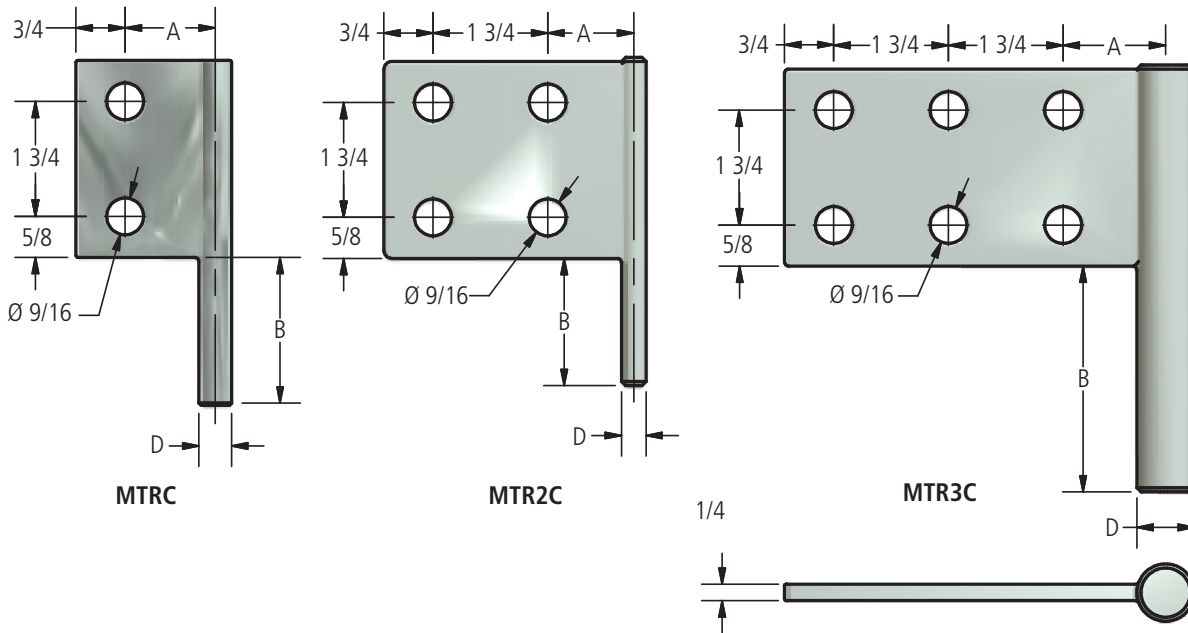


Material

Tin plated copper

Hardware

- MTR2C: Four hole NEMA standard drilled contact.
- MTR3C: Six hole NEMA standard drilled contact.



Ordering Information

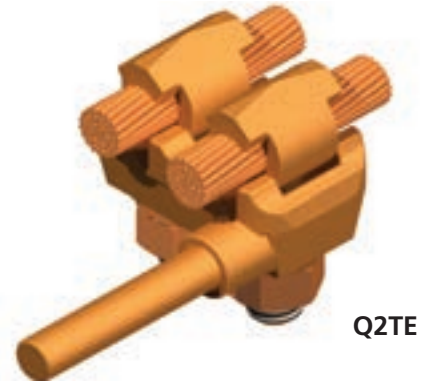
CATALOG NUMBER			DIMENSIONS IN INCHES		
MTRC	MTR2C	MTR3C	A	B	D
MTRC-38	MTR2C-38	MTR3C-38	1 3/8	2	3/8
MTRC-56	MTR2C-56	MTR3C-56	1 1/2	2 1/4	9/16
MTRC-75	MTR2C-75	MTR3C-75	1 9/16	2 3/4	3/4
MTRC-88	MTR2C-88	MTR3C-88	1 5/8	3 1/2	7/8
MTRC-112	MTR2C-112	MTR3C-112	1 3/4	4	1 1/8

DOSSERT®

TYPE Q2TE, Q3TE, Q4TE

Cast Copper multiple tee connector for securing a number of cables to a single transformer terminal.

A cast type multiple tee connector for securing a number of cables to a single transformer terminal. Each cable clamping position is designed to receive a wide range of conductor sizes. Installation of each cable is simply accomplished by insertion of cable into eyebolt member and tightening nut with a single wrench. Body is of high conductivity copper alloy and eyebolt elements are of high strength bronze with silicon bronze nuts and lockwashers.



Material

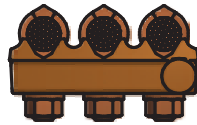
Copper Alloy

Hardware

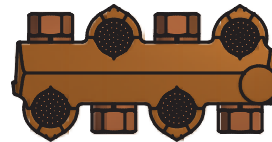
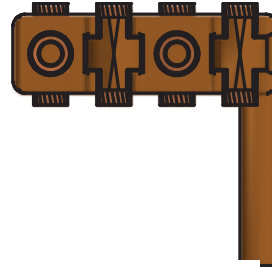
Everdur nut and lockwashers.



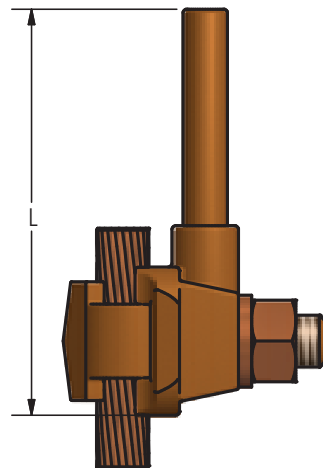
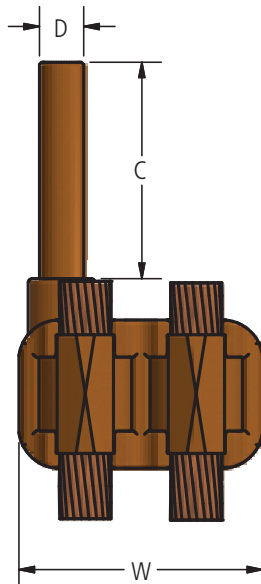
Q2TE



Q3TE



Q4TE



DOSSERT®

TYPE Q2TE, Q3TE, Q4TE

Cast Copper multiple tee connector for securing a number of cables to a single transformer terminal.

Ordering Information

CATALOG NUMBER	CABLE RANGE	DIMENSIONS IN INCHES			
		C	D	L	W
Q2TE-13	8 Solid- 2/0 Stranded	2	3/8	3 5/8	2 1/8
Q3TE-13	8 Solid- 2/0 Stranded	2	3/8	3 5/8	3 1/4
Q4TE-13	8 Solid- 2/0 Stranded	2	3/8	3 5/8	3 3/4
Q2TE-25	6 Solid- 250 kcmil	2 1/4	9/16	4 1/8	2 5/8
Q3TE-25	6 Solid- 250 kcmil	2 1/4	9/16	4 1/8	3 7/8
Q4TE-25	6 Solid- 250 kcmil	2 1/4	9/16	4 1/8	4 1/2
Q2TE-35	2 Solid- 350 kcmil	2 3/4	3/4	4 1/2	2 3/4
Q3TE-35	2 Solid- 350 kcmil	2 3/4	3/4	4 1/2	4 1/8
Q4TE-35	2 Solid- 350 kcmil	2 3/4	3/4	4 1/2	4 7/8
Q2TE-50	1/0 Solid- 500 kcmil	3 1/2	7/8	5 3/4	3 1/8
Q3TE-50	1/0 Solid- 500 kcmil	3 1/2	7/8	5 3/4	4 7/8
Q4TE-50	1/0 Solid- 500 kcmil	3 1/2	7/8	5 3/4	5 7/8
Q2TE-100	2/0 Solid- 1000 kcmil	4	1 1/8	6 3/8	4
Q3TE-100	2/0 Solid- 1000 kcmil	4	1 1/8	6 3/8	5 7/8
Q4TE-100	2/0 Solid- 1000 kcmil	4	1 1/8	6 3/8	7 5/8

DOSSERT®

TYPE Q2TS, Q3TS, Q4TS

Cast Copper multiple tee connector for securing a number of cables to a single transformer terminal.

A cast type multiple tee connector for securing a number of cables to a single transformer terminal. Each cable clamping position is designed to receive a wide range of conductor sizes. Installation of each cable is simply accomplished by insertion of cable into eyebolt member and tightening nut with a single wrench. Body is of high conductivity copper alloy and eyebolt elements are of high strength bronze with silicon bronze nuts and lockwashers.



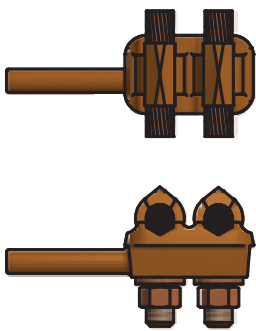
Q2TS

Material

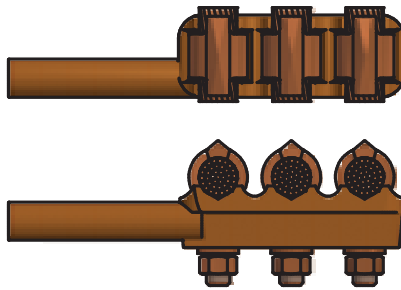
Copper Alloy

Hardware

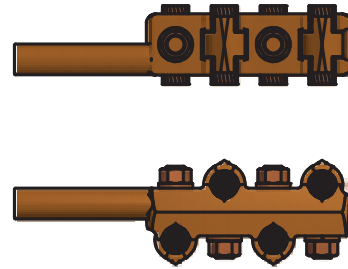
Everdur nut and lockwashers.



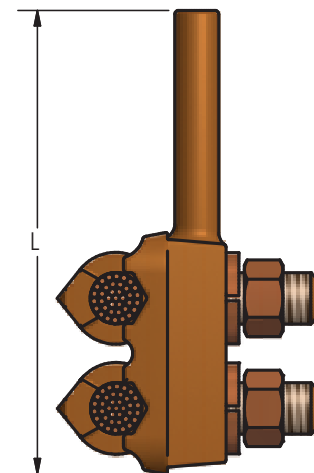
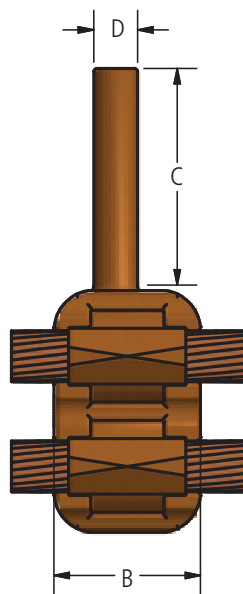
Q2TS



Q3TS



Q4TS





DOSSERT®

TYPE Q2TS, Q3TS, Q4TS

Cast Copper multiple tee connector for securing a number of cables to a single transformer terminal.

Ordering Information

CATALOG NUMBER	CABLE RANGE	DIMENSIONS IN INCHES			
		B	C	D	L
Q2TS-13	8 Solid- 2/0 Stranded	1 1/2	2	3/8	4 3/8
Q3TS-13	8 Solid- 2/0 Stranded	1 1/2	2	3/8	5 1/4
Q4TS-13	8 Solid- 2/0 Stranded	1 1/2	2	3/8	6 1/8
Q2TS-25	6 Solid- 250 kcmil	1 5/8	2 1/4	9/16	5
Q3TS-25	6 Solid- 250 kcmil	1 5/8	2 1/4	9/16	6 3/8
Q4TS-25	6 Solid- 250 kcmil	1 5/8	2 1/4	9/16	7 1/8
Q2TS-35	2 Solid- 350 kcmil	1 11/16	2 3/4	3/4	5
Q3TS-35	2 Solid- 350 kcmil	1 11/16	2 3/4	3/4	6 3/8
Q4TS-35	2 Solid- 350 kcmil	1 11/16	2 3/4	3/4	7 1/8
Q2TS-50	1/0 Solid- 500 kcmil	1 3/4	4	7/8	7 1/4
Q3TS-50	1/0 Solid- 500 kcmil	2 1/8	3 1/2	7/8	8 1/2
Q4TS-50	1/0 Solid- 500 kcmil	2 1/8	3 1/2	7/8	9 1/8
Q2TS-100	2/0 Solid- 1000 kcmil	2 1/4	4	1 1/8	8 1/8
Q3TS-100	2/0 Solid- 1000 kcmil	2 1/4	4	1 1/8	10 1/8
Q4TS-100	2/0 Solid- 1000 kcmil	2 1/4	4	1 1/8	11 7/8

DOSSERT®

TYPE TGC

Grounding Connector For Cable To Transformer Ground Pad

This connector is designed for transformer grounding pads. Connector stud possesses a slight taper to insure sound electrical contact without need for locking devices. Designed specifically for use on all standard EE-1-NEMA distribution transformers.

Material

Copper Alloy

Hardware

Everdur nuts and lockwashers

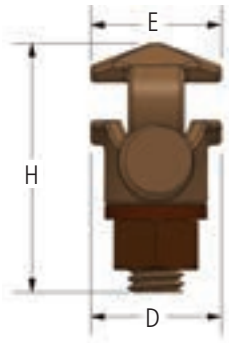


FIG. 1

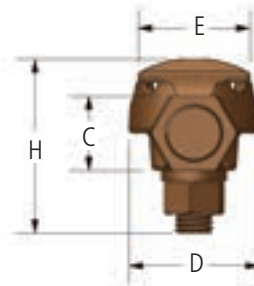
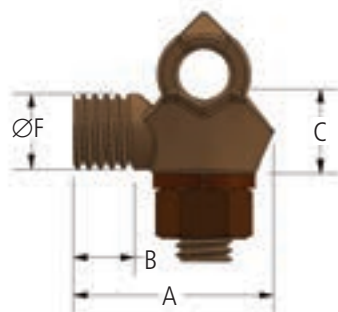
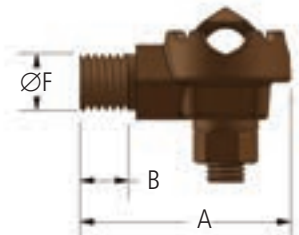


FIG. 2



Ordering Information

CATALOG NO.	FIG. NO.	ACSR RANGE		DIMENSIONS IN INCHES							BOLT SIZE
		MIN	MAX	A	B	C	D	E	F	H	
TGC8-50	1	#10 SOL	#1 STR	1 3/8	11/32	9/16	7/8	7/8	1/2"-13	1 5/8	3/8
TGC13-50P	2	#8 SOL	2/0 STR	2 11/16	3/8	3/4	1 13/64	1 1/8	1/2"-13	1 4/5	3/8
TGC25-50	2	#6 STR	250 MCM	2 3/8	3/8	3/4	1 9/16	1 1/2	1/2"-13	2 11/32	1/2
TGC25-75	2	#6 STR	250 MCM	2 13/16	21/32	1	1 3/4	1 1/2	3/4"-10	2 11/32	1/2

DOSSERT®

TYPE HSC, HS2C, HS3C

Copper Stud Connector for Cable or Wire. HSC connects one conductor to a stud, HS2C connects two conductors to a stud, and HS3C connects three conductors to a stud.

A HERCULON™ variable type connector for joining a cable or a wire to a threaded stud. The stud end of the connector can also be furnished to accommodate a plain stud or pipe.

Material

Copper Alloy

Hardware

Everdur bolts, nuts and lockwashers

Notes

- Other sizes of studs and various threads to the inch can be promptly furnished.
- For two 500 MCM cables to a .75" T16 stud order HS2C75-50-T16
- For three 500 MCM cables to a .75" T16 stud order HS3C75-50-T16
- For two 500 MCM cables to a .75" T0 stud order HS2C75-50-T0



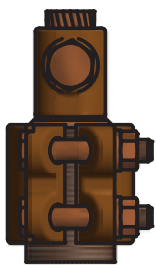
HSC



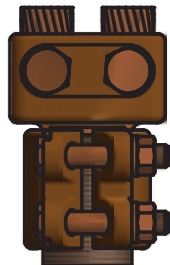
HS2C



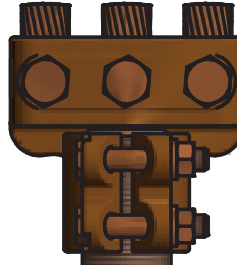
HS3C



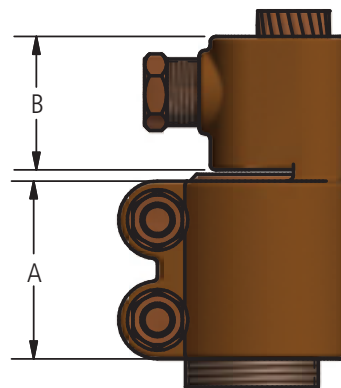
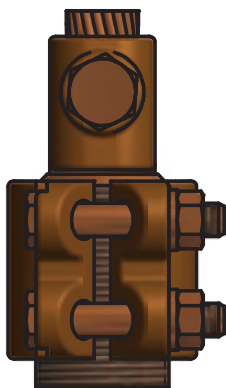
HSC



HS2C



HS3C



DOSSERT®

TYPE HSC, HS2C, HS3C

Copper Stud Connector for Cable or Wire. HSC connects one conductor to a stud, HS2C connects two conductors to a stud, and HS3C connects three conductors to a stud.

Ordering Information

CATALOG NUMBER			STUD DIA	THREADS PER INCH	CABLE RANGE		DIMENSIONS IN INCHES		BOLT SIZE
HSC	HS2C	HS3C			MIN	MAX	A	B	
HSC50-4-T13	HS2C50-4-T13	HS3C50-4-T13	1/2	13	8 Solid	4 Stranded	2	5/8	3/8
HSC50-8-T13	HS2C50-8-T13	HS3C50-8-T13	1/2	13	4 Solid	1 Stranded	2	7/8	3/8
HSC50-13-T13	HS2C50-13-T13	HS3C50-13-T13	1/2	13	1 Stranded	2/0 Stranded	2	1	3/8
HSC50-21-T13	HS2C50-21-T13	HS3C50-21-T13	1/2	13	2/0 Stranded	4/0 Stranded	2	1 1/8	3/8
HSC63-13-T18	HS2C63-13-T18	HS3C63-13-T18	5/8	18	1 Stranded	2/0 Stranded	2	1	3/8
HSC63-21-T18	HS2C63-21-T18	HS3C63-21-T18	5/8	18	2/0 Stranded	4/0 Stranded	2	1 1/8	3/8
HSC63-30-T18	HS2C63-30-T18	HS3C63-30-T18	5/8	18	4/0 Stranded	300 MCM	2	1 9/32	3/8
HSC75-13-T16	HS2C75-13-T16	HS3C75-13-T16	3/4	16	1 Stranded	2/0 Stranded	2	1	3/8
HSC75-21-T16	HS2C75-21-T16	HS3C75-21-T16	3/4	16	2/0 Stranded	4/0 Stranded	2	1 1/8	3/8
HSC75-30-T16	HS2C75-30-T16	HS3C75-30-T16	3/4	16	4/0 Stranded	300 MCM	2	1 9/32	3/8
HSC75-50-T16	HS2C75-50-T16	HS3C75-50-T16	3/4	16	300 MCM	500 MCM	2	1 1/2	3/8
HSC100-13-T14	HS2C100-13-T14	HS3C100-13-T14	1	14	1 Stranded	2/0 Stranded	2	1	3/8
HSC100-21-T14	HS2C100-21-T14	HS3C100-21-T14	1	14	2/0 Stranded	4/0 Stranded	2	1 1/8	3/8
HSC100-30-T14	HS2C100-30-T14	HS3C100-30-T14	1	14	4/0 Stranded	300 MCM	2	1 9/32	3/8
HSC100-50-T14	HS2C100-50-T14	HS3C100-50-T14	1	14	300 MCM	500 MCM	2	1 1/2	3/8
HSC100-75-T14	HS2C100-75-T14	HS3C100-75-T14	1	14	500 MCM	750 MCM	2	1 5/8	3/8
HSC125-21-T12	HS2C125-21-T12	HS3C125-21-T12	1 1/4	12	2/0 Stranded	4/0 Stranded	2	1 1/8	3/8
HSC125-30-T12	HS2C125-30-T12	HS3C125-30-T12	1 1/4	12	4/0 Stranded	300 MCM	2	1 9/32	3/8
HSC125-50-T12	HS2C125-50-T12	HS3C125-50-T12	1 1/4	12	300 MCM	500 MCM	2	1 1/2	3/8
HSC125-75-T12	HS2C125-75-T12	HS3C125-75-T12	1 1/4	12	500 MCM	750 MCM	2	1 5/8	3/8
HSC125-100-T12	HS2C125-100-T12	HS3C125-100-T12	1 1/4	12	750 MCM	1000 MCM	2 3/4	1 15/16	1/2
HSC150-30-T12	HS2C150-30-T12	HS3C150-30-T12	1 1/2	12	4/0 Stranded	300 MCM	2	1 9/32	3/8
HSC150-50-T12	HS2C150-50-T12	HS3C150-50-T12	1 1/2	12	300 MCM	500 MCM	2	1 1/2	3/8
HSC150-75-T12	HS2C150-75-T12	HS3C150-75-T12	1 1/2	12	500 MCM	750 MCM	2	1 5/8	3/8
HSC150-100-T12	HS2C150-100-T12	HS3C150-100-T12	1 1/2	12	750 MCM	1000 MCM	2 3/4	1 15/16	1/2

DOSSERT®

TYPE HSC-90

Copper Stud Connector for Cable or Wire

A HERCULON™ variable type connector for joining a cable or a wire to a threaded stud. The stud end of the connector can also be furnished to accommodate a plain stud or pipe.



Material

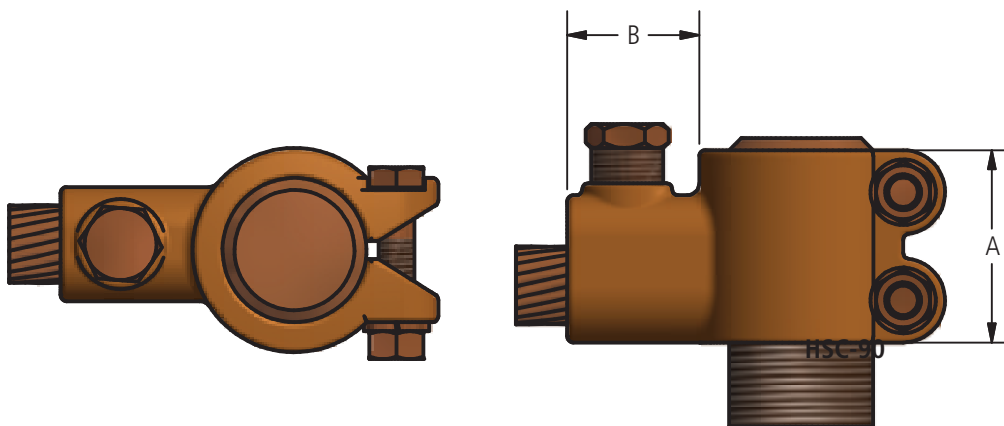
Cast Copper Alloy

Hardware

Everdur bolts, nuts and lockwashers

Notes

- Other sizes of studs and various threads to the inch can be promptly furnished.
- For a 500 MCM cables to a .75" T16 stud at 90° order HSC75-50-90-T16
- For a 500 MCM cable to a .75" T0 stud at 90° order HSC75-50-90-T0



Ordering Information

CATALOG NUMBER	STUD DIA	THREADS PER INCH	CABLE RANGE		DIMENSIONS IN INCHES		BOLT SIZE
			MIN	MAX	A	B	
HSC50-4-90-T13	1/2	13	8 Solid	4 Stranded	2	5/8	3/8
HSC50-8-90-T13	1/2	13	4 Solid	1 Stranded	2	7/8	3/8
HSC50-13-90-T13	1/2	13	1 Stranded	2/0 Stranded	2	1	3/8
HSC50-21-90-T13	1/2	13	2/0 Stranded	4/0 Stranded	2	1 1/8	3/8
HSC63-13-90-T18	5/8	18	1 Stranded	2/0 Stranded	2	1	3/8
HSC63-21-90-T18	5/8	18	2/0 Stranded	4/0 Stranded	2	1 1/8	3/8
HSC63-30-90-T18	5/8	18	4/0 Stranded	300 MCM	2	1 9/32	3/8
HSC75-13-90-T16	3/4	16	1 Stranded	2/0 Stranded	2	1	3/8
HSC75-21-90-T16	3/4	16	2/0 Stranded	4/0 Stranded	2	1 1/8	3/8
HSC75-30-90-T16	3/4	16	4/0 Stranded	300 MCM	2	1 9/32	3/8
HSC75-50-90-T16	3/4	16	300 MCM	500 MCM	2	1 1/2	3/8
HSC100-13-90-T14	1	14	1 Stranded	2/0 Stranded	2	1	3/8
HSC100-21-90-T14	1	14	2/0 Stranded	4/0 Stranded	2	1 1/8	3/8
HSC100-30-90-T14	1	14	4/0 Stranded	300 MCM	2	1 9/32	3/8
HSC100-50-90-T14	1	14	300 MCM	500 MCM	2	1 1/2	3/8
HSC100-75-90-T14	1	14	500 MCM	750 MCM	2	1 5/8	3/8
HSC125-21-90-T12	1 1/4	12	2/0 Stranded	4/0 Stranded	2	1 1/8	3/8
HSC125-30-90-T12	1 1/4	12	4/0 Stranded	300 MCM	2	1 9/32	3/8
HSC125-50-90-T12	1 1/4	12	300 MCM	500 MCM	2	1 1/2	3/8
HSC125-75-90-T12	1 1/4	12	500 MCM	750 MCM	2	1 5/8	3/8
HSC125-100-90-T12	1 1/4	12	750 MCM	1000 MCM	2 3/4	1 15/16	1/2
HSC150-30-90-T12	1 1/2	12	4/0 Stranded	300 MCM	2	1 9/32	3/8
HSC150-50-90-T12	1 1/2	12	300 MCM	500 MCM	2	1 1/2	3/8
HSC150-75-90-T12	1 1/2	12	500 MCM	750 MCM	2	1 5/8	3/8
HSC150-100-90-T12	1 1/2	12	750 MCM	1000 MCM	2 3/4	1 15/16	1/2

DOSSERT®

TYPE NP, NF Copper Contact Nuts

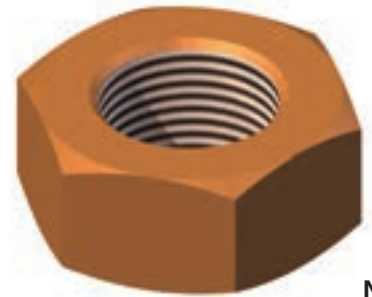
Contact nuts for clamping flat bus bars or terminal pads to threaded studs. For greater contact surface flange nuts, Type NF, provide additional area. Designed to conduct the full rated load of the stud. Large face areas offer a high electrical contact efficiency. All nuts are machined to a high percent full thread to effect maximum thread bearing area.

Material

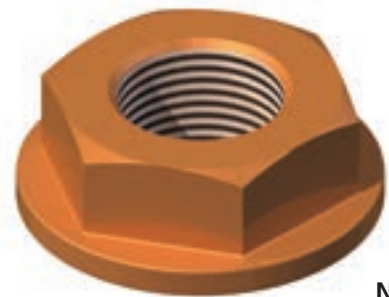
Copper Alloy

Note

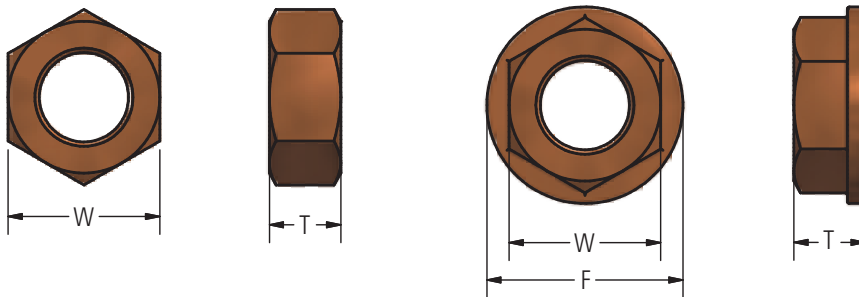
- Other numbers of threads per inch can be furnished for any given stud diameter upon specification.



NP



NF



TYPE NP

TYPE NF

Ordering Information

CATALOG NUMBER		STUD DIAMETER	THREADS PER INCH	DIMENSIONS IN INCHES		
NP	NF			F	T	W
NP31	NF31	5/16	18	3/4	1/4	5/8
NP38	NF38	3/8	16	7/8	5/16	3/4
NP50	NF50	1/2	13	1 1/8	3/8	7/8
NP62	NF62	5/8	18	1 3/8	1/2	1 1/16
NP75	NF75	3/4	16	1 5/8	5/8	1 1/4
NP87	NF87	7/8	14	1 13/16	11/16	1 3/8
NP100	NF100	1	14	1 15/16	3/4	1 1/2
NP112	NF112	1 1/8	12	2 1/4	13/16	1 3/4
NP125	NF125	1 1/4	12	2 1/2	7/8	2
NP150	NF150	1 1/2	12	2 15/16	15/16	2 3/8
NP175	NF175	1 3/4	12	2 3/8	1	2 11/16
NP200	NF200	2	12	3 3/4	1 1/8	3
NP250	NF250	2 1/2	12	4 9/26	1 1/4	3 11/16
NP300	NF300	3	12	5 3/8	1 1/2	4 5/16
NP350	NF350	3 1/2	12	6 1/4	1 3/4	5
NP400	NF400	4	12	6 3/4	2	5 1/2

DOSSERT®

TYPE SCX, S2CX

Copper Stud Connector for Cable

SCX connects one cable to one stud and S2CX connects two cables on one stud. A variable conductor stud connector which takes a wide range of cable sizes in line or in a 90° position. The reversible cap permits optimum clamping for all cable sizes within the assigned ranges. In addition, one flat surface on SCX can be machined to accommodate flat bar conductors. SCX can be furnished upon request in type SCX-N with bolt holes to accommodate NEMA standard bar drilling.

Material

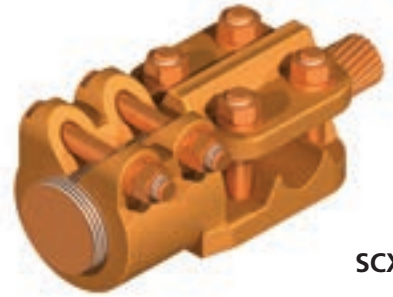
Copper Alloy

Hardware

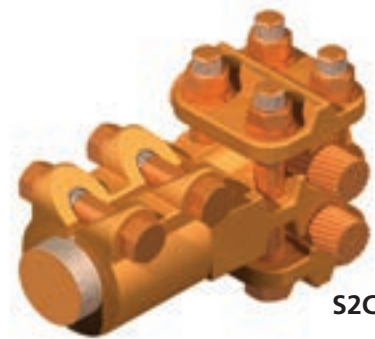
Everdur bolts, nuts and lockwashers

Note

- For a 1" T14 stud, and two 1000 MCM cables order S2CX100-100-T14



SCX



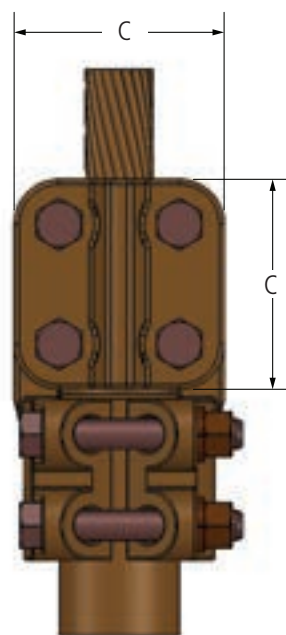
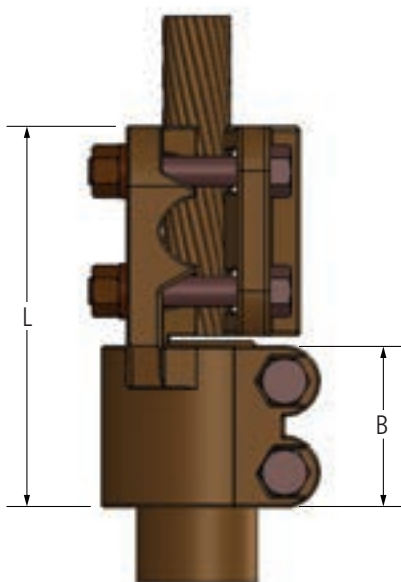
S2CX



SCX



S2CX



continued →



DOSSERT®

TYPE SCX, S2CX
Copper Stud Connector for Cable

Ordering Information

CATALOG NUMBERS	STUD DIA.	THREADS PER INCH	CABLE RANGE		SPS RANGE		DIMENSIONS IN INCHES			BOLT SIZE	
			SMALL GROOVE	LARGE GROOVE	SMALL GROOVE	LARGE GROOVE	B	C	L	STUD	TAP
SCX50-21-T13	1/2	13	6 Sol.-1 Stranded	1 Stranded-4/0	-	-	2	2	4 5/8	3/8	3/8
SCX75-21-T16	3/4	16	6 Sol.-1 Stranded	1 Stranded-4/0	-	-	2	2	4 5/8	3/8	3/8
SCX75-50-T16	3/4	16	6 Solid-4/0	4/0-500 MCM	3/8	1/2	2	2 1/4	4 7/8	3/8	5/8
SCX75-100-T16	3/4	16	2 Solid-350 MCM	350 MCM-1000 MCM	3/8	3/4	2	2 1/2	5 1/8	3/8	3/8
SCX100-50-T12	1	12	6 Solid-4/0	4/0-500 MCM	3/8	1/2	2	2 1/4	4 7/8	3/8	3/8
SCX100-50-T14	1	14	6 Solid-4/0	4/0-500 MCM	3/8	1/2	2	2 1/4	4 7/8	3/8	3/8
SCX100-50-T0	1	0	6 Solid-4/0	4/0-500 MCM	3/8	1/2	2	2 1/4	4 7/8	3/8	3/8
SCX100-100-T12	1	12	2 Solid-350 MCM	350 MCM-1000 MCM	3/8	3/4	2 1/2	2 7/8	6 3/8	1/2	1/2
SCX100-100-T14	1	14	2 Solid-350 MCM	350 MCM-1000 MCM	3/8	3/4	2 1/2	2 7/8	6 3/8	1/2	1/2
SCX112-50-T12	1 1/8	12	6 Solid-4/0	4/0-500 MCM	3/8	1/2	2	2 1/4	4 7/8	3/8	3/8
SCX112-100-T12	1 1/8	12	2 Solid-350 MCM	350 MCM-1000 MCM	3/8	3/4	2 3/4	2 7/8	6 3/8	1/2	1/2
SCX112-200-T12	1 1/8	12	4/0-795 MCM	795 MCM-2000 MCM	3/8	1 1/4	2 3/4	3 3/8	6 3/4	1/2	1/2
SCX118-200-T0	1 3/16	0	4/0-900 MCM	900 MCM-2000 MCM	3/8	1 1/4	2 3/4	3 3/8	6 5/8	1/2	1/2
SCX125-50-T12	1 1/4	12	6 Solid-4/0	4/0-500 MCM	3/8	1/2	2	2 1/4	4 7/8	3/8	3/8
SCX125-100-T12	1 1/4	12	2 Solid-350 MCM	350 MCM-1000 MCM	3/8	3/4	2 3/4	2 7/8	6 3/8	1/2	1/2
SCX125-200-T12	1 1/4	12	2 Solid-350 MCM	900 MCM-2000 MCM	3/8	1 1/4	2 3/4	3 3/8	6 5/8	1/2	1/2
SCX150-50-T12	1 1/2	12	6 Solid-4/0	4/0-500 MCM	3/8	1/2	2	2 1/4	4 7/8	3/8	3/8
SCX150-100-T12	1 1/2	12	2 Solid-350 MCM	350 MCM-1000 MCM	3/8	3/4	2 3/4	2 7/8	6 3/8	1/2	1/2
SCX150-200-T12	1 1/2	12	4/0-900 MCM	900 MCM-2000 MCM	3/8	1 1/4	2 3/4	3 3/8	6 3/4	1/2	1/2
SCX175-50-T12	1 3/4	12	6 Solid-4/0	4/0-500 MCM	3/8	1/2	2	2 1/4	4 5/8	3/8	3/8
SCX175-100-T12	1 3/4	12	2 Solid-350 MCM	350 MCM-1000 MCM	3/8	3/4	2 3/4	2 7/8	6 1/2	1/2	1/2
SCX175-200-T12	1 3/4	12	4/0-900 MCM	900 MCM-2000 MCM	3/8	1 1/4	2 3/4	3 3/8	6 5/8	1/2	1/2
SCX200-50-T12	2	12	6 Solid-4/0	4/0-500 MCM	3/8	1/2	2 1/4	2 1/4	5 1/4	3/8	3/8
SCX200-100-T12	2	12	2 Solid-350 MCM	350 MCM-1000 MCM	3/8	3/4	2 3/4	2 7/8	6	1/2	1/2
SCX200-200-T12	2	12	4/0-900 MCM	900 MCM-2000 MCM	3/8	1 1/4	2 3/4	3 3/8	6 5/8	1/2	1/2
SCX225-50-T12	2 1/4	12	6 Solid-4/0	4/0-500 MCM	3/8	1/2	2	2 1/4	4 5/8	3/8	3/8
SCX225-100-T12	2 1/4	12	2 Solid-350 MCM	350 MCM-1000 MCM	3/8	3/4	2 3/4	2 7/8	6	1/2	1/2
SCX225-200-T12	2 1/4	12	4/0-900 MCM	900 MCM-2000 MCM	3/8	1 1/4	2 3/4	3 3/8	6 5/8	1/2	1/2
SCX250-50-T12	2 1/2	12	6 Solid-4/0	4/0-500 MCM	3/8	1/2	2	2 1/4	4 5/8	3/8	3/8
SCX250-100-T12	2 1/2	12	2 Solid-350 MCM	350 MCM-1000 MCM	3/8	3/4	2 3/4	2 7/8	6	1/2	1/2
SCX250-200-T12	2 1/2	12	4/0-900 MCM	900 MCM-2000 MCM	3/8	1 1/4	2 3/4	3 3/8	6 5/8	1/2	1/2
SCX300-50-T12	3	12	6 Solid-4/0	4/0-500 MCM	3/8	1/2	2	2 1/4	4 5/8	5/8	3/8
SCX300-100-T12	3	12	2 Solid-350 MCM	350 MCM-1000 MCM	3/8	3/4	2 3/4	2 7/8	6	5/8	1/2
SCX300-200-T12	3	12	4/0-900 MCM	900 MCM-2000 MCM	3/8	1 1/4	2 3/4	3 3/8	6 5/8	1/2	1/2

DOSSERT®

TYPE SP, SP-90

Stud Connector For Tube To Threaded Stud

A connector for joining a tubular bus conductor to a threaded stud. The stud end can be threaded to any specified number of threads per inch or bored for an unthreaded stud.

Material

Copper Alloy

Hardware

Everdur bolts, nuts and lockwashers

Notes

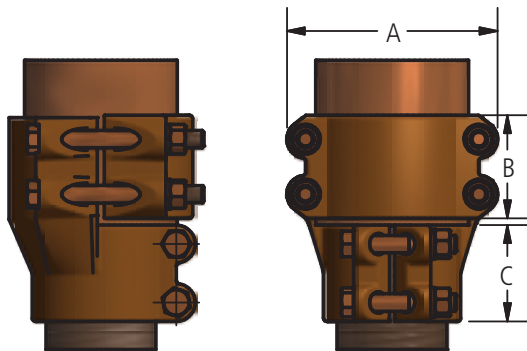
- For Stud threads not listed, add suffix 'T' and the number of threads per inch to category number. Ex: For a 1 1/8" stud to a 1 1/4" bus, 90°, without threads order SP112-125-T0-90.
- For a 1 1/8" stud to a 1 1/4" bus, straight, without threads, order SP112-125-T0.



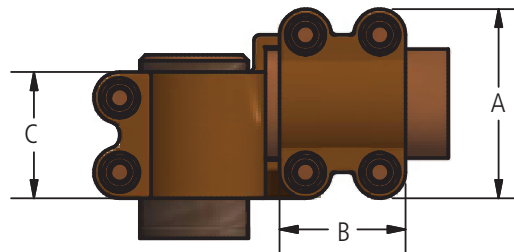
SP



SP-90



SP



SP-90

Ordering Information

CATALOG NUMBER		STUD DIAMETER	THREADS PER INCH	SPS	DIMENSIONS IN INCHES			BOLT SIZE
SP	SP-90				A	B	C	
SP50-50-T13	SP50-50-T13-90	1/2	13	1/2	2 1/4	2	2	3/8
SP50-75-T13	SP50-75-T13-90	1/2	13	3/4	2 7/16	2	2	3/8
SP50-10-T13	SP50-10-T13-90	1/2	13	1	2 11/16	2 1/8	2	3/8
SP75-50-T16	SP75-50-T16-90	3/4	16	1/2	2 1/4	2	2	3/8
SP75-75-T16	SP75-75-T16-90	3/4	16	3/4	2 7/16	2	2	3/8
SP75-100-T16	SP75-100-T16-90	3/4	16	1	2 11/16	2 1/8	2	3/8
SP75-125-T16	SP75-125-T16-90	3/4	16	1 1/4	3 7/16	2 1/2	2 1/4	1/2
SP75-150-T16	SP75-150-T16-90	3/4	16	1 1/2	3 5/8	2 5/8	2 1/4	1/2
SP100-50-T14	SP100-50-T14-90	1	14	1/2	2 1/4	2	2	3/8
SP100-75-T14	SP100-75-T14-90	1	14	3/4	2 7/16	2	2	3/8
SP100-100-T14	SP100-100-T14-90	1	14	1	2 11/16	2 1/8	2	3/8
SP100-125-T14	SP100-125-T14-90	1	14	1 1/4	3 7/16	2 1/2	2 1/4	1/2
SP100-150-T14	SP100-150-T14-90	1	14	1 1/2	3 5/8	2 5/8	2 1/4	1/2
SP100-200-T14	SP100-200-T14-90	1	14	2	4 1/8	2 3/4	2 1/4	1/2
SP112-50-T12	SP112-50-T12-90	1 1/8	12	1/2	2 1/4	2	2	3/8
SP112-75-T12	SP112-75-T12-90	1 1/8	12	3/4	2 7/16	2	2	3/8
SP112-100-T12	SP112-100-T12-90	1 1/8	12	1	2 11/16	2 1/8	2	3/8
SP112-125-T12	SP112-125-T12-90	1 1/8	12	1 1/4	3 7/16	2 1/2	2 1/4	1/2
SP125-200-T12	SP125-200-T12-90	1 1/4	12	2	4 1/8	2 3/4	2 3/4	1/2

DOSSERT®

TYPE SX-A, SX-A-90

Stud Expansion Connector for Pipe

Both SX-A and SX-A-90 connect copper stud to aluminum bus.

An expansion stud connector for joining a tubular bus to a threaded or unthreaded, transformer or terminal, stud. The movements of the conductors caused by thermal expansion and contraction or settling foundations are efficiently absorbed by the flexible braided linkages. Type SX is furnished with an alignment guide for connections where axial alignment is required.



SX-A

Material

Stud - Copper Alloy

Bus - Aluminum Alloy

Hardware

See image

Notes

For a 90 degree stud connector add -90 to the Catalog Number. EX. For at 1"-T14 stud to 1in SPS connector with 90 degree stud connector order: SX100-100A-T14-90

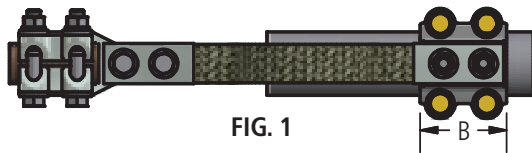


FIG. 1

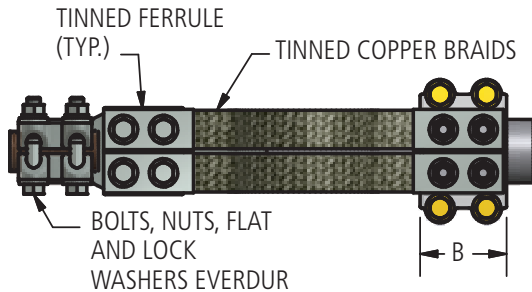
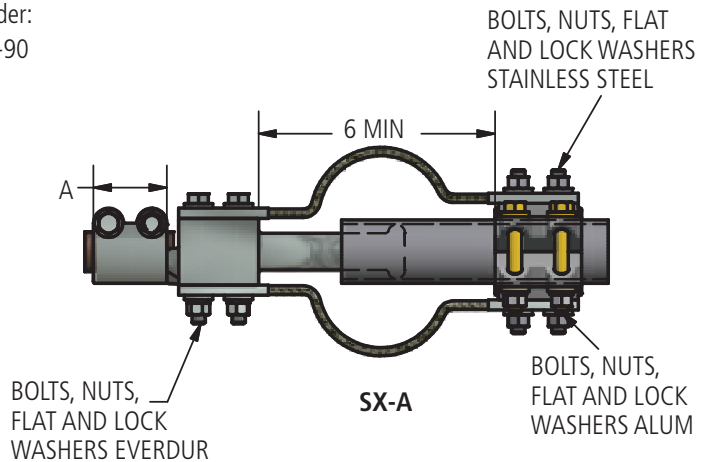
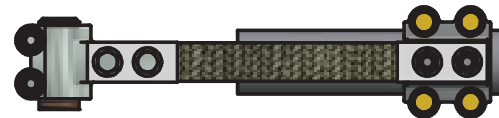


FIG. 2



SX-A



SX-A-90

Ordering Information

CATALOG NUMBER	STUD DIAMETER	THREADS PER INCH	SPS	FIG. NO.	DIMENSIONS IN INCHES		BOLT SIZE	
					A	B	STUD	PIPE
SX100-200A-T14	1	14	2	1	2 3/4	3 1/4	1/2	1/2
SX112-100A-T12	1 1/8	12	1	1	2	3 1/8	3/8	1/2
SX112-200A-T12	1 1/8	12	2	1	2 3/4	3 1/4	1/2	1/2
SX150-150A-T12	1 1/2	12	1 1/2	1	2 3/4	3 1/4	1/2	1/2
SX150-200A-T12	1 1/2	12	2	1	2 3/4	3 1/4	1/2	1/2
SX150-300A-T12	2	12	3	2	2 3/4	3 1/2	1/2	5/8
SX200-350A-T12	2	12	3 1/2	2	2 3/4	3 1/2	1/2	5/8
SX200-400A-T12	2	12	4	2	2 3/4	3 1/2	1/2	5/8
SX250-300A-T12	2 1/2	12	3	2	2	3 1/2	1/2	5/8

DOSSERT® TYPE SX, SX-90, SXP Stud Expansion Connector for Pipe

An expansion stud connector for joining a tubular bus to a threaded or unthreaded transformer stud. The movements of the conductors caused by thermal expansion and contraction or settling foundations are efficiently absorbed by the flexible braided linkages. Type SX is furnished with an alignment guide for connections where axial alignment is required.

SXP does not have an alignment guide.

Material

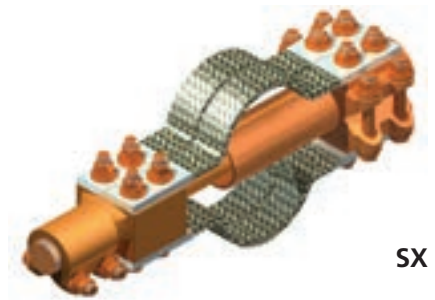
Copper Alloy

Hardware

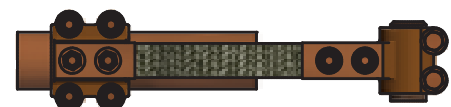
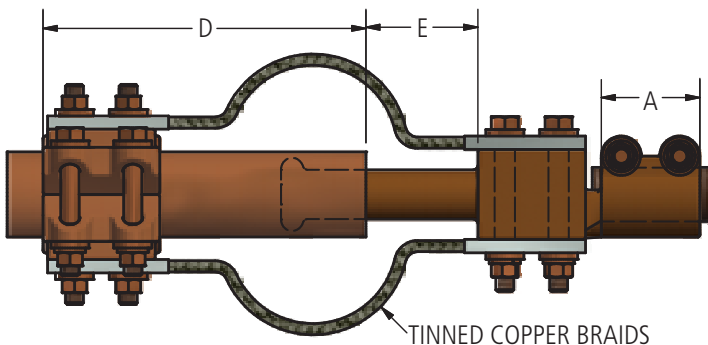
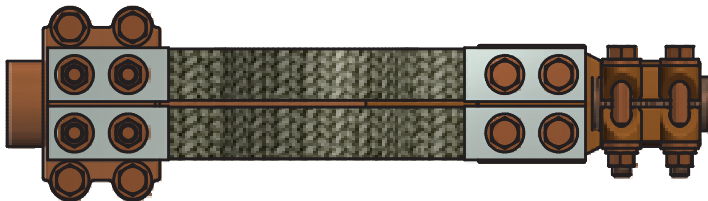
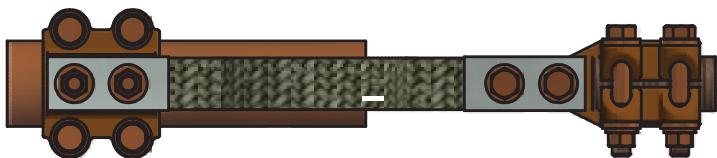
Everdur bolts, nuts and lockwashers

Notes

- For a 90 degree stud connector, add -90 to the Catalog Number. EX. For a 1"-T14 stud to 1" SPS connector with 90 degree stud connector, order: SX100-100-T14-90.
- SXP has no alignment guide. EX. For a 1"-T14 stud to 1" SPS connector with no alignment guide connector, order: SXP100-100-T14.
- For Tin Dipped, add -SN to the Catalog Number: SX100-100-T14-SN.
- For Laminates in place of Braids, add "L" to the Catalog Number: SXL150-125-T12.
- For stud threads not listed, add suffix "T" and the number of threads per inch to catalog number. EX. For a 1" stud to 1" SPS connector with no threads order: SX100-100-T0.



SX



SX-90

DOSSERT® TYPE SX, SX-90, SXP Stud Expansion Connector for Pipe

Ordering Information

CATALOG NUMBER			STUD DIA	THREADS PER INCH	SPS	DIMENSIONS IN INCHES			BOLT SIZE	
SX	SX-90	SXP				A	D	E	STUD	SPS
SX75-75-T16	SX75-75-T16-90	SXP75-75-T16	3/4	16	3/4	2 1/4	6 5/8	1 1/2	1/2	1/2
SX75-100-T16	SX75-100-T16-90	SXP75-100-T16	3/4	16	1	2 1/4	6 3/4	1 1/2	1/2	1/2
SX100-75-T14	SX100-75-T14-90	SXP100-75-T14	1	14	3/4	2 1/4	6 5/8	1 1/2	1/2	1/2
SX100-100-T14	SX100-100-T14-90	SXP100-100-T14	1	14	1	2 1/4	6 3/4	1 1/2	1/2	1/2
SX100-125-T14	SX100-125-T14-90	SXP100-125-T14	1	14	1 1/4	2 1/4	7 5/8	1 1/2	1/2	1/2
SX100-150-T14	SX100-150-T14-90	SXP100-150-T14	1	14	1 1/2	2 1/4	7 5/8	1 1/2	1/2	1/2
SX112-75-T12	SX112-75-T12-90	SXP112-75-T12	1 1/8	12	3/4	2 1/4	6 5/8	1 1/2	1/2	1/2
SX112-100-T12	SX112-100-T12-90	SXP112-100-T12	1 1/8	12	1	2 1/4	6 3/4	1 1/2	1/2	1/2
SX112-125-T12	SX112-125-T12-90	SXP112-125-T12	1 1/8	12	1 1/4	2 1/4	7 5/8	1 1/2	1/2	1/2
SX112-150-T12	SX112-150-T12-90	SXP112-150-T12	1 1/8	12	1 1/2	2 1/4	7 5/8	1 1/2	1/2	1/2
SX125-75-T12	SX125-75-T12-90	SXP125-75-T12	1 1/4	12	3/4	2 3/4	6 5/8	1 1/2	1/2	1/2
SX125-100-T12	SX125-100-T12-90	SXP125-100-T12	1 1/4	12	1	2 3/4	6 3/4	1 1/2	1/2	1/2
SX125-125-T12	SX125-125-T12-90	SXP125-125-T12	1 1/4	12	1 1/4	2 3/4	7 5/8	1 1/2	1/2	1/2
SX125-150-T12	SX125-150-T12-90	SXP125-150-T12	1 1/4	12	1 1/2	2 3/4	7 5/8	1 1/2	1/2	1/2
SX125-200-T12	SX125-200-T12-90	SXP125-200-T12	1 1/4	12	2	2 3/4	8 1/4	1 1/2	1/2	1/2
SX150-75-T12	SX150-75-T12-90	SXP150-75-T12	1 1/2	12	3/4	2 3/4	6 5/8	1 1/2	1/2	1/2
SX150-100-T12	SX150-100-T12-90	SXP150-100-T12	1 1/2	12	1	2 3/4	6 3/4	1 1/2	1/2	1/2
SX150-125-T12	SX150-125-T12-90	SXP150-125-T12	1 1/2	12	1 1/4	2 3/4	7 5/8	1 1/2	1/2	1/2
SX150-150-T12	SX150-150-T12-90	SXP150-150-T12	1 1/2	12	1 1/2	2 3/4	7 5/8	1 1/2	1/2	1/2
SX150-200-T12	SX150-200-T12-90	SXP150-200-T12	1 1/2	12	2	2 3/4	8 1/4	2 1/2	1/2	1/2
SX175-75-T12	SX175-75-T12-90	SXP175-75-T12	1 3/4	12	3/4	2 3/4	6 5/8	1 1/2	1/2	1/2
SX175-100-T12	SX175-100-T12-90	SXP175-100-T12	1 3/4	12	1	2 3/4	6 3/4	1 1/2	1/2	1/2
SX175-125-T12	SX175-125-T12-90	SXP175-125-T12	1 3/4	12	1 1/4	2 3/4	7 5/8	1 1/2	1/2	1/2
SX175-150-T12	SX175-150-T12-90	SXP175-150-T12	1 3/4	12	1 1/2	2 3/4	7 5/8	2 1/2	1/2	1/2
SX175-200-T12	SX175-200-T12-90	SXP175-200-T12	1 3/4	12	2	2 3/4	8 1/4	2 1/2	1/2	1/2
SX200-100-T12	SX200-100-T12-90	SXP200-100-T12	2	12	1	2 3/4	6 3/4	1 1/2	1/2	1/2
SX200-125-T12	SX200-125-T12-90	SXP200-125-T12	2	12	1 1/4	2 3/4	7 5/8	1 1/2	1/2	1/2
SX200-150-T12	SX200-150-T12-90	SXP200-150-T12	2	12	1 1/2	2 3/4	7 5/8	1 1/2	1/2	1/2
SX200-200-T12	SX200-200-T12-90	SXP200-200-T12	2	12	2	2 3/4	8 1/4	2 1/2	1/2	1/2
SX200-250-T12	SX200-250-T12-90	SXP200-250-T12	2	12	2 1/2	2 3/4	8 3/4	2 1/2	1/2	1/2
SX225-350E-T12	SX225-350E-T12-90	SXP225-350E-T12	2 1/4	12	3 1/2	2 3/4	9 1/4	2 1/2	1/2	5/8
SX300-200-T12	SX300-200-T12-90	SXP300-200-T12	3	12	2	3 1/4	8 1/4	2 1/2	5/8	1/2
SX300-250-T12	SX300-250-T12-90	SXP300-250-T12	3	12	2 1/2	3 1/4	8 3/4	2 1/2	5/8	1/2
SX300-300-T12	SX300-300-T12-90	SXP300-300-T12	3	12	3	3 1/4	10	2 1/2	5/8	5/8
SX300-350-T12	SX300-350-T12-90	SXP300-350-T12	3	12	3 1/2	3 1/4	11	2 1/2	5/8	5/8
SX300-400-T12	SX300-400-T12-90	SXP300-400-T12	3	12	4	3 1/4	11 1/2	2 1/2	5/8	5/8

DOSSERT®

TYPE US, U2S, US-90, U2S-90 Copper U-bolt Stud Connector For Cable

Material

Copper Alloy

Hardware

Everdur bolts, nuts, lockwashers, and U-bolts

Notes

- Can also be readily furnished for plain unthreaded studs.
- For a 90 degree add -90 and for double connector change 'US' to 'U2S'
- For a 1/2" stud, 2/0 Str cable, and 90 degree angle order: US50-13-T13-90
- For a 1/2" stud, two 2/0 Str cable, and 90 degree angle order: U2S50-13-T13-90
- For a 1/2" stud, two 2/0 Str cables and no thread order: U2S50-13-T0



US



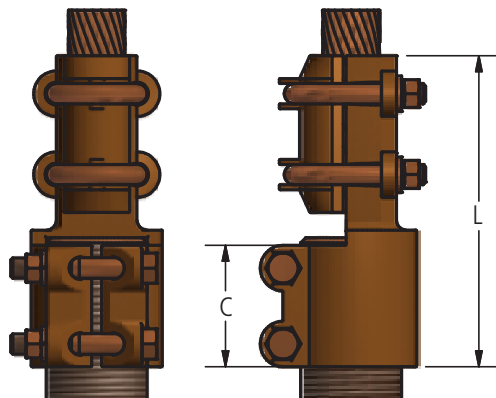
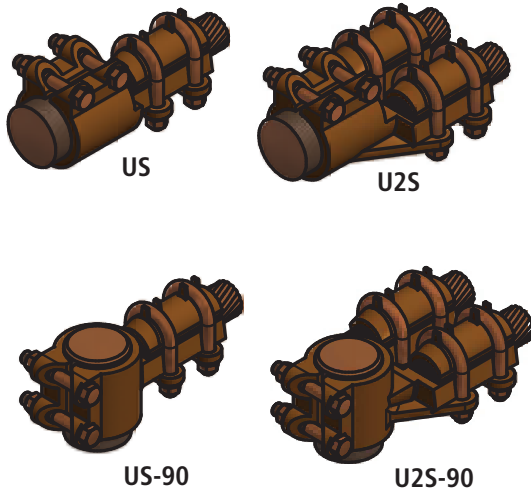
U2S



US-90



U2S-90



DOSSERT®

TYPE US, U2S, US-90, U2S-90 Copper U-bolt Stud Connector For Cable

Ordering Information

CATALOG NUMBER				STUD DIA.	THREADS PER INCH	CABLE RANGE		DIMENSIONS IN INCHES		BOLT SIZE	
STAIGHT		90 DEGREES				MIN	MAX	C	L	STUD	CABLE
1 CABLE	2 CABLES	1 CABLE	2 CABLES								
US50-13-T13	U2S50-13-T13	US50-13-T13-90	U2S50-13-T13-90	1/2	13	6 STR	2/0 STR	2	4 3/4	3/8	5/16
US50-21-T13	U2S50-21-T13	US50-21-T13-90	U2S50-21-T13-90	1/2	13	1 STR	4/0 STR	2	4 7/8	3/8	3/8
US62-13-T18	U2S62-13-T18	US62-13-T18-90	U2S62-13-T18-90	5/8	18	6 STR	2/0 STR	2	4 3/4	3/8	5/16
US62-21-T18	U2S62-21-T18	US62-21-T18-90	U2S62-21-T18-90	5/8	18	1 STR	4/0 STR	2	4 7/8	3/8	3/8
US62-30-T18	U2S62-30-T18	US62-30-T18-90	U2S62-30-T18-90	5/8	18	1/0 STR	300 MCM	2	5	3/8	3/8
US75-13-T16	U2S75-13-T16	US75-13-T16-90	U2S75-13-T16-90	3/4	16	6 STR	2/0 STR	2	4 3/4	3/8	5/16
US75-21-T16	U2S75-21-T16	US75-21-T16-90	U2S75-21-T16-90	3/4	16	1 STR	4/0 STR	2	4 7/8	3/8	3/8
US75-30-T16	U2S75-30-T16	US75-30-T16-90	U2S75-30-T16-90	3/4	16	1/0 STR	300 MCM	2	5	3/8	3/8
US75-50-T16	U2S75-50-T16	US75-50-T16-90	U2S75-50-T16-90	3/4	16	300 MCM	500 MCM	2 3/4	5 1/4	3/8	3/8
US100-21-T14	U2S100-21-T14	US100-21-T14-90	U2S100-21-T14-90	1	14	1 STR	4/0 STR	2	4 7/8	3/8	3/8
US100-30-T14	U2S100-30-T14	US100-30-T14-90	U2S100-30-T14-90	1	14	1/0 STR	300 MCM	2 3/4	5	3/8	3/8
US100-50-T14	U2S100-50-T14	US100-50-T14-90	U2S100-50-T14-90	1	14	300 MCM	500 MCM	2	5 1/4	3/8	3/8
US100-80-T14	U2S100-80-T14	US100-80-T14-90	U2S100-80-T14-90	1	14	500 MCM	800 MCM	2 3/4	6 1/4	1/2	1/2
US125-30-T12	U2S125-30-T12	US125-30-T12-90	U2S125-30-T12-90	1 1/4	12	1/0 STR	300 MCM	2	5	3/8	3/8
US125-50-T12	U2S125-50-T12	US125-50-T12-90	U2S125-50-T12-90	1 1/4	12	300 MCM	500 MCM	2	5 1/4	3/8	3/8
US125-80-T12	U2S125-80-T12	US125-80-T12-90	U2S125-80-T12-90	1 1/4	12	500 MCM	800 MCM	2 3/4	6 1/4	1/2	1/2
US125-100-T12	U2S125-100-T12	US125-100-T12-90	U2S125-100-T12-90	1 1/4	12	750 MCM	1000 MCM	2 3/4	6 1/2	1/2	1/2
US150-30-T12	U2S150-30-T12	US150-30-T12-90	U2S150-30-T12-90	1 1/2	12	1/0 STR	300 MCM	2	5	3/8	3/8
US150-80-T12	U2S150-80-T12	US150-80-T12-90	U2S150-80-T12-90	1 1/2	12	500 MCM	800 MCM	2 3/4	6 1/4	1/2	1/2
US150-100-T12	U2S150-100-T12	US150-100-T12-90	U2S150-100-T12-90	1 1/2	12	750 MCM	1000 MCM	2 3/4	6 1/2	1/2	1/2
US150-150-T12	U2S150-150-T12	US150-150-T12-90	U2S150-150-T12-90	1 1/2	12	1000 MCM	1500 MCM	2 3/4	7	1/2	1/2
US150-200-T12	U2S150-200-T12	US150-200-T12-90	U2S150-200-T12-90	1 1/2	12	1500 MCM	2000 MCM	2 3/4	7 1/2	1/2	1/2
US200-50-T12	U2S200-50-T12	US200-50-T12-90	U2S200-50-T12-90	2	12	300 MCM	500 MCM	2	5 1/4	3/8	3/8
US200-80-T12	U2S200-80-T12	US200-80-T12-90	U2S200-80-T12-90	2	12	500 MCM	800 MCM	2 3/4	6 1/4	1/2	1/2
US200-100-T12	U2S200-100-T12	US200-100-T12-90	U2S200-100-T12-90	2	12	750 MCM	1000 MCM	2 3/4	6 1/2	1/2	1/2
US200-150-T12	U2S200-150-T12	US200-150-T12-90	U2S200-150-T12-90	2	12	1000 MCM	1500 MCM	2 3/4	7	1/2	1/2
US200-200-T12	U2S200-200-T12	US200-200-T12-90	U2S200-200-T12-90	2	12	1500 MCM	2000 MCM	2 3/4	7 1/2	1/2	1/2
US250-50-T12	U2S250-50-T12	US250-50-T12-90	U2S250-50-T12-90	2 1/2	12	300 MCM	500 MCM	2	5 1/4	3/8	3/8
US250-80-T12	U2S250-80-T12	US250-80-T12-90	U2S250-80-T12-90	2 1/2	12	500 MCM	800 MCM	2 3/4	6 1/4	1/2	1/2
US250-100-T12	U2S250-100-T12	US250-100-T12-90	U2S250-100-T12-90	2 1/2	12	750 MCM	1000 MCM	2 3/4	6 1/2	1/2	1/2
US250-150-T12	U2S250-150-T12	US250-150-T12-90	U2S250-150-T12-90	2 1/2	12	1000 MCM	1500 MCM	2 3/4	7	1/2	1/2
US300-50-T12	U2S300-50-T12	US300-50-T12-90	U2S300-50-T12-90	3	12	300 MCM	500 MCM	2	5 1/4	3/8	3/8
US300-80-T12	U2S300-80-T12	US300-80-T12-90	U2S300-80-T12-90	3	12	500 MCM	800 MCM	3	6 1/2	1/2	1/2
US300-100-T12	U2S300-100-T12	US300-100-T12-90	U2S300-100-T12-90	3	12	750 MCM	1000 MCM	3	6 3/4	1/2	1/2
US300-150-T12	U2S300-150-T12	US300-150-T12-90	U2S300-150-T12-90	3	12	1000 MCM	1500 MCM	3	7 1/4	1/2	1/2
US300-200-T12	U2S300-200-T12	US300-200-T12-90	U2S300-200-T12-90	3	12	1500 MCM	2000 MCM	3	7 3/4	1/2	1/2

DOSSERT®

TYPE CASV

Cable Spacer Clamp

Material

Copper Alloy

Hardware

Everdur-nuts, bolts and lock washers.



CASV

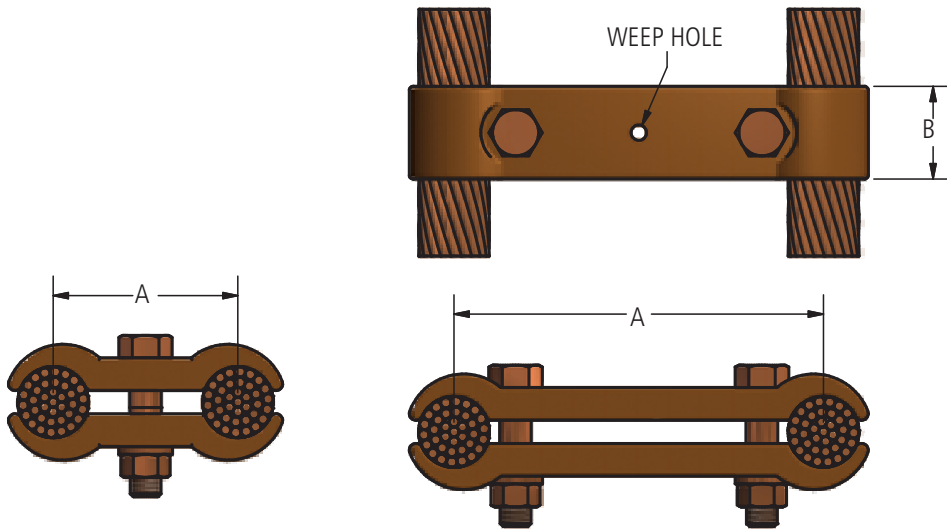


FIG. 1

FIG. 2

Ordering Information

CATALOG NUMBER	CABLE RANGE		FIG. NO.	DIMENSIONS IN INCHES		BOLT SIZE
	MIN	MAX		A	B	
CASV60-4	350 MCM	600 MCM	1	4	1 1/2	1/2
CASV90-3	500 MCM	900 MCM	1	3	1 1/2	1/2
CASV90-4	500 MCM	900 MCM	1	4	1 1/2	1/2
CASV90-6	500 MCM	900 MCM	2	6	1 1/2	1/2
CASV90-12	500 MCM	900 MCM	2	12	1 1/2	1/2
CASV100-2 1/2	750 MCM	1000 MCM	1	2 1/2	1 1/2	1/2
CASV100-4	750 MCM	1000 MCM	1	4	1 1/2	1/2
CASV100-6	750 MCM	1000 MCM	2	6	1 1/2	1/2
CASV100-8	750 MCM	1000 MCM	2	8	1 1/2	1/2
CASV200-6	1500 MCM	2000 MCM	2	6	2 1/8	5/8
CASV200-8	1500 MCM	2000 MCM	2	8	2 1/8	5/8

DOSSERT®

TYPE UD2E, UD2E-PG Dead End Clamp For Two Conductors

A two conductor variable U-bolt type dead ending clamp with curvature for jumper loop.

Material

Copper Alloy

Hardware

Everdur nuts, U-bolts and lockwashers

Notes

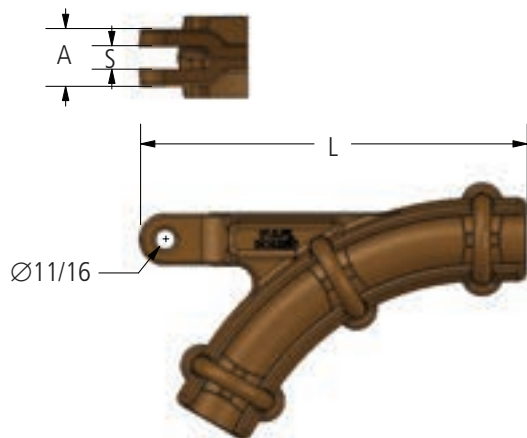
- For a Pulling eye, add suffix "-PG" to end of catalog number. EX: UD2E21-PG



UD2E



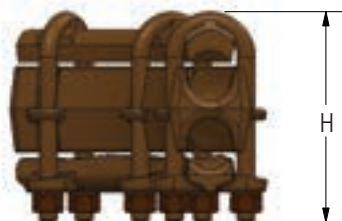
UD2E-PG



UD2E



UD2E-PG



Ordering Information

CATALOG NUMBER	CABLE RANGE		DIMENSIONS IN INCHES				U-BOLT SIZE
	MIN	MAX	A	H	L	S	
UD2E21	2/0 Stranded	4/0 Stranded	1 21/32	3 7/8	8 1/4	3/4	3/8
UD2E35	4/0 Stranded	350 kcmil	1 21/32	4 1/8	8 5/8	3/4	3/8
UD2E50	350 kcmil	500 kcmil	1 21/32	4 3/8	8 5/8	3/4	1/2
UD2E80	500 kcmil	800 kcmil	1 13/16	5	9 1/2	13/16	1/2
UD2E100	600 kcmil	1000 kcmil	1 13/16	5 1/4	9 5/8	13/16	1/2
UD2E150	1250 kcmil	1500 kcmil	1 13/16	6	10 5/8	13/16	1/2
UD2E200	1500 kcmil	2000 kcmil	2	7 9/16	13 7/16	13/16	5/8

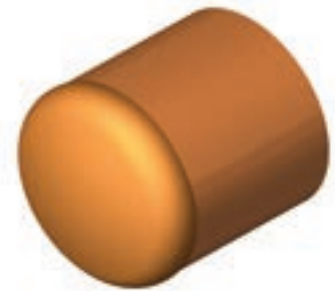
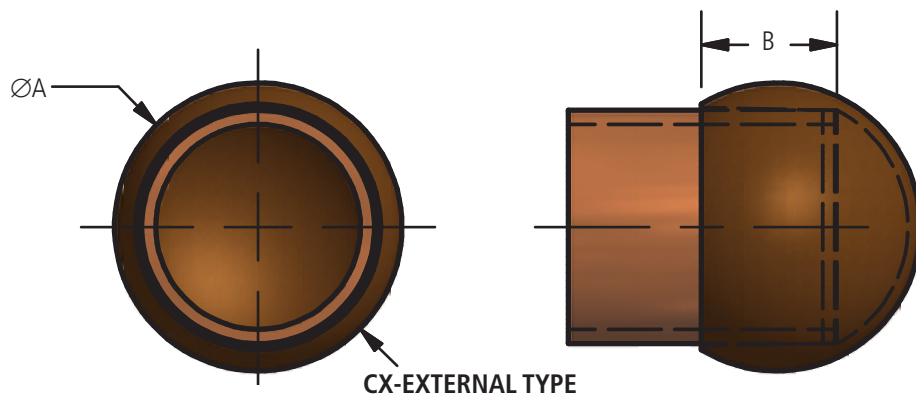
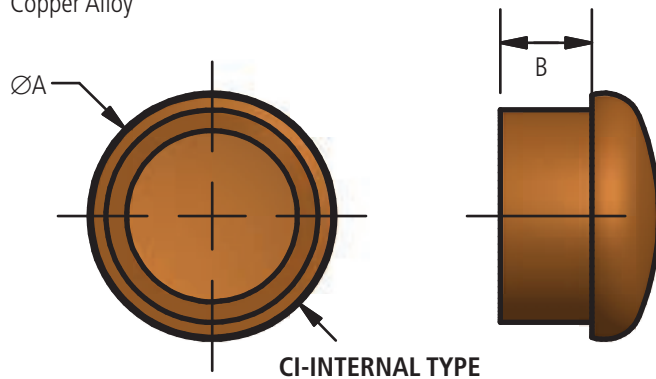
DOSSERT®

TYPE CI, CI-E, CX Copper Corona Bells for Tubular Bus

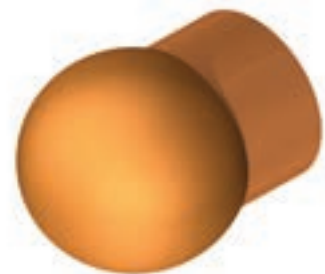
Corona Bell for sealing the exposed ends of standard pipe size tubular buses. Prevents rain and undue condensation from accumulating inside the bus. The smooth rounded surfaces reduce electrostatic discharge thereby aiding in the reduction of power transmission losses.

Material

Copper Alloy



CI



CX

Ordering Information CI (Internal Fit)

CATALOG NUMBER		SPS	DIMENSIONS IN INCHES	
CI SERIES			A	B
SCH. 40	SCH. 80			
CI50	CI50E	1/2	0.840	0.438
CI75	CI75E	3/4	1.050	0.500
CI100	CI100E	1	1.315	0.531
CI125	CI125E	1-1/4	1.660	0.625
CI150	CI150E	1-1/2	1.900	0.688
CI200	CI200E	2	2.375	0.750
CI250	CI250E	2-1/2	2.875	0.813
CI300	CI300E	3	3.500	0.938
CI350	CI350E	3-1/2	4.000	1.125
CI400	CI400E	4	4.500	1.500
CI500	CI500E	5	5.563	2.000
CI600	CI600E	6	6.625	2.500

Ordering Information CX (External Fit)

CATALOG NUMBER	SPS	DIMENSIONS IN INCHES	
CX SERIES		A	B
CX50	1/2	1.125	0.688
CX75	3/4	1.375	0.750
CX100	1	1.750	1.000
CX125	1-1/4	2.125	1.125
CX150	1-1/2	2.563	1.250
CX200	2	3.125	1.500
CX250	2-1/2	3.625	1.625
CX300	3	4.313	1.813
CX350	3-1/2	5.000	2.188
CX400	4	5.500	2.375
CX450	4-1/2	5.625	2.500
CX500	5	6.750	2.625
CX600	6	6.875	2.875

DOSSERT®

TYPE CFT

Tee Connector For Cable To Flat Bar Tap

A cable run to flat bar tap tee connector. Designed for one 1/4 inch bar, Fig. 1 and for two 1/4 inch bars spaced 1/4 inch apart, Fig. 2.

Material

Copper Alloy

Hardware

Everdur-bolts, nuts, and lockwashers.

Notes

- Can also be furnished upon specification to accommodate additional bars, other bar spacing, and other drilling or any combination thereof.
- Pad size and drilling can also be furnished to conform to NEMA standards.

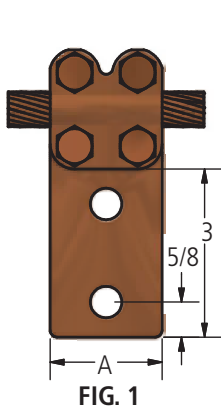


FIG. 1

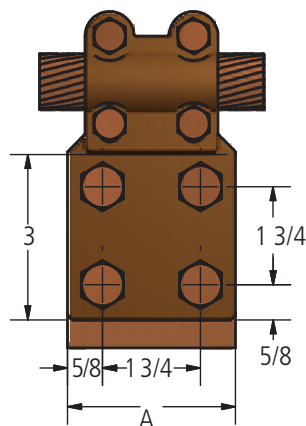
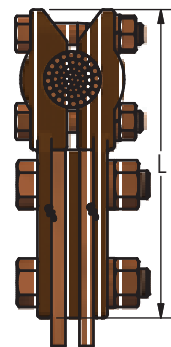


FIG. 2



Ordering Information

CATALOG NUMBER	CABLE SIZE	FIG. NO.	DIMENSIONS IN INCHES		BOLT SIZE
			A	L	
CFT21-1-2N	4/0 Str	1	2	5 7/16	3/8
CFT30-1-2N	300 MCM	1	2	5 1/2	3/8
CFT30-1-3N	300 MCM	1	3	5 1/2	3/8
CFT50-1-2N	500 MCM	1	2	5 11/16	3/8
CFT50-2-2N	500 MCM	2	2	5 11/16	3/8
CFT50-1-3N	500 MCM	1	3	5 11/16	3/8
CFT75-1-2N	750 MCM	1	2	6 1/8	3/8
CFT75-2-2N	750 MCM	2	2	6 1/8	3/8
CFT75-1-3N	750 MCM	1	3	6 1/8	3/8
CFT100-1-2N	1000 MCM	1	2	6 9/16	1/2
CFT100-2-2N	1000 MCM	2	2	6 9/16	1/2
CFT100-1-3N	1000 MCM	1	3	6 9/16	1/2
CFT100-2-3N	1000 MCM	2	3	6 9/16	1/2
CFT100-1-4N	1000 MCM	1	4	6 9/16	1/2
CFT150-1-2N	1500 MCM	1	2	6 7/8	1/2
CFT150-2-2N	1500 MCM	2	2	6 7/8	1/2
CFT150-1-3N	1500 MCM	1	3	6 7/8	1/2
CFT150-2-3N	1500 MCM	2	3	6 7/8	1/2
CFT150-1-4N	1500 MCM	1	4	6 7/8	1/2
CFT200-2-2N	2000 MCM	2	2	7	1/2
CFT200-1-3N	2000 MCM	1	3	7	1/2
CFT200-2-3N	2000 MCM	2	3	7	1/2
CFT200-1-4N	2000 MCM	1	4	7	1/2
CFT200-2-4N	2000 MCM	2	4	7	1/2

DOSSERT®

TYPE CFTV-S

Tee Connector For Cable To Flat Bar Tap

A cable run to flat bar tap tee connector.

Material

Copper Alloy

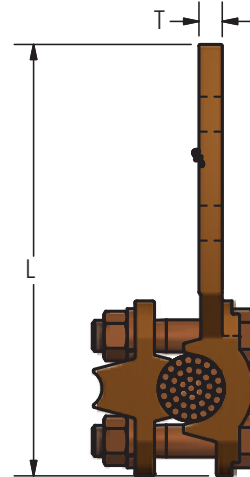
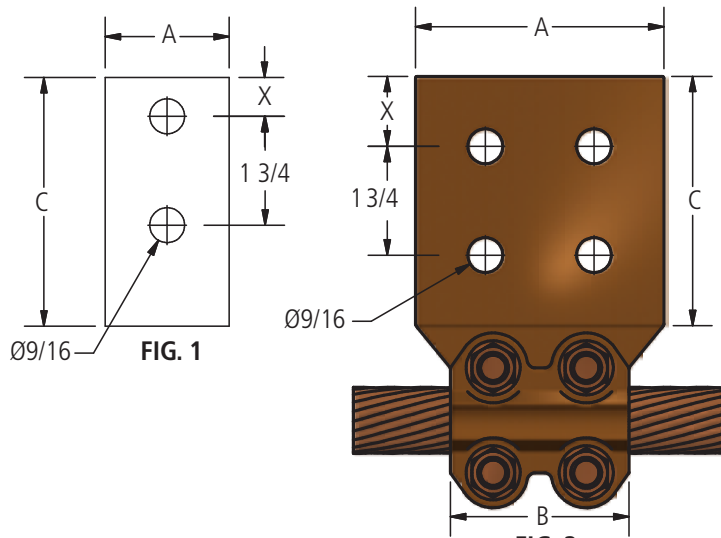
Hardware

Everdur-bolts, nuts, and lockwashers.

Note

For a tin plated finish add suffix "-SN" to end of catalog number.

Ex: CFTV60-2N-S-SN



Bronze Terminals, Taps

Ordering Information

CATALOG NUMBER	CABLE RANGE				FIG. NO.	DIMENSIONS IN INCHES						BOLT SIZE
	SMALL GROOVE		LARGE GROOVE			A	B	C	L	T	X	
	MIN	MAX	MIN	MAX								
CFTV60-2N-S	4 SOL	3/0 STR	4/0 STR	600 MCM	1	2	2 1/2	3	5 1/2	3/8	5/8	3/8
CFTV60-4N-S	4 SOL	3/0 STR	4/0 STR	600 MCM	2	3	2 1/2	3	5 1/2	3/8	5/8	3/8
CFTV80-2N-S	2/0 SOL	300 MCM	350 MCM	800 MCM	1	2	2 7/8	3	6 1/4	3/8	5/8	1/2
CFTV80-4N-S	2/0 SOL	300 MCM	350 MCM	800 MCM	2	3	2 7/8	3	6 1/4	3/8	5/8	1/2
CFTV80-4N4-S	2/0 SOL	300 MCM	350 MCM	800 MCM	2	4	2 7/8	4	7 1/4	3/8	1 1/8	1/2
CFTV85-2N-S	6 SOL	300 MCM	350 MCM	850 MCM	1	2	2 7/8	3	5 15/16	3/8	5/8	1/2
CFTV85-4N-S	6 SOL	300 MCM	350 MCM	850 MCM	2	3	2 7/8	3	5 15/16	3/8	5/8	1/2
CFTV85-4N4-S	6 SOL	300 MCM	350 MCM	850 MCM	2	4	2 7/8	4	6 15/16	3/8	1 1/8	1/2
CFTV100-2N-S	4/0 SOL	400 MCM	450 MCM	1000 MCM	1	2	2 7/8	3	6	1/2	5/8	1/2
CFTV100-4N-S	4/0 SOL	400 MCM	450 MCM	1000 MCM	2	3	2 7/8	3	6	1/2	5/8	1/2
CFTV100-4N4-S	4/0 SOL	400 MCM	450 MCM	1000 MCM	2	4	2 7/8	4	7	1/2	1 1/8	1/2
CFTV150-2N-S	250 MCM	750 MCM	800 MCM	1500 MCM	1	2	3 3/8	3	6 1/4	1/2	5/8	1/2
CFTV150-4N-S	250 MCM	750 MCM	800 MCM	1500 MCM	2	3	3 3/8	3	6 1/4	1/2	5/8	1/2
CFTV150-4N4-S	250 MCM	750 MCM	800 MCM	1500 MCM	2	4	3 3/8	4	7 1/4	1/2	1 1/8	1/2
CFTV200-4N-S	500 MCM	900 MCM	1000 MCM	2000 MCM	2	3	3 3/8	3	6 1/2	11/16	5/8	1/2
CFTV200-4N4-S	500 MCM	900 MCM	1000 MCM	2000 MCM	2	4	3 3/8	4	7 1/2	11/16	1 1/8	1/2

DOSSERT®

TYPE D

Copper Screw Terminals For Cable To Flat

An inexpensive lug of rugged construction yet very compact. These lugs are suitable for all types of installations and are completely reusable. Acceptance of wide range of conductor sizes limits the need for large stock.

Material

Copper Alloy

Hardware

Zinc Plated Steel Screw

Note

Also available with Hex head set screw. Add (H) to catalog number. Example D35H.

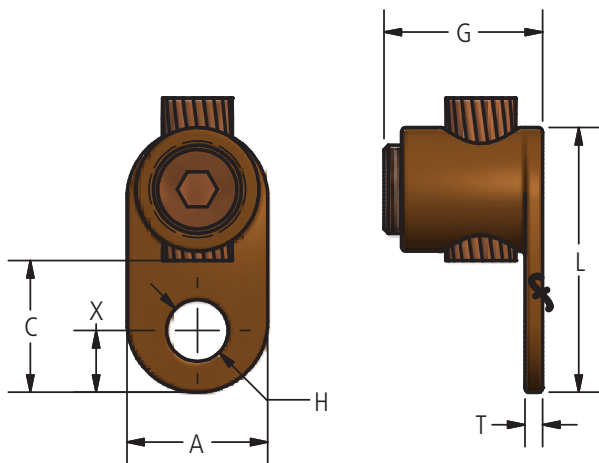


FIG. 1

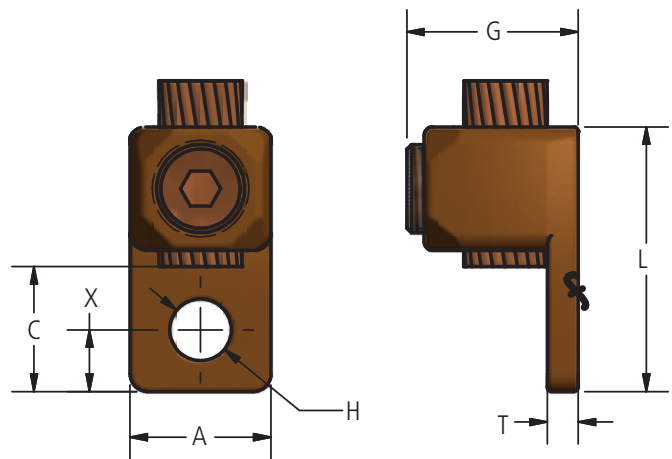


FIG. 2

Ordering Information

CATALOG NUMBER		CABLE RANGE		FIG. NO.	DIMENSIONS IN INCHES						
ALLEN HEAD BOLT	HEX HEAD BOLT	MINIMUM	MAXIMUM		A	C	G	H	L	T	X
D10	D10H	4 STR	1/0 STR	1	3/4	3/4	7/8	11/32	1 1/2	5/32	3/8
D21	D21H	1 STR	4/0 STR	1	15/16	1	1 1/4	7/16	1 13/16	3/16	7/16
D25	D25H	2/0 STR	250 MCM	1	1	1	1 5/16	7/16	1 7/8	3/16	7/16
D35	D35H	#14 SOL	#8 STR	1	13/32	15/32	9/16	7/32	13/16	5/64	3/16
D50	D50H	4/0 STR	500 MCM	2	1 3/8	1 3/8	1 3/4	9/16	2 7/8	5/16	11/16
D70	D70H	#14 SOL	#4 STR	1	9/16	5/8	11/16	9/32	1 1/8	7/64	1/4
D100	D100H	500 MCM	1000 MCM	2	1 15/16	1 5/8	2 1/4	9/16	3 5/8	3/8	3/4

DOSSERT®

TYPE D2

Copper Screw Terminals For Two Cables To Flat

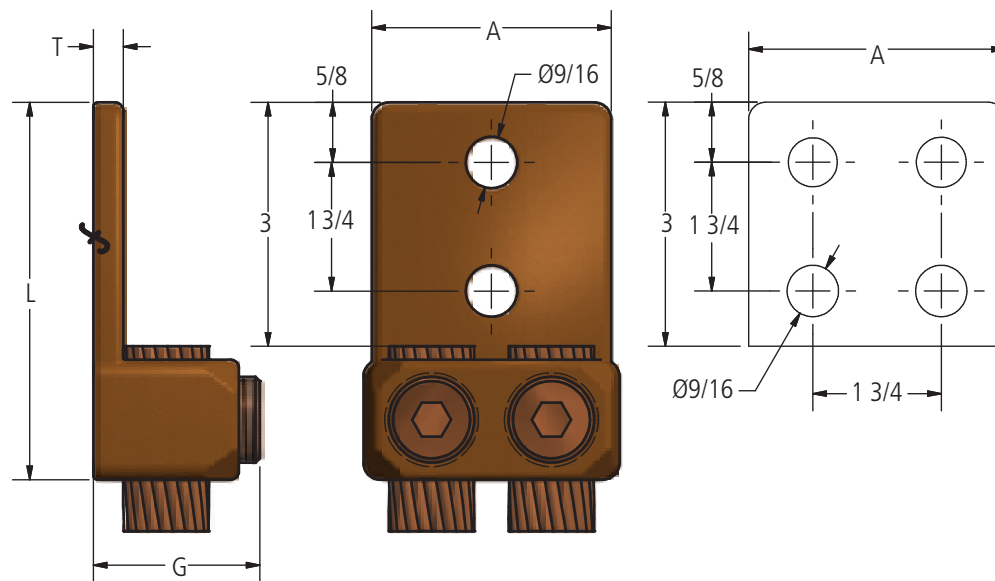
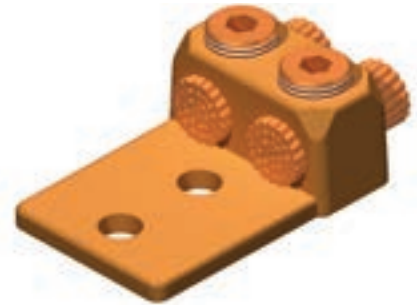
A double conductor lug of the same rugged construction as the Type D. Available with either hex socket or hex head pressure screws. Wide range of conductor sizes limits the need for large stock.

Material

Copper Alloy

Hardware

Zinc Plated Steel Screw



Bronze Terminals, Taps

Ordering Information

CATALOG NUMBER		CABLE RANGE		FIG. NO.	DIMENSIONS IN INCHES			
SOCKET	HEX	MIN	MAX		A	G	L	T
D2-25	D2-25H	1/0 STR	250 MCM	1	1 7/8	1 5/16	4 5/16	9/32
D2-50	D2-50H	4/0 STR	500 MCM	1	2 1/2	1 3/4	4 7/8	3/8
D2-100	D2-100H	500 MCM	1000 MCM	2	3 1/4	2 1/4	5 9/16	1/2

DOSSERT[®] TYPE HHL, HHL-A Copper Heavy Duty Terminal for Cable

A variable terminal connector whose double clamping element provides for additional secureness where heavy duty service is required. The simplicity of installation and rugged design make this connector a serviceable unit. Made of high conductivity cast copper alloy and equipped with bronze pressure screws and clamping members. HHL-A has cap screws instead of hex bolts for clamping the conductor.

Material

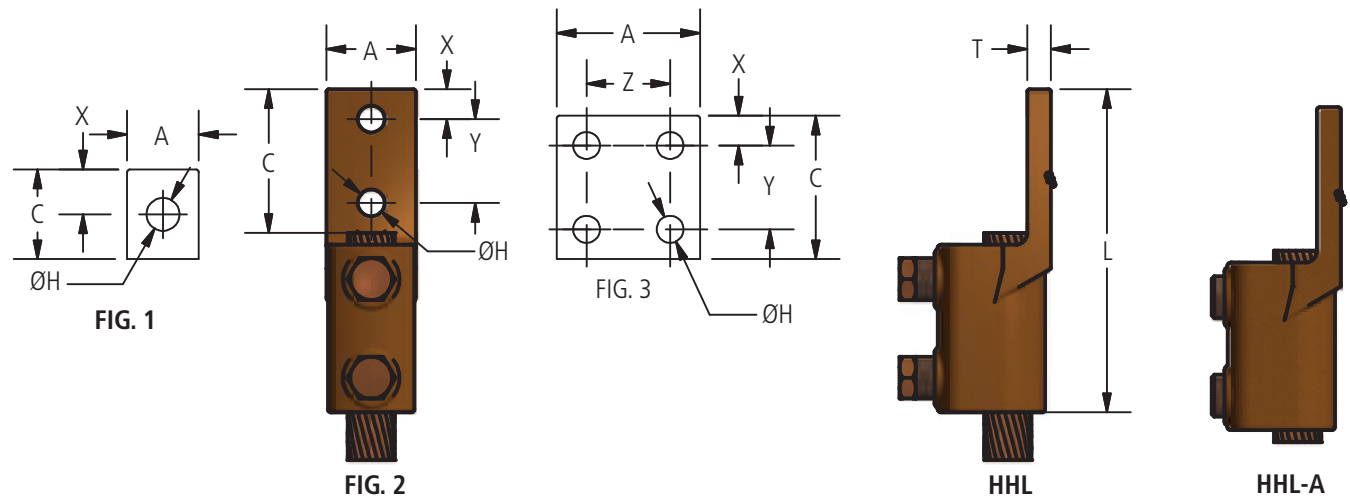
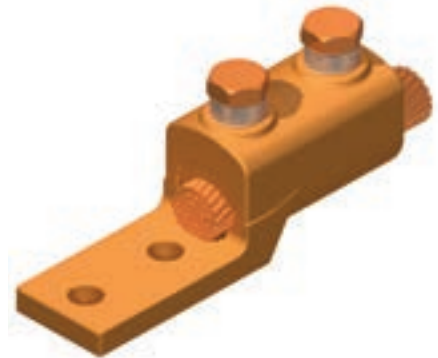
Copper Alloy

Hardware

Zinc Plated Steel Screw

Note

For a 350MCM cable to a 2 NEMA pad with cap screws order: HHL350-2N-A



Bronze Terminals, Taps

DOSSERT®

TYPE HHL, HHL-A Copper Heavy Duty Terminal for Cable

Ordering Information

CATALOG NUMBER		CABLE SIZE		FIG. NO.	DIMENSIONS IN INCHES							
HEX HEAD BOLT	ALLEN HEAD BOLT	MIN	MAX		A	C	H	L	X	Y	Z	T
HHL4-1	HHL4-1-A	8 SOL	4 STR	1	1/2	5/8	9/32	2 3/8	5/16	-	-	3/16
HHL4-2	HHL4-2-A	8 SOL	4 STR	2	1/2	1 1/4	9/32	2 15/16	5/16	5/8	-	3/16
HHL8-1	HHL8-1-A	4 SOL	1 STR	1	1 1/16	1 1/16	9/32	2 13/16	11/32	-	-	7/32
HHL8-2	HHL8-2-A	4 SOL	1 STR	2	1 1/16	1 3/8	9/32	3 5/8	5/16	3/4	-	7/32
HHL13-1	HHL13-1-A	1 STR	2/0 STR	1	13/16	7/8	7/16	3 3/16	7/16	-	-	7/32
HHL13-2	HHL13-2-A	1 STR	2/0 STR	2	13/16	1 5/8	11/32	4 3/16	3/8	7/8	-	7/32
HHL21-1	HHL21-1-A	2/0 STR	4/0 STR	1	1	1	7/16	3 9/16	1/2	-	-	1/4
HHL21-2	HHL21-2-A	2/0 STR	4/0 STR	2	1	1 3/4	7/16	4 1/2	3/8	1	-	1/4
HHL21-2N	HHL21-2N-A	2/0 STR	4/0 STR	2	1 1/2	3	9/16	5 5/8	5/8	1 3/4	-	1/4
HHL30-1	HHL30-1-A	4/0 STR	300 MCM	1	1 3/16	1 1/4	9/16	4 3/16	5/8	-	-	5/16
HHL30-2	HHL30-2-A	4/0 STR	300 MCM	2	1 3/16	2	7/16	4 3/4	7/16	1	-	5/16
HHL30-2N	HHL30-2N-A	4/0 STR	300 MCM	2	1 1/2	3	9/16	5 7/8	5/8	1 3/4	-	5/16
HHL35-1	HHL35-1-A	250 MCM	350 MCM	1	1 3/16	1 1/4	9/16	4 3/8	5/8	-	-	5/16
HHL35-2	HHL35-2-A	250 MCM	350 MCM	2	1 3/16	2	7/16	4 7/8	7/16	1	-	5/16
HHL35-2N	HHL35-2N-A	300 MCM	350 MCM	2	1 1/2	3	9/16	6	5/8	1 3/4	-	5/16
HHL50-1	HHL50-1-A	300 MCM	500 MCM	1	1 3/8	1 3/8	9/16	4 7/8	11/16	-	-	11/32
HHL50-2	HHL50-2-A	300 MCM	500 MCM	2	1 3/8	2	7/16	5 3/8	7/16	1	-	11/32
HHL50-2N	HHL50-2N-A	300 MCM	500 MCM	2	1 1/2	3	9/16	6 3/8	5/8	1 3/4	-	11/32
HHL50-4	HHL50-4-A	300 MCM	500 MCM	3	2	2	7/16	5 3/8	7/16	1	1	11/32
HHL50-4N	HHL50-4N-A	500 MCM	750 MCM	3	3	3	9/16	6 7/8	5/8	1 3/4	1 3/4	11/32
HHL75-1	HHL75-1-A	500 MCM	750 MCM	1	1 5/8	1 3/4	11/16	5 11/16	7/8	-	-	3/8
HHL75-2	HHL75-2-A	500 MCM	750 MCM	2	1 5/8	2 1/4	9/16	5 15/16	9/16	1 1/8	-	3/8
HHL75-2N	HHL75-2N-A	500 MCM	750 MCM	2	1 5/8	3	9/16	6 13/16	5/8	1 3/4	-	3/8
HHL75-4	HHL75-4-A	500 MCM	750 MCM	3	2 1/4	2 1/4	7/16	5 3/4	5/8	1	1	3/8
HHL75-4N	HHL75-4N-A	750 MCM	1000 MCM	3	3	3	9/16	6 7/8	5/8	1 3/4	1 3/4	3/8
HHL100-1	HHL100-1-A	750 MCM	1000 MCM	1	1 7/8	1 7/8	11/16	6 1/16	15/16	-	-	1/2
HHL100-2	HHL100-2-A	750 MCM	1000 MCM	2	1 7/8	2 1/2	9/16	6 3/8	5/8	1 1/4	-	1/2
HHL100-2N	HHL100-2N-A	750 MCM	1000 MCM	2	1 7/8	3	9/16	7 1/16	5/8	1 3/4	-	1/2
HHL100-4	HHL100-4-A	750 MCM	1000 MCM	3	2 1/2	2 1/2	7/16	6 1/4	5/8	1 1/4	1 1/4	1/2
HHL100-4N	HHL100-4N-A	1000 MCM	1500 MCM	3	3	3	9/16	7 1/8	5/8	1 3/4	1 3/4	1/2
HHL150-1	HHL150-1-A	1000 MCM	1500 MCM	1	2 1/8	2 1/8	13/16	6 3/8	1 1/16	-	-	9/16
HHL150-2	HHL150-2-A	1000 MCM	1500 MCM	2	2 1/8	2 5/8	9/16	7 3/8	5/8	1 3/8	-	9/16
HHL150-2N	HHL150-2N-A	1000 MCM	1500 MCM	2	2 1/8	3	9/16	7 3/4	5/8	1 3/4	-	9/16
HHL150-4	HHL150-4-A	1000 MCM	1500 MCM	3	2 5/8	2 5/8	9/16	7 3/8	5/8	1 3/8	1 3/8	9/16
HHL150-4N	HHL150-4N-A	1000 MCM	1500 MCM	3	3	3	9/16	8 1/4	5/8	1 3/4	1 3/4	9/16

Bronze Terminals, Taps

DOSSERT® TYPE HL, HLA-45, HLA-90

Copper Set Screw Terminal. HL conductor runs parallel to the pad, HLA45 the pad is at a 45° angle to the conductor, and HLA90 the pad is at a 90° angle to the conductor. HL-A has a set screw instead of the hex bolt.

The HERCULON™ Lug is designed for quick and efficient installation. Its compact rigid structure makes it especially adaptable for assembly in inaccessible quarters. A high compressive clamping force on the cable conductors plus the additional gripping action of special serrated bearing areas makes for high electrical contact efficiency and pull out strength.

Material

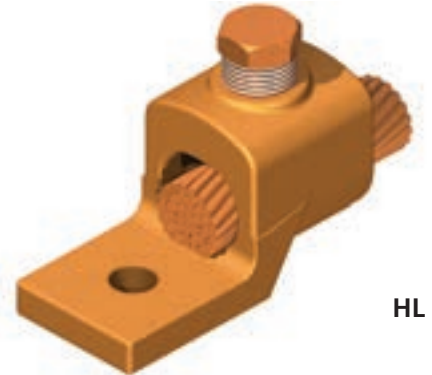
Copper Alloy

Hardware

Everdur pressure bolt

Note

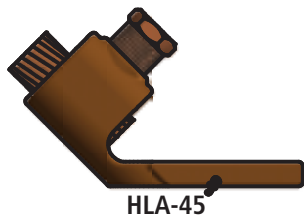
For set screw instead of bolt, add "A" to end of part number. Example: HL1-1A



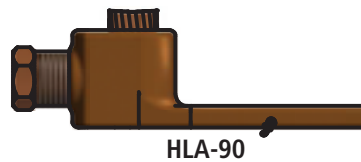
HL



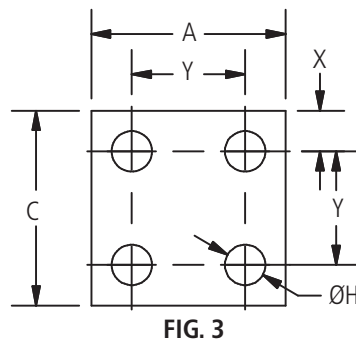
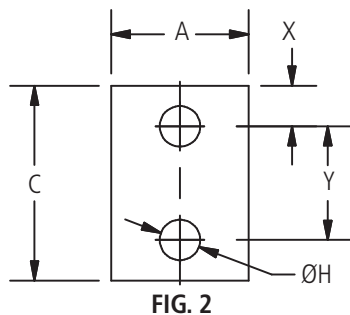
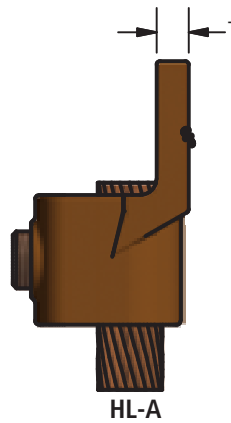
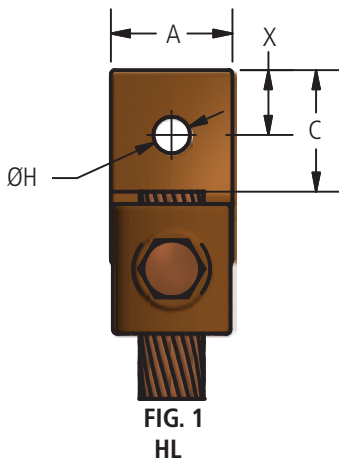
HL-A



HLA-45



HLA-90



Bronze Terminals, Taps

DOSSERT® TYPE HL, HLA-45, HLA-90

Ordering Information

CATALOG NUMBER			COMMERCIAL CABLE SIZE		NAVY CABLE SIZE		FIG. NO.	DIMENSIONS IN INCHES					
STRAIGHT	45 DEG	90 DEG	MIN.	MAX.	MIN.	MAX.		A	C	H	X	Y	T
HL1-1	HLA1-1-45	HLA1-1-90	14 SOL	8 STR	4	14	1	9/16	3/4	7/32	5/16	-	3/16
HL1-2	HLA1-2-45	HLA1-2-90	14 SOL	8 STR	4	14	2	1/2	1 1/4	7/32	5/16	5/8	3/16
HL4-1	HLA4-1-45	HLA4-1-90	8 SOL	4 STR	23	40	1	9/16	3/4	9/32	5/16	-	3/16
HL4-2	HLA4-2-45	HLA4-2-90	8 SOL	4 STR	23	40	2	9/16	1 1/4	9/32	5/16	5/8	3/16
HL8-1	HLA8-1-45	HLA8-1-90	4 SOL	1 STR	50	75	1	3/4	7/8	9/32	11/32	-	7/32
HL8-2	HLA8-2-45	HLA8-2-90	4 SOL	1 STR	50	75	2	3/4	1 1/2	9/32	5/16	3/4	7/32
HL13-1	HLA13-1-45	HLA13-1-90	1 STR	2/0 STR	100	125	1	13/16	7/8	7/16	7/16	-	7/32
HL13-2	HLA13-2-45	HLA13-2-90	1 STR	2/0 STR	100	125	2	13/16	1 5/8	7/16	3/8	1	7/32
HL21-1	HLA21-1-45	HLA21-1-90	2/0 STR	4/0 STR	150	200	1	1	1	7/16	1/2	-	1/4
HL21-2	HLA21-2-45	HLA21-2-90	2/0 STR	4/0 STR	150	200	2	1	1 3/4	7/16	3/8	1	1/4
HL21-2N	HLA21-2N-45	HLA21-2N-90	2/0 STR	4/0 STR	150	200	2	1	3	9/16	5/8	1 3/4	1/4
HL30-1	HLA30-1-45	HLA30-1-90	4/0 STR	300 MCM	250	300	1	1 1/16	1 1/4	9/16	5/8	-	5/16
HL30-2	HLA30-2-45	HLA30-2-90	4/0 STR	300 MCM	250	300	2	1 3/16	2	7/16	7/16	1	5/16
HL30-2N	HLA30-2N-45	HLA30-2N-90	4/0 STR	300 MCM	250	300	2	1 1/16	3	9/16	5/8	1 3/4	5/16
HL35-1	HLA35-1-45	HLA35-1-90	250 MCM	350 MCM	250	350	1	1 3/16	1 1/4	9/16	5/8	-	5/16
HL35-2	HLA35-2-45	HLA35-2-90	250 MCM	350 MCM	250	350	2	1 3/16	2	7/16	7/16	1	5/16
HL35-2N	HLA35-2N-45	HLA35-2N-90	250 MCM	350 MCM	250	350	2	1 1/2	3	9/16	5/8	1 3/4	5/16
HL50-1	HLA50-1-45	HLA50-1-90	300 MCM	500 MCM	400	500	1	1 3/8	1 1/2	9/16	3/4	-	11/32
HL50-2	HLA50-2-45	HLA50-2-90	300 MCM	500 MCM	400	500	2	1 3/8	2	7/16	7/16	1	11/32
HL50-2N	HLA50-2N-45	HLA50-2N-90	300 MCM	500 MCM	400	500	2	1 1/2	3	9/16	5/8	1 3/4	11/32
HL50-4	HLA50-4-45	HLA50-4-90	300 MCM	500 MCM	400	500	3	2	2	7/16	7/16	1	11/32
HL50-4N	HLA50-4N-45	HLA50-4N-90	300 MCM	500 MCM	400	500	3	3	3	9/16	5/8	1 3/4	11/32
HL75-1	HLA75-1-45	HLA75-1-90	500 MCM	750 MCM	500	750	1	1 5/8	1 3/4	11/16	7/8	-	3/8
HL75-2	HLA75-2-45	HLA75-2-90	500 MCM	750 MCM	500	750	2	1 5/8	2 1/4	7/16	9/16	1 1/8	3/8
HL75-2N	HLA75-2N-45	HLA75-2N-90	500 MCM	750 MCM	500	750	2	1 5/8	3	9/16	5/8	1 3/4	3/8
HL75-4	HLA75-4-45	HLA75-4-90	500 MCM	750 MCM	500	750	3	2 1/4	2 1/4	7/16	5/8	1	3/8
HL75-4N	HLA75-4N-45	HLA75-4N-90	500 MCM	750 MCM	500	750	3	3	3	9/16	5/8	1 3/4	3/8
HL100-1	HLA100-1-45	HLA100-1-90	750 MCM	1000 MCM	800	1000	1	1 7/8	1 7/8	11/16	15/16	-	1/2
HL100-2	HLA100-2-45	HLA100-2-90	750 MCM	1000 MCM	800	1000	2	1 7/8	2 1/2	9/16	5/8	1 1/4	1/2
HL100-2N	HLA100-2N-45	HLA100-2N-90	750 MCM	1000 MCM	800	1000	2	1 7/8	3	9/16	5/8	1 3/4	1/2
HL100-4	HLA100-4-45	HLA100-4-90	750 MCM	1000 MCM	800	1000	3	2 1/2	2 1/2	7/16	5/8	1 1/4	1/2
HL100-4N	HLA100-4N-45	HLA100-4N-90	750 MCM	1000 MCM	800	1000	3	3	3	9/16	5/8	1 3/4	1/2
HL150-1	HLA150-1-45	HLA150-1-90	1000 MCM	1500 MCM	1300	1300	1	2 3/16	2 1/8	13/16	1 1/16	-	9/16
HL150-2	HLA150-2-45	HLA150-2-90	1000 MCM	1500 MCM	1300	1300	2	2 3/16	2 5/8	9/16	5/8	1 3/8	9/16
HL150-2N	HLA150-2N-45	HLA150-2N-90	1000 MCM	1500 MCM	1300	1300	2	2 3/16	3	9/16	5/8	1 3/4	9/16
HL150-4	HLA150-4-45	HLA150-4-90	1000 MCM	1500 MCM	1300	1300	3	2 1/2	2 5/8	9/16	5/8	1 3/8	9/16
HL150-4N	HLA150-4N-45	HLA150-4N-90	1000 MCM	1500 MCM	1300	1300	3	3	3	9/16	5/8	1 3/4	9/16
HL200-1	HLA200-1-45	HLA200-1-90	1500 MCM	2000 MCM	1500	2000	1	2 1/2	2 3/8	13/16	1 1/4	-	5/8
HL200-2	HLA200-2-45	HLA200-2-90	1500 MCM	2000 MCM	1500	2000	2	2 1/2	2 3/4	9/16	5/8	1 1/2	5/8
HL200-2N	HLA200-2N-45	HLA200-2N-90	1500 MCM	2000 MCM	1500	2000	2	2 1/2	3	9/16	5/8	1 3/4	5/8
HL200-4	HLA200-4-45	HLA200-4-90	1500 MCM	2000 MCM	1500	2000	3	2 5/8	2 3/4	9/16	5/8	1 1/2	5/8
HL200-4N	HLA200-4N-45	HLA200-4N-90	1500 MCM	2000 MCM	1500	2000	3	3	3	9/16	5/8	1 3/4	5/8

Bronze Terminals, Taps

DOSSERT®

TYPE HL, H2L, H3L, H4L

Copper Set Screw Terminal. HL is a single conductor Herculon Connector, H2L is a two conductor HERCULON™ Connector, H3L is a three conductor Herculon Connector, and H4L is a four conductor Herculon Connector. HL-A has a set screw instead of the hex bolt.

The HERCULON™ Lug is designed for quick and efficient installation. Its compact rigid structure makes it especially adaptable for assembly in inaccessible quarters. A high compressive clamping force on the cable conductors plus the additional gripping action of special serrated bearing areas makes for high electrical contact efficiency and pull out strength.

Material

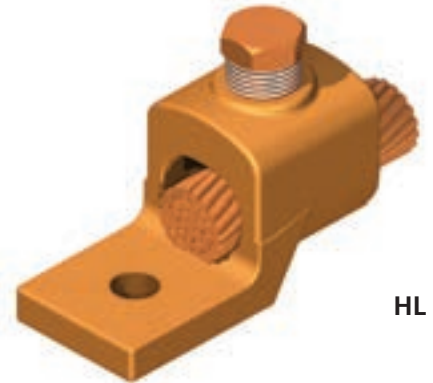
Copper Alloy

Hardware

Everdur pressure bolt

Notes

- For a 2 conductor, 4N NEMA pad, and 750 MCM cable order H2L75-4N
- For a 3 conductor, 4N NEMA pad, 750 MCM cable, and cap screw order H3L75-4NA
- For a 4 conductor, 4N NEMA pad, and 750 MCM cable order H4L75-4N
- For angled terminals add angle to end of catalog number. Example: H4L1-1-45



HL

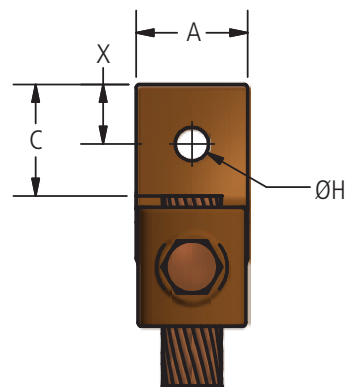
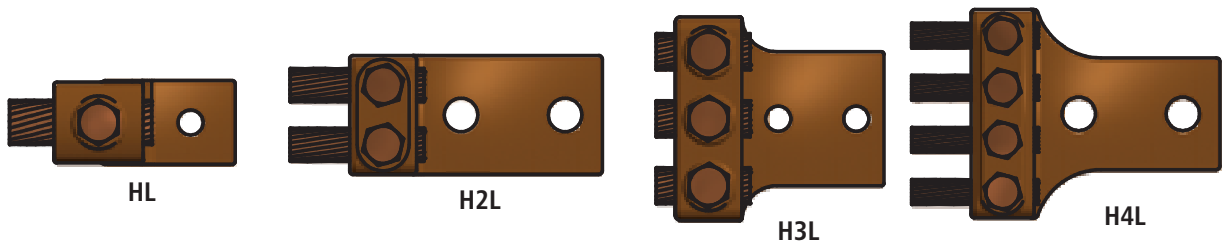


FIG. 1

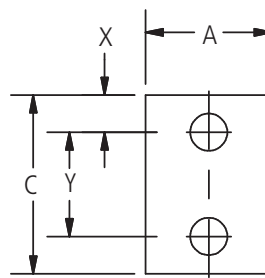


FIG. 2

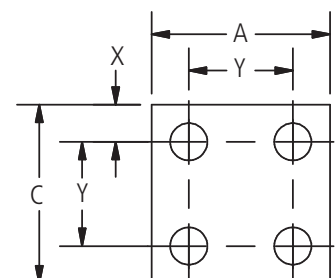


FIG. 3

DOSSERT®

TYPE HL, H2L, H3L, H4L

Copper Set Screw Terminal. HL is a single conductor Herculon Connector, H2L is a two conductor HERCULON™ Connector, H3L is a three conductor Herculon Connector, and H4L is a four conductor Herculon Connector. HL-A has a set screw instead of the hex bolt.

Ordering Information

CATALOG NUMBER				COMMERCIAL CABLE SIZE		NAVY CABLE SIZE		FIG. NO.	DIMENSIONS IN INCHES					
ONE CABLE	TWO CABLES	THREE CABLES	FOUR CABLES	MIN	MAX	MIN	MAX		A	C	H	X	Y	T
HL1-1	H2L1-1	H3L1-1	H4L1-1	14 SOL	8 STR	4	14	1	1/2	5/8	7/32	5/16	-	3/16
HL1-2	H2L1-2	H3L1-2	H4L1-2	14 SOL	8 STR	4	14	2	1/2	1 1/4	7/32	5/16	5/8	3/16
HL4-1	H2L4-1	H3L4-1	H4L4-1	8 SOL	4 STR	23	40	1	1/2	5/8	9/32	5/16	-	3/16
HL4-2	H2L4-2	H3L4-2	H4L4-2	8 SOL	4 STR	23	40	2	1/2	1 1/4	9/32	5/16	5/8	3/16
HL8-1	H2L8-1	H3L8-1	H4L8-1	4 SOL	1 STR	50	75	1	11/16	11/16	9/32	11/32	-	7/32
HL8-2	H2L8-2	H3L8-2	H4L8-2	4 SOL	1 STR	50	75	2	11/16	1 3/8	9/32	5/16	3/4	7/32
HL13-1	H2L13-1	H3L13-1	H4L13-1	1 STR	2/0 STR	100	125	1	13/16	7/8	7/16	7/16	-	7/32
HL13-2	H2L13-2	H3L13-2	H4L13-2	1 STR	2/0 STR	100	125	2	13/16	1 3/4	11/32	3/8	1	7/32
HL21-1	H2L21-1	H3L21-1	H4L21-1	2/0 STR	4/0 STR	150	200	1	1	1	7/16	1/2	-	1/4
HL21-2	H2L21-2	H3L21-2	H4L21-2	2/0 STR	4/0 STR	150	200	2	1	1 3/4	7/16	3/8	1	1/4
HL21-2N	H2L21-2N	H3L21-2N	H4L21-2N	2/0 STR	4/0 STR	150	200	2	1	3	9/16	5/8	1 3/4	1/4
HL30-1	H2L30-1	H3L30-1	H4L30-1	4/0 STR	300 MCM	250	300	1	1 1/16	1 1/4	9/16	5/8	-	5/16
HL30-2	H2L30-2	H3L30-2	H4L30-2	4/0 STR	300 MCM	250	300	2	1 1/16	2	7/16	7/16	1	5/16
HL30-2N	H2L30-2N	H3L30-2N	H4L30-2N	4/0 STR	300 MCM	250	300	2	1 1/16	3	9/16	5/8	1 3/4	5/16
HL35-1	H2L35-1	H3L35-1	H4L35-1	250 MCM	350 MCM	250	350	1	1 1/8	1 1/4	9/16	5/8	-	5/16
HL35-2	H2L35-2	H3L35-2	H4L35-2	250 MCM	350 MCM	250	350	2	1 1/8	2	7/16	7/16	1	5/16
HL35-2N	H2L35-2N	H3L35-2N	H4L35-2N	250 MCM	350 MCM	250	350	2	1 1/8	3	9/16	5/8	1 3/4	5/16
HL50-1	H2L50-1	H3L50-1	H4L50-1	300 MCM	500 MCM	400	500	1	1 3/8	1 3/8	9/16	11/16	-	11/32
HL50-2	H2L50-2	H3L50-2	H4L50-2	300 MCM	500 MCM	400	500	2	1 3/8	2	7/16	7/16	1	11/32
HL50-2N	H2L50-2N	H3L50-2N	H4L50-2N	300 MCM	500 MCM	400	500	2	1 3/8	3	9/16	5/8	1 3/4	11/32
HL50-4	H2L50-4	H3L50-4	H4L50-4	300 MCM	500 MCM	400	500	3	2	2	7/16	7/16	1	11/32
HL50-4N	H2L50-4N	H3L50-4N	H4L50-4N	300 MCM	500 MCM	400	500	3	3	3	9/16	5/8	1 3/4	11/32
HL75-1	H2L75-1	H3L75-1	H4L75-1	500 MCM	750 MCM	500	750	1	1 5/8	1 3/4	11/16	7/8	-	3/8
HL75-2	H2L75-2	H3L75-2	H4L75-2	500 MCM	750 MCM	500	750	2	1 5/8	2 1/4	9/16	9/16	1 1/8	3/8
HL75-2N	H2L75-2N	H3L75-2N	H4L75-2N	500 MCM	750 MCM	500	750	2	1 5/8	3	9/16	5/8	1 3/4	3/8
HL75-4	H2L75-4	H3L75-4	H4L75-4	500 MCM	750 MCM	500	750	3	2 1/4	2 1/4	7/16	5/8	1	3/8
HL75-4N	H2L75-4N	H3L75-4N	H4L75-4N	500 MCM	750 MCM	500	750	3	3	3	9/16	5/8	1 3/4	3/8
HL100-1	H2L100-1	H3L100-1	H4L100-1	750 MCM	1000 MCM	800	1000	1	1 7/8	1 7/8	11/16	15/16	-	1/2
HL100-2	H2L100-2	H3L100-2	H4L100-2	750 MCM	1000 MCM	800	1000	2	1 7/8	2 1/2	9/16	5/8	1 1/4	1/2
HL100-2N	H2L100-2N	H3L100-2N	H4L100-2N	750 MCM	1000 MCM	800	1000	2	1 7/8	3	9/16	5/8	1 3/4	1/2
HL100-4	H2L100-4	H3L100-4	H4L100-4	750 MCM	1000 MCM	800	1000	3	2 1/2	2 1/2	7/16	5/8	1 1/4	1/2
HL100-4N	H2L100-4N	H3L100-4N	H4L100-4N	750 MCM	1000 MCM	800	1000	3	3	3	9/16	5/8	1 3/4	1/2
HL150-1	H2L150-1	H3L150-1	H4L150-1	1000 MCM	1500 MCM	1300	1300	1	2 3/16	2 1/8	13/16	1 1/16	-	9/16
HL150-2	H2L150-2	H3L150-2	H4L150-2	1000 MCM	1500 MCM	1300	1300	2	2 3/16	2 5/8	9/16	5/8	1 3/8	9/16
HL150-2N	H2L150-2N	H3L150-2N	H4L150-2N	1000 MCM	1500 MCM	1300	1300	2	2 3/16	3	9/16	5/8	1 3/4	9/16
HL150-4	H2L150-4	H3L150-4	H4L150-4	1000 MCM	1500 MCM	1300	1300	3	2 1/2	2 5/8	9/16	5/8	1 3/8	1/2
HL150-4N	H2L150-4N	H3L150-4N	H4L150-4N	1000 MCM	1500 MCM	1300	1300	3	3	3	9/16	5/8	1 3/4	1/2
HL200-1	H2L200-1	H3L200-1	H4L200-1	1600 MCM	2000 MCM	1600	2000	1	2 1/2	2 3/8	13/16	13/16	-	5/8
HL200-2	H2L200-2	H3L200-2	H4L200-2	1600 MCM	2000 MCM	1600	2000	2	2 1/2	2 3/4	9/16	5/8	1 1/2	5/8
HL200-2N	H2L200-2N	H3L200-2N	H4L200-2N	1600 MCM	2000 MCM	1600	2000	2	2 1/2	3	9/16	5/8	1 3/4	5/8
HL200-4	H2L200-4	H3L200-4	H4L200-4	1600 MCM	2000 MCM	1600	2000	3	2 5/8	2 3/4	9/16	5/8	1 1/2	5/8
HL200-4N	H2L200-4N	H3L200-4N	H4L200-4N	1600 MCM	2000 MCM	1600	2000	3	3	3	9/16	5/8	1 3/4	5/8

Bronze Terminals, Taps

DOSSERT® TYPE HLB, H2LB

A side entrance HERCULON™ variable type terminal for connecting wire or cable at right angles to terminal bar. Easily installed with any ordinary wrench. Serrated pressure bar confines conductor making for high contact efficiency. Its rugged design permits it to be re-used over and over. H2LB is for connecting two cables at right angle to terminal bar.

Material

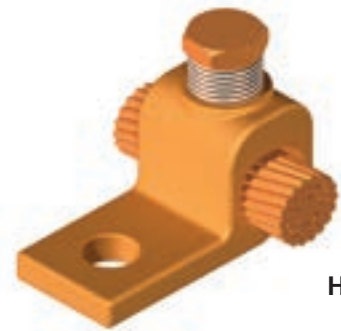
Copper Alloy

Hardware

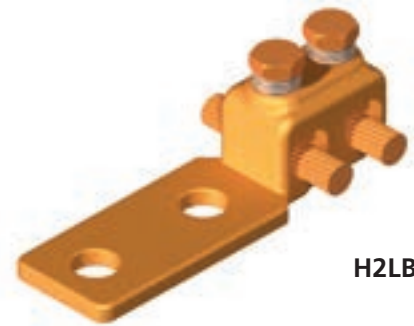
Everdur pressure bolt

Note

For two 500 MCM to 4 hole 3" NEMA pad order: H2LB50-4N

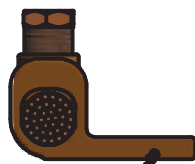


HLB



H2LB

Bronze Terminals, Taps



HLB



H2LB

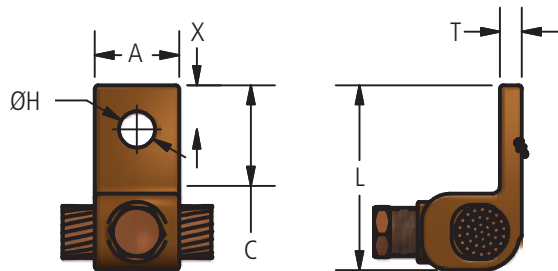


FIG. 1

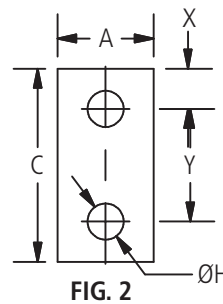


FIG. 2

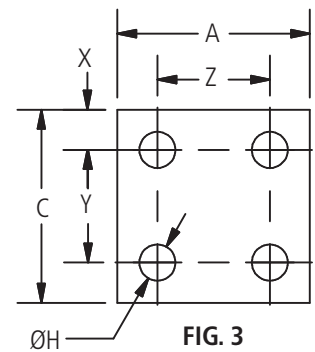


FIG. 3

DOSSERT® TYPE HLB, H2LB

Ordering Information

CATALOG NUMBER		CABLE SIZE		FIG. NO.	DIMENSIONS IN INCHES							
ONE CABLE	TWO CABLES	MINIMUM	MAXIMUM		A	C	H	L	X	Y	Z	T
HLB4-1	H2LB4-1	8 SOL	4 STR	1	1/2	5/8	9/32	1 1/4	5/16	-	-	3/16
HLB4-2	H2LB4-2	8 SOL	4 STR	2	1/2	1 1/4	9/32	1 7/8	5/16	5/8	-	3/16
HLB8-1	H2LB8-1	4 SOL	1 STR	1	11/16	11/16	9/32	1 9/16	11/32	-	-	7/32
HLB8-2	H2LB8-2	4 SOL	1 STR	2	11/16	1 3/8	9/32	2 1/4	5/16	3/4	-	7/32
HLB13-1	H2LB13-1	1 STR	2/0 STR	1	13/16	7/8	7/16	1 7/8	7/16	-	-	7/32
HLB13-2	H2LB13-2	1 STR	2/0 STR	2	13/16	1 5/8	11/32	2 5/8	3/8	7/8	-	7/32
HLB21-1	H2LB21-1	2/0 STR	4/0 STR	1	1	1	7/16	2 1/4	1/2	-	-	1/4
HLB21-2	H2LB21-2	2/0 STR	4/0 STR	2	1	1 3/4	7/16	3	3/8	1	-	1/4
HLB21-2N	H2LB21-2N	2/0 STR	4/0 STR	2	1 1/2	3	9/16	4 1/4	5/8	1 3/4	-	1/4
HLB30-1	H2LB30-1	4/0 STR	300 MCM	1	1 3/16	1 1/4	9/16	2 5/8	5/8	-	-	5/16
HLB30-2	H2LB30-2	4/0 STR	300 MCM	2	1 3/16	2	7/16	3 3/8	7/16	1	-	5/16
HLB30-2N	H2LB30-2N	4/0 STR	300 MCM	2	1 1/2	3	9/16	4 1/2	5/8	1 3/4	-	5/16
HLB35-1	H2LB35-1	250 MCM	350 MCM	1	1 3/16	1 1/4	9/16	2 5/8	5/8	-	-	5/16
HLB35-2	H2LB35-2	250 MCM	350 MCM	2	1 3/16	2	7/16	3 3/8	7/16	1	-	5/16
HLB35-2N	H2LB35-2N	250 MCM	350 MCM	2	1 1/2	3	9/16	4 1/2	5/8	1 3/4	-	5/16
HLB50-1	H2LB50-1	300 MCM	500 MCM	1	1 3/8	1 3/8	9/16	3	11/16	-	-	11/32
HLB50-2	H2LB50-2	300 MCM	500 MCM	2	1 3/8	2	7/16	3 9/16	7/16	1	-	11/32
HLB50-2N	H2LB50-2N	300 MCM	500 MCM	2	1 1/2	3	9/16	4 5/8	5/8	1 3/4	-	11/32
HLB50-4	H2LB50-4	300 MCM	500 MCM	3	2	2	7/16	3 9/16	7/16	1	1	11/32
HLB50-4N	H2LB50-4N	300 MCM	500 MCM	3	3	3	9/16	4 5/8	5/8	1 3/4	1 3/4	11/32
HLB75-1	H2LB75-1	500 MCM	750 MCM	1	1 5/8	1 3/4	11/16	3 5/8	7/8	-	-	3/8
HLB75-2	H2LB75-2	500 MCM	750 MCM	2	1 5/8	2 1/4	9/16	4 1/8	9/16	1 1/8	-	3/8
HLB75-2N	H2LB75-2N	500 MCM	750 MCM	2	1 5/8	3	9/16	4 7/8	5/8	1 3/4	-	3/8
HLB75-4	H2LB75-4	500 MCM	750 MCM	3	2 1/4	2 1/4	7/16	4 1/8	5/8	1	1	3/8
HLB75-4N	H2LB75-4N	500 MCM	750 MCM	3	3	3	9/16	4 7/8	5/8	1 3/4	1 3/4	3/8
HLB100-1	H2LB100-1	750 MCM	1000 MCM	1	1 7/8	1 7/8	11/16	4 1/8	15/16	-	-	1/2
HLB100-2	H2LB100-2	750 MCM	1000 MCM	2	1 7/8	2 1/2	9/16	4 5/8	5/8	1 1/4	-	1/2
HLB100-2N	H2LB100-2N	750 MCM	1000 MCM	2	1 7/8	3	9/16	4 7/8	5/8	1 3/4	-	1/2
HLB100-4	H2LB100-4	750 MCM	1000 MCM	3	2 1/2	2 1/2	7/16	4 5/8	5/8	1 1/4	1 1/4	1/2
HLB100-4N	H2LB100-4N	750 MCM	1000 MCM	3	3	3	9/16	4 7/8	5/8	1 3/4	1 3/4	1/2
HLB150-1	H2LB150-1	1000 MCM	1500 MCM	1	2 1/8	2 1/8	13/16	4 1/2	1 1/16	-	-	9/16
HLB150-2	H2LB150-2	1000 MCM	1500 MCM	2	2 1/8	2 5/8	9/16	4 3/4	5/8	1 3/8	-	9/16
HLB150-2N	HLB150-2N	1000 MCM	1500 MCM	2	2 1/8	3	9/16	4 7/8	5/8	1 3/4	-	9/16
HLB150-4	H2LB150-4	1000 MCM	1500 MCM	3	2 5/8	2 5/8	9/16	4 3/4	5/8	1 3/8	1 3/8	9/16
HLB150-4N	H2LB150-4N	1000 MCM	1500 MCM	3	3	3	9/16	4 7/8	5/8	1 3/4	1 3/4	9/16

DOSSERT®

TYPE HLS, HLSC

Copper Terminal for Cable to Stud Posts

An efficient and easy to install variable type terminal for connecting wires or cables to studposts of electrical equipment. The wire or cable connector is securely clamped in position by merely tightening the pressure screw. The full bearing length of cable is clamped by means of an internal pressure pad curved to fit the conductor.

Material

Copper Alloy

Hardware

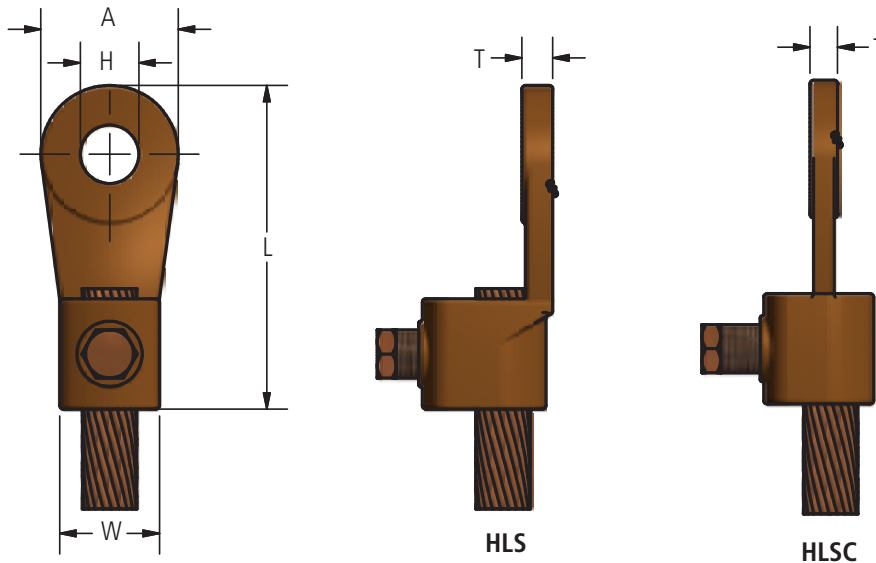
Everdur pressure bolt



HLS



HLSC



HLS

HLSC

Ordering Information

CATALOG NUMBER		CABLE SIZE		STUD DIA.	DIMENSIONS IN INCHES				
HLS	HLSC	MIN	MAX		A	H	L	T	W
HLS1-25	HLSC1-25	14 SOL	8 STR	1/4	3/4	9/32	1 1/2	3/16	15/32
HLS4-25	HLSC4-25	8 SOL	4 STR	1/4	3/4	9/32	1 9/16	1/4	1/2
HLS8-25	HLSC8-25	4 SOL	1 STR	1/4	3/4	9/32	1 11/16	9/32	11/16
HLS1-38	HLSC1-38	14 SOL	8 STR	3/8	1	13/32	1 3/4	3/16	15/32
HLS4-38	HLSC4-38	8 SOL	4 STR	3/8	1	13/32	1 13/16	1/4	1/2
HLS8-38	HLSC8-38	4 SOL	1 STR	3/8	1	13/32	1 15/16	9/32	11/16
HLS8-50	HLSC8-50	4 SOL	1 STR	1/2	1 1/4	17/32	2 3/16	1/4	11/16
HLS13-50	HLSC13-50	1 STR	2/0 STR	1/2	1 1/4	17/32	2 7/16	9/32	13/16
HLS21-50	HLSC21-50	2/0 STR	4/0 STR	1/2	1 1/4	17/32	2 11/16	5/16	1
HLS30-63	HLSC30-63	4/0 STR	300 MCM	5/8	1 1/2	21/32	3 3/16	3/8	1 3/16
HLS35-63	HLSC35-63	250 MCM	350 MCM	5/8	1 1/2	21/32	3 1/4	3/8	1 1/4
HLS50-63	HLSC50-63	300 MCM	500 MCM	5/8	1 1/2	21/32	3 1/4	3/8	1 11/32
HLS75-63	HLSC75-63	500 MCM	750 MCM	5/8	1 1/2	21/32	3 1/2	7/16	1 19/32
HLS30-75	HLSC30-75	4/0 STR	300 MCM	3/4	1 7/8	25/32	3 9/16	3/8	1 3/16
HLS35-75	HLSC35-75	250 MCM	350 MCM	3/4	1 7/8	25/32	3 5/8	3/8	1 1/4
HLS50-75	HLSC50-75	300 MCM	500 MCM	3/4	1 7/8	25/32	3 5/8	3/8	1 11/32
HLS75-75	HLSC75-75	500 MCM	750 MCM	3/4	1 7/8	25/32	3 7/8	7/16	1 19/32
HLS50-100	HLSC50-100	300 MCM	500 MCM	1	2 1/2	1.03125	4 1/4	3/8	1 11/32
HLS75-100	HLSC75-100	500 MCM	750 MCM	1	2 1/2	1.03125	4 1/2	7/16	1 19/32
HLS100-100	HLSC100-100	750 MCM	1000 MCM	1	2 1/2	1.03125	4 13/16	1/2	1 15/16

DOSSERT®

TYPE PFTS Pipe To Flat Bar Tee Connector

A tee connector for joining a single bar tap conductor to a tubular bus run. Made of high conductivity cast copper alloy.

Material

Copper Alloy

Hardware

Everdur bolts, nuts, and lockwashers.

Notes

- For finish on both surfaces, add suffix "F" to end of catalog number.
EX: PFTS100-1-2NF
- For tin plating add suffix "-SN" to end of catalog number. EX: PFTS100-1-2N-SN

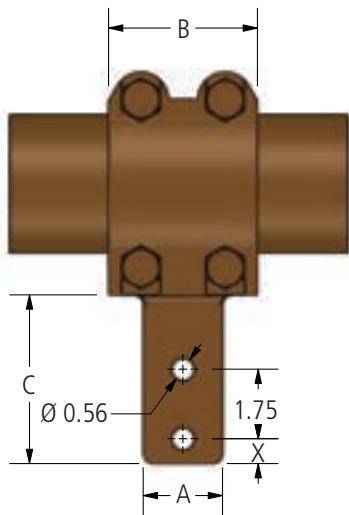


FIG. 1

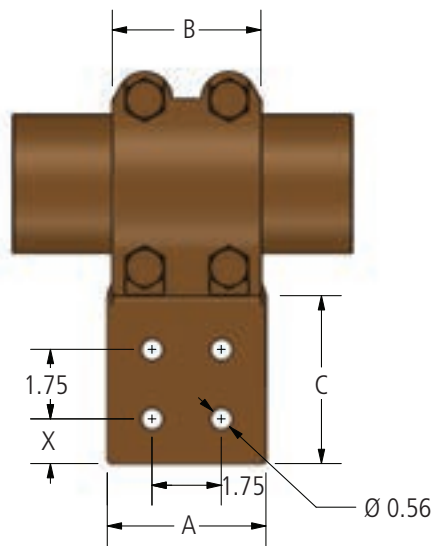


FIG. 2

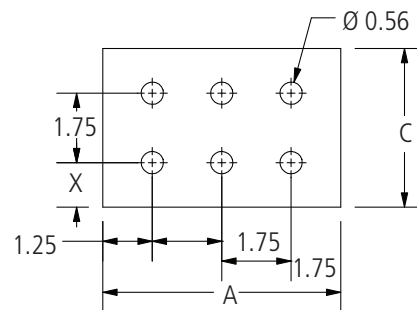
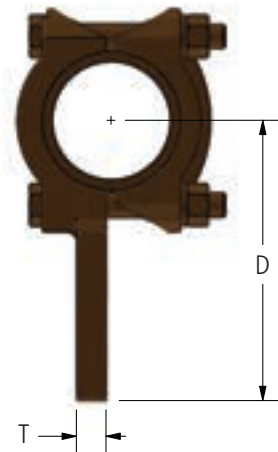


FIG. 3



DOSSERT®

**TYPE PFTS
Pipe To Flat Bar Tee Connector**

Ordering Information

CATALOG NUMBER	SPS	FIG. NO.	DIMENSIONS IN INCHES						BOLT SIZE
			A	B	C	D	T	X	
PFTS75-1-2N	3/4	1	2.00	2.00	3.00	4.63	0.38	0.63	1/2
PFTS75-1-3N	3/4	2	3.00	2.00	3.00	4.50	0.31	0.63	3/8
PFTS100-1-2N	1	1	2.00	2.13	3.00	4.63	0.38	0.63	1/2
PFTS100-1-3N	1	2	3.00	2.13	3.00	4.81	0.38	0.63	1/2
PFTS100-1-4N	1	2	4.00	2.13	3.00	4.81	0.38	0.63	1/2
PFTS125-1-2N	1 1/4	1	2.00	2.50	3.00	4.94	0.50	0.63	1/2
PFTS125-1-3N	1 1/4	2	3.00	2.50	3.00	4.94	0.50	0.63	1/2
PFTS125-1-4N	1 1/4	2	4.00	2.50	3.00	4.94	0.50	0.63	1/2
PFTS150-1-2N	1 1/2	1	2.00	2.63	3.00	5.06	0.50	0.63	1/2
PFTS150-1-3N	1 1/2	2	3.00	2.63	3.00	5.06	0.50	0.63	1/2
PFTS150-1-4N4	1 1/2	2	4.00	2.63	4.00	6.06	0.50	1.13	1/2
PFTS150-1-4N	1 1/2	2	4.00	2.63	3.00	5.06	0.50	0.63	1/2
PFTS200-1-2N	2	1	2.00	2.75	3.00	5.31	0.63	0.63	1/2
PFTS200-1-3N	2	2	3.00	2.75	3.00	5.31	0.63	0.63	1/2
PFTS200-1-4N4	2	2	4.00	2.75	4.00	6.31	0.63	1.13	1/2
PFTS200-1-4N	2	2	4.00	2.75	3.00	5.31	0.63	0.63	1/2
PFTS250-1-2N	2 1/2	1	2.00	2.75	3.00	5.56	0.63	0.63	1/2
PFTS250-1-3N	2 1/2	2	3.00	2.75	3.00	5.56	0.50	0.63	1/2
PFTS250-1-4N4	2 1/2	2	4.00	2.75	4.00	6.31	0.75	1.13	1/2
PFTS250-1-4N	2 1/2	2	4.00	2.75	3.00	5.56	0.75	0.63	1/2
PFTS300-1-2N	3	1	2.00	3.25	3.00	6.06	0.75	0.63	5/8
PFTS300-1-3N	3	2	3.00	3.25	3.00	6.06	0.75	0.63	5/8
PFTS300-1-4N4	3	2	4.00	3.25	4.00	7.06	0.75	1.13	5/8
PFTS300-1-4N	3	2	4.00	3.25	3.00	6.06	0.75	0.63	5/8
PFTS300-1-6N4	3	3	6.00	3.25	4.00	7.06	0.75	1.13	5/8
PFTS350-1-2N	3 1/2	1	2.00	3.25	3.25	6.31	0.88	0.63	5/8
PFTS350-1-3N	3 1/2	2	3.00	3.25	3.00	6.31	0.88	0.63	5/8
PFTS350-1-4N4	3 1/2	2	4.00	3.25	4.00	7.31	0.88	1.13	5/8
PFTS350-1-4N	3 1/2	2	4.00	3.25	3.00	6.31	0.88	0.63	5/8
PFTS400-1-3N	4	2	3.00	3.25	3.00	6.56	0.88	0.63	5/8
PFTS400-1-4N4	4	2	4.00	3.25	4.00	7.56	0.88	1.13	5/8
PFTS400-1-4N	4	2	4.00	3.25	3.00	6.56	0.88	0.63	5/8
PFTS500-1-3N	5	2	3.00	3.75	3.00	7.13	1.00	0.63	5/8
PFTS500-1-4N4	5	2	4.00	3.75	4.00	8.13	1.00	1.13	5/8
PFTS500-1-4N	5	2	4.00	3.75	3.00	7.13	1.00	0.63	5/8
PFTS500-1-6N4	5	3	6.00	3.75	4.00	8.13	1.00	1.13	5/8
PFTS500R-1-4N4	5 OD	2	4.00	3.25	4.00	7.81	1.00	1.13	5/8
PFTS600-1-4N4	6	2	4.00	5.75	4.00	8.75	1.25	1.13	5/8

DOSSERT®

TYPE Q2LB

Copper Compact Two Conductor Variable Angle Terminal

A double conductor compact terminal lug which accepts wide range of cable and various angular settings. Extremely useful for small clearance application.



Material

Copper Alloy

Hardware

Everdur nuts and lockwashers.

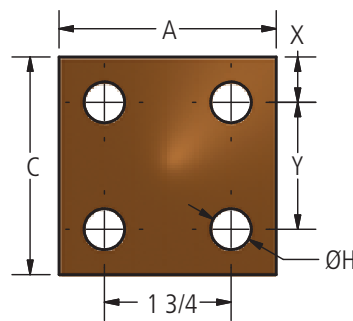
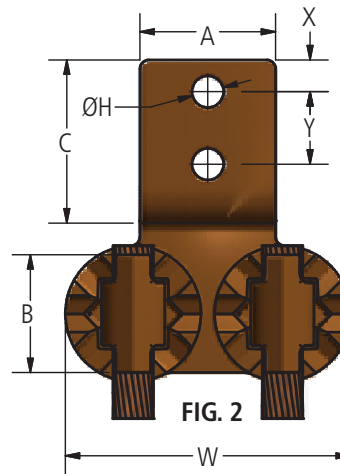
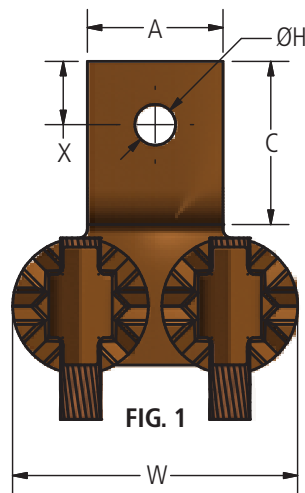
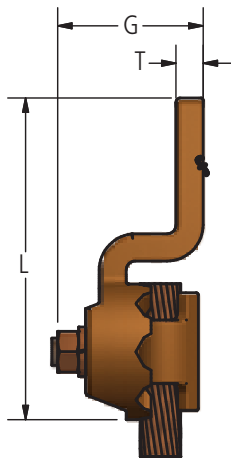


FIG. 3

Ordering Information

CATALOG NUMBER	CABLE RANGE		FIG. NO.	DIMENSIONS IN INCHES									
	MIN	MAX		A	B	C	G	H	L	T	W	X	Y
Q2LB6-1	8 SOL.	2 STR.	1	1 1/4	1 1/16	13/16	1 3/8	7/16	2 1/2	1/4	2 5/16	13/32	-
Q2LB21-1	1/0 STR	4/0 STR.	1	1 7/8	1 7/8	1 3/4	2 1/4	9/16	4 5/16	3/8	3 15/16	7/8	-
Q2LB21-2	1/0 STR	4/0 STR.	2	1 7/8	1 7/8	1 7/8	2 1/4	7/16	4 7/16	3/8	3 15/16	7/16	-
Q2LB21-4	1/0 STR	4/0 STR.	3	2	1 7/8	2	2 1/4	7/16	4 3/8	5/16	3 15/16	1/2	-
Q2LB50-2	1/0 STOL	500 MCM	2	2 1/2	2 3/16	1 7/8	2 5/8	7/16	4 5/8	3/8	4 1/4	7/16	-
Q2LB50-4N	250 MCM	500 MCM	3	3	1 15/16	3	2 5/8	9/16	6 3/4	3/8	4 3/16	5/8	1 3/4
Q2LB75-2	350 MCM	750 MCM	2	3	2 1/4	2	3 1/4	9/16	6 5/8	3/8	5 1/8	7/16	1 1/8
Q2LB80-4	500 MCM	800 MCM	3	3	2 5/16	1 7/8	3 3/8	7/16	6 5/16	3/8	5 1/8	7/16	-
Q2LB100-4N	500 MCM	1000 MCM	3	3	2 5/8	3	3 3/8	9/16	6 3/4	1/2	5 5/8	5/8	1 3/4

DOSSERT® TYPE QLB, QLLB

Copper Variable Entrance Angle Terminal

An extremely versatile terminal which will accept a wide range of conductor sizes. Connector is constructed so as to allow cable entrance from various angles and to provide strong clamping pressure at points of contact.

Material

Copper Alloy

Hardware

Everdur bolts, nuts and lockwashers

Notes

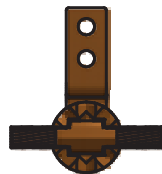
- Contact pads furnished to any specification of drilled or undrilled hole size and spacing.
- For one cable variable terminal for a 500mcm cable, only one "L" should be placed in the catalog number, EX: QLB50-4N
- For two cable variable terminal for a 500mcm cable, place two "L"s in the catalog number, EX: QLLB50-4N
- For tin plating add suffix "-SN" to end of catalog number, EX: QLLB50-4N-SN



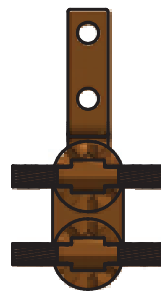
QLB



QLLB



QLB



QLLB

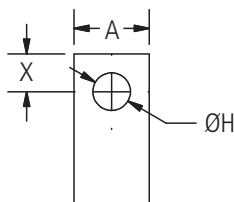


FIG. 1

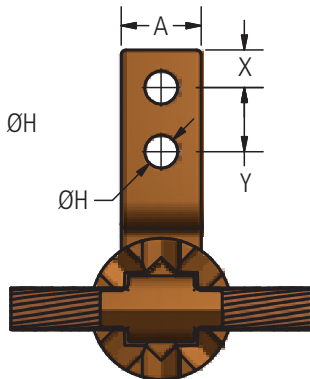


FIG. 2

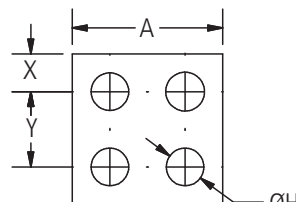
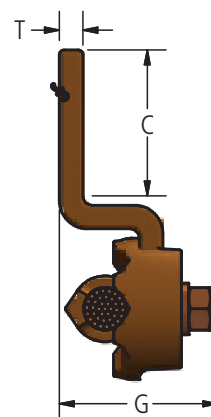


FIG. 3



DOSSERT®

TYPE QLB, QLLB

Copper Variable Entrance Angle Terminal

Ordering Information

CATALOG NUMBER		CABLE RANGE		FIG. NO.	DIMENSIONS IN INCHES							
QLB	QLLB	MIN	MAX		A	C	G	H	T	X	Y	Z
QLB6-1	QLLB6-1	#8 SOL	#2 STR	1	13/16	7/8	1 3/8	7/16	1/4	13/32	-	-
QLB6-2	QLLB6-2	#8 SOL	#2 STR	2	3/4	1 1/2	1 3/8	11/32	1/4	3/8	3/4	-
QLB10-1	QLLB10-1	#2 STR	1/0 STR	1	7/8	7/8	1 1/2	7/16	1/4	7/16	-	-
QLB10-2	QLLB10-2	#2 STR	1/0 STR	2	7/8	1 5/8	1 1/2	11/32	1/4	11/32	7/8	-
QLB21-1	QLLB21-1	1/0 STR	4/0 STR	1	1 1/16	1 1/8	1 3/4	7/16	5/16	17/32	-	-
QLB21-2	QLLB21-2	1/0 STR	4/0 STR	2	1 1/16	1 7/8	1 3/4	7/16	5/16	13/32	1	-
QLB21-2N	QLLB21-2N	1/0 STR	4/0 STR	2	1 1/16	3	1 3/4	9/16	5/16	5/8	1 3/4	-
QLB50-1	QLLB50-1	250 MCM	500 MCM	1	1 3/8	1 1/2	2 1/4	9/16	3/8	3/4	-	-
QLB50-2	QLLB50-2	250 MCM	500 MCM	2	1 3/8	1 7/8	2 1/4	7/16	3/8	7/16	1	-
QLB50-2N	QLLB50-2N	250 MCM	500 MCM	2	1 3/8	3	2 1/4	9/16	3/8	5/8	1 3/4	-
QLB50-4	QLLB50-4	250 MCM	500 MCM	3	1 7/8	1 7/8	2 1/4	7/16	3/8	7/16	1	1
QLB50-4N	QLLB50-4N	250 MCM	500 MCM	3	3	3	2 1/4	9/16	3/8	5/8	1 3/4	1 3/4
QLB80-1	QLLB80-1	500 MCM	800 MCM	1	1 5/8	1 5/8	2 3/4	11/16	3/8	7/8	-	-
QLB80-2	QLLB80-2	500 MCM	800 MCM	2	1 5/8	2	2 3/4	7/16	3/8	7/16	1 1/8	-
QLB80-2N	QLLB80-2N	500 MCM	800 MCM	2	1 5/8	3	2 3/4	9/16	3/8	5/8	1 3/4	-
QLB80-4	QLLB80-4	500 MCM	800 MCM	3	1 7/8	2	2 3/4	7/16	3/8	7/16	1	1
QLB80-4N	QLLB80-4N	500 MCM	800 MCM	3	3	3	2 3/4	9/16	3/8	5/8	1 3/4	1 3/4
QLB100-1	QLLB100-1	750 MCM	1000 MCM	1	1 7/8	2	2 7/8	11/16	1/2	1	-	-
QLB100-2	QLLB100-2	750 MCM	1000 MCM	2	1 7/8	2 3/8	2 7/8	7/16	1/2	9/16	1 1/4	-
QLB100-2N	QLLB100-2N	750 MCM	1000 MCM	2	1 7/8	3	2 7/8	9/16	1/2	5/8	1 3/4	-
QLB100-4	QLLB100-4	750 MCM	1000 MCM	3	2 1/8	2 3/8	2 7/8	7/16	1/2	1/2	1 1/8	1 1/8
QLB100-4N	QLLB100-4N	750 MCM	1000 MCM	3	3	3	2 7/8	9/16	1/2	5/8	1 3/4	1 3/4

DOSSERT®

TYPE SCB-90H, SCB-90V Copper Stud Connector To Flat Bar

A single bar connector for connecting bar conductors at right angles to a threaded or smooth stud. Furnished complete with all clamping bolts.

Material

Copper Alloy

Hardware

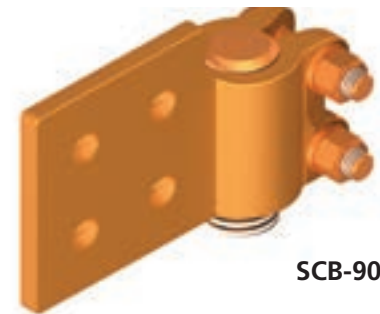
Everdur bolts, nuts and lockwashers

Note

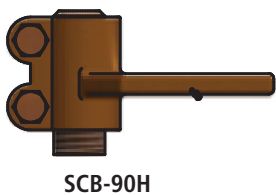
Also available for other sizes of studs and bar arrangements.



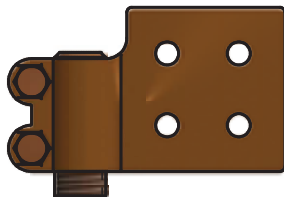
SCB-90H



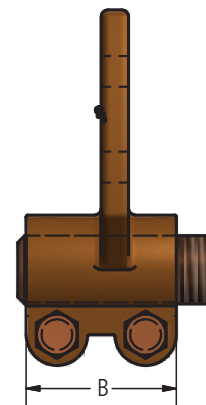
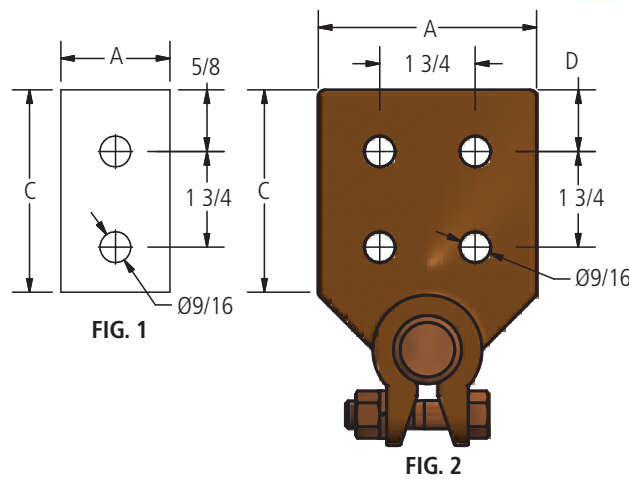
SCB-90V



SCB-90H



SCB-90V



Ordering Information

CATALOG NUMBER		STUD DIAMETER	THREADS PER INCH	FIG. NO.	DIMENSIONS IN INCHES				BOLT SIZE
SCV-90H SERIES	SCV-90V SERIES				A	B	C	D	
SCB50-1-2N-90H-T13	SCB50-1-2N-90V-T13	1/2	13	1	2	2	3	5/8	3/8
SCB50-1-3N-90H-T13	SCB50-1-3N-90V-T13	1/2	13	2	3	2	3	5/8	3/8
SCB75-1-2N-90H-T16	SCB75-1-2N-90V-T16	3/4	16	1	2	2	3	5/8	3/8
SCB75-1-3N-90H-T16	SCB75-1-3N-90V-T16	3/4	16	2	3	2	3	5/8	3/8
SCB100-1-2N-90H-T14	SCB100-1-2N-90V-T14	1	14	1	2	2	3	5/8	3/8
SCB100-1-3N-90H-T14	SCB100-1-3N-90V-T14	1	14	2	3	2 3/4	3	5/8	1/2
SCB100-1-4N-90H-T14	SCB100-1-4N-90V-T14	1	14	2	4	2 3/4	3	1 1/8	1/2
SCB112-1-2N-90H-T12	SCB112-1-2N-90V-T12	1 1/8	12	1	2	2	3	5/8	3/8
SCB112-1-3N-90H-T12	SCB112-1-3N-90V-T12	1 1/8	12	2	3	2 3/4	3	5/8	1/2
SCB112-1-4N-90H-T12	SCB112-1-4N-90V-T12	1 1/8	12	2	4	2 3/4	3	1 1/8	1/2
SCB125-1-2N-90H-T12	SCB125-1-2N-90V-T12	1 1/4	12	1	2	2	3	5/8	3/8
SCB125-1-3N-90H-T12	SCB125-1-3N-90V-T12	1 1/4	12	2	3	2 3/4	3	5/8	1/2
SCB125-1-4N-90H-T12	SCB125-1-4N-90V-T12	1 1/4	12	2	4	2 3/4	3	1 1/8	1/2
SCB150-1-2N-90H-T12	SCB150-1-2N-90V-T12	1 1/2	12	1	2	2	3	5/8	3/8
SCB150-1-3N-90H-T12	SCB150-1-3N-90V-T12	1 1/2	12	2	3	2 3/4	3	5/8	1/2
SCB150-1-4N-90H-T12	SCB150-1-4N-90V-T12	1 1/2	12	2	4	2 3/4	3	1 1/8	1/2
SCB200-1-2N-90H-T12	SCB200-1-2N-90V-T12	2	12	1	2	2	3	5/8	3/8
SCB200-1-3N-90H-T12	SCB200-1-3N-90V-T12	2	12	2	3	2 3/4	3	5/8	1/2
SCB200-1-4N-90H-T12	SCB200-1-4N-90V-T12	2	12	2	4	2 3/4	3	1 1/8	1/2

DOSSERT®

TYPE SCB-F Stud Connector to Flat Bar Type

A single or multi-bar connector for connecting one or more flat bars to a threaded or plain stud. Can be furnished to accommodate stud diameters or threads per inch other than listed below.

Material

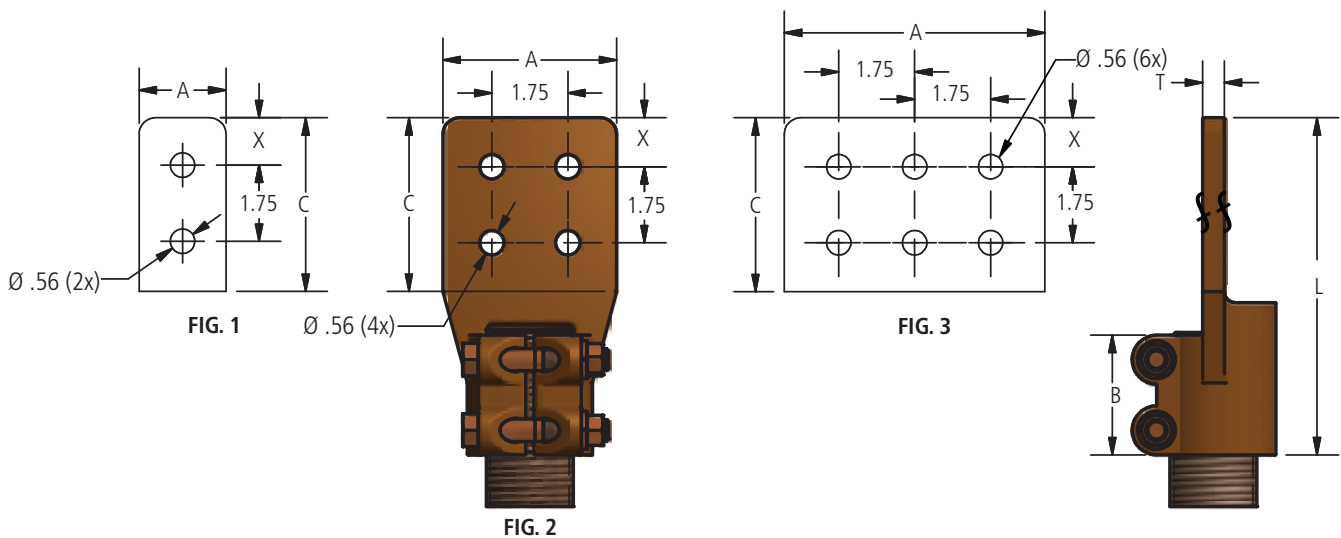
High Conductivity Cast Copper Alloy

Hardware

Everdur bolts, nuts and lockwashers

Note

For Tin Plating, add suffix "-SN" to end of catalog number. EX: SCB200-1/2F-4N4-T12-SN



Ordering Information

CATALOG NUMBER	STUD DIAMETER	THREADS PER INCH	FIG. NO.	DIMENSIONS IN INCHES					
				A	B	C	L	T	X
SCB63-1/4F-2N-T18	5/8	18	1	2	2	3	5 1/2	1/4	5/8
SCB63-1/4F-3N-T18	5/8	18	2	3	2	3	5 1/2	1/4	5/8
SCB63-1/4F-4N-T18	5/8	18	2	4	2	3	5 1/2	1/4	5/8
SCB63-1/4F-4N4-T18	5/8	18	2	4	2	4	6 1/2	1/4	1 1/8
SCB63-3/8F-2N-T18	5/8	18	1	2	2	3	5 1/2	3/8	5/8
SCB63-3/8F-2N-T11	5/8	11	1	2	2	3	5 1/2	3/8	5/8
SCB63-3/8F-3N-T18	5/8	18	2	3	2	3	5 1/2	3/8	5/8
SCB63-3/8F-3N-T11	5/8	11	2	3	2	3	5 1/2	3/8	5/8
SCB63-3/8F-3N-TM16	5/8	M16 x 2.0	2	3	2	3	5 1/2	3/8	5/8
SCB63-3/8F-4N-T18	5/8	18	2	4	2	3	5 1/2	3/8	5/8
SCB63-3/8F-4N4-T18	5/8	18	2	4	2	4	6 1/2	3/8	1 1/8
SCB75-1/4F-2N-T16	3/4	16	1	2	2	3	5 1/2	1/4	5/8
SCB75-1/4F-3N-T16	3/4	16	2	3	2	3	5 1/2	1/4	5/8
SCB75-1/4F-4N-T16	3/4	16	2	4	2	3	5 1/2	1/4	5/8
SCB75-1/4F-4N4-T16	3/4	16	2	4	2	4	6 1/2	1/4	1 1/8
SCB75-3/8F-2N-T16	3/4	16	1	2	2	3	5 1/2	3/8	5/8
SCB75-3/8F-3N-T16	3/4	16	2	3	2	3	5 1/2	3/8	5/8
SCB75-3/8F-4N-T16	3/4	16	2	4	2	3	5 1/2	3/8	5/8
SCB75-3/8F-4N4-T16	3/4	16	2	4	2	4	6 1/2	3/8	1 1/8

Bronze Terminals, Taps



DOSSERT®

TYPE SCB-F
Stud Connector to Flat Bar Type

Ordering Information

CATALOG NUMBER	STUD DIAMETER	THREADS PER INCH	FIG. NO.	DIMENSIONS IN INCHES					
				A	B	C	L	T	X
SCB100-1/4F-2N-T14	1	14	1	2	2	3	5 3/8	1/4	5/8
SCB100-1/4F-3N-T14	1	14	2	3	2 1/4	3	5 5/8	1/4	5/8
SCB100-1/4F-4N-T14	1	14	2	4	2 1/4	3	5 5/8	1/4	5/8
SCB100-1/4F-4N4-T14	1	14	2	4	2 1/4	4	6 5/8	1/4	1 1/8
SCB100-1/4F-3N-T14	1	14	2	3	2 1/4	3	5 5/8	1/4	5/8
SCB100-1/4F-4N-T14	1	14	2	4	2 1/4	3	5 5/8	1/4	5/8
SCB100-1/4F-4N4-T14	1	14	2	4	2 1/4	4	6 5/8	1/4	1 1/8
SCB100-3/8F-2N-T14	1	14	1	2	2	3	5 3/8	3/8	5/8
SCB100-3/8F-3N-T14	1	14	2	3	2 1/4	3	5 5/8	3/8	5/8
SCB100-3/8F-4N-T14	1	14	2	4	2 1/4	3	5 5/8	3/8	5/8
SCB100-3/8F-4N4-T14	1	14	2	4	2 1/4	4	6 5/8	3/8	1 1/8
SCB100-1/2F-2N-T14	1	14	1	2	2	3	5 3/8	1/2	5/8
SCB100-1/2F-3N-T14	1	14	2	3	2 1/4	3	5 5/8	1/2	5/8
SCB100-1/2F-4N-T14	1	14	2	4	2 1/4	3	5 5/8	1/2	5/8
SCB100-1/2F-4N4-T14	1	14	2	4	2 1/4	4	6 5/8	1/2	1 1/8
SCB112-1/4F-2N-T12	1 1/8	12	1	2	2	3	5 1/2	1/4	5/8
SCB112-1/4F-3N-T12	1 1/8	12	2	3	2 1/4	3	5 3/4	1/4	5/8
SCB112-1/4F-4N-T12	1 1/8	12	2	4	2 1/4	3	5 3/4	1/4	5/8
SCB112-1/4F-4N4-T12	1 1/8	12	2	4	2 1/4	4	6 3/4	1/4	1 1/8
SCB112-3/8F-2N-T12	1 1/8	12	1	2	2	3	5 1/2	3/8	5/8
SCB112-3/8F-3N-T12	1 1/8	12	2	3	2 1/4	3	5 3/4	3/8	5/8
SCB112-3/8F-4N-T12	1 1/8	12	2	4	2 1/4	3	5 3/4	3/8	5/8
SCB112-3/8F-4N4-T12	1 1/8	12	2	4	2 1/4	4	6 3/4	3/8	1 1/8
SCB112-1/2F-2N-T12	1 1/8	12	1	2	2	3	5 1/2	1/2	5/8
SCB112-1/2F-3N-T12	1 1/8	12	2	3	2 1/4	3	5 3/4	1/2	5/8
SCB112-1/2F-4N-T12	1 1/8	12	2	4	2 1/4	3	5 3/4	1/2	5/8
SCB112-1/2F-4N4-T12	1 1/8	12	2	4	2 1/4	4	6 3/4	1/2	1 1/8
SCB125-1/4F-2N-T12	1 1/4	12	1	2	2	3	5 1/2	1/4	5/8
SCB125-1/4F-3N-T12	1 1/4	12	2	3	2 3/4	3	6 1/4	1/4	5/8
SCB125-1/4F-4N-T12	1 1/4	12	2	4	2 3/4	3	6 1/4	1/4	5/8
SCB125-1/4F-4N4-T12	1 1/4	12	2	4	2 3/4	4	7 1/4	1/4	1 1/8
SCB125-3/8F-2N-T12	1 1/4	12	1	2	2	3	5 1/2	3/8	5/8
SCB125-3/8F-3N-T12	1 1/4	12	2	3	2 3/4	3	6 1/4	3/8	5/8
SCB125-3/8F-4N-T12	1 1/4	12	2	4	2 3/4	3	6 1/4	3/8	5/8
SCB125-3/8F-4N4-T12	1 1/4	12	2	4	2 3/4	4	7 1/4	3/8	1 1/8
SCB125-1/2F-2N-T12	1 1/4	12	1	2	2	3	5 1/2	1/2	5/8
SCB125-1/2F-3N-T12	1 1/4	12	2	3	2 3/4	3	6 1/4	1/2	5/8
SCB125-1/2F-4N-T12	1 1/4	12	2	4	2 3/4	3	6 1/4	1/2	5/8
SCB125-1/2F-4N4-T12	1 1/4	12	2	4	2 3/4	4	7 1/4	1/2	1 1/8
SCB143-1/2F-4N4-T0	1 7/16	0	2	4	2 3/4	4	7 1/4	1/2	1 1/8
SCB150-3/8F-2N-T12	1 1/2	12	1	2	2	3	5 1/2	3/8	5/8
SCB150-3/8F-3N-T12	1 1/2	12	2	3	2 3/4	3	6 1/4	3/8	5/8
SCB150-3/8F-4N-T12	1 1/2	12	2	4	2 3/4	3	6 1/4	3/8	5/8
SCB150-3/8F-4N4-T12	1 1/2	12	2	4	2 3/4	4	7 1/4	3/8	1 1/8
SCB150-1/2F-2N-T12	1 1/2	12	1	2	2	3	5 1/2	1/2	5/8
SCB150-1/2F-3N-T12	1 1/2	12	2	3	2 3/4	3	6 1/4	1/2	5/8
SCB150-1/2F-4N-T12	1 1/2	12	2	4	2 3/4	3	6 1/4	1/2	5/8
SCB150-1/2F-4N4-T12	1 1/2	12	2	4	2 3/4	4	7 1/4	1/2	1 1/8
SCB150-1/2F-6N4-T12	1 1/2	12	3	6	2 3/4	4	7 5/8	1/2	1 1/8
SCB150-3/4F-2N-T12	1 1/2	12	1	2	2	3	5 1/2	3/4	5/8
SCB150-3/4F-3N-T12	1 1/2	12	2	3	2 3/4	3	6 1/4	3/4	5/8
SCB150-3/4F-4N-T12	1 1/2	12	2	4	2 3/4	3	6 1/4	3/4	5/8
SCB150-3/4F-4N4-T12	1 1/2	12	2	4	2 3/4	4	7 1/4	3/4	1 1/8
SCB150-1F-6N4-T12	1 1/2	12	3	6	2 3/4	4	7 5/8	1	1 1/8
SCB157-1/2F-4N4-T0	40MM	0	2	4	2 3/4	4	7 1/4	1/2	1 1/8
SCB175-3/8F-2N-T12	1 3/4	12	1	2	2 3/4	3	5 1/2	3/8	5/8
SCB175-3/8F-3N-T12	1 3/4	12	2	3	2 3/4	3	6 1/4	3/8	5/8
SCB175-3/8F-4N-T12	1 3/4	12	2	4	2 3/4	3	6 1/4	3/8	5/8
SCB175-3/8F-4N4-T12	1 3/4	12	2	4	2 3/4	4	7 1/4	3/8	1 1/8
SCB175-1/2F-2N-T12	1 3/4	12	1	2	2 3/4	3	5 1/2	1/2	5/8
SCB175-1/2F-3N-T12	1 3/4	12	2	3	2 3/4	3	6 1/4	1/2	5/8
SCB175-1/2F-4N-T12	1 3/4	12	2	4	2 3/4	3	6 1/4	1/2	5/8
SCB175-1/2F-4N4-T12	1 3/4	12	2	4	2 3/4	4	7 1/4	1/2	1 1/8

Bronze Terminals, Taps



DOSSERT®

TYPE SCB-F
Stud Connector to Flat Bar Type

Ordering Information

CATALOG NUMBER	STUD DIAMETER	THREADS PER INCH	FIG. NO.	DIMENSIONS IN INCHES					
				A	B	C	L	T	X
SCB175-5/8F-2N-T12	1 3/4	12	1	2	2 3/4	3	5 1/2	5/8	5/8
SCB175-5/8F-3N-T12	1 3/4	12	2	3	2 3/4	3	6 1/4	5/8	5/8
SCB175-5/8F-4N-T12	1 3/4	12	2	4	2 3/4	3	6 1/4	5/8	5/8
SCB175-5/8F-4N4-T12	1 3/4	12	2	4	2 3/4	4	7 1/4	5/8	1 1/8
SCB175-3/4F-2N-T12	1 3/4	12	1	2	2 3/4	3	5 1/2	3/4	5/8
SCB175-3/4F-3N-T12	1 3/4	12	2	3	2 3/4	3	6 1/4	3/4	5/8
SCB175-3/4F-4N-T12	1 3/4	12	2	4	2 3/4	3	6 1/4	3/4	5/8
SCB175-3/4F-4N4-T12	1 3/4	12	2	4	2 3/4	4	7 1/4	3/4	1 1/8
SCB200-3/8F-2N-T12	2	12	1	2	2 3/4	3	5 1/2	3/8	5/8
SCB200-3/8F-3N-T12	2	12	2	3	2 3/4	3	6 1/4	3/8	5/8
SCB200-3/8F-4N-T12	2	12	2	4	2 3/4	3	6 1/4	3/8	5/8
SCB200-3/8F-4N4-T12	2	12	2	4	2 3/4	4	7 1/4	3/8	1 1/8
SCB200-1/2F-2N-T12	2	12	1	2	2 3/4	3	5 1/2	1/2	5/8
SCB200-1/2F-3N-T12	2	12	2	3	2 3/4	3	6 1/4	1/2	5/8
SCB200-1/2F-4N-T12	2	12	2	4	2 3/4	3	6 1/4	1/2	5/8
SCB200-1/2F-4N4-T12	2	12	2	4	2 3/4	4	7 1/4	1/2	1 1/8
SCB200-5/8F-2N-T12	2	12	1	2	2 3/4	3	5 1/2	5/8	5/8
SCB200-5/8F-3N-T12	2	12	2	3	2 3/4	3	6 1/4	5/8	5/8
SCB200-5/8F-4N-T12	2	12	2	4	2 3/4	3	6 1/4	5/8	5/8
SCB200-5/8F-4N4-T12	2	12	2	4	2 3/4	4	7 1/4	5/8	1 1/8
SCB200-5/8F-6N4-T12	2	12	3	6	2 3/4	4	7 5/8	5/8	1 1/8
SCB200-3/4F-2N-T12	2	12	1	2	2 3/4	3	5 1/2	3/4	5/8
SCB200-3/4F-3N-T12	2	12	2	3	2 3/4	3	6 1/4	3/4	5/8
SCB200-3/4F-4N-T12	2	12	2	4	2 3/4	3	6 1/4	3/4	5/8
SCB200-3/4F-4N4-T12	2	12	2	4	2 3/4	4	7 1/4	3/4	1 1/8
SCB200-1F-2N-T12	2	12	1	2	2 3/4	3	5 1/2	1	5/8
SCB200-1F-3N-T12	2	12	2	3	2 3/4	3	6 1/4	1	5/8
SCB200-1F-4N-T12	2	12	2	4	2 3/4	3	6 1/4	1	5/8
SCB200-1F-4N4-T12	2	12	2	4	2 3/4	4	7 1/4	1	1 1/8
SCB200-1F-6N4-T12	2	12	3	6	2 3/4	4	7 5/8	1	1 1/8
SCB225-1/2F-2N-T12	2 1/4	12	1	2	2 3/4	3	5 1/2	1/2	5/8
SCB225-1/2F-3N-T12	2 1/4	12	2	3	2 3/4	3	6 1/4	1/2	5/8
SCB225-1/2F-4N-T12	2 1/4	12	2	4	2 3/4	3	6 1/2	1/2	5/8
SCB225-1/2F-4N4-T12	2 1/4	12	2	4	2 3/4	4	7 1/4	1/2	1 1/8
SCB225-5/8F-2N-T12	2 1/4	12	1	2	2 3/4	3	5 1/2	5/8	5/8
SCB225-5/8F-3N-T12	2 1/4	12	2	3	2 3/4	3	6 1/4	5/8	5/8
SCB225-5/8F-4N-T12	2 1/4	12	2	4	2 3/4	3	6 1/4	5/8	5/8
SCB225-5/8F-4N4-T12	2 1/4	12	2	4	2 3/4	4	7 1/4	5/8	1 1/8
SCB225-3/4F-2N-T12	2 1/4	12	1	2	2 3/4	3	5 1/2	3/4	5/8
SCB225-3/4F-3N-T12	2 1/4	12	2	3	2 3/4	3	6 1/4	3/4	5/8
SCB225-3/4F-4N-T12	2 1/4	12	2	4	2 3/4	3	6 1/4	3/4	5/8
SCB225-3/4F-4N4-T12	2 1/4	12	2	4	2 3/4	4	7 1/4	3/4	1 1/8
SCB225-3/4F-6N4-T12	2 1/4	12	3	6	2 3/4	4	7 5/8	3/4	1 1/8
SCB225-1F-2N-T12	2 1/4	12	1	2	2 3/4	3	5 1/2	1	5/8
SCB225-1F-3N-T12	2 1/4	12	2	3	2 3/4	3	6 1/4	1	5/8
SCB225-1F-4N-T12	2 1/4	12	2	4	2 3/4	3	6 1/4	1	5/8
SCB225-1F-4N4-T12	2 1/4	12	2	4	2 3/4	4	7 1/4	1	1 1/8
SCB250-1/2F-2N-T12	2 1/2	12	1	2	3	3	6 1/4	1/2	5/8
SCB250-1/2F-3N-T12	2 1/2	12	2	3	3	3	6 1/4	1/2	5/8
SCB250-1/2F-4N-T12	2 1/2	12	2	4	3	3	6 1/4	1/2	5/8
SCB250-1/2F-4N4-T12	2 1/2	12	2	4	3	4	7 1/4	1/2	1 1/8
SCB250-5/8F-2N-T12	2 1/2	12	1	2	3	3	6 1/4	5/8	5/8
SCB250-5/8F-3N-T12	2 1/2	12	2	3	3	3	6 1/4	5/8	5/8
SCB250-5/8F-4N-T12	2 1/2	12	2	4	3	3	6 1/4	5/8	5/8
SCB250-5/8F-4N4-T12	2 1/2	12	2	4	3	4	7 1/4	5/8	1 1/8
SCB250-3/4F-2N-T12	2 1/2	12	1	2	3	3	6 1/4	3/4	5/8
SCB250-3/4F-3N-T12	2 1/2	12	2	3	3	3	6 1/4	3/4	5/8
SCB250-3/4F-4N-T12	2 1/2	12	2	4	3	3	6 1/4	3/4	5/8
SCB250-3/4F-4N4-T12	2 1/2	12	2	4	3	4	7 5/8	3/4	1 1/8
SCB250-1F-2N-T12	2 1/2	12	1	2	3	3	6 1/4	1	5/8
SCB250-1F-3N-T12	2 1/2	12	2	3	3	3	6 1/4	1	5/8
SCB250-1F-4N-T12	2 1/2	12	2	4	3	3	6 1/4	1	5/8
SCB250-1F-4N4-T12	2 1/2	12	2	4	3	4	7 1/4	1	1 1/8

Bronze Terminals, Taps



DOSSERT®

TYPE SCB-F Stud Connector to Flat Bar Type

Ordering Information

CATALOG NUMBER	STUD DIAMETER	THREADS PER INCH	FIG. NO.	DIMENSIONS IN INCHES					
				A	B	C	L	T	X
SCB300-1/2F-2N-T12	3	12	1	2	3	3	6 1/2	1/2	5/8
SCB300-1/2F-3N-T12	3	12	2	3	3	3	6 1/2	1/2	5/8
SCB300-1/2F-4N-T12	3	12	2	4	3	3	6 1/2	1/2	5/8
SCB300-1/2F-4N4-T12	3	12	2	4	3	4	7 1/2	1/2	1 1/8
SCB300-1/2F-6N4-T12	3	12	3	6	3	4	7 7/8	1/2	1 1/8
SCB300-5/8F-2N-T12	3	12	1	2	3	3	6 1/2	5/8	5/8
SCB300-5/8F-3N-T12	3	12	2	3	3	3	6 1/2	5/8	5/8
SCB300-5/8F-4N-T12	3	12	2	4	3	3	6 1/2	5/8	5/8
SCB300-5/8F-4N4-T12	3	12	2	4	3	4	7 1/2	5/8	1 1/8
SCB300-3/4F-2N-T12	3	12	1	2	3 1/4	3	6 1/2	3/4	5/8
SCB300-3/4F-3N-T12	3	12	2	3	3 1/4	3	6 1/2	3/4	5/8
SCB300-3/4F-4N-T12	3	12	2	4	3 1/4	3	7 5/8	3/4	5/8
SCB300-3/4F-4N4-T12	3	12	2	4	3 1/4	4	8 1/8	3/4	1 1/8
SCB300-1F-2N-T12	3	12	1	2	3 1/4	3	6 1/2	1	5/8
SCB300-1F-3N-T12	3	12	2	3	3 1/4	3	6 1/2	1	5/8
SCB300-1F-4N4-T12	3	12	2	4	3 1/4	4	7 1/2	1	5/8
SCB300-1F-6N4-T12	3	12	3	6	3	4	7 7/8	1	1 1/8
SCB350-1F-6N4-T12	3.5	12	3	6	3 1/2	4 1/4	8 3/8	1	1 1/8
SCB354-1F-6N4-T0	90 MM	0	3	6	3 1/2	4 1/4	8 3/8	1	1 1/8
SCB400-1 1/4F-6N4-T12	4	12	3	6	4	4	9	1 1/4	1 1/8
SCB400-1F-4N4-T12	4	12	2	4	4	4	9	1	1 1/8
SCB400-1F-4N4-T10	4	10	2	4	4	4	9	1	1 1/8
SCB500-3/4F-6N4-T10	5	10	3	6	4	4	9	3/4	1 1/8
SCB500-3/4F-6N4-T12	5	10	3	6	4	4	9	3/4	1 1/8

DOSSERT® TYPE T2CVH, T2CVHA-45, T2CVHA-90 Terminal Connector

A heavy duty variable clamp type terminal for connecting a cable to a flat bar bus. Each size terminal accommodates a wide range of cable sizes. Designed to carry the full rated load of the maximum conductor without overheating. Contact pads other than those listed below can be promptly furnished to any specified size or drilling. The variable type terminal exhibits its advantage in that one connector will accommodate a number of cable sizes. This minimizes greatly the problem of stocking various sizes of connectors and the errors which occur in specifying connectors for specific cable sizes.

Material

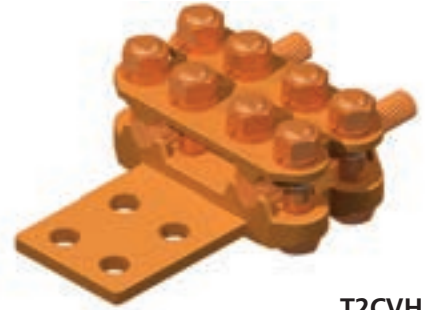
Copper Alloy

Hardware

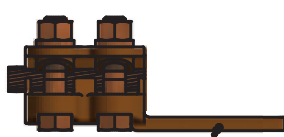
Everdur bolts, nuts and lock washers.

Notes

- For tin plating add suffix (SN) to catalog number. Ex: T2CVH50-2N-SN
- For undrilled pads, add the suffix (U) to the part numbers. Ex: T2CVH50-2U
- For a 45° angle add -45, and for a 90° angle add -90.
For an angled pad add an 'A' after TCVH.
Ex: For 45° 2 hole NEMA pad to two 500MCM cables order: T2CVHA50-2N-45



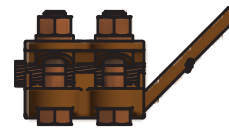
T2CVH



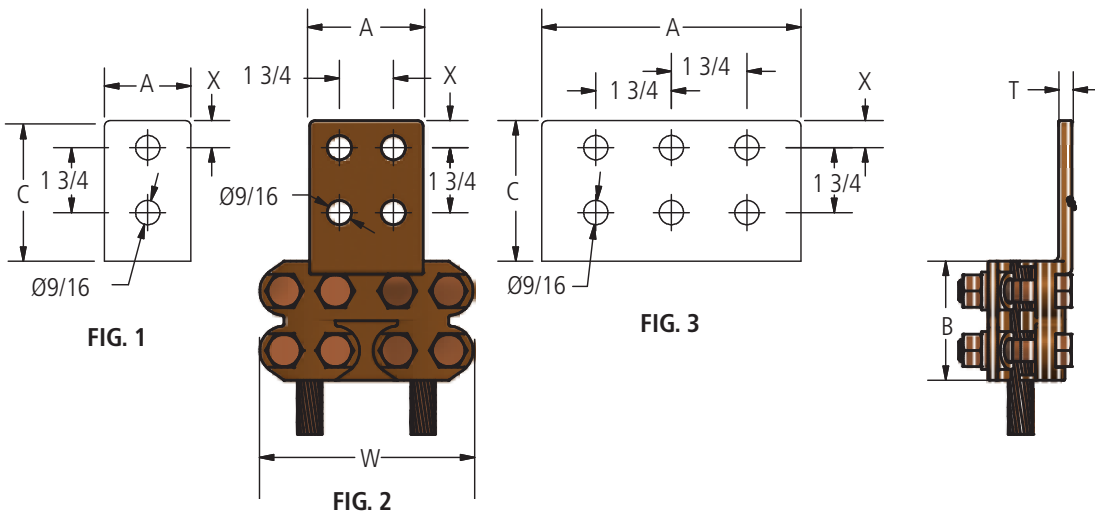
T2CVH



T2CVHA-90



TCVHA-45



DOSSERT®

TYPE T2CVH, T2CVHA-45, T2CVHA-90 Terminal Connector

Ordering Information

CATALOG NUMBER			CABLE RANGE		FIG. NO.	DIMENSIONS IN INCHES						BOLT SIZE
STRAIGHT	45 DEG.	90 DEG.	MIN	MAX		A	B	C	T	W	X	
T2CVH25-2N	T2CVHA25-2N-45	T2CVHA25-2N-90	# 4 SOL	250 MCM	1	2	2 3/4	3	5/16	3 1/2	5/8	1/2
T2CVH25-4N	T2CVHA25-4N-45	T2CVHA25-4N-90	# 4 SOL	250 MCM	2	3	2 3/4	3	5/16	3 1/2	5/8	1/2
T2CVH50-2N	T2CVHA50-2N-45	T2CVHA50-2N-90	1/0 SOL	500 MCM	1	2	3	3	3/8	4	5/8	1/2
T2CVH50-4N	T2CVHA50-4N-45	T2CVHA50-4N-90	1/0 SOL	500 MCM	2	3	3	3	3/8	4	5/8	1/2
T2CVH50-4N4	T2CVHA50-4N4-45	T2CVHA50-4N4-90	1/0 SOL	500 MCM	2	4	3	4	3/8	4	1 1/8	1/2
T2CVH80-2N	T2CVHA80-2N-45	T2CVHA80-2N-90	2/0 SOL	800 MCM	1	2	2 7/8	3	1/2	4 1/2	5/8	1/2
T2CVH80-4N	T2CVHA80-4N-45	T2CVHA80-4N-90	2/0 SOL	800 MCM	2	3	2 7/8	3	1/2	4 1/2	5/8	1/2
T2CVH80-4N4	T2CVHA80-4N4-45	T2CVHA80-4N4-90	2/0 SOL	800 MCM	2	4	2 7/8	4	1/2	4 1/2	1 1/8	1/2
T2CVH100-2N	T2CVHA100-2N-45	T2CVHA100-2N-90	4/0 SOL	1000 MCM	1	2 1/2	3	3	1/2	4 3/4	5/8	1/2
T2CVH100-4N	T2CVHA100-4N-45	T2CVHA100-4N-90	4/0 SOL	1000 MCM	2	3	3	3	1/2	4 3/4	5/8	1/2
T2CVH100-4N4	T2CVHA100-4N4-45	T2CVHA100-4N4-90	4/0 SOL	1000 MCM	2	4	3	4	1/2	4 3/4	1 1/8	1/2
T2CVH100-4N4-T5/8	T2CVH100-4N4-T5/8-45	T2CVH100-4N4-T5/8-90	4/0 SOL	1000 MCM	2	4	3	4	5/8	4 3/4	1 1/8	1/2
T2CVH100-4N4-T3/4	T2CVH100-4N4-T3/4-45	T2CVH100-4N4-T3/4-90	4/0 SOL	1000 MCM	2	4	3	4	3/4	4 3/4	1 1/8	1/2
T2CVH100-6N4	T2CVH100-6N4-45	T2CVH100-6N4-90	4/0 SOL	1000 MCM	3	6	3	4	1/2	4 3/4	1 1/8	1/2
T2CVH200-4N	T2CVHA200-4N-45	T2CVHA200-4N-90	500 MCM	2000 MCM	2	3	3 5/8	3	11/16	5 5/8	5/8	1/2
T2CVH200-4N4	T2CVHA200-4N4-45	T2CVHA200-4N4-90	500 MCM	2000 MCM	2	4	3 5/8	4	11/16	5 5/8	1 1/8	1/2
T2CVH200-5N4	T2CVH200-5N4-45	T2CVH200-5N4-90	500 MCM	2000 MCM	3	5	3 5/8	4	11/16	5 5/8	1 1/8	1/2
T2CVH200-6N4	T2CVHA200-6N4-45	T2CVHA200-6N4-90	500 MCM	2000 MCM	3	6	3 5/8	4	11/16	5 5/8	1 1/8	1/2
T2CVH300-4N4	T2CVH300-4N4-45	T2CVH300-4N4-90	1000 MCM	3000 MCM	2	4	3 7/8	4	1	7 3/16	1 1/8	5/8
T2CVH300-6N4	T2CVH300-6N4-45	T2CVH300-6N4-90	1000 MCM	3000 MCM	3	6	3 7/8	4	1	7 3/16	1 1/8	5/8

DOSSERT®

TYPE TCVH, TCVHA-15, TCVHA-30, TCVHA-45, TCVHA-90 Heavy Duty Copper Terminal For Cable to a Flat Pad

A heavy duty variable clamp type terminal for connecting a cable to a flat bar bus. Each size terminal accommodates a wide range of cable sizes. Designed to carry the full rated load of the maximum conductor without overheating. Contact pads other than those listed below can be promptly furnished to any specified size or drilling.



TCVH

Material

Copper Alloy

Hardware

Everdur bolts, nuts and lock washers.

Notes

- For Electro Tin plate, add "-SN" to catalog number. Ex: TCVH50-2N-SN
- For Angled Pad, add "A" to prefix and angle to catalog number. EX: TCVHA50-45
- For Undrilled Pad, add "-U" to pad size in catalog number. Ex: TCVH50-4N4U

Bronze Terminals, Taps



TCVH



TCVHA-15



TCVHA-30



TCVHA-45



TCVHA-90

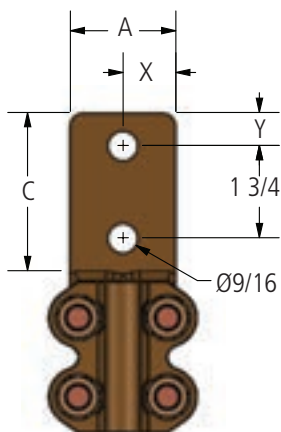


FIG. 1

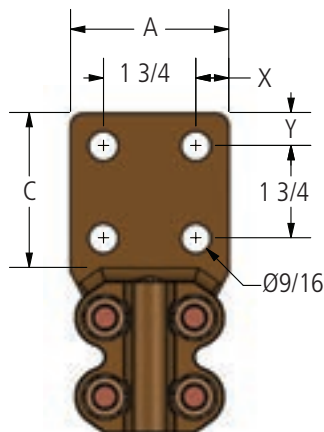


FIG. 2

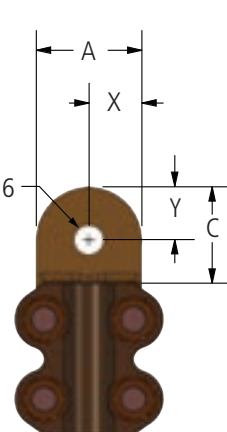
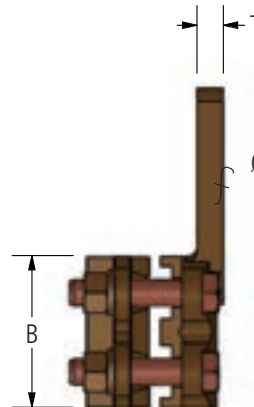


FIG. 3

DOSSERT®

TYPE TCVH, TCVHA-15, TCVHA-30, TCVHA-45, TCVHA-90 Heavy Duty Copper Terminal For Cable to a Flat Pad

Ordering Information

CATALOG NUMBER					CABLE RANGE		FIG. NO.	DIMENSIONS IN INCHES						BOLT SIZE
STRAIGHT	15 DEG.	30 DEG.	45 DEG.	90 DEG.	MIN	MAX		A	B	C	T	X	Y	
TCVH25-1	TCVHA25-1-15	TCVHA25-1-30	TCVHA25-1-45	TCVHA25-1-90	#4 SOL.	250 MCM	3	1.50	2.75	1.38	0.31	0.75	0.75	1/2
TCVH25-2N	TCVHA25-2N-15	TCVHA25-2N-30	TCVHA25-2N-45	TCVHA25-2N-90	#4 SOL.	250 MCM	1	1.50	2.75	3.00	0.31	0.75	0.63	1/2
TCVH25-4N	TCVHA25-4N-15	TCVHA25-4N-30	TCVHA25-4N-45	TCVHA25-4N-90	#4 SOL.	250 MCM	2	3.00	2.75	3.00	0.31	0.63	0.63	1/2
TCVH25-4N4	TCVHA25-4N4-15	TCVHA25-4N4-30	TCVHA25-4N4-45	TCVHA25-4N4-90	#4 SOL.	250 MCM	2	4.00	2.75	4.00	0.31	1.13	1.13	1/2
TCVH50-1	TCVHA50-1-15	TCVHA50-1-30	TCVHA50-1-45	TCVHA50-1-90	1/0 SOL.	500 MCM	3	2.00	2.63	1.50	0.38	1.00	0.88	1/2
TCVH50-2N	TCVHA50-2N-15	TCVHA50-2N-30	TCVHA50-2N-45	TCVHA50-2N-90	1/0 SOL.	500 MCM	1	2.00	2.63	3.00	0.38	1.00	0.63	1/2
TCVH50-2N3	TCVHA50-2N3-15	TCVHA50-2N3-30	TCVHA50-2N3-45	TCVHA50-2N3-90	1/0 SOL.	500 MCM	1	2.00	2.63	3.00	0.38	1.00	0.63	1/2
TCVH50-4N	TCVHA50-4N-15	TCVHA50-4N-30	TCVHA50-4N-45	TCVHA50-4N-90	1/0 SOL.	500 MCM	2	3.00	2.63	3.00	0.38	0.63	0.63	1/2
TCVH50-4N4	TCVHA50-4N4-15	TCVHA50-4N4-30	TCVHA50-4N4-45	TCVHA50-4N4-90	1/0 SOL.	500 MCM	2	4.00	2.63	4.00	0.38	1.13	1.13	1/2
TCVH80-2N	TCVHA80-2N-15	TCVHA80-2N-30	TCVHA80-2N-45	TCVHA80-2N-90	2/0 SOL.	800 MCM	1	2.00	2.88	3.00	0.50	1.00	0.63	1/2
TCVH80-2N3	TCVHA80-2N3-15	TCVHA80-2N3-30	TCVHA80-2N3-45	TCVHA80-2N3-90	2/0 SOL.	800 MCM	1	2.00	2.88	3.00	0.50	1.00	0.63	1/2
TCVH80-4N	TCVHA80-4N-15	TCVHA80-4N-30	TCVHA80-4N-45	TCVHA80-4N-90	2/0 SOL.	800 MCM	2	3.00	2.88	3.00	0.50	0.63	0.63	1/2
TCVH80-4N4	TCVHA80-4N4-15	TCVHA80-4N4-30	TCVHA80-4N4-45	TCVHA80-4N4-90	2/0 SOL.	800 MCM	2	4.00	2.88	4.00	0.50	1.13	1.13	1/2
TCVH100-2N	TCVHA100-2N-15	TCVHA100-2N-30	TCVHA100-2N-45	TCVHA100-2N-90	4/0 SOL.	1000 MCM	1	2.00	2.88	3.00	0.50	1.00	0.63	1/2
TCVH100-4N	TCVHA100-4N-15	TCVHA100-4N-30	TCVHA100-4N-45	TCVHA100-4N-90	4/0 SOL.	1000 MCM	2	3.00	2.88	3.00	0.50	0.63	0.63	1/2
TCVH100-4N4	TCVHA100-4N4-15	TCVHA100-4N4-30	TCVHA100-4N4-45	TCVHA100-4N4-90	4/0 SOL.	1000 MCM	2	4.00	2.88	4.00	0.50	1.13	1.13	1/2
TCVH200-4N	TCVHA200-4N-15	TCVHA200-4N-30	TCVHA200-4N-45	TCVHA200-4N-90	500 MCM	2000 MCM	2	3.00	3.38	3.00	0.69	0.63	0.63	1/2
TCVH200-4N4	TCVHA200-4N4-15	TCVHA200-4N4-30	TCVHA200-4N4-45	TCVHA200-4N4-90	500 MCM	2000 MCM	2	4.00	3.38	4.00	0.69	1.13	1.13	1/2
TCVH250-4N	TCVHA250-4N-15	TCVHA250-4N-30	TCVHA250-4N-45	TCVHA250-4N-90	2000 MCM	2500 MCM	2	3.00	4.50	3.00	0.81	0.63	0.63	5/8

Bronze Terminals, Taps

DOSSERT®

TYPE TCX Bar to Variable Cable or Pipe

TCX can be used as a tap or a terminal. A variable clamp type terminal or tap for connecting a cable or pipe to a flat bar bus. Each size accommodates a wide range of cable sizes.

Material

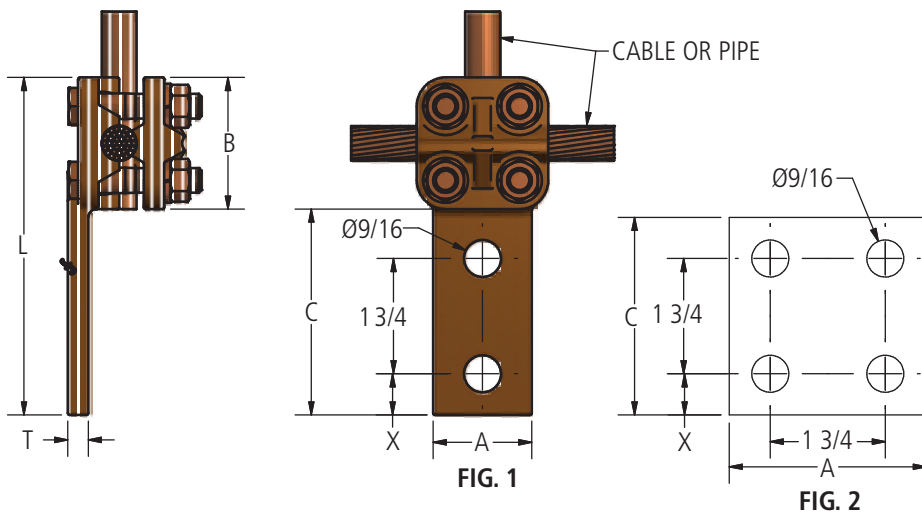
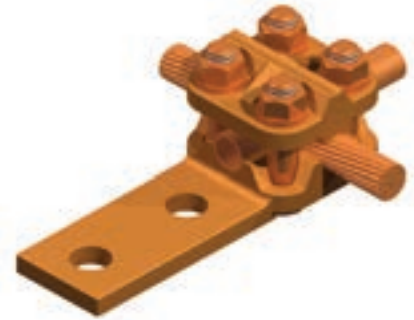
Copper Alloy

Hardware

Everdur-bolts, nuts, and lockwashers.

Note

For tin plating add "-SN" to the end of the catalog number.



Bronze Terminals, Taps

Ordering Information

CATALOG NUMBER	CABLE RANGE		SPS RANGE		FIG NO.	DIMENSIONS IN INCHES						BOLT SIZE
	SMALL GROOVE	LARGE GROOVE	SMALL GROOVE	LARGE GROOVE		A	B	C	L	T	X	
TCX21-2N	6SOL-1STR	1STR-4/0STR	-	-	1	1 1/2	2	3	5 1/8	5/16	5/8	3/8
TCX21-4N	6SOL-1STR	1STR-4/0STR	-	-	2	3	2	3	5 1/8	5/16	5/8	3/8
TCX60-2N	4SOL-4/0STR	250-600	1/4	1/2	1	1 1/2	2 5/16	3	5 1/2	3/8	5/8	3/8
TCX60-4N	4SOL-4/0STR	250-600	1/4	1/2	2	3	2 5/16	3	5 1/2	3/8	5/8	3/8
TCX80-2N	2SOL-250	300-800	1/4	3/4	1	2	2 7/16	3	5 11/16	1/2	5/8	3/8
TCX80-4N	2SOL-250	300-800	1/4	3/4	2	3	2 7/16	3	5 11/16	1/2	5/8	3/8
TCX150-2N	4/0SOL-850	900-1500	1/4	1	1	2	3 1/4	3	6 1/2	9/16	5/8	1/2
TCX150-4N	4/0SOL-850	900-1500	1/4	1	2	3	3 1/4	3	6 1/2	9/16	5/8	1/2
TCX150-4N4	4/0SOL-850	900-1500	1/4	1	2	4	3 1/4	4	7 1/2	9/16	1 1/8	1/2
TCX200-2N	500-1300	1500-2000	3/4	1 1/2	2	2	3 1/2	3	6 3/4	11/16	5/8	1/2
TCX200-4N	500-1300	1500-2000	3/4	1 1/2	2	3	3 1/2	3	6 3/4	11/16	5/8	1/2

DOSSERT®

TYPE TP, TPA-30, TPA-45, TPA-60, TPA-90 Copper Clamp Terminal for Tubular Bus to Flat

A bolted clamp type terminal for connecting standard pipe size tubular buses to flat surfaces.

Material

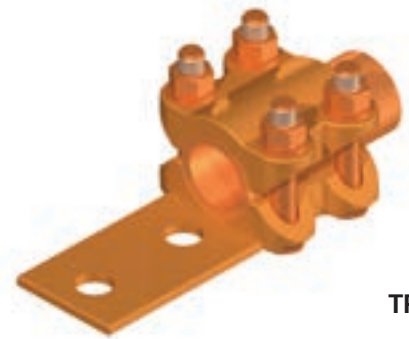
Copper Alloy

Hardware

Everdur-nuts, bolts and lock washers.

Notes

- Contact pads can be furnished to any specification of size undrilled or drilled to specified hole sizes and center to center dimensions.
- For Electro Tin Plate, add "-SN" to catalog number. EX: TP300-4N-SN
- For Angled Pad, add "A" to prefix and angle to catalog number. EX: TPA350-4N-60
- For Undrilled Pad, add "U" to pad size in catalog number. EX: TP350-4U



TP

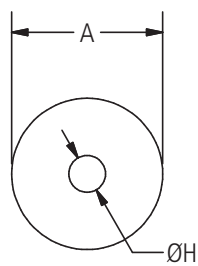
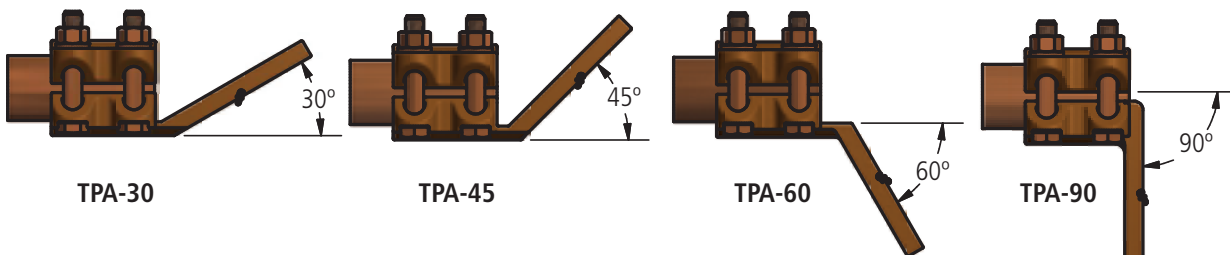


FIG. 1

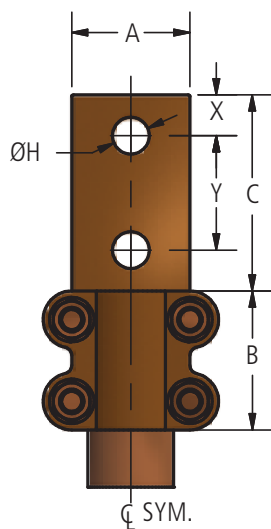


FIG. 2

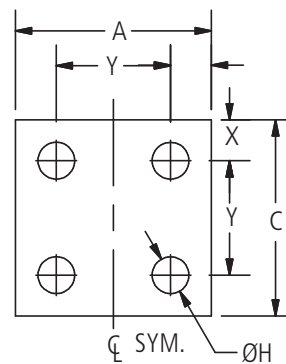
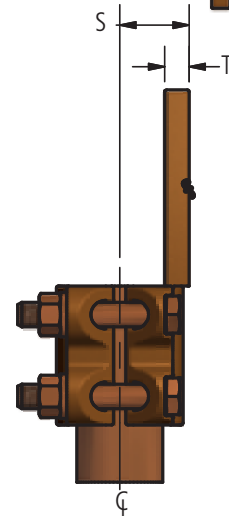


FIG. 3



TP



DOSSERT®

TYPE TP, TPA-30, TPA-45, TPA-60, TPA-90
Copper Clamp Terminal for Tubular Bus to Flat

Ordering Information

CATALOG NUMBER	SPS	FIG. NO.	DIMENSIONS IN INCHES									BOLT SIZE
			A	C	B	H	T	X	Y	S		
TP25-1	1/4	1	1 1/4	—	2	7/16	1/4	—	—	—	—	3/8
TP25-2	1/4	2	1 1/4	1 7/8	2	7/16	1/4	7/16	1	—	—	3/8
TP25-2N	1/4	2	1 1/2	3	2	9/16	1/4	5/8	1 3/4	11/16	—	3/8
TP38-1	3/8	1	1 1/4	—	2	7/16	1/4	—	—	—	—	3/8
TP38-2	3/8	2	1 1/4	2 1/8	2 1/8	7/16	1/4	7/16	1	3/4	—	3/8
TP38-2N	3/8	2	1 1/2	3 1/4	2 1/8	9/16	1/4	5/8	1 3/4	3/4	—	3/8
TP50-1	1/2	1	1 1/2	—	2	9/16	5/16	—	—	—	—	3/8
TP50-2	1/2	2	1 1/2	2 1/4	2	7/16	5/16	1/2	1 1/4	—	—	3/8
TP50-2N	1/2	2	1 1/2	3	2	9/16	5/16	5/8	1 3/4	7/8	—	3/8
TP75-1	3/4	1	1 3/4	—	2	9/16	3/8	—	—	15/16	—	3/8
TP75-2	3/4	2	1 1/2	2 1/4	2	9/16	3/8	1/2	1 1/4	—	—	3/8
TP75-2N	3/4	2	2	3	2	7/16	3/8	5/8	1 3/4	1	—	3/8
TP100-2	1	2	1 3/4	2 1/4	2 1/8	9/16	3/8	1/2	1 1/4	—	—	3/8
TP100-2N	1	2	1 3/4	3	2 1/8	7/16	3/8	5/8	1 3/4	1 3/8	—	3/8
TP100-4	1	3	2 1/4	2 1/4	2 1/8	9/16	3/8	1/2	1 1/4	1 1/8	—	3/8
TP100-4N	1	3	3	3	2 1/8	7/16	3/8	5/8	1 3/4	1 3/8	—	3/8
TP125-2	1 1/4	2	2 1/4	3	2 1/2	9/16	7/16	3/4	1 1/2	—	—	1/2
TP125-2N	1 1/4	2	2 1/4	3	2 1/2	9/16	7/16	5/8	1 3/4	1 1/2	—	1/2
TP125-4	1 1/4	3	3	3	2 1/2	9/16	7/16	3/4	1 1/2	1 11/32	—	1/2
TP125-4N	1 1/4	3	3	3	2 1/2	9/16	7/16	5/8	1 3/4	1 1/2	—	1/2
TP150-2	1 1/2	2	2 1/2	3 1/4	2 5/8	9/16	1/2	3/4	1 3/4	—	—	1/2
TP150-2N	1 1/2	2	2 1/2	3	2 5/8	9/16	1/2	5/8	1 3/4	1 1/2	—	1/2
TP150-4	1 1/2	3	3	3	2 5/8	9/16	1/2	3/4	1 1/2	1 9/16	—	1/2
TP150-4N	1 1/2	3	3	3	2 5/8	9/16	1/2	5/8	1 3/4	1 1/2	—	1/2
TP200-2	2	2	2 3/4	3 1/4	2 3/4	9/16	1/2	3/4	1 3/4	—	—	1/2
TP200-2N	2	2	2 3/4	3	2 3/4	9/16	1/2	5/8	1 3/4	1 3/4	—	1/2
TP200-4	2	3	3 1/4	3 1/4	2 3/4	9/16	1/2	3/4	1 3/4	1 13/16	—	1/2
TP200-4N	2	3	3	3	2 3/4	9/16	1/2	5/8	1 3/4	1 3/4	—	1/2
TP200R-4N	2 O.D.	3	3	3	2 3/4	9/16	1/2	5/8	1 3/4	1 3/4	—	1/2
TP250-2	2 1/2	2	3	3 3/4	2 3/4	9/16	11/16	1	1 3/4	—	—	1/2
TP250-2N	2 1/2	2	3	3	2 3/4	9/16	11/16	5/8	1 3/4	2 1/8	—	1/2
TP250-4	2 1/2	3	3 3/4	3 3/4	2 3/4	9/16	11/16	7/8	2	2 3/16	—	1/2
TP250-4N	2 1/2	3	3	3	2 3/4	9/16	11/16	5/8	1 3/4	2 1/8	—	1/2
TP250-4N4	2 1/2	3	4	4	2 3/4	9/16	11/16	1 1/8	1 3/4	—	—	1/2
TP300-4	3	3	4 1/2	4 1/2	3 1/4	9/16	11/16	7/8	2 3/4	—	—	5/8
TP300-4N	3	3	4	4	3 1/4	9/16	11/16	5/8	1 3/4	2 1/2	—	5/8
TP300-4N4	3	3	4	4	3 1/4	9/16	11/16	1 1/8	1 3/4	2 11/16	—	5/8
TP300-5N4S-7/8T	3	3	5	4	3 1/4	9/16	7/8	1 1/8	1 3/4	—	—	5/8
TP350-4	3 1/2	3	4 3/4	4 3/4	3 1/4	9/16	13/16	7/8	3	2 7/8	—	5/8
TP350 4N	3 1/2	3	3	3	3 1/4	9/16	13/16	5/8	1 3/4	2 5/8	—	5/8
TP350-4N4	3 1/2	3	4	4	3 1/4	9/16	13/16	1 1/8	1 3/4	2 5/8	—	5/8
TP400-4	4	3	5 1/2	5 1/2	3 3/8	11/16	13/16	1 1/8	3 1/4	—	—	5/8
TP400-4N	4	3	3	3	3 3/8	9/16	13/16	5/8	1 3/4	3 1/8	—	5/8
TP600-4N4	6	3	4	4	5 3/4	9/16	1 1/4	1 1/8	1 3/4	—	—	5/8

Bronze Terminals, Taps

DOSSERT®

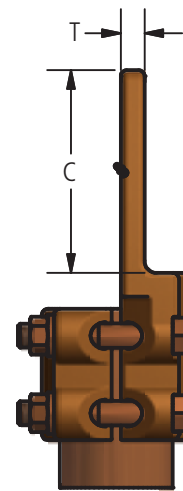
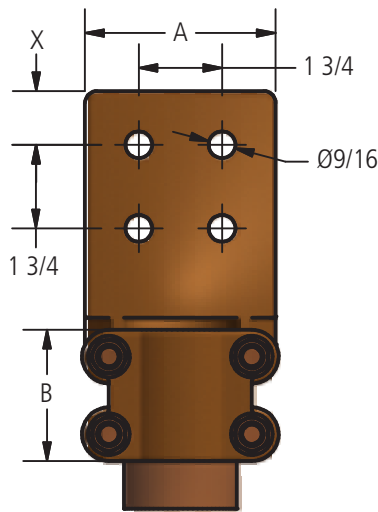
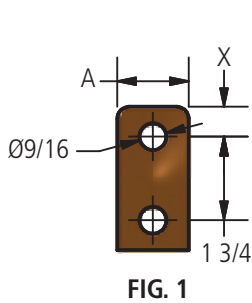
TYPE TPC Terminal Connector

Material

Copper Alloy

Hardware

Everdur-bolts, nuts, and lockwashers.



Ordering Information

CATALOG NUMBER	SPS	FIG. NO.	DIMENSIONS IN INCHES					BOLT SIZE
			A	B	C	T	X	
TPC25-2N	1/4	1	1 1/2	2	3	1/4	5/8	3/8
TPC38-2N	3/8	1	1 1/2	2	3	1/4	5/8	3/8
TPC50-2N	1/2	1	1 1/2	2	3	5/16	5/8	3/8
TPC50-4N	1/2	2	3	2	3	5/16	5/8	3/8
TPC75-2N	3/4	1	1 1/2	2	3	3/8	5/8	3/8
TPC75-4N	3/4	2	3	2	3	3/8	5/8	3/8
TPC100-2N	1	1	1 3/4	2 1/8	3	3/8	5/8	3/8
TPC100-4N	1	2	3	2 1/8	3	3/8	5/8	3/8
TPC100-4N4	1	2	4	2 1/8	4	3/8	1 1/8	3/8
TPC125-2N	1 1/4	1	2	2 1/2	3	7/16	5/8	1/2
TPC125-4N	1 1/4	2	3	2 1/2	3	7/16	5/8	1/2
TPC125-4N4	1 1/4	2	4	2 1/2	4	7/16	1 1/8	1/2
TPC150-2N	1 1/2	1	2 1/2	2 5/8	3	1/2	5/8	1/2
TPC150-4N	1 1/2	2	3	2 5/8	3	1/2	5/8	1/2
TPC150-4N4	1 1/2	2	4	2 5/8	4	1/2	1 1/8	1/2
TPC200-2N	2	1	2 3/4	2 3/4	3	1/2	5/8	1/2
TPC200-4N	2	2	3	2 3/4	3	1/2	5/8	1/2
TPC200-4N4	2	2	4	2 3/4	4	1/2	1 1/8	1/2
TPC250-2N	2 1/2	1	3	2 3/4	3	11/16	5/8	1/2
TPC250-4N	2 1/2	2	3	2 3/4	3	11/16	5/8	1/2
TPC250-4N4	2 1/2	2	4	2 3/4	4	11/16	1 1/8	1/2
TPC300-4N	3	2	3	3 1/4	3	11/16	5/8	5/8
TPC300-4N4	3	2	4	3 1/4	4	11/16	1 1/8	5/8
TPC350-4N	3 1/2	2	3	3 1/4	3	13/16	5/8	5/8
TPC350-4N4	3 1/2	2	4	3 1/4	4	13/16	1 1/8	5/8
TPC400-4N	4	2	3	3 3/8	3	13/16	5/8	5/8
TPC400-4N4	4	2	4	3 3/8	4	13/16	1 1/8	5/8
TPC600-4N4	6	2	4	5 3/4	4	1 1/4	1 1/8	5/8

DOSSERT®

TYPE UL-90H

Copper Horizontal Terminal For Cable To Bus

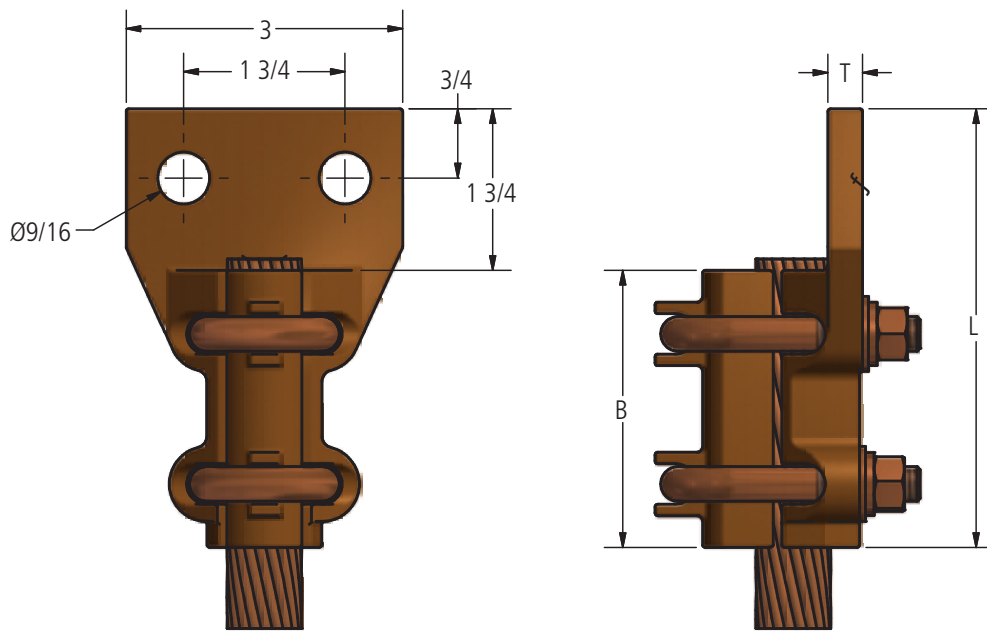
A horizontal angle terminal for connecting a cable at 90 degree to the bus.

Material

Copper Alloy

Hardware

Everdur U-bolts, nuts and lockwashers.



Bronze Terminals, Taps

Ordering Information

CATALOG NUMBER	CABLE SIZE		DIMENSIONS IN INCHES			U-BOLT SIZE
	MIN	MAX	B	L	T	
UL13-2N-90H	6 Str	2/0 Str	2 1/2	4 1/4	5/16	5/16
UL21-2N-90H	1 Str	4/0 Str	2 5/8	4 3/8	5/16	3/8
UL30-2N-90H	1/0 Str	300 MCM	2 3/4	4 1/2	3/8	3/8
UL50-2N-90H	300 MCM	500 MCM	3	4 3/4	3/8	3/8
UL80-2N-90H	500 MCM	800 MCM	3 1/4	5	1/2	1/2
UL100-2N-90H	750 MCM	1000 MCM	3 1/2	5 1/4	1/2	1/2
UL150-2N-90H	1000 MCM	1500 MCM	4	5 3/4	9/16	1/2
UL200-2N-90H	1500 MCM	2000 MCM	4 1/2	6 1/4	9/16	1/2

DOSSERT[®] TYPE UL-90V Copper Vertical Mounting Terminal

A vertical side mounting type terminal lug for connecting cables to flat bar busses. The side clamping feature provides clearance to enable terminal to be mounted well within the bus surface without interference of the U-bolts.



Material

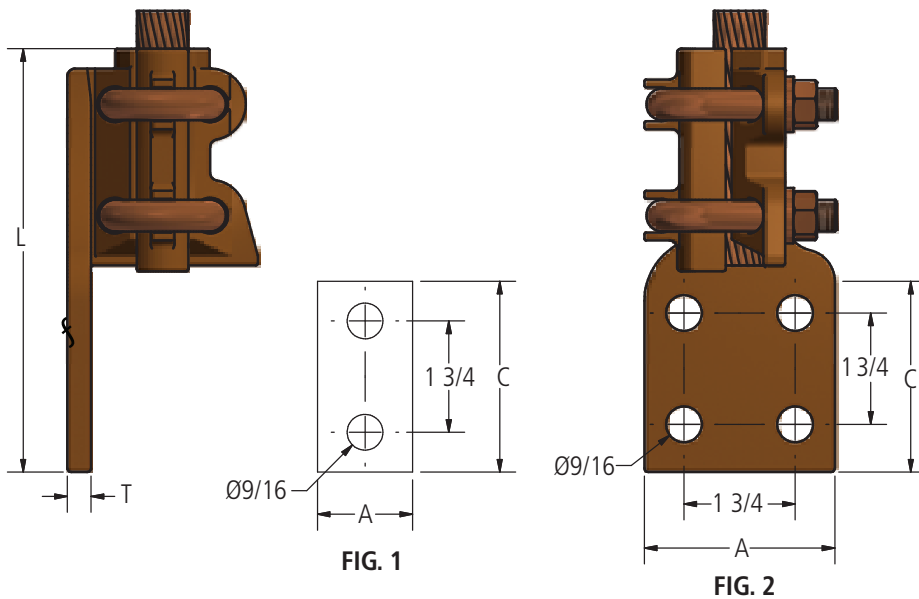
Copper Alloy

Hardware

Everdur U-bolts, nuts and lockwashers.

Note

Contact pads can be furnished to any specification of size undrilled or drilled to specified hole sizes and center to center dimensions.



Bronze Terminals, Taps

Ordering Information

CATALOG NUMBER	CABLE RANGE		FIG. NO.	DIMENSIONS IN INCHES				BOLT SIZE
	MIN	MAX		A	C	L	T	
UL13-2N-90V	6 Str	2/0 Str	1	1 1/2	3 1/4	5 3/4	5/16	5/16
UL13-4N-90V	6 Str	2/0 Str	2	3	3 1/4	5 3/4	5/16	5/16
UL21-2N-90V	1 Str	4/0 Str	1	1 1/2	3 1/4	5 7/8	5/16	3/8
UL21-4N-90V	1 Str	4/0 Str	2	3	3 1/4	5 7/8	5/16	3/8
UL30-2N-90V	1/0 Str	300 MCM	1	1 1/2	3 1/4	6	3/8	3/8
UL30-4N-90V	1/0 Str	300 MCM	2	3	3 1/4	6	3/8	3/8
UL50-2N-90V	300 MCM	500 MCM	1	1 1/2	3 1/4	6 1/4	3/8	3/8
UL50-4N-90V	300 MCM	500 MCM	2	3	3 1/4	6 1/4	3/8	3/8
UL50-4N4-90V	300 MCM	500 MCM	2	4	4 1/4	7 1/4	3/8	3/8
UL80-2N-90V	500 MCM	800 MCM	1	1 1/2	3 1/4	6 1/2	1/2	3/8
UL80-4N-90V	500 MCM	800 MCM	2	3	3 1/4	6 1/2	1/2	3/8
UL80-4N4-90V	500 MCM	800 MCM	2	4	4 1/4	7 1/2	1/2	3/8
UL100-2N-90V	750 MCM	1000 MCM	1	1 1/2	3 1/4	6 3/4	1/2	1/2
UL100-4N-90V	750 MCM	1000 MCM	2	3	3 1/4	6 3/4	1/2	1/2
UL100-4N4-90V	750 MCM	1000 MCM	2	4	4 1/4	7 3/4	1/2	1/2
UL150-2N-90V	1000 MCM	1500 MCM	1	2 3/4	3 1/4	7 1/4	9/16	1/2
UL150-4N-90V	1000 MCM	1500 MCM	2	3	3 1/4	7 1/4	9/16	1/2
UL150-4N4-90V	1000 MCM	1500 MCM	2	4	4 1/4	8 1/4	9/16	1/2
UL200-2N-90V	1500 MCM	2000 MCM	1	3	3 1/4	7 3/4	11/16	1/2
UL200-4N-90V	1500 MCM	2000 MCM	2	3	3 1/4	7 3/4	11/16	1/2
UL200-4N4-90V	1500 MCM	2000 MCM	2	4	4 1/4	8 3/4	11/16	1/2

DOSSERT®

TYPE UL, U2L U-Bolt Variable Terminal

A conductor U-bolt type variable terminal lug for connecting cables to flat bar busses.

Material

Copper Alloy

Hardware

Everdur U-bolts, lockwashers and nuts.

Notes

- Contact pads other than those listed can be promptly furnished to any specified size or drilling.
- For a Two Conductor Terminal add a '2' in UL Ex:U2L150-4N4



UL



U2L

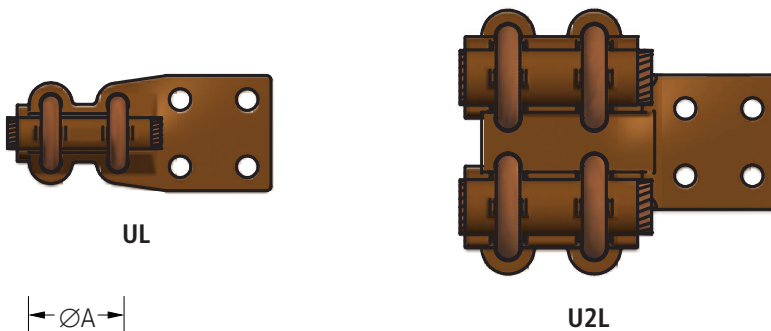


FIG. 1

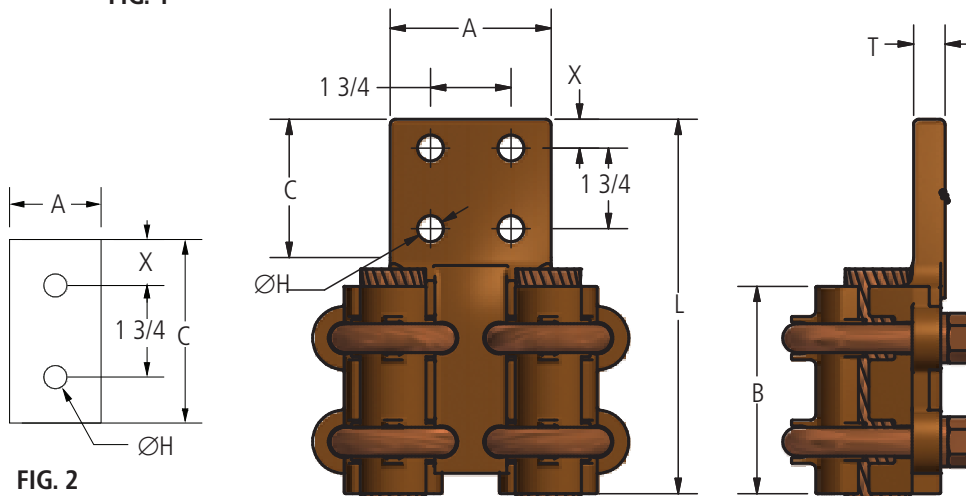


FIG. 2

FIG. 3

DOSSERT®

TYPE UL, U2L U-Bolt Variable Terminal

Ordering Information

CATALOG NUMBER	CABLE RANGE		FIG. NO.	DIMENSIONS IN INCHES							U-BOLT SIZE
	MIN	MAX		A	B	C	H	L	T	X	
UL13-1	6 Str	2/0 Str	1	1.25	2.50	—	0.44	3.88	0.31	—	5/16
UL13-2	6 Str	2/0 Str	2	1.25	2.50	1.88	0.44	4.50	0.31	0.44	5/16
UL13-2N	6 Str	2/0 Str	2	1.50	2.50	3.00	0.56	5.75	0.31	0.63	5/16
UL21-1	1 Str	4/0 Str	1	1.50	2.63	—	0.56	4.25	0.31	—	3/8
UL21-2	1 Str	4/0 Str	2	1.25	2.63	2.13	0.44	4.88	0.31	0.50	3/8
UL21-2N	1 Str	4/0 Str	2	1.50	2.63	3.00	0.56	5.88	0.31	0.63	3/8
UL21-4N	1 Str	4/0 Str	3	3.00	2.63	3.00	0.56	5.88	0.31	0.63	3/8
UL30-1	1/0 Str	300 MCM	1	1.50	2.75	2.00	0.56	4.75	0.38	0.75	3/8
UL30-2	1/0 Str	300 MCM	2	1.63	2.75	2.63	0.56	5.50	0.38	0.63	3/8
UL30-2N	1/0 Str	300 MCM	2	1.50	2.75	3.00	0.56	6.00	0.38	0.63	3/8
UL30-4	1/0 Str	300 MCM	3	2.00	2.75	2.00	0.44	4.88	0.38	0.50	3/8
UL30-4N	1/0 Str	300 MCM	3	3.00	2.75	3.00	0.56	6.00	0.38	0.63	3/8
UL50-1	300 MCM	500 MCM	1	2.13	3.00	—	0.56	5.25	0.38	—	3/8
UL50-2	300 MCM	500 MCM	2	1.75	3.00	2.75	0.56	5.88	0.38	0.69	3/8
UL50-2N	300 MCM	500 MCM	2	1.50	3.00	3.00	0.56	6.25	0.38	0.63	3/8
UL50-4	300 MCM	500 MCM	3	2.25	3.00	2.25	0.44	5.38	0.38	0.56	3/8
UL50-4N	300 MCM	500 MCM	3	3.00	3.00	3.00	0.56	6.25	0.38	0.63	3/8
UL80-2	500 MCM	800 MCM	2	1.75	3.25	3.00	0.56	6.44	0.50	0.75	1/2
UL80-2N	500 MCM	800 MCM	2	1.75	3.25	3.00	0.56	6.50	0.50	0.63	1/2
UL80-4	500 MCM	800 MCM	3	2.25	3.25	2.25	0.44	5.69	0.50	0.56	1/2
UL80-4N	500 MCM	800 MCM	3	3.00	3.25	3.00	0.56	6.50	0.50	0.63	1/2
UL100-2	750 MCM	1000 MCM	2	2.00	3.50	3.13	0.56	6.81	0.50	0.75	1/2
UL100-2N	750 MCM	1000 MCM	2	2.00	3.50	3.00	0.56	6.75	0.50	0.63	1/2
UL100-4	750 MCM	1000 MCM	3	2.38	3.50	2.38	0.44	6.13	0.50	0.56	1/2
UL100-4N	750 MCM	1000 MCM	3	3.00	3.50	3.00	0.56	6.75	0.50	0.63	1/2
UL150-2	1000 MCM	1500 MCM	2	2.00	4.00	3.13	0.56	7.31	0.56	0.75	1/2
UL150-2N	1000 MCM	1500 MCM	2	2.00	4.00	3.00	0.56	7.25	0.56	0.63	1/2
UL150-4	1000 MCM	1500 MCM	3	2.75	4.00	2.75	0.56	6.94	0.56	0.69	1/2
UL150-4N	1000 MCM	1500 MCM	3	3.00	4.00	3.00	0.56	7.25	0.56	0.63	1/2
UL200-2	1500 MCM	2000 MCM	2	2.13	4.50	3.25	0.56	7.94	0.69	0.81	1/2
UL200-2N	1500 MCM	2000 MCM	2	2.75	4.50	3.00	0.56	7.75	0.69	0.63	1/2
UL200-4	1500 MCM	2000 MCM	3	3.13	4.50	3.13	0.56	7.81	0.69	0.75	1/2
UL200-4N	1500 MCM	2000 MCM	3	3.00	4.50	3.00	0.56	7.75	0.69	0.63	1/2

Bronze Terminals, Taps

DOSSERT®

TYPE ULB, U2LB U-Bolt Terminal Lug

Material

Copper Alloy

Hardware

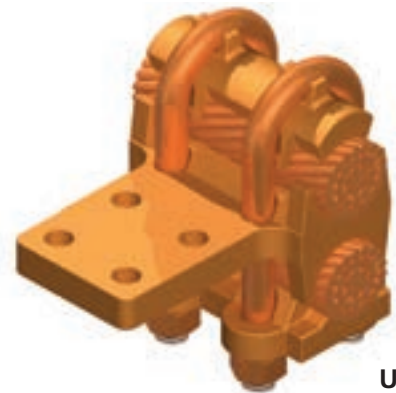
Everdur U-bolts, nuts, and lock washers.

Notes

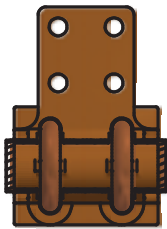
- For tin plating add "-SN" to end of catalog number. Ex: ULB13-2N-SN
- For a Two Conductor Side Entrance Terminal add a '2' in the UL catalog number. Ex: U2LB13-2N



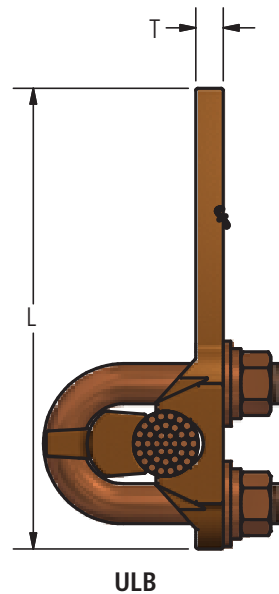
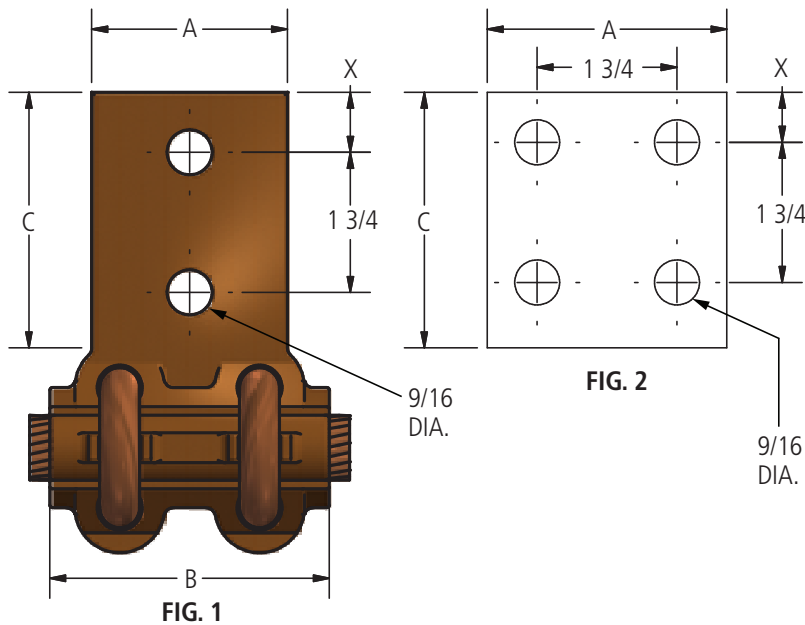
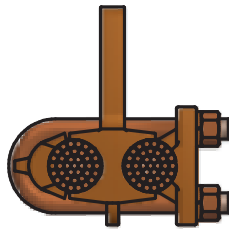
ULB



U2LB



U2LB



ULB



DOSSERT®

TYPE ULB, U2LB
U-Bolt Terminal Lug

Ordering Information

CATALOG NUMBER		CABLE RANGE		FIG. NO.	DIMENSIONS IN INCHES						U-BOLT SIZE
SINGLE CABLE	TWO CABLES	MIN	MAX		A	B	C	L	X	T	
ULB13-2N	U2LB13-2N	6 STR	2/0 STR	1	1 1/2	2 1/2	3	4 5/8	5/8	5/16	5/16
ULB13-4N	U2LB13-4N	6 STR	2/0 STR	1	3	2 1/2	3	4 5/8	5/8	5/16	5/16
ULB21-2N	U2LB21-2N	1 STR	4/0 STR	1	1 1/2	2 5/8	3	4 15/16	5/8	5/16	5/16
ULB21-4N	U2LB21-4N	1 STR	4/0 STR	2	3	2 5/8	3	4 15/16	5/8	5/16	5/16
ULB30-2N	U2LB30-2N	1/0 STR	300 MCM	1	1 1/2	2 3/4	3	5 1/16	5/8	3/8	5/16
ULB30-4N	U2LB30-4N	1/0 STR	300 MCM	2	3	2 3/4	3	5 1/16	5/8	3/8	5/16
ULB30-4N4	U2LB30-4N4	1/0 STR	300 MCM	2	4	2 3/4	4	6 1/16	1 1/8	3/8	5/16
ULB50-2N	U2LB50-2N	300 MCM	500 MCM	1	2	3	3	5 1/4	5/8	3/8	3/8
ULB50-4N	U2LB50-4N	300 MCM	500 MCM	2	3	3	3	5 1/4	5/8	3/8	3/8
ULB50-4N4	U2LB50-4N4	300 MCM	500 MCM	2	4	3	4	6 1/4	1 1/8	3/8	3/8
ULB80-2N	U2LB80-2N	500 MCM	800 MCM	1	1 1/2	3 1/4	3	5 7/8	5/8	1/2	1/2
ULB80-4N	U2LB80-4N	500 MCM	800 MCM	2	3	3 1/4	3	5 7/8	5/8	1/2	1/2
ULB80-4N4	U2LB80-4N4	500 MCM	800 MCM	2	4	3 1/4	4	6 7/8	1 1/8	1/2	1/2
ULB100-2N	U2LB100-2N	750 MCM	1000 MCM	1	2	3 1/2	3	6	5/8	1/2	1/2
ULB100-4N	U2LB100-4N	750 MCM	1000 MCM	2	3	3 1/2	3	6	5/8	1/2	1/2
ULB100-4N4	U2LB100-4N4	750 MCM	1000 MCM	2	4	3 1/2	4	7	1 1/8	1/2	1/2
ULB150-2N	U2LB150-2N	1000 MCM	1500 MCM	1	2	4	3	6 3/8	5/8	9/16	1/2
ULB150-4N	U2LB150-4N	1000 MCM	1500 MCM	2	3	4	3	6 3/8	5/8	9/16	1/2
ULB200-2N	U2LB200-2N	1500 MCM	2000 MCM	1	2 3/4	4 1/2	3	6 5/8	5/8	11/16	1/2
ULB200-4N	U2LB200-4N	1500 MCM	2000 MCM	2	3 1/8	4 1/2	3 1/8	6 5/8	5/8	11/16	1/2

DOSSERT®

TYPE ULI, UULI

Copper U-Bolt Variable Range Terminal

A single and double U-bolt type terminal. Each size accommodates a wide range of cable sizes. The inverted clamping member and the offset pad provides for contact mounting clearance when required.

Material

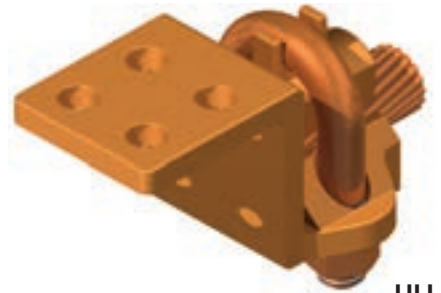
High Conductivity Copper Alloy

Hardware

Everdur U-bolts, nuts and lockwashers.

Note

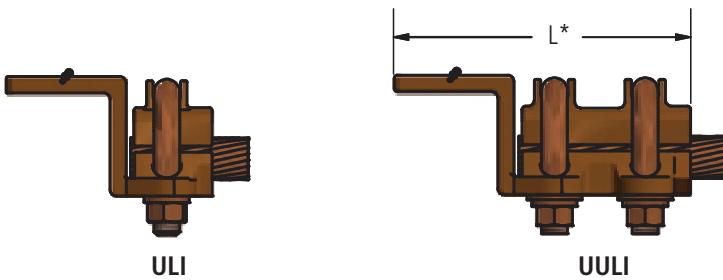
Contact pads can be furnished to any specification of size undrilled or drilled to specified hole sizes and center to center dimensions.



ULI



UULI



ULI

UULI

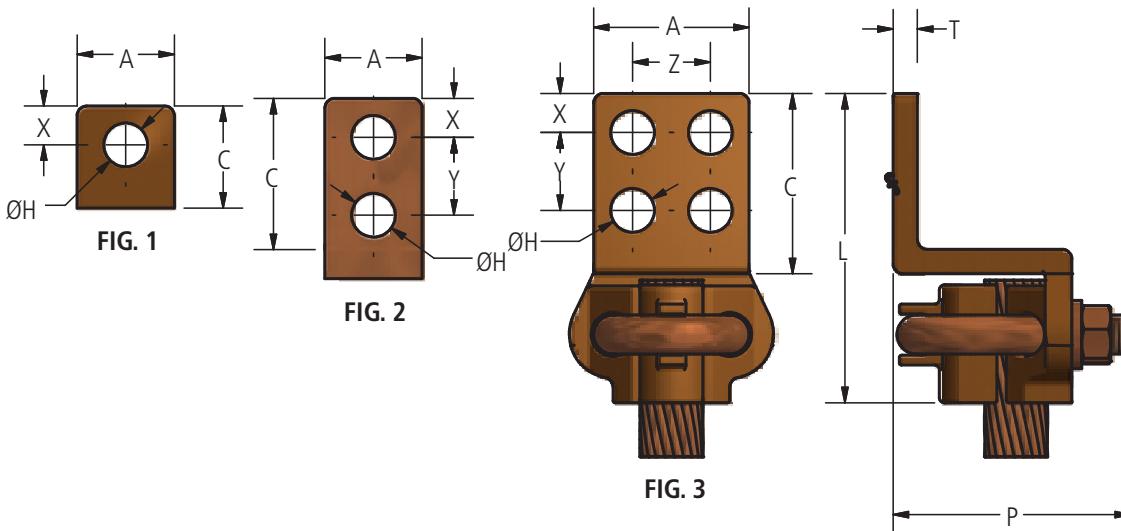


FIG. 1

FIG. 2

FIG. 3



DOSSERT®

TYPE ULI, UULI
Copper U-Bolt Variable Range Terminal

Ordering Information

CATALOG NUMBER		CABLE RANGE		FIG. NO.	DIMENSIONS IN INCHES										U-BOLT SIZE
ULI	UULI	MIN	MAX		A	C	H	L	L*	P	T	X	Y	Z	
ULI13-1	UULI13-1	6 SOL	2/0 STR	1	1 1/4	1 1/4	7/16	3	3	2 1/16	5/16	5/8	-	-	5/16
ULI13-2	UULI13-2	6 SOL	2/0 STR	2	1 1/4	1 7/8	7/16	3 5/8	3 5/8	2 1/16	5/16	7/16	1	-	5/16
ULI13-2N	UULI13-2N	6 SOL	2/0 STR	2	1 1/2	3	9/16	4 3/4	4 3/4	2 1/16	5/16	5/8	1 3/4	-	5/16
ULI13-4	UULI13-4	6 SOL	2/0 STR	3	2	2	7/16	3 3/4	3 3/4	2 1/16	5/16	1/2	1	1	5/16
ULI13-4N	UULI13-4N	6 SOL	2/0 STR	3	3	3	9/16	4 3/4	4 3/4	2 1/16	5/16	5/8	1 3/4	1 3/4	5/16
ULI21-1	UULI21-1	1 SOL	4/0 STR	1	1 1/2	1 1/2	9/16	3 5/16	3 5/16	2 3/16	5/16	3/4	-	-	3/8
ULI21-2	UULI21-2	1 SOL	4/0 STR	2	1 1/4	2 1/8	7/16	3 15/16	3 15/16	2 3/16	5/16	1/2	1 1/8	-	3/8
ULI21-2N	UULI21-2N	1 SOL	4/0 STR	2	1 1/2	3	9/16	4 13/16	4 13/16	2 3/16	5/16	5/8	1 3/4	-	3/8
ULI21-4	UULI21-4	1 SOL	4/0 STR	3	2	2	7/16	3 13/16	3 13/16	2 3/16	5/16	1/2	1	1	3/8
ULI21-4N	UULI21-4N	1 SOL	4/0 STR	3	3	3	9/16	4 13/16	4 13/16	2 3/16	5/16	5/8	1 3/4	1 3/4	3/8
ULI30-1	UULI30-1	1/0 STR	300 MCM	1	1 7/8	1 7/8	9/16	3 3/4	3 3/4	2 5/16	3/8	15/16	-	-	3/8
ULI30-2	UULI30-2	1/0 STR	300 MCM	2	1 5/8	2 5/8	9/16	4 1/2	4 1/2	2 5/16	3/8	5/8	1 1/8	-	3/8
ULI30-2N	UULI30-2N	1/0 STR	300 MCM	2	1 1/2	3	9/16	4 7/8	4 7/8	2 5/16	3/8	5/8	1 3/4	-	1/2
ULI30-4	UULI30-4	1/0 STR	300 MCM	3	2	2	7/16	3 7/8	3 7/8	2 5/16	3/8	1/2	1	1	3/8
ULI30-4N	UULI30-4N	1/0 STR	300 MCM	3	3	3	9/16	4 7/8	4 7/8	2 5/16	3/8	5/8	1 3/4	1 3/4	1/2
ULI50-1	UULI50-1	300 MCM	500 MCM	1	2 1/8	2 1/8	9/16	4 1/8	4 1/8	2 7/8	3/8	1 1/16	-	-	3/8
ULI50-2	UULI50-2	300 MCM	500 MCM	2	1 3/4	2 3/4	9/16	4 7/8	4 7/8	2 7/8	3/8	1 1/16	1 3/8	-	3/8
ULI50-2N	UULI50-2N	300 MCM	500 MCM	2	1 1/2	3	9/16	5 1/8	5 1/8	2 7/8	3/8	5/8	1 3/4	-	1/2
ULI50-4	UULI50-4	300 MCM	500 MCM	3	2 1/4	2 1/4	7/16	4 3/8	4 3/8	2 7/8	3/8	9/16	1 1/8	1 1/8	3/8
ULI50-4N	UULI50-4N	300 MCM	500 MCM	3	3	3	9/16	5 1/8	5 1/8	2 7/8	3/8	5/8	1 3/4	1 3/4	1/2
ULI80-1	UULI80-1	500 MCM	800 MCM	1	2 3/8	2 3/4	9/16	4 5/8	4 5/8	3 3/8	3/8	1 1/16	-	-	1/2
ULI80-2	UULI80-2	500 MCM	800 MCM	2	1 3/4	3	9/16	5 1/4	5 1/4	3 3/8	3/8	3/4	1 1/8	-	1/2
ULI80-2N	UULI80-2N	500 MCM	800 MCM	2	1 3/4	3	9/16	5 1/4	6 3/4	3 3/8	3/8	5/8	1 3/4	-	1/2
ULI80-4	UULI80-4	500 MCM	800 MCM	3	2 1/4	2 1/4	7/16	4 1/2	4 1/2	3 3/8	3/8	9/16	1 1/8	1 1/8	1/2
ULI80-4N	UULI80-4N	500 MCM	800 MCM	3	3	3	9/16	5 1/4	6 3/4	3 3/8	3/8	5/8	1 3/4	1 3/4	1/2
ULI100-1	UULI100-1	750 MCM	1000 MCM	1	2 1/2	2 1/2	9/16	4 7/8	4 7/8	3 1/2	1/2	1 1/4	-	-	1/2
ULI100-2	UULI100-2	750 MCM	1000 MCM	2	2	3 1/8	9/16	5 1/2	5 1/2	3 1/2	1/2	3/4	1 5/8	-	1/2
ULI100-2N	UULI100-2N	750 MCM	1000 MCM	2	2	3	9/16	5 3/8	5 3/8	3 1/2	1/2	5/8	1 3/4	-	1/2
ULI100-4	UULI100-4	750 MCM	1000 MCM	3	2 3/8	2 3/8	7/16	4 3/4	4 3/4	3 1/2	1/2	9/16	1 1/4	1 1/4	1/2
ULI100-4N	UULI100-4N	750 MCM	1000 MCM	3	3	3	9/16	5 3/8	5 3/8	3 1/2	1/2	5/8	1 3/4	1 3/4	1/2
ULI150-1	UULI150-1	1000 MCM	1500 MCM	1	2 3/4	2 3/4	9/16	5 1/2	5 1/2	3 3/4	9/16	1 3/8	-	-	1/2
ULI150-2	UULI150-2	1000 MCM	1500 MCM	2	2	3 1/8	9/16	5 3/4	5 3/4	3 3/4	9/16	3/4	1 5/8	-	1/2
ULI150-2N	UULI150-2N	1000 MCM	1500 MCM	2	2	3	9/16	5 5/8	5 5/8	3 3/4	9/16	5/8	1 3/4	-	1/2
ULI150-4	UULI150-4	1000 MCM	1500 MCM	3	2 3/4	2 3/4	9/16	5 3/8	5 3/8	3 3/4	9/16	11/16	1 1/2	1 1/2	1/2
ULI150-4N	UULI150-4N	1000 MCM	1500 MCM	3	3	3	9/16	5 5/8	5 5/8	3 3/4	9/16	5/8	1 3/4	1 3/4	1/2
ULI200-1	UULI200-1	1500 MCM	2000 MCM	1	2 3/4	2 3/4	9/16	5 7/8	5 7/8	4 1/8	9/16	1 3/8	-	-	1/2
ULI200-2	UULI200-2	1500 MCM	2000 MCM	2	2 1/8	3 1/4	9/16	6 1/8	6 1/8	4 1/8	9/16	11/16	1 5/8	-	1/2
ULI200-2N	UULI200-2N	1500 MCM	2000 MCM	2	2 3/4	3	9/16	5 7/8	5 7/8	4 1/8	9/16	5/8	1 3/4	-	1/2
ULI200-4	UULI200-4	1500 MCM	2000 MCM	3	3 1/8	3 1/8	9/16	6	6	4 1/8	9/16	3/4	1 3/4	1 3/4	1/2
ULI200-4N	UULI200-4N	1500 MCM	2000 MCM	3	3	3	9/16	5 7/8	5 7/8	4 1/8	9/16	5/8	1 3/4	1 3/4	1/2

L* = Length for UULI items



DOSSERT®

Bronze Terminals, Taps

Bronze Terminals, Taps