

Type APT-N-V-AA-HT

Bolted Terminal Connector – High Temperature

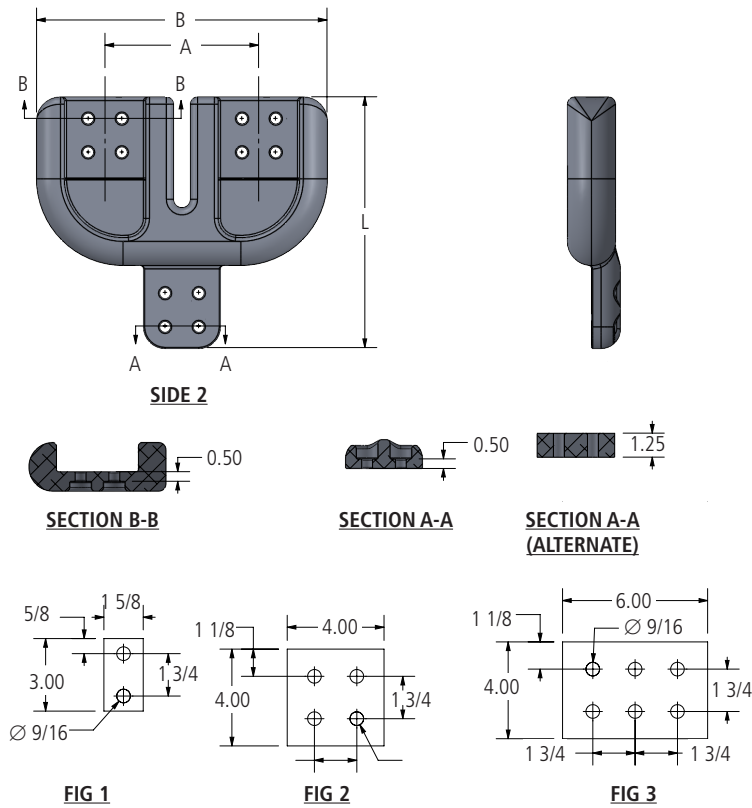
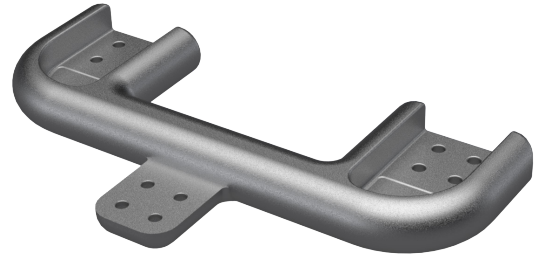
Expands one NEMA pad to two NEMA pad. Useful for connecting twin lines. When using for high temperature operation, up to 250°C, Everdur nuts and stainless-steel bolts, flat washers and Belleville washers must be used.

Material

Aluminum Alloy

Notes

- For Mounting Hardware, add "-TMH" to catalog number.
EX: APT6N4-18-V-AA-TMH
- For Hardware Shield, add "-CSBV" to catalog number.
EX: APT6N4-18-V-AA-CSBV
- For Stainless Steel bolts, lockwashers and Everdur nuts, add "-SSHBN" to catalog number. EX: APT6N4-18-V-AA-SSHBN



Ordering Information

Catalog Number	Figure Number		Section A-A	Dimensions (inches)		
	Side 1	Side 2		A	B	L
APT4N4-8-V-AA	2	2	–	8.00	15.13	13.06
APT4N4-12-V-AA	2	2	–	12.00	19.13	13.06
APT4N4-18-V-AA	2	2	–	18.00	25.13	13.06

AFL's Dossier® product line offers a wide range of substation accessories in low voltage up to 765 kV applications in bronze or aluminum materials.