

For complete installation instructions and videos, visit www.AFLglobal.com/APEX or use the QR code.



APEX® ADSS AERIAL HANGER BRACKET KIT

The family of Apex Closures can be mounted on ADSS hardware using the Apex ADSS Hanger Bracket Kit.

Ordering Information

DESCRIPTION	AFL NO.
Apex ADSS Aerial Hanger Bracket Kit – includes hanger bracket, lock nut, split washer, ADSS bracket, tie straps, rubber wraps (2)	AX-KIT-AERIAL-ADSS

IMPORTANT:

The Apex ADSS Hanger Bracket is designed for mounting the Apex Closure only on the Formed Wire Dead End hardware of the ADSS cable, and not directly on the ADSS cable itself. Both ADSS Hanger Brackets supporting the closure must be mounted on the ADSS dead end hardware to prevent cable damage.

PREPARE ADSS HANGER BRACKET ASSEMBLY

1. Prior to installing the ADSS Hanger Bracket Assembly on the Apex Closure, the mounting hardware must be assembled.
2. Remove the ADSS Hanger Bracket kit components from the packaging.
3. Insert the ADSS Bracket into the Hanger Bracket as shown in **Figure 1**.
NOTE: It is important that the Split Washer is placed between the two brackets to ensure a flush fit.

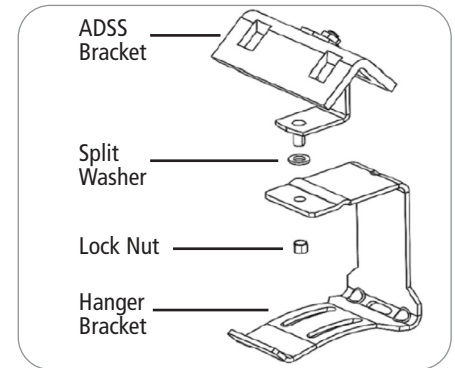


Figure 1 – ADSS Hanger Bracket Component Assembly

4. Align the ADSS Bracket to the Hanger Bracket at 90 degrees to the Apex Closure as shown in **Figure 2**.
5. Using a size-appropriate wrench, securely tighten the 7/16-inch lock nut to 60 in-lbs while ensuring the two brackets remain in proper alignment as per **Figure 2**.



Figure 2 – ADSS Hanger Bracket Component Alignment

continued
→

INSTALLATION OF HANGER BRACKET ASSEMBLY ON APEX CLOSURE

1. Install Apex Hanger Bracket Assembly on closure dome so that the Apex internal basket is at the bottom and facing up inside the dome. This is confirmed by the Mount Insert oriented at the top of the base when installing hanger brackets. **(Figure 3)**
2. Both Hanger brackets should face the same direction. **(Figure 4)**
3. Install the straps through the two slots in hanger bracket. **(Figure 5)**
4. Place brackets on the closure dome tabs making sure the Mount Insert is at the top. **(Figure 6)**

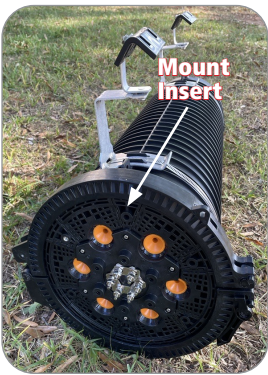


Figure 3



Figure 4

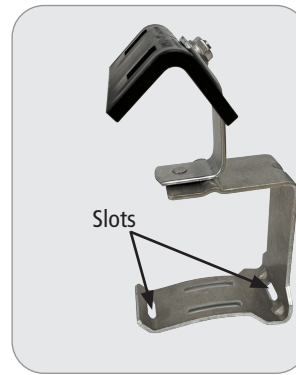


Figure 5



Figure 6

5. Route straps around closure and engage worm gear. Make sure the straps are routed between the guides on the Apex dome. **(Figure 7)**
6. Tighten and secure both straps, trim excess from mounting straps if desired.

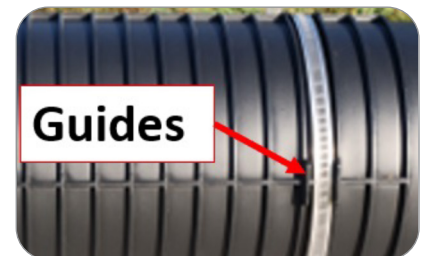


Figure 7

continued
→

INSTALLING APEX ON ADSS FORMED WIRE DEAD END HARDWARE

1. With the ADSS Hanger Bracket Assembly secured to the Apex Closure, the Apex Closure can be mounted to the ADSS Formed Wire Dead End Hardware using Rubber Wraps included with the kit.
 - The purpose of the Rubber Wraps is to provide a protective layer at the interface between the formed wire hardware and ADSS Bracket.
2. Place the two Rubber Wraps included with the kit on the ADSS Formed Wire Dead End where the ADSS Hanger Brackets will be secured as per **Figure 8**.

NOTE: The opening of the Rubber Wraps must face downward, and depending on the diameter the formed wire dead end, the wraps may not completely cover the full circumference of the hardware – this is acceptable.



Figure 8 – Rubber Wrap Positioning

3. Hang the Apex Closure by the ADSS Hanger Brackets on the ADSS Formed Wire Dead End.
NOTE: Ensure both brackets are completely on the formed wire dead end and not directly on the ADSS cable.
4. Ensure the Rubber Wraps are centered under each of the two ADSS Hanger Brackets with the opening of the Rubber Wraps oriented downward. (**Figure 9**)
5. To complete the installation, use the tie straps provided with the kit to securely tighten the ADSS Hanger Brackets to the ADSS Formed Wire Dead Ends. (**Figure 10**)



Figure 9



Figure 10