

APEX® RESTORATION KIT

Apex Restoration Kit Contents and Configuration include:

- 2 each Apex X-2S closures
- Apex X-2S hardware (packaged inside each closure dome), includes:
 - 6 each splice trays
 - 4 each Cable Attachment Units (CAUs)
 - 1 each packet closure sealing grease
 - Velcro for fiber retention in closure basket
- 24 each foam retention grommets for retaining SpiderWeb Ribbon® (SWR®) bundles to splice trays
 - 12 each packaged inside each closure dome
- Restoration Kit instructions (packaged inside each closure dome)
- Apex X-2S Closure instructions (packaged inside each closure dome)
- Wrapping Tube Cable (WTC) with SWR
 - 144 fiber or 288 fiber, typically 500 feet or 1,000 feet, depending on specific fiber count and cable length ordered by customer. Cable packaged on a single plastic rigid reel.
- All kit components are palletized, with the Apex X-2S closures secured to the WTC reel flange. (Figure 1)

Both splice closures will be secured to the reel and pallet with two strapping bands

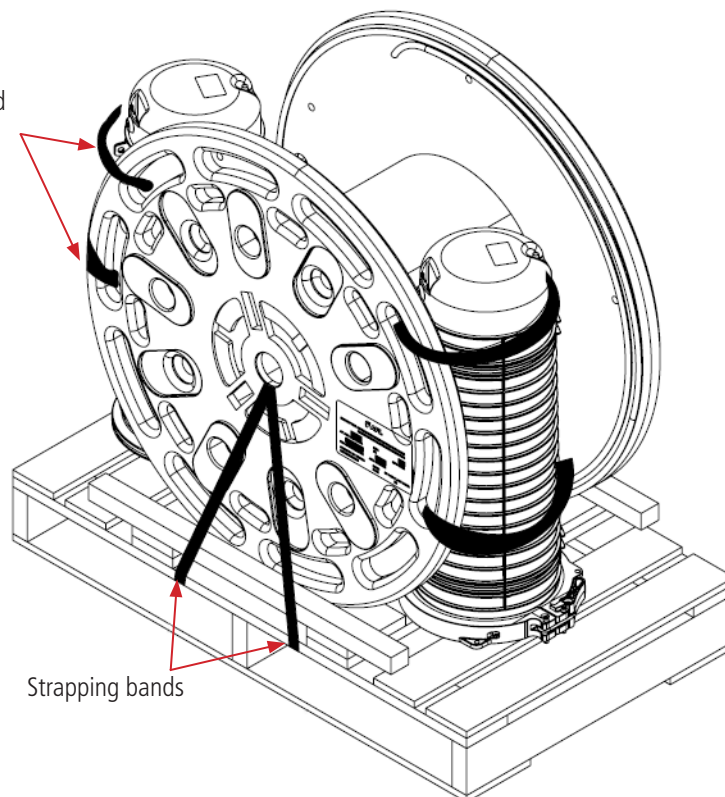


Figure 1 – Apex Restoration Kit Packaging Configuration

RESTORATION KIT INSTALLATION INSTRUCTIONS

1. Remove Restoration Kit packaging from the cable reel and Apex closures.

IMPORTANT – Be careful not to damage cable when cutting the packaging from the kit, reel and Apex X-2S closures.

NOTE – Closure instructions and hardware will be shipped inside each closure.

2. Cable will be configured on a plastic, rigid reel with a total cable length as ordered by the customer, typically 500 feet or 1,000 feet. “Length B” will be approximately 75 feet of cable secured separately to one of the inside flanges of the reel, with the remainder of the cable length on the reel drum, “Length A”. (Figure 2)
 - a. Length A is for the far-end of the restoration section.
 - b. Length B is for the near-end of the restoration section.

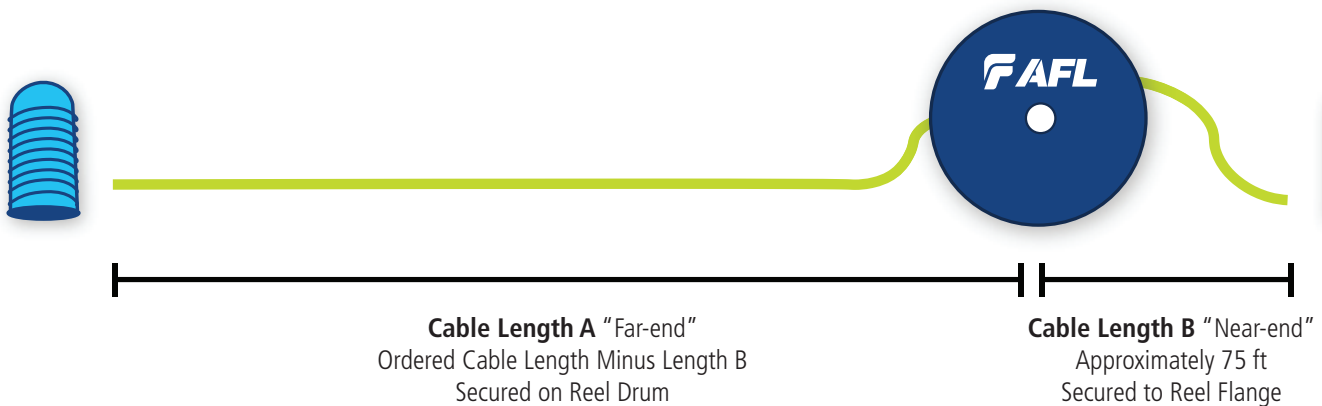


Figure 2 – Apex Restoration Kit Cable Length A/Length B Configuration

3. Place the cable reel on an appropriate cable pay-out stand.
4. First deploy the required amount of cable from **Length A** (not to exceed cable length on reel drum) to the far-end of the restoration section.

IMPORTANT – Length A, far-end length of cable, should be paid-off the cable reel to the desired length before releasing Length B, near-end length of cable, from the reel flange to prevent Length B cable-end from interfering with far-end cable pay-out from reel.

5. Begin Length A (far-end) cable and closure preparation with one of the two Apex X-2S closures provided.
 - a. Prepare the Apex X-2S closure as per the published AFL instructions included inside the closure dome. The QR code (right) links to the Apex X-2S product web page with digital instructions as well as instructional videos on Closure preparation.

NOTE – If gel compression screws are tightened release them for each cable port planned for use.



Apex X-2S
product web page

- b. Using the end-preparation instructions for AFL WTC with SWR, prepare the optical fiber cable. The QR code (right) links to the AFL WTC/SWR product page with instructional videos on cable preparation.



WTC with SWR
product web page

RESTORATION KIT INSTALLATION INSTRUCTIONS (cont.)

6. Next release Length B near-end cable from the reel flange and deploy the required amount of cable (up to 75 ft) to the near-end of the restoration section.
7. Begin Length B (Near-end) cable and closure preparation with one of the two X-2S closures provided.
 - a. Prepare the AFL Apex X-2S closure as per step 5a.

NOTE – *If sealing wedge screws are tightened release them for each cable port planned for use.*

- b. Prepare WTC cable as per step 5b.

8. Upon completion of restoration kit use, recover cable, closures and hardware, and repackage in original configuration for next use.

NOTE – *As referenced below, an Apex re-use kit is available separately to replace closure consumable items for Restoration Kit reset prior to next use.*

NOTE – *All Apex components (sealing wedges, splice trays, etc.) are available separately as well for any replacement parts needed for Restoration Kit reset prior to next use.*

Restoration Re-Use Kit (sold separately)

The kit is designed to replace the consumable items after each Restoration Kit employment. This kit part number contains two separate bags each containing the following items for replacement in each Apex dome to reset kit consumables before next use.

- 12 each foam retention grommets for retaining SWR bundles to splice trays
- 1 each Apex sealing grease packets
- 3 each Apex port plugs
- 2 each Apex CAU kits
- 1 each length of Velcro of fiber retention in closure basket
- 1 set of Apex closure instructions
- 1 set of Apex Restoration Kit instructions