

CB-44-3AL External Coil Bracket

Features

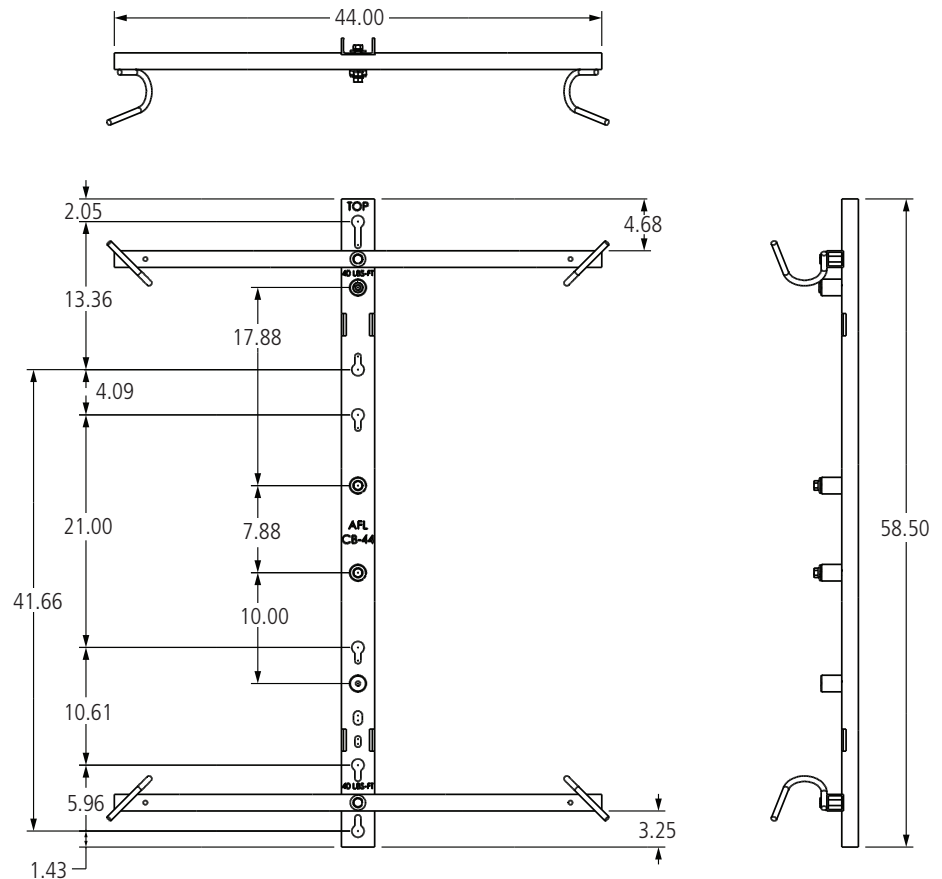
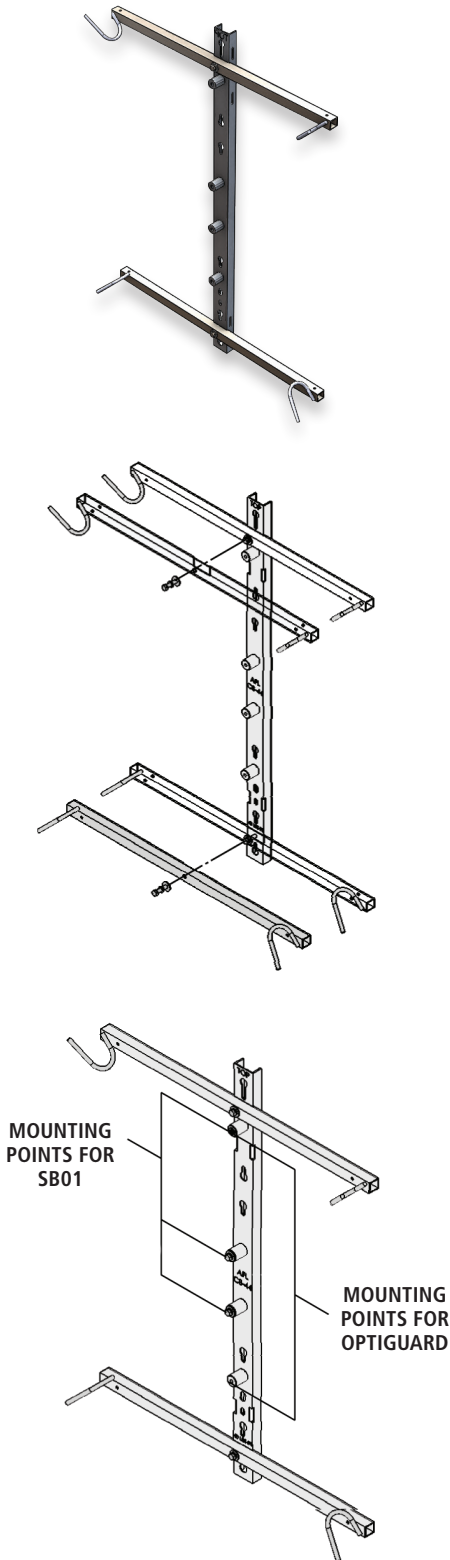
- Stores extra length of ADSS or OPGW
- Aluminum Material
- For use with SB01 and Opti-Guard splice enclosures
- Shipped in three pieces, requires field assembly
- Can be bolted or banded to structure

Estimated Cable Storage Lengths and Loading Capacity

| CABLE O.D. (IN) | ESTIMATED CABLE LENGTH (FT) | LOADING CAPACITY (LBS) |
|-----------------|-----------------------------|------------------------|
| 0.50 | 400 | 400 |
| 0.75 | 200 | |
| 1.00 | 150 | |

NOTE: For cable storage capacity greater than either of the values in table, please contact AFL.

Dimensions



NOTE:
Place tube assemblies in location as shown.

Ordering Information

| MODEL | AFL NO. |
|---------------------------------|-----------|
| CB-44-3AL External Coil Bracket | CB-44-3AL |