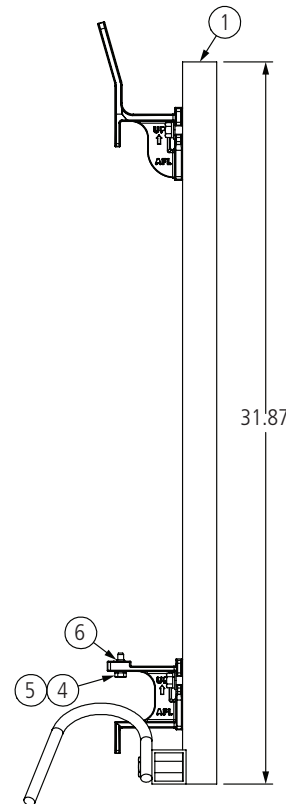
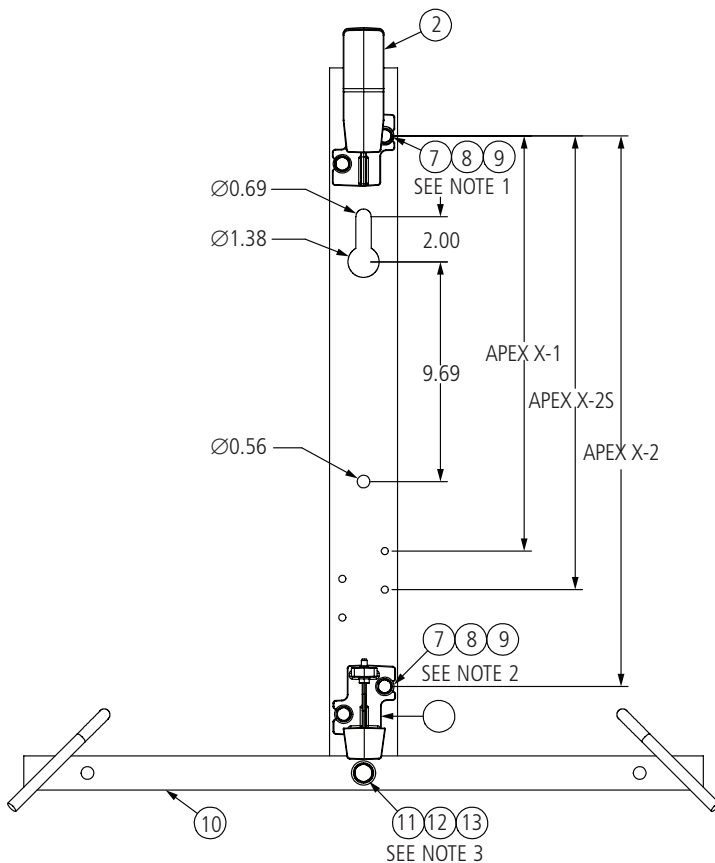
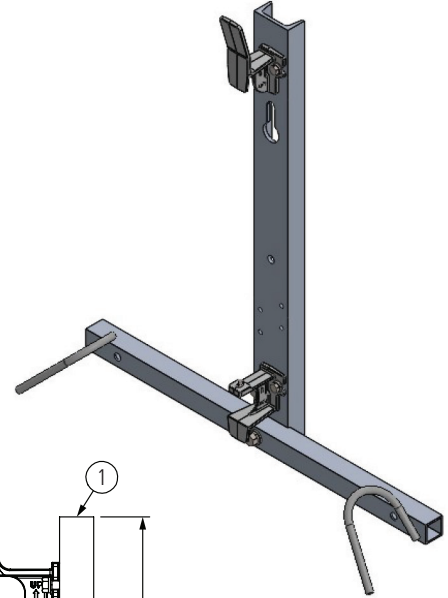
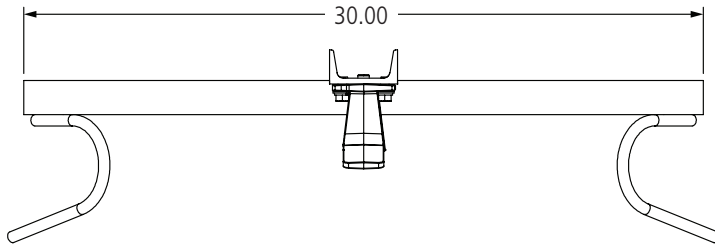


Installation Instructions

CB-AX2H-2AL Coil Storage Bracket



NOTES

1. Install top mounting bracket (item 2) to channel (item 1) as shown. Torque bolt (item 7) to 20 FT-LBS.
2. Install bottom mounting bracket (item 3) to channel (item 1) in appropriate location for Apex® size. Torque bolt (item 7) to 20 FT-LBS.
3. Install square tube (item 10) to channel (item 1) in orientation as shown. Torque bolt (item 11) to 35 FT-LBS.

BILL OF MATERIAL

- | | |
|-----------------------------------|-----------------------------------|
| 1. Channel | 8. Flat Washer 3/8" x 13/16" |
| 2. Apex Mounting Bracket, Top | 9. Split Lock Washer 3/8" |
| 3. Apex Mounting Bracket, Bottom | 10. Square Tube Assembly |
| 4. Hex Head Bolt 1/4"-20 x 0.875" | 11. Hex Head Bolt 1/2"-13 x 2.00" |
| 5. Split Lock Washer 1/4" | 12. Split Lock Washer 1/2" |
| 6. O-Ring | 13. Flat Washer 1/2" x 1-1/4" |
| 7. Hex Head Bolt 3/8"-16 x 0.25" | |