

TYPE 33800 EHV – High Temperature Cable Support

Single conductor strain bus support is designed to be corona free for 345 kV service. Support is designed with universal groove to accept conductors with diameter from 1.545" to 2.158".

Material

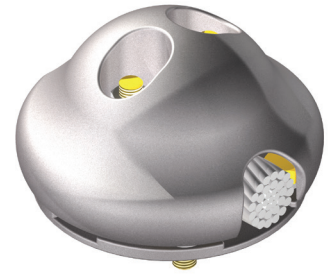
Aluminum Alloy

Mounting Hardware

Galvanized steel bolts and lockwashers.

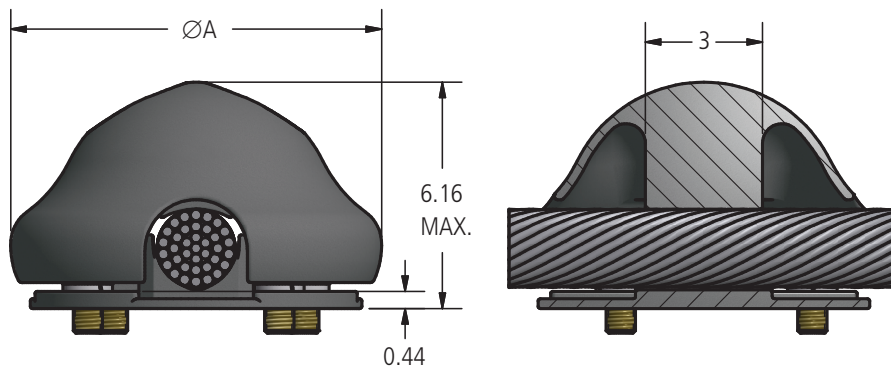
Hardware

Yellow anodized aluminum bolts, nuts, and lockwashers.



Notes

- For use at high temperatures up to 250°C, add "-HT" to catalog number. Example: 33805-5 EHV-HT



Ordering Information

Catalog Number	Conductor Diameter Range	Dimensions in inches	Nominal Weight lbs
		A	
5" Bolt Circle			
33805-5 EHV	1.545 - 2.158	7.25	4.5
7" Bolt Circle			
33805-7 EHV	1.545 - 2.158	9.5	6.6

AFL's Dossier® product line offers a wide range of substation accessories in low voltage up to 765 kV applications in bronze or aluminum materials.