

TCL-N-V-AA-HT

Bolted Terminal Connector – High Temperature

Bolted tap is designed to be corona free for 345 kV and 500 kV operation when pad covers are used to shield terminal hardware.

Material

Aluminum Alloy

Hardware

Stainless steel bolts, washers and Everdur nuts

Notes

- Suitable for applications up to 250°C
- For Finished Surface on both sides of Pad, add "F" to catalog number.
Example: TCL-79-4N4F-V-AA-HT
- For Hardware Shield, add "-CSBV" to catalog number.
Example: TCL79-4N4-V-AA-HT-CSBV



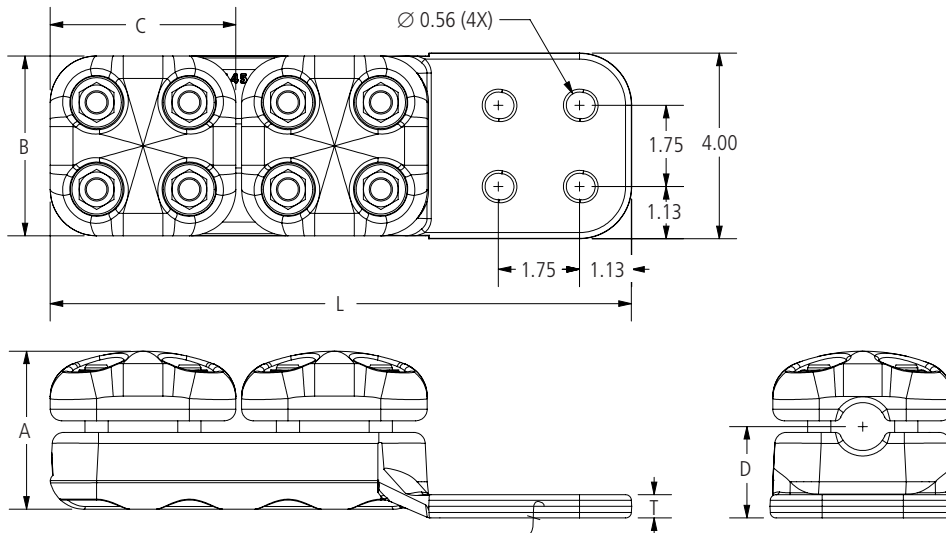
TCL-N-A-AA-HT



Side View



Front View



Ordering Information

Catalog Number	Cable Range			Diameter	Dimensions (inches)					
	MIN	MAX	ACSS		A	B	C	D	L	T
TCL79-4N4-V-AA-HT	700 MCM	795 MCM	555.6 (30/7), 605 (24/7, 26/7, 30/7, 30/19), 636 (18/1, 36/1, 24/7, 26/7, 30/7, 30/19), 666.6 (24/7, 26/7)	0.940-1.026	3.41	3.88	4.00	1.97	12.53	0.50
TCL95-4N4-V-AA-HT	800 MCM	954 MCM	715.5 (24/7, 26/7, 30/19), 795 (36/1, 26/7, 45/7, 54/7, 30/19), 900 (45/7)	1.032-1.140	3.52	3.88	4.00	2.08	12.53	0.50
TCL103-4N4-V-AA-HT	1000 MCM	1033.5 MCM	900 (54/7), 954 (45/7, 54/7)	1.172-1.196	3.63	3.88	4.00	2.19	12.58	0.50
TCL127-4N4-V-AA-HT	1113 MCM	1272 MCM	1033.5 (45/7, 54/7), 1113 (45/7, 54/19)	1.216-1.300	3.81	4.50	4.50	2.25	13.66	0.50
TCL140-4N4-V-AA-HT	1300 MCM	1400 MCM	1192.5 (45/7, 54/19), 1272 (45/7, 54/19)	1.315-1.385	3.81	4.50	4.50	2.25	13.67	0.50

AFL's Dossier® product line offers a wide range of substation accessories in low voltage up to 765 kV applications in bronze or aluminum materials.