

## DOSSERT® TYPE XWWC-AA, XWWC-E-AA

### Bus Expansion Coupler

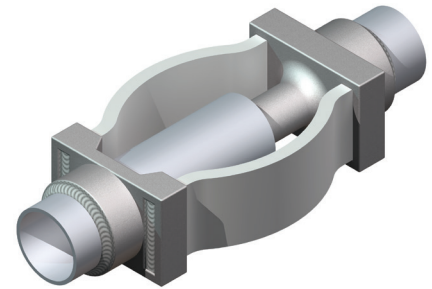
Expansion coupler for aluminum pipe connections. Provided with alignment guide for field welds.

#### Material

Aluminum Alloy

#### Notes

1. If alignment guide is not required, add "P" to the catalog number prefix. EX: XWWCP100-AA.
2. For Dimension "E", refer to pages 11-12 in the General Information section.



230 kV Aluminum Welded Couplers

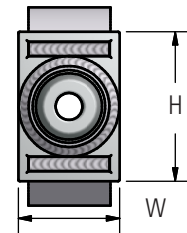
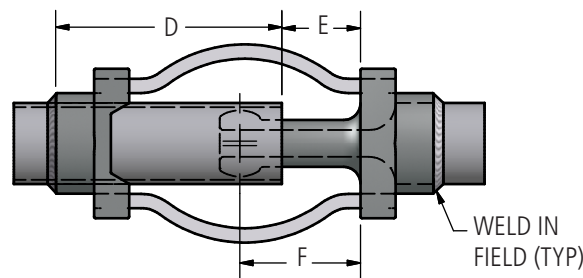


FIG. 1

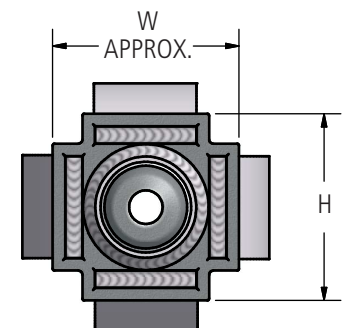
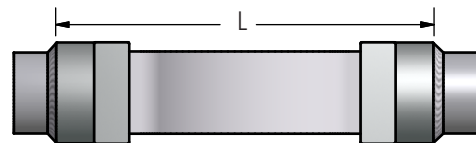


FIG. 2

### Ordering Information

CATALOG NUMBER		SPS	FIG. NO.	DIMENSIONS IN INCHES				
SCH 40	SCH 80			D	F	H	L	W
XWWC100-AA	XWWC100E-AA	1	1	5 3/4	3 1/4	3	8 9/16	1 3/4
XWWC125-AA	XWWC125E-AA	1 1/4	1	6 3/4	3 1/4	3 1/4	9 1/2	2
XWWC150-AA	XWWC150E-AA	1 1/2	1	7 1/4	3 1/2	3 1/2	10 5/16	2 1/4
XWWC200-AA	XWWC200E-AA	2	1	7 7/16	4 3/4	3 3/4	11 3/4	3 13/16
XWWC250-AA	XWWC250E-AA	2 1/2	1	8 7/16	4 3/4	5 5/16	12 13/16	3 13/16
XWWC300-AA	XWWC300E-AA	3	1	8 3/8	5 9/16	6 1/4	13 13/16	3 13/16
XWWC350-AA	XWWC350E-AA	3 1/2	1	10	4 3/4	6 13/16	14 7/8	3 13/16
XWWC400-AA	XWWC400E-AA	4	2	10 7/16	4 3/4	7 1/8	15 13/16	7 1/8
XWWC500-AA	XWWC500E-AA	5	1	11 1/8	6 5/8	9 1/8	17 1/8	6 1/16
XWWC600-AA	XWWC600E-AA	6	2	11 1/8	6 5/8	9 9/16	18	9 9/16