

## DOSSERT® TYPE CFTV-N-AA Terminal Lug

Tee connector designed to connect aluminum cables to aluminum pad for flat bolt on connection. Pads conform to NEMA standards.

### Material

Aluminum Alloy

### Hardware

Yellow anodized aluminum nuts, bolts and lockwashers.

### Notes

1. For Stainless Steel bolts, lockwashers and Everdur nuts, add "-SSHBN" to catalog number. EX: CFTV160-4N-NN-SSHBN
2. For Grade Five Galvanized Steel Hardware, add "-GS5" to catalog number. EX: CFTV160-4N-AA-GS5

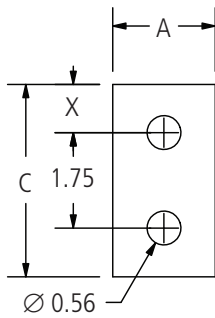
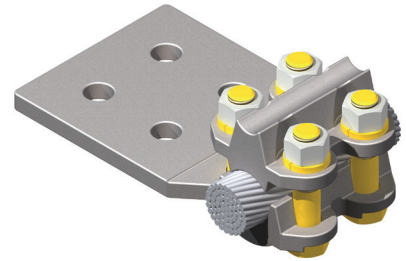


FIG. 2

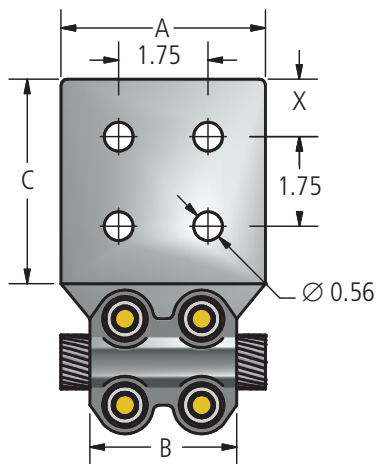


FIG. 1

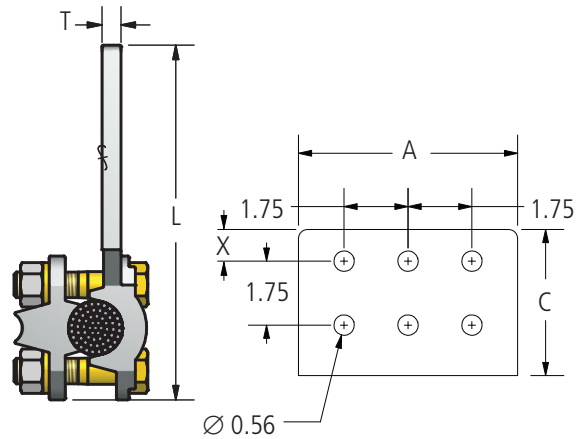


FIG. 3

## Ordering Information

CATALOG NUMBER	CABLE RANGE				FIG. NO.	DIMENSIONS IN INCHES						BOLT SIZE
	ALUMINUM		ACSR			A	B	C	L	T	X	
	MIN	MAX	MIN	MAX								
CFTV25-2N-AA	1/0 STR.	250 MCM	1/0	4/0	2	2.00	3.00	3.00	5.63	0.31	0.63	1/2
CFTV25-3N-AA	1/0 STR.	250 MCM	1/0	4/0	1	3.00	3.00	3.00	5.56	0.31	0.63	1/2
CFTV25-4N-AA	1/0 STR.	250 MCM	1/0	4/0	1	4.00	3.00	3.00	5.56	0.31	0.63	1/2
CFTV25-4N4-AA	1/0 STR.	250 MCM	1/0	4/0	1	4.00	3.00	4.00	6.56	0.31	1.13	1/2
CFTV40-2N-AA	250 MCM	400 MCM	4/0	397.5	2	2.00	3.00	3.00	5.63	0.38	0.63	1/2
CFTV40-3N-AA	250 MCM	400 MCM	4/0	397.5	1	3.00	3.00	3.00	5.75	0.38	0.63	1/2
CFTV40-4N-AA	250 MCM	400 MCM	4/0	397.5	1	3.00	3.00	3.00	5.75	0.38	0.63	1/2
CFTV40-4N4-AA	250 MCM	400 MCM	4/0	397.5	1	4.00	3.00	4.00	6.75	0.38	1.13	1/2
CFTV60-2N-AA	350 MCM	600 MCM	336.4	477	2	2.00	3.00	3.00	5.94	0.38	0.63	1/2
CFTV60-3N-AA	350 MCM	600 MCM	336.4	477	1	3.00	3.00	3.00	5.94	0.38	0.63	1/2
CFTV60-4N-AA	350 MCM	600 MCM	336.4	477	1	4.00	3.00	3.00	5.94	0.38	0.63	1/2
CFTV60-4N4-AA	350 MCM	600 MCM	336.4	477	1	4.00	3.00	4.00	6.94	0.38	1.13	1/2
CFTV60-6N4-AA	350 MCM	600 MCM	336.4	477	3	6.00	3.00	4.00	6.94	0.38	1.13	1/2
CFTV90-2N-AA	500 MCM	900 MCM	477	795	2	2.00	3.00	3.00	6.13	0.50	0.63	1/2
CFTV90-3N-AA	500 MCM	900 MCM	477	795	1	3.00	3.00	3.00	6.13	0.50	0.63	1/2
CFTV90-4N-AA	500 MCM	900 MCM	477	795	1	4.00	3.00	3.00	6.63	0.50	0.63	1/2
CFTV90-4N4-AA	500 MCM	900 MCM	477	795	1	4.00	3.00	4.00	7.13	0.50	1.13	1/2
CFTV125-2N-AA	900 MCM	1250 MCM	715	1113	2	2.00	3.25	3.00	6.31	0.50	0.63	1/2
CFTV125-3N-AA	900 MCM	1250 MCM	715	1113	1	3.00	3.25	3.00	6.31	0.50	0.63	1/2

## DOSSERT®

### TYPE CFTV-N-AA

#### Terminal Lug

#### Ordering Information

CATALOG NUMBER	CABLE RANGE				FIG. NO.	DIMENSIONS IN INCHES						BOLT SIZE
	ALUMINUM		ACSR			A	B	C	L	T	X	
	MIN	MAX	MIN	MAX								
CFTV125-4N-AA	900 MCM	1250 MCM	715	1113	1	3.00	3.25	3.00	6.31	0.50	0.63	1/2
CFTV125-4N4-AA	900 MCM	1250 MCM	715	1113	1	4.00	3.25	4.00	7.31	0.50	1.13	1/2
CFTV125-6N4-AA	900 MCM	1250 MCM	715	1113	3	6.00	3.25	4.00	7.31	0.50	1.13	1/2
CFTV160-3N-AA	1250 MCM	1600 MCM	1113	1431	1	3.00	4.38	3.00	6.88	0.56	0.63	5/8
CFTV160-4N-AA	1250 MCM	1600 MCM	1113	1431	1	4.00	4.38	3.00	6.88	0.56	0.63	5/8
CFTV160-4N4-AA	1250 MCM	1600 MCM	1113	1431	1	4.00	4.38	4.00	7.88	0.56	1.13	5/8
CFTV160-6N4-AA	1250 MCM	1600 MCM	1113	1431	3	6.00	4.38	4.00	7.88	0.56	1.13	5/8
CFTV200-2N-AA	1500 MCM	2000 MCM	1272	1780	2	2.00	4.50	3.00	7.00	0.69	0.63	5/8
CFTV200-3N-AA	1500 MCM	2000 MCM	1272	1780	1	3.00	4.50	3.00	7.00	0.69	0.63	5/8
CFTV200-4N-AA	1500 MCM	2000 MCM	1272	1780	1	4.00	4.50	3.00	7.00	0.69	0.63	5/8
CFTV200-4N4-AA	1500 MCM	2000 MCM	1272	1780	1	4.00	4.50	4.00	8.00	0.69	1.13	5/8
CFTV200-6N4-AA	1500 MCM	2000 MCM	1272	1780	3	6.00	4.50	4.00	8.00	0.69	1.13	5/8
CFTV250-2N-AA	2000 MCM	2500 MCM	1780	2300	2	2.00	4.50	3.00	7.19	0.75	0.63	5/8
CFTV250-3N-AA	2000 MCM	2500 MCM	1780	2300	1	3.00	4.50	3.00	7.00	0.69	0.63	5/8
CFTV250-4N-AA	2000 MCM	2500 MCM	1780	2300	1	4.00	4.50	3.00	7.38	0.75	0.63	5/8
CFTV250-4N4-AA	2000 MCM	2500 MCM	1780	2300	1	4.00	4.50	4.00	8.38	0.75	1.13	5/8
CFTV250-6N4-AA	2000 MCM	2500 MCM	1780	2300	3	6.00	4.50	4.00	8.38	0.75	1.13	5/8
CFTV300-4N-AA	2500 MCM	3000 MCM	2300	2870	1	4.00	4.50	3.00	7.56	0.75	0.63	5/8
CFTV300-4N4-AA	2500 MCM	3000 MCM	2300	2870	1	4.00	4.50	4.00	8.56	0.75	1.13	5/8

230 kV Aluminum Bolted Terminal Connectors