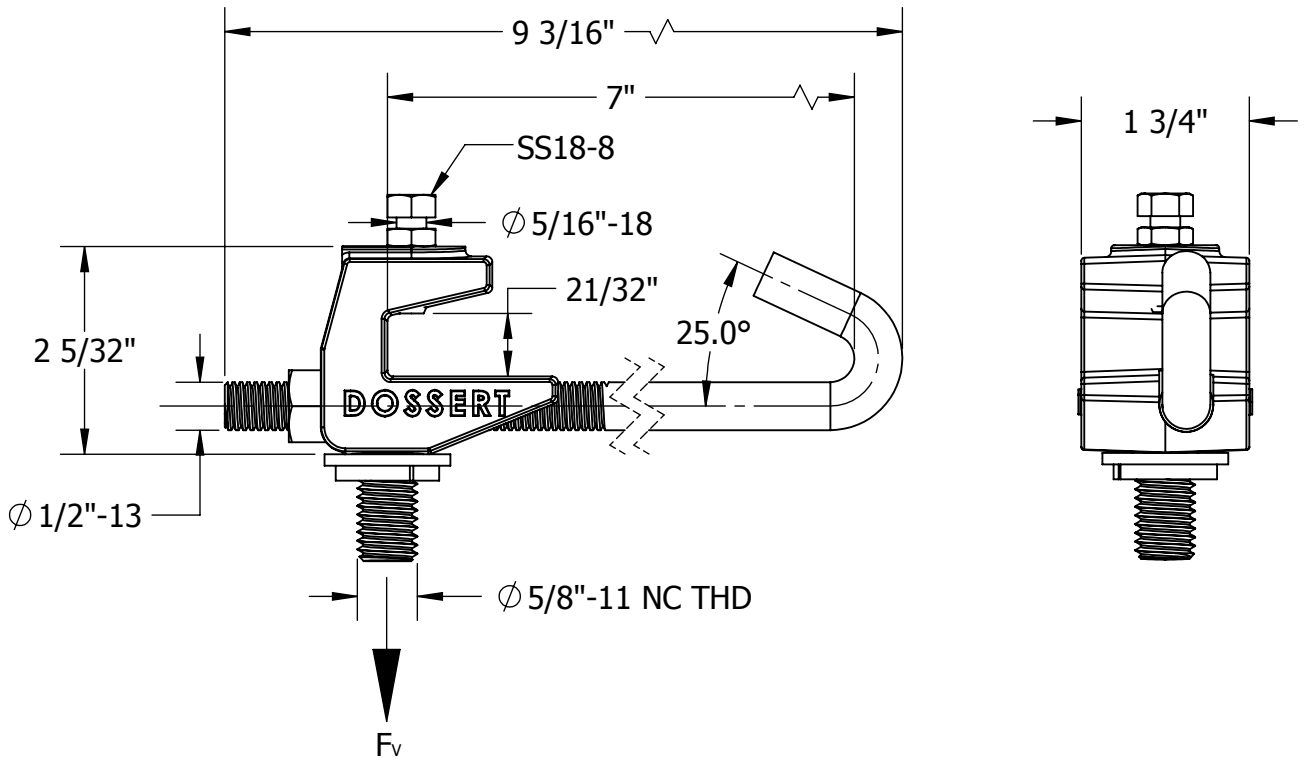


THIS DRAWING AND ALL INFORMATION ON IT IS THE PROPERTY OF AFL. IT IS CONFIDENTIAL AND IT IS GIVEN TO YOU FOR A LIMITED PURPOSE AND MUST BE RETURNED UPON REQUEST. NEITHER THIS DRAWING OR ANY PART OF IT NOR ANY INFORMATION CONCERNING IT MAY BE COPIED, EXHIBITED, OR FURNISHED TO OTHERS NOR PHOTOGRAPHS TAKEN OF ANY ARTICLE FABRICATED OR ASSEMBLED FROM THE DRAWING WITHOUT THE CONSENT OF AFL.

ITEM NO:

DWG. NO:



**MATERIAL:**

- ALUMINUM ALLOY B26
- NUT - SILICON BRONZE
- BOLTS, JAM NUT & WASHERS - STAINLESS STEEL

**MECHANICAL RATINGS:**

MIN. ULTIMATE STRENGTH (F<sub>v</sub>): 5000 LBS

WT: 0.60 LBS

LOCATION					CONTRACT NO		CUST / CONTR	
REVISIONS							<p>CLAMP, I-BEAM KIT (SPECIFY WF SIZE)</p>	
REV	DESCRIPTION	DATE	BY	APR				
DRN BY: DM DRN DATE: 07.21.15 CHK BY: JL CHK DATE: 07.21.15 PA 2015.231.0					REV	PART NO:		1 OF 1
					0	CWF-A01-XX		