

DOSSERT®

TYPE WP2C-N-AA, WP2CA-N-30-AA, WP2CA-N-45-AA, WP2CA-N-90-AA

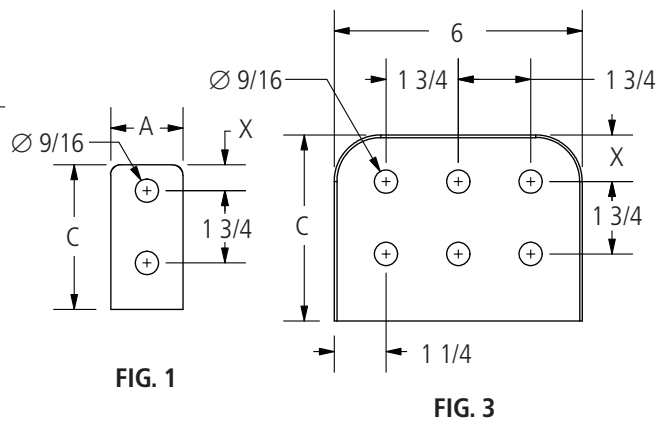
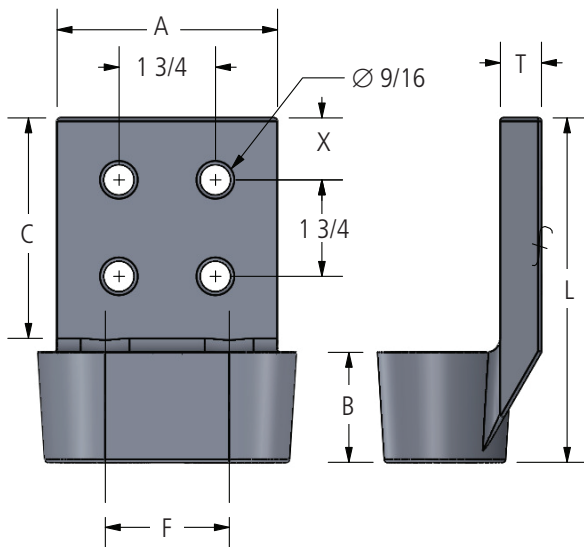
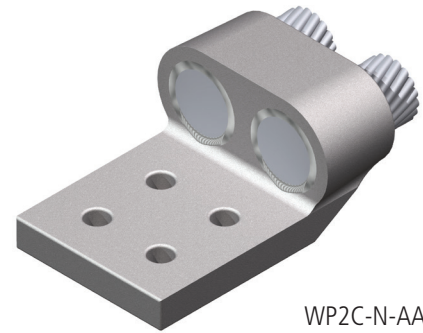
Welded Terminal to Two Cables

Material

Aluminum Alloy

Notes

1. Add "U" for undrilled. Ex: WP2C35-2NU-AA
2. Add "F" for finished on both sides
3. For a 30° add suffix '-30', for a 45° add suffix '-45', and for a 90° add suffix '-90'. You must also add an 'A' after WP2C.
4. For a 350 MCM cable, with a 4 hole pad finished on both sides, with a 45° angle use WP2CA35-4NF-45-AA.



continued
→



230 kV Aluminum Welded Terminal Connectors

DOSSERT®

TYPE WP2C-N-AA, WP2CA-N-30-AA, WP2CA-N-45-AA, WP2CA-N-90-AA

Ordering Information

CATALOG NUMBER	FIG. NO.	CABLE RANGE		DIMENSIONS IN INCHES							
		ALUMINUM	ACSR	A	B	C	F	L	T	X	
WP2C35-2N-AA	1	336.4 (19), 350 (19,37,61)	300 (26/7)	1 5/8	1 1/4	3	1 1/4	4 1/2	3/8	5/8	
WP2C35-4N-AA	2	336.4 (19), 350 (19,37,61)	300 (26/7)	3	1 1/4	3	1 1/4	4 1/2	3/8	5/8	
WP2C35-4N4-AA	2	336.4 (19), 350 (19,37,61)	300 (26/7)	4	1 1/4	4	1 1/4	5 1/2	3/8	1 1/8	
WP2C40-2N-AA	1	397.5 (19), 350 (19,37,61)	336.4 (18/1,26/7,30/7)	1 5/8	1 1/4	3	1 1/4	4 1/2	3/8	5/8	
WP2C40-4N-AA	2	397.5 (19), 400 (19,37)	336.4 (18/1,26/7,30/7)	3	1 1/4	3	1 3/8	4 1/2	3/8	5/8	
WP2C48-2N-AA	1	450 (19,37,61), 477 (19,37)	397.5 18/1,24/7,26/7,30/18)	1 5/8	1 1/4	3	1 3/8	4 1/2	3/8	5/8	
WP2C48-4N-AA	2	450 (19,37,61), 477 (19,37)	397.5 18/1,24/7,26/7,30/18)	3	1 1/4	3	1 3/8	4 1/2	3/8	5/8	
WP2C55-2N-AA	1	500 (19,37,61), 550 (61,91), 556.5 (19,37)	477 (18/1,24/7,26/7,30/7)	1 5/8	1 1/4	3	1 3/8	4 1/2	3/8	5/8	
WP2C55-4N-AA	2	500 (19,37,61), 550 (61,91), 556.5 (19,37)	477 (18/1,24/7,26/7,30/7)	3	1 1/4	3	1 3/8	4 1/2	3/8	5/8	
WP2C55-4N4-AA	2	500 (19,37,61), 550 (61,91), 556.5 (19,37)	477 (18/1,24/7,26/7,30/7)	4	1 1/4	4	1 3/8	5 1/2	3/8	1 1/8	
WP2C65-2N-AA	1	600 (37,61,91), 636 (37), 650 (37,61,91)	556.5 (18/1,24/7,26/7)	1 5/8	1 1/2	3	1 5/8	4 3/4	1/2	5/8	
WP2C65-4N-AA	2	600 (37,61,91), 636 (37), 650 (37,61,91)	556.5 (18/1,24/7,26/7)	3	1 1/2	3	1 5/8	4 3/4	1/2	5/8	
WP2C65-4N4-AA	2	600 (37,61,91), 636 (37), 650 (37,61,91)	556.5 (18/1,24/7,26/7)	4	1 1/2	4	1 5/8	5 3/4	1/2	1 1/8	
WP2C71-2N-AA	1	650 (37,61,91), 700 (37,61,91), 715.5 (37,61)	636 (24/7,26/7), 605 (24/7,26/7,30/19)	1 5/8	1 1/2	3	1 5/8	4 3/4	1/2	5/8	
WP2C71-4N-AA	2	650 (37,61,91), 700 (37,61,91), 715.5 (37,61)	636 (24/7,26/7), 605 (24/7,26/7,30/19)	3	1 1/2	3	1 5/8	4 3/4	1/2	5/8	
WP2C71-4N4-AA	2	650 (37,61,91), 700 (37,61,91), 715.5 (37,61)	636 (24/7,26/7), 605 (24/7,26/7,30/19)	4	1 1/2	4	1 5/8	5 3/4	1/2	1 1/8	
WP2C80-2N-AA	1	750 (37,61,91), 795 (37,61), 800 (61,91)	636 (30/19), 666.6 (24/7,26/7), 715.5 (27/4)	1 3/4	1 1/2	3	1 5/8	4 3/4	1/2	5/8	
WP2C80-4N-AA	2	750 (37,61,91), 795 (37,61), 800 (61,91)	636 (30/19), 666.6 (24/7,26/7), 715.5 (27/4)	3	1 1/2	3	1 5/8	4 3/4	1/2	5/8	
WP2C80-4N4-AA	2	750 (37,61,91), 795 (37,61), 800 (61,91)	636 (30/19), 666.6 (24/7,26/7), 715.5 (27/4)	4	1 1/2	4	1 5/8	5 3/4	1/2	1 1/8	
WP2C90-2N-AA	1	800 (61,91), 874.5 (37,61), 900 (37,61,91)	715.5 (30/19), 795 (36/1,45/7,24/7,54/7)	2	1 1/2	3	1 5/8	4 3/4	1/2	5/8	
WP2C90-4N-AA	2	800 (61,91), 874.5 (37,61), 900 (37,61,91)	715.5 (30/19), 795 (36/1,45/7,24/7,54/7)	3	1 1/2	3	1 5/8	4 3/4	1/2	5/8	
WP2C90-4N4-AA	2	800 (61,91), 874.5 (37,61), 900 (37,61,91)	715.5 (30/19), 795 (36/1,45/7,24/7,54/7)	4	1 1/2	4	1 5/8	5 3/4	1/2	1 1/8	
WP2C95-2N-AA	1	900 (37,61), 954 (37,61)	795 (30/19), 874.5 (54/7), 900 (45/7,54/7)	2	1 3/4	3	1 5/8	5	1/2	5/8	
WP2C95-4N-AA	2	900 (37,61), 954 (37,61)	795 (30/19), 874.5 (54/7), 900 (45/7,54/7)	3	1 3/4	3	1 5/8	5	1/2	5/8	
WP2C95-4N4-AA	2	900 (37,61), 954 (37,61)	795 (30/19), 874.5 (54/7), 900 (45/7,54/7)	4	1 3/4	4	1 5/8	6	11/16	1 1/8	
WP2C103-2N-AA	1	954 (37,61), 1000 (37,61,91), 1033.5 (37,61)	954,36/1,45/7,54/7)	2	1 3/4	3	1 3/4	5	1/2	5/8	
WP2C103-4N-AA	2	954 (37,61), 1000 (37,61,91), 1033.5 (37,61)	954,36/1,45/7,54/7)	3	1 3/4	3	1 3/4	5	1/2	5/8	
WP2C103-4N4-AA	2	954 (37,61), 1000 (37,61,91), 1033.5 (37,61)	954,36/1,45/7,54/7)	4	1 3/4	4	1 7/8	6	1/2	1 1/8	

continued →

230 kV Aluminum Welded



DOSSERT®

TYPE WP2C-N-AA, WP2CA-N-30-AA, WP2CA-N-45-AA, WP2CA-N-90-AA

Ordering Information

CATALOG NUMBER	FIG. NO.	CABLE RANGE		DIMENSIONS IN INCHES							
		ALUMINUM	ACSR	A	B	C	F	L	T	X	
WP2C111-2N-AA	1	1100 (91,127), 1113 (61)	1033.5 (36/1,45/7,54/7)	2 1/2	1 3/4	3	1 7/8	5	1/2	5/8	
WP2C111-4N-AA	2	1100 (91,127), 1113 (61)	1033.5 (36/1,45/7,54/7)	3	1 3/4	3	1 7/8	5	1/2	5/8	
WP2C111-4N4-AA	2	1100 (91,127), 1113 (61)	1033.5 (36/1,45/7,54/7)	4	1 3/4	4	1 5/8	6	11/16	1 1/8	
WP2C127R-4N-AA	2	1272MCM ROPELAY	NA	3	2	3	2 1/4	5 1/2	3/4	5/8	
WP2C127R-4N4-AA	2	1272MCM ROPELAY	NA	4	2	4	2 1/4	6 1/4	3/4	1 1/8	
WP2C135-2N-AA	1	1192.5 (61), 1200 (91,127), 1250 (91,127), 1272 (61), 1300 (91,127), 1351.5 (61)	1113 (45/7,54/19), 1192.5 (45/7,54/19)	2 1/2	2	3	2 1/4	5 1/4	5/8	5/8	
WP2C135-4N-AA	2	1192.5 (61), 1200 (91,127), 1250 (91,127), 1272 (61), 1300 (91,127), 1351.5 (61)	1113 (45/7,54/19), 1192.5 (45/7,54/19)	3	2	3	2 1/4	5 1/4	5/8	5/8	
WP2C135-4N4-AA	2	1192.5 (61), 1200 (91,127), 1250 (91,127), 1272 (61), 1300 (91,127), 1351.5 (61)	1113 (45/7,54/19), 1192.5 (45/7,54/19)	4	2	4	2 1/4	6 1/4	5/8	1 1/8	
WP2C151-2N-AA	2	1400 (91,127), 1431 (61), 1500 (91,127), 1510.5 (61)	1272 (45/7,54/19), 1351.5 (45/7,54/19)	3	2	3	2 1/4	5 1/4	3/4	5/8	
WP2C151-4N-AA	2	1400 (91,127), 1431 (61), 1500 (91,127), 1510.5 (61)	1272 (45/7,54/19), 1351.5 (45/7,54/19)	3	2	3	2 1/4	5 3/4	3/4	5/8	
WP2C151-4N4-AA	2	1400 (91,127), 1431 (61), 1500 (91,127), 1510.5 (61)	1272 (45/7,54/19), 1351.5 (45/7,54/19)	4	2	4	2 1/4	6 1/4	3/4	1 1/8	
WP2C151-6N4-AA	3	1400 (91,127), 1431 (61), 1500 (91,127), 1510.5 (61)	1272 (45/7,54/19), 1351.5 (45/7,54/19)	6	2	4	2 1/4	6 1/4	3/4	1 1/8	
WP2C170-2N-AA	2	1590 (61), 1600 (127,169), 1700 (127,169)	1431 (45/7,54/19), 1510.5 (45/7,54/19)	3	2	3	2 1/4	5 1/4	3/4	5/8	
WP2C170-4N-AA	2	1590 (61), 1600 (127,169), 1700 (127,169)	1431 (45/7,54/19), 1510.5 (45/7,54/19)	3	2 1/4	3 1/2	2 1/4	6	3/4	5/8	
WP2C170-4N4-AA	2	1590 (61), 1600 (127,169), 1700 (127,169)	1431 (45/7,54/19), 1510.5 (45/7,54/19)	4	2 1/4	4	2 1/4	6 1/2	3/4	1 1/8	
WP2C170-6N4-AA	3	1590 (61), 1600 (127,169), 1700 (127,169)	1431 (45/7,54/19), 1510.5 (45/7,54/19)	6	2 1/4	4	2 1/4	6 1/2	3/4	1 1/8	
WP2C190-4N-AA	2	1750 (127,169), 1800 (127,169), 1900 (127,169)	1590 (45/7,54/19), 1780 (84/19)	3	2 1/4	3	2 1/4	5 1/2	3/4	5/8	
WP2C190-4N4-AA	2	1750 (127,169), 1800 (127,169), 1900 (127,169)	1590 (45/7,54/19), 1780 (84/19)	4	2 1/4	4	2 1/4	6 1/2	3/4	1 1/8	
WP2C190-6NA-AA	3	1750 (127,169), 1800 (127,169), 1900 (127,169)	1590 (45/7,54/19), 1780 (84/19)	6	2 1/4	4	2 1/4	6 1/2	3/4	1 1/8	
WP2C225-4N-AA	2	2000 (91,127,169), 2250 (91)	1780 (84/19), 2167 (72/7)	3	2 1/4	3	2 1/2	5 1/2	3/4	5/8	
WP2C225-4N4-AA	2	2000 (91,127,169), 2250 (91)	1780 (84/19), 2167 (72/7)	4	2 1/4	4	2 1/2	6 1/2	3/4	1 1/8	
WP2C225-6N4-AA	3	2000 (91,127,169), 2250 (91)	1780 (84/19), 2167 (72/7)	6	2 1/4	4	2 1/2	6 1/2	3/4	1 1/8	
WP2C250-4N-AA	2	2500 (91,127,169)	2156 (84/19)	3	2 1/4	3	2 3/4	5 1/2	3/4	5/8	
WP2C250-4N4-AA	2	2500 (91,127,169)	2156 (84/19)	4	2 1/4	4	2 3/4	6 1/2	3/4	1 1/8	
WP2C250-6N4-AA	3	2500 (91,127,169)	2156 (84/19)	6	2 1/4	4	2 3/4	6 1/2	3/4	1 1/8	
WP2C300-4N-AA	2	2750 (91), 3000 (127,169)	2870 ACSR	3	2 1/4	3	2 3/4	5 1/2	7/8	5/8	
WP2C300-4N4-AA	2	2750 (91), 3000 (127,169)	2870 ACSR	4	2 1/4	4	2 3/4	6 1/2	7/8	1 1/8	

230 kV Aluminum Welded