

TYPE SWXL-AA

Swage Expansion Bus Terminal

A Swage type expansion bus terminal.

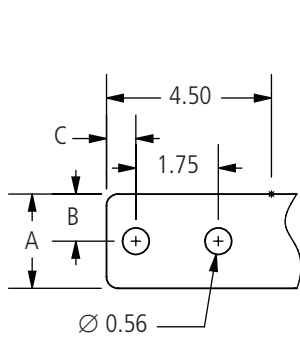
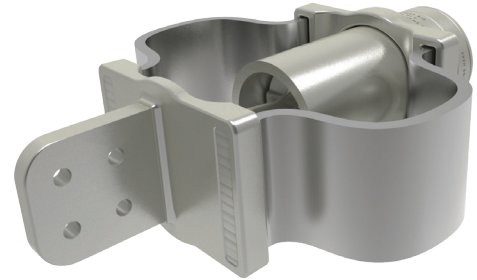
Material

Aluminum Alloy

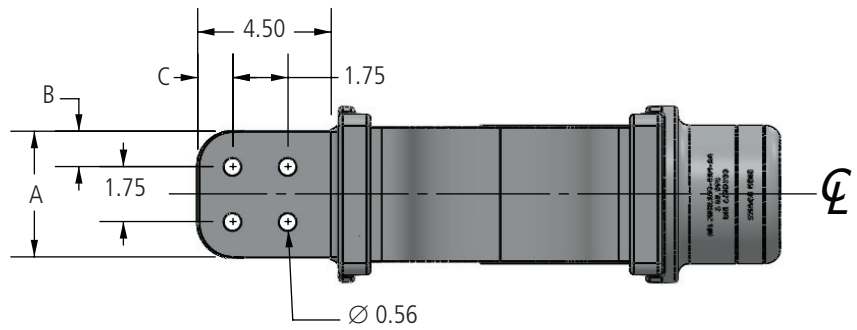
Notes

- Bore will be lined with AFL Filler compound (AFC) and capped.
- See General Information Section for this dimension.
- 5" and 6" SPS parts require double swages.

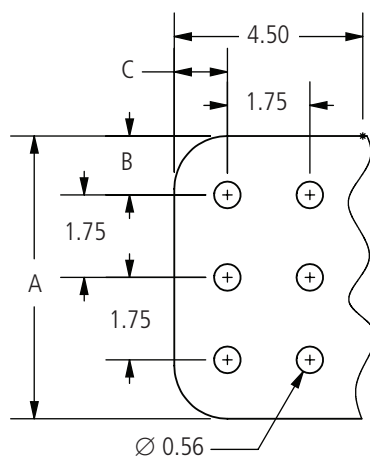
f—Machine Finish



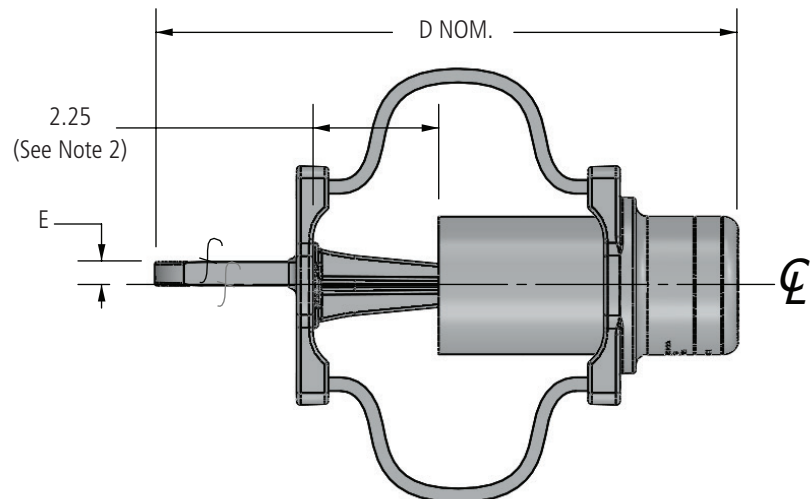
Detail 1



Detail 2



Detail 3



continued
→

TYPE SWXL-AA

Swage Expansion Bus Terminal

Ordering Information

AFL NO.	S.P.S.	PAD DETAIL	DIMENSIONS (inches)					DIE SIZE
			A	B	C	D	E	
SWXL100-2N-AA	1	1	2.00	1.00	0.63	15.69	0.38	65TD100
SWXL100-4N-AA	1	2	3.00	0.63	0.63	16.69	0.38	65TD100
SWXL100-4N4-AA	1	2	4.00	1.13	1.13	17.69	0.38	65TD100
SWXL125-2N-AA	1.25	1	2.00	1.00	0.63	15.69	0.50	65TD150
SWXL125-4N-AA	1.25	2	3.00	0.63	0.63	16.69	0.50	65TD150
SWXL125-4N4-AA	1.25	2	4.00	1.13	1.13	17.69	0.50	65TD150
SWXL150-2N-AA	1.5	1	2.00	1.00	0.63	15.69	0.50	65TD150
SWXL150-4N-AA	1.5	2	3.00	0.63	0.63	16.69	0.50	65TD150
SWXL150-4N4-AA	1.5	2	4.00	1.13	1.13	17.69	0.50	65TD150
SWXL200-2N-AA	2	1	2.00	1.00	0.63	15.69	0.75	65TD200
SWXL200-4N-AA	2	2	3.00	0.63	0.63	15.69	0.75	65TD200
SWXL200-4N4-AA	2	2	4.00	1.13	1.13	16.69	0.75	65TD200
SWXL250-2N-AA	2.5	1	2.00	1.00	0.63	15.69	0.75	65TD250
SWXL250-4N-AA	2.5	2	3.00	0.63	0.63	15.69	0.75	65TD250
SWXL250-4N4-AA	2.5	2	4.00	1.13	1.13	16.69	0.75	65TD250
SWXL300-2N-AA	3	1	2.00	1.00	0.63	15.75	0.75	65TD300
SWXL300-4N-AA	3	2	3.00	0.63	0.63	15.75	0.75	65TD300
SWXL300-4N4-AA	3	2	4.00	1.13	1.13	16.75	0.75	65TD300
SWXL350-2N-AA	3.5	1	2.00	1.00	0.63	15.75	0.75	65TD350
SWXL350-4N-AA	3.5	2	3.00	0.63	0.63	15.75	0.75	65TD350
SWXL350-4N4-AA	3.5	2	4.00	1.13	1.13	16.75	0.75	65TD350
SWXL400-4N-AA	4	2	3.00	0.63	0.63	15.88	1.00	65TD400
SWXL400-4N4-AA	4	2	4.00	1.13	1.13	16.88	1.00	65TD400
SWXL400-6N4-AA	4	3	6.00	1.25	1.13	16.88	1.00	65TD400
SWXL500-4N4-AA	5	2	4.00	1.13	1.13	19.44	1.13	85TD500
SWXL500-6N4-AA	5	3	6.00	1.25	1.13	19.44	1.13	85TD500
SWXL600-4N4-AA	6	2	4.00	1.13	1.13	22.00	1.13	115TD600
SWXL600-6N4-AA	6	3	6.00	1.25	1.13	22.00	1.13	115TD600