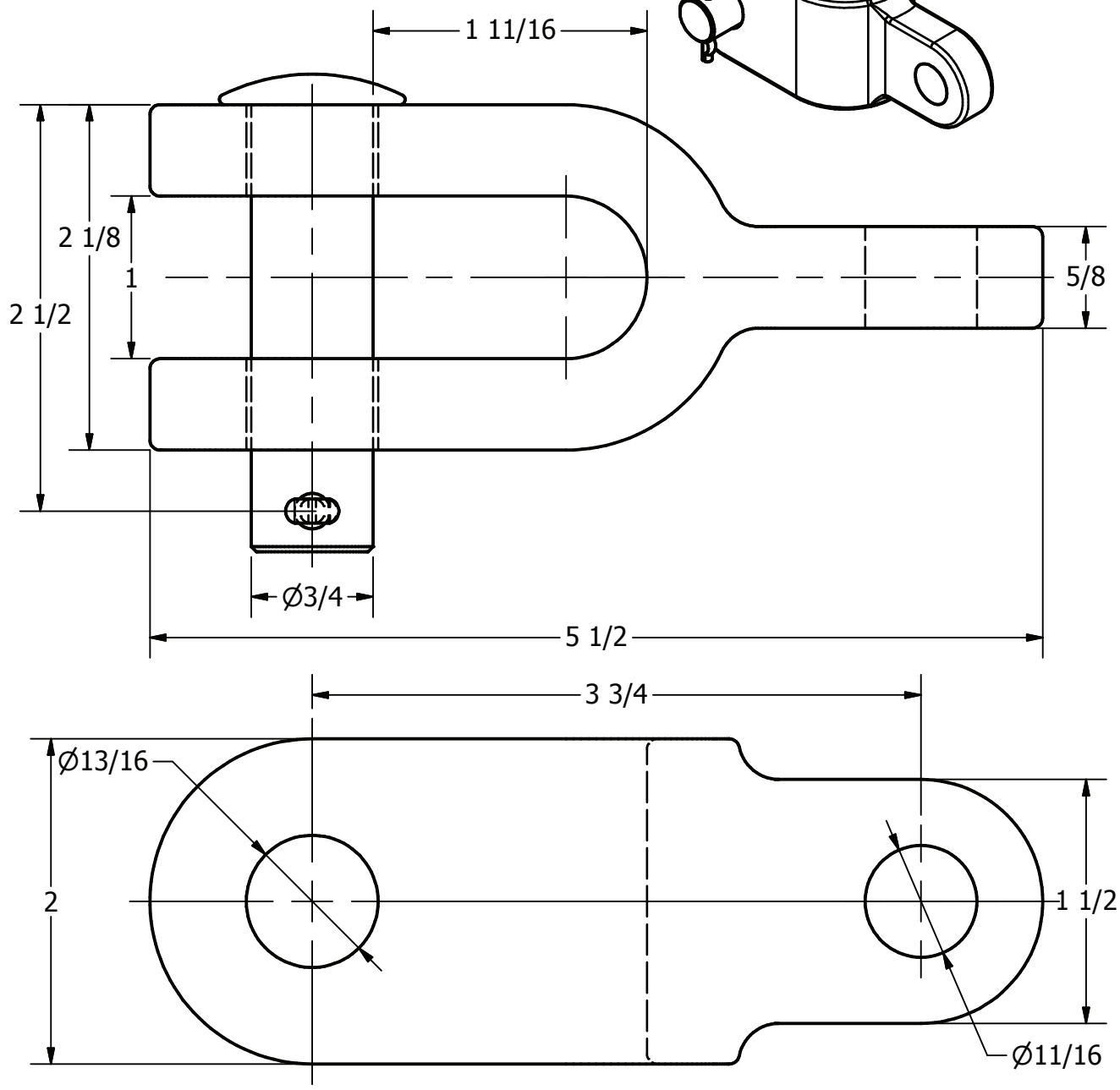
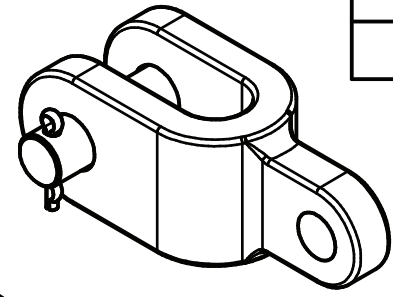


ITEM NO

DWG NO  
D-7028



**MATERIAL:**  
 ALUMINUM BRONZE ASTM B30  
 CLEVIS PIN-GALVANIZED STEEL  
 COTTER KEY-STAINLESS STEEL

3.21 LBS

THIS DRAWING AND ALL INFORMATION ON IT IS THE PROPERTY OF AFL. IT IS CONFIDENTIAL AND IT IS GIVEN TO YOU FOR A LIMITED PURPOSE AND MUST BE RETURNED UPON REQUEST. NEITHER THIS DRAWING OR ANY PART OF IT NOR ANY INFORMATION CONCERNING IT MAY BE COPIED, EXHIBITED, OR FURNISHED TO OTHERS NOR PHOTOGRAPHS TAKEN OF ANY ARTICLE FABRICATED OR ASSEMBLED FROM THE DRAWING WITHOUT THE CONSENT OF AFL.

LOCATION					CONTRACT NO		CUST / CONTR	
REVISIONS								
REV	DESCRIPTION	DATE	BY	APR	LINK, TONGUE-CLEVIS			
2	RE-DRAWN IN INVENTOR	1-4-10	LK	EP	DECL63-75-100			
DRN BY: BB DRN DATE: 4-3-91 CHK BY: JS CHK DATE: 4-4-91					REV	2		1 OF 1