

DOSSERT®

TYPE U2T-AA, UUTT-AA

The U2T-AA is a double tap single run, and the UUTT-AA is a double tap double run.

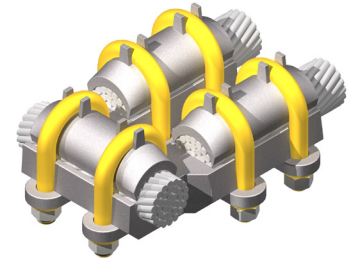
Each tap position independently takes a wide range of conductor sizes.

Material

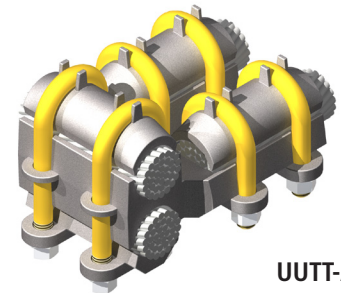
Aluminum Alloy

Hardware

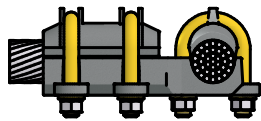
Yellow anodized aluminum nuts, bolts and lockwashers.



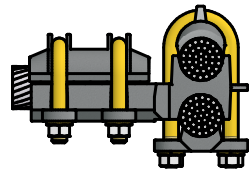
U2T-AA



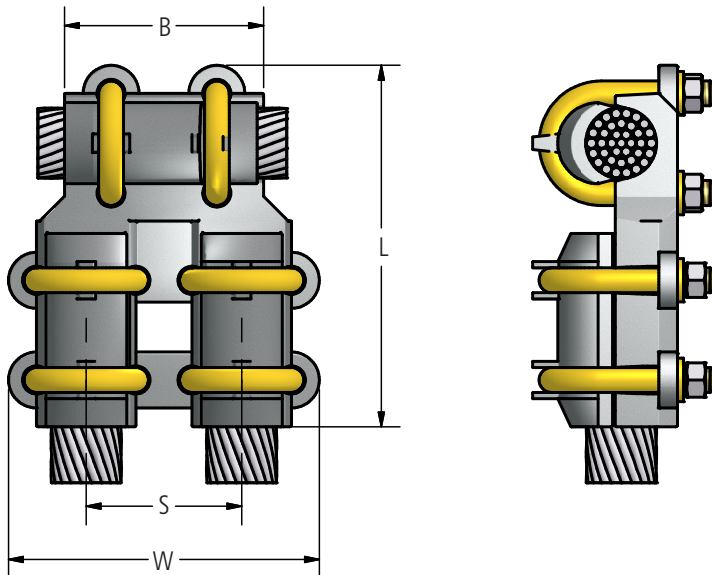
UUTT-AA



U2T-AA



UUTT-AA



Ordering Information

CATALOG NUMBER		AAC CABLE RANGE RUN		AAC CABLE RANGE TAP		DIMENSIONS IN INCHES				U-BOLT DIAMETER	
		MIN	MAX	MIN	MAX	B	L	S	W	MAIN	TAP
U2T13-13-AA	UUTT13-13-AA	# 6 Stranded	2/0 Stranded	#6 Stranded	2/0 Stranded	3 1/4	4 1/4	1 11/16	3 1/4	5/16	5/16
U2T21-21-AA	UUTT21-21-AA	#1 Stranded	4/0 Stranded	#1 Stranded	4/0 Stranded	3 1/4	4 1/2	1 31/32	3 1/4	3/8	3/8
U2T30-13-AA	UUTT30-13-AA	1/0 Stranded	300 KCMIL	#6 Stranded	2/0 Stranded	3 1/4	4 1/4	1 11/16	3 1/4	3/8	3/8
U2T30-30-AA	UUTT30-30-AA	1/0 Stranded	300 KCMIL	1/0 Stranded	300 KCMIL	3 1/4	4 1/2	2 1/16	4	3/8	3/8
U2T50-13-AA	UUTT50-13-AA	300 KCMIL	500 KCMIL	#6 Stranded	2/0 Stranded	3 1/4	4 3/8	1 11/16	3 1/4	3/8	5/16
U2T50-21-AA	UUTT50-21-AA	300 KCMIL	500 KCMIL	#1 Stranded	4/0 Stranded	3 1/4	4 3/4	1 31/32	3 3/4	3/8	3/8
U2T50-30-AA	UUTT50-30-AA	300 KCMIL	500 KCMIL	1/0 Stranded	300 KCMIL	4 1/4	4 7/8	2 1/16	4	3/8	3/8
U2T50-50-AA	UUTT50-50-AA	300 KCMIL	500 KCMIL	300 KCMIL	500 KCMIL	4 1/4	5 1/8	2 1/4	4 3/8	3/8	3/8
U2T90-13-AA	UUTT90-13-AA	500 KCMIL	800 KCMIL	#6 Stranded	2/0 Stranded	3 1/4	5 1/4	1 11/16	3 1/4	1/2	5/16
U2T90-21-AA	UUTT90-21-AA	500 KCMIL	800 KCMIL	#1 Stranded	4/0 Stranded	3 1/4	5 7/8	1 31/32	3 3/4	1/2	3/8



230 kV Aluminum Bolted Tee & Vee Connectors

DOSSERT®

TYPE U2T-AA, UUTT-AA

The U2T-AA is a double tap single run, and the UUTT-AA is a double tap double run.

Ordering Information

CATALOG NUMBER		AAC CABLE RANGE RUN		AAC CABLE RANGE TAP		DIMENSIONS IN INCHES				U-BOLT DIAMETER	
		MIN	MAX	MIN	MAX	B	L	S	W	MAIN	TAP
U2T13-13-AA	UUTT13-13-AA	# 6 Stranded	2/0 Stranded	#6 Stranded	2/0 Stranded	3 1/4	4 1/4	1 11/16	3 1/4	5/16	5/16
U2T21-21-AA	UUTT21-21-AA	#1 Stranded	4/0 Stranded	#1 Stranded	4/0 Stranded	3 1/4	4 1/2	1 31/32	3 1/4	3/8	3/8
U2T30-13-AA	UUTT30-13-AA	1/0 Stranded	300 KCMIL	#6 Stranded	2/0 Stranded	3 1/4	4 1/4	1 11/16	3 1/4	3/8	3/8
U2T30-30-AA	UUTT30-30-AA	1/0 Stranded	300 KCMIL	1/0 Stranded	300 KCMIL	3 1/4	4 1/2	2 1/16	4	3/8	3/8
U2T50-13-AA	UUTT50-13-AA	300 KCMIL	500 KCMIL	#6 Stranded	2/0 Stranded	3 1/4	4 3/8	1 11/16	3 1/4	3/8	5/16
U2T50-21-AA	UUTT50-21-AA	300 KCMIL	500 KCMIL	#1 Stranded	4/0 Stranded	3 1/4	4 3/4	1 31/32	3 3/4	3/8	3/8
U2T50-30-AA	UUTT50-30-AA	300 KCMIL	500 KCMIL	1/0 Stranded	300 KCMIL	4 1/4	4 7/8	2 1/16	4	3/8	3/8
U2T50-50-AA	UUTT50-50-AA	300 KCMIL	500 KCMIL	300 KCMIL	500 KCMIL	4 1/4	5 1/8	2 1/4	4 3/8	3/8	3/8
U2T90-13-AA	UUTT90-13-AA	500 KCMIL	800 KCMIL	#6 Stranded	2/0 Stranded	3 1/4	5 1/4	1 11/16	3 1/4	1/2	5/16
U2T90-21-AA	UUTT90-21-AA	500 KCMIL	800 KCMIL	#1 Stranded	4/0 Stranded	3 1/4	5 7/8	1 31/32	3 3/4	1/2	3/8
U2T90-30-AA	UUTT90-30-AA	500 KCMIL	800 KCMIL	1/0 Stranded	300 KCMIL	4 1/4	6	2 1/16	4	1/2	3/8
U2T90-50-AA	UUTT90-50-AA	500 KCMIL	800 KCMIL	300 KCMIL	500 KCMIL	4 1/4	6 1/4	2 1/4	4 3/8	1/2	3/8
U2T90-90-AA	UUTT90-90-AA	500 KCMIL	800 KCMIL	500 KCMIL	800 KCMIL	5 1/4	6 1/2	2 27/32	5 1/2	1/2	1/2
U2T100-13-AA	UUTT100-13-AA	750 KCMIL	1000 KCMIL	#6 Stranded	2/0 Stranded	4 1/4	5 1/2	1 11/16	3 1/4	1/2	5/16
U2T100-21-AA	UUTT100-21-AA	750 KCMIL	1000 KCMIL	#1 Stranded	4/0 Stranded	4 1/4	5 5/8	1 31/32	3 3/4	1/2	3/8
U2T100-30-AA	UUTT100-30-AA	750 KCMIL	1000 KCMIL	1/0 Stranded	300 KCMIL	4 1/4	5 3/4	2 1/16	4	1/2	3/8
U2T100-50-AA	UUTT100-50-AA	750 KCMIL	1000 KCMIL	300 KCMIL	500 KCMIL	4 1/4	6	2 1/4	4 3/8	1/2	3/8
U2T100-90-AA	UUTT100-90-AA	750 KCMIL	1000 KCMIL	500 KCMIL	800 KCMIL	5 1/4	6 1/4	2 27/32	5 1/2	1/2	1/2
U2T100-100-AA	UUTT100-100-AA	750 KCMIL	1000 KCMIL	750 KCMIL	1000 KCMIL	5 1/4	6 1/2	3	5 7/8	1/2	1/2
U2T150-13-AA	UUTT150-13-AA	1000 KCMIL	1500 KCMIL	#6 Stranded	2/0 Stranded	4 1/4	5 3/4	1 11/16	3 1/4	1/2	5/16
U2T150-21-AA	UUTT150-21-AA	1000 KCMIL	1500 KCMIL	#1 Stranded	4/0 Stranded	4 1/4	5 7/8	1 31/32	3 3/4	1/2	3/8
U2T150-30-AA	UUTT150-30-AA	1000 KCMIL	1500 KCMIL	1/0 Stranded	300 KCMIL	4 1/4	6	2 1/16	4	1/2	3/8
U2T150-50-AA	UUTT150-50-AA	1000 KCMIL	1500 KCMIL	300 KCMIL	500 KCMIL	4 1/4	6 1/4	2 1/4	4 3/8	1/2	3/8
U2T150-90-AA	UUTT150-90-AA	1000 KCMIL	1500 KCMIL	500 KCMIL	800 KCMIL	5 1/4	6 1/2	2 27/32	5 1/2	1/2	1/2
U2T150-100-AA	UUTT150-100-AA	1000 KCMIL	1500 KCMIL	750 KCMIL	1000 KCMIL	5 1/4	6 3/4	3	5 7/8	1/2	1/2
U2T150-150-AA	UUTT150-150-AA	1000 KCMIL	1500 KCMIL	1000 KCMIL	1500 KCMIL	6	7 1/4	3 1/4	6 5/8	1/2	1/2
U2T200-30-AA	UUTT200-30-AA	1500 KCMIL	2000 KCMIL	1/0 Stranded	300 KCMIL	4 1/4	6 1/4	2 1/16	4	1/2	3/8
U2T200-50-AA	UUTT200-50-AA	1500 KCMIL	2000 KCMIL	300 KCMIL	500 KCMIL	4 1/4	6 1/2	2 1/4	4 3/8	1/2	3/8
U2T200-90-AA	UUTT200-90-AA	1500 KCMIL	2000 KCMIL	500 KCMIL	800 KCMIL	5 1/4	6 3/4	2 27/32	5 1/2	1/2	1/2
U2T200-100-AA	UUTT200-100-AA	1500 KCMIL	2000 KCMIL	750 KCMIL	1000 KCMIL	5 1/4	7	3	5 7/8	1/2	1/2
U2T200-150-AA	UUTT200-150-AA	1500 KCMIL	2000 KCMIL	1000 KCMIL	1500 KCMIL	6 3/8	7 1/2	3 1/4	6 5/8	1/2	1/2
U2T200-200-AA	UUTT200-200-AA	1500 KCMIL	2000 KCMIL	1500 KCMIL	2000 KCMIL	6 3/8	8	3 1/2	6 7/8	5/8	1/2

230 kV Aluminum Bolted Tee & Vee Connectors