








OPTICAL PHASE CONDUCTOR INSULATORS

Optical Phase Conductor (OPPC) insulators are designed to splice the optical fibres of the energised OPPC with fibres of a metal free fibre optic cable which can be connected to a cabinet in the substation. AFL provide a range of hollow composite insulators to suit a range of voltage levels and applications which are specified to IEC 61462 & IEC 62217 standards.

Type	Spliceless	S - Standing		H - Hanging		P - Hanging, fixed on plate	
							
Tension U_m	24-36	36-145	245	36-145	245	36-145	245
OPPC entries	1	1-2					
OPPC / Steel tube diameter (mm)	10-28 / 2.5-3.5	10, 28, 39 / 2.5 - 3.5					
Approach cable entries	1	1-4					
Approach cable diameter (mm)	10-28	11.5 - 18					
Number of splices	-	144 crimp or 72 heat shrinkable					

CHARACTERISTICS

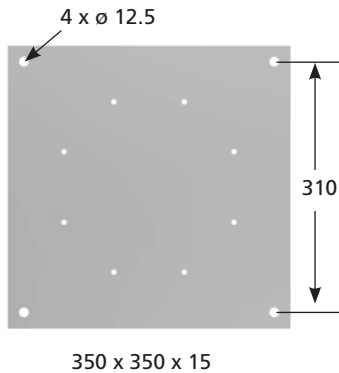
TENSION, U_M	KV	24 Spliceless		36 Spliceless		36		52		72.5		123		145		245	
Pollution class (IEC 60815)		II	IV	II	IV	II	IV	II	IV	II	IV	II	IV	II	IV	II	IV
ID number		04K3113 /1	05K4193	05K4197	05K4198	00K8153	05K4165	02K0357	05K4166	01K9683	05K4148	02K0358	05K4210	01K9094	05K4167	05K4225 /A	05K4168 /A
Number sheds (diameter)	mm	3 (138)	5 (138)	4 (138)	7 (138)	4 (160)	7 (160)	5 (160)	10 (160)	8 (160)	12 (160)	13 (160)	24 (160)	16 (160)	28 (160)	25 (178)	47 (178)
Creepage	mm	575	855	740	1190	740	1190	1040	1700	1540	2325	2460	3930	3000	4560	4900	7640
Arcing distance, minimum	mm	219	259	259	349	260	350	450	500	580	885	960	1050	1080	1200	1850	1950
Dry lightning voltage *	kV	145	145	170	170	170 (173.92)	170 (230.94)	250 (293.92)	250 (325.26)	325 (357.43)	325 (544.97)	550 (590.98)	550 (646.13)	650 (664.50)	650 (737.91)	1050 (1133.64)	1050 (1194.24)
Wet power frequency volt.*	kV	50	50	70	70	70 (80.22)	70 (120.42)	95 (161.88)	95 (181.33)	140 (186.48)	140 (307.05)	230 (334.92)	230 (367.43)	275 (378.04)	275 (419.35)	460 (611.84)	460 (636.76)
Total height, type S & P	mm	-	-	-	-	941.5	1031.5	1181.5	1131.5	1261.5	1566.5	1641.5	1731.5	1761.5	1881.5	2730	2830
Total height, type H	mm	-	-	-	-	1039	1129	1229	1279	1359	1664	1739	1829	1859	1979	2827.5	2927.5
Weight (approx), type S / H / P	kg	-	-	-	-	30 / 26 / 29	31 / 27 / 30	31 / 27 / 30	32 / 28 / 31	32 / 28 / 31	34 / 30 / 33	34 / 30 / 33	37 / 33 / 36	35 / 31 / 34	38 / 34 / 37	56 / 52 / 55	65 / 58 / 61
Total height, type spliceless	mm	629	669	669	759	-	-	-	-	-	-	-	-	-	-	-	-
Weight (approx), type spliceless	kg	3.8	4.2	4	4.6	-	-	-	-	-	-	-	-	-	-	-	-

* Values : IEC 60071-1 (statistical)

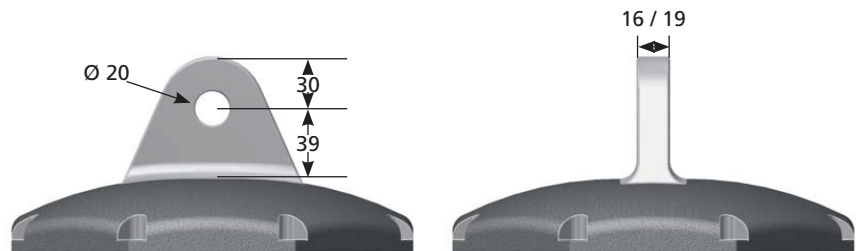
OPTICAL PHASE CONDUCTOR INSULATORS

DIMENSIONS OF FIXINGS (MM)

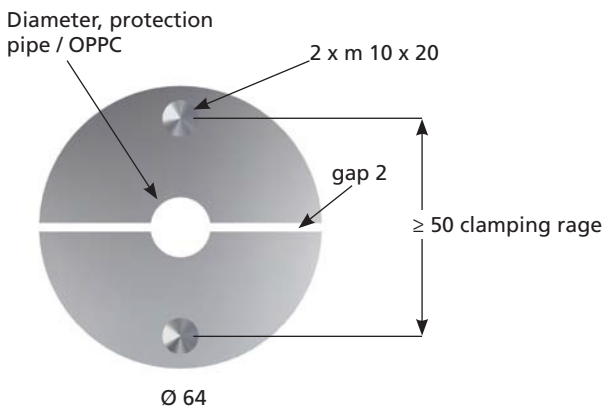
BASE PLATE



MOUNTING EYE



SPLICELESS TOP / BOTTOM



OPPC INSULATOR IDENTIFICATION

SEP	S	01K9683	II	72.5	19
Type	ID Number	Pollution class (IEC 60815)	Tension U_m	Mounting eye width	
S = Standing				16 = 16mm	
H = Hanging				19 = 19mm	
P = Hanging, fixed on plate				Blank = Spliceless	
Blank = Spliceless					

Example: SEP-S-01K9683-I-72.5-19