

TYPE SWTPC-AA Swage Terminal with a NEMA Pad

A Swage type bus terminal designed to terminate bus.

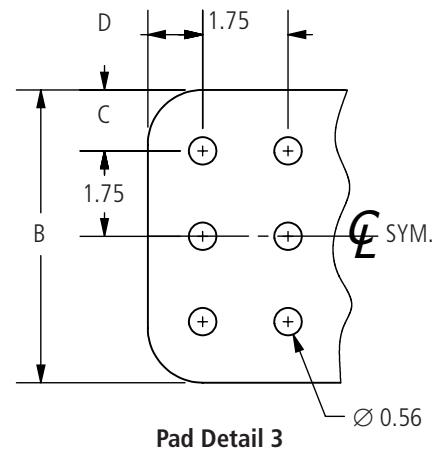
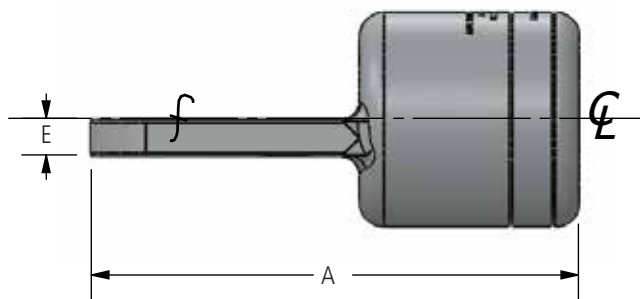
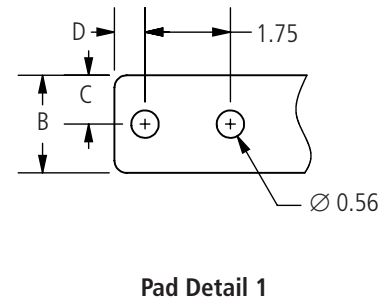
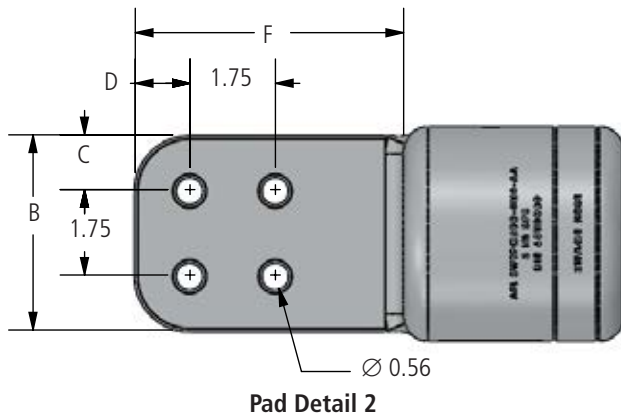
Material

Aluminum Alloy

Notes

- Bore will be lined with AFL Filler compound (AFC) and capped.
- 5" and 6" SPS parts require double swages.

f—Machine Finish



continued
→

TYPE SWTPC-AA Swage Terminal with a NEMA Pad

Ordering Information

AFL NO.	S.P.S.	PAD DETAIL	DIMENSIONS IN INCHES						DIE SIZE	VOLTAGE RATING (kV)
			A	B	C	D	E	F		
SWTPC100-2N-AA	1	1	7.20	2.00	1.00	0.63	0.38	4.50	65TD100	230
SWTPC100-4N-AA	1	2	7.20	3.00	0.63	0.63	0.38	4.50	65TD100	230
SWTPC100-4N4-AA	1	2	8.20	4.00	1.13	1.13	0.38	5.50	65TD100	230
SWTPC150-2N-AA	1.5	1	7.38	2.00	1.00	0.63	0.50	4.50	65TD150	230
SWTPC150-4N-AA	1.5	2	7.38	3.00	0.63	0.63	0.50	4.50	65TD150	230
SWTPC150-4N4-AA	1.5	2	8.38	4.00	1.13	1.13	0.50	5.50	65TD150	230
SWTPC200-2N-AA	2	1	7.88	2.00	1.00	0.63	0.50	4.50	65TD200	230
SWTPC200-4N-AA	2	2	7.88	3.00	0.63	0.63	0.50	4.50	65TD200	230
SWTPC200-4N4-AA	2	2	8.88	4.00	1.13	1.13	0.50	5.50	65TD200	230
SWTPC250-2N-AA	2.5	1	8.25	2.00	1.00	0.63	0.63	4.50	65TD250	230
SWTPC250-4N-AA	2.5	2	8.25	3.00	0.63	0.63	0.63	4.50	65TD250	230
SWTPC250-4N4-AA	2.5	2	9.25	4.00	1.13	1.13	0.63	5.50	65TD250	230
SWTPC300-2N-AA	3	1	9.00	2.00	1.00	0.63	0.75	4.50	65TD300	230
SWTPC300-4N-AA	3	2	9.00	3.00	0.63	0.63	0.75	4.50	65TD300	345
SWTPC300-4N4-AA	3	2	10.00	4.00	1.13	1.13	0.75	5.50	65TD300	345
SWTPC300-4N4-6-AA	3	2	10.50	4.00	1.13	1.13	0.75	6.00	65TD300	345
SWTPC300-5N4-AA	3	3	10.00	5.00	0.75	1.13	0.75	5.50	65TD300	345
SWTPC300-6N4-AA	3	3	10.00	6.00	1.25	1.13	0.75	5.50	65TD300	345
SWTPC350-2N-AA	3.5	1	9.12	2.00	1.00	0.63	0.75	4.50	65TD350	230
SWTPC350-4N-AA	3.5	2	9.12	3.00	0.63	0.63	0.75	4.50	65TD350	500
SWTPC350-4N4-AA	3.5	2	10.12	4.00	1.13	1.13	0.75	5.50	65TD350	500
SWTPC350-4N4-6-AA	3.5	2	10.62	4.00	1.13	1.13	0.75	6.00	65TD350	500
SWTPC350-5N4-AA	3.5	3	10.12	5.00	0.75	1.13	0.75	5.50	65TD350	500
SWTPC350-6N4-AA	3.5	3	10.12	6.00	1.25	1.13	0.75	5.50	65TD350	500
SWTPC400-2N-AA	4	1	9.38	2.00	1.00	0.63	0.75	4.50	65TD400	230
SWTPC400-4N-AA	4	2	9.38	3.00	0.63	0.63	0.75	4.50	65TD400	500
SWTPC400-4N4-AA	4	2	10.38	4.00	1.13	1.13	0.75	5.50	65TD400	500
SWTPC400-5N4-AA	4	3	10.38	5.00	0.75	1.13	0.75	5.50	65TD400	500
SWTPC400-6N4-AA	4	3	10.38	6.00	1.25	1.13	0.75	5.50	65TD400	500
SWTPC500-4N-AA	5	2	12.47	3.00	0.63	0.63	1.13	5.00	85TD500	500
SWTPC500-4N4-AA	5	2	12.47	4.00	1.13	1.13	1.13	5.00	85TD500	500
SWTPC500-4N4-6-AA	5	2	13.47	4.00	1.13	1.13	1.13	6.00	85TD500	500
SWTPC500-5N4-AA	5	3	12.47	5.00	0.75	1.13	1.13	5.00	85TD500	500
SWTPC500-6N4-AA	5	3	12.47	6.00	1.25	1.13	1.13	5.00	85TD500	500
SWTPC600-4N4-AA	6	2	13.23	4.00	1.13	1.13	1.13	5.00	115TD600	500
SWTPC600-5N4-AA	6	3	13.23	5.00	0.75	1.13	1.13	5.00	115TD600	500
SWTPC600-6N4-AA	6	3	13.23	6.00	1.25	1.13	1.13	5.00	115TD600	500

TYPE SWTP-AA Swage Offset Bus Terminal

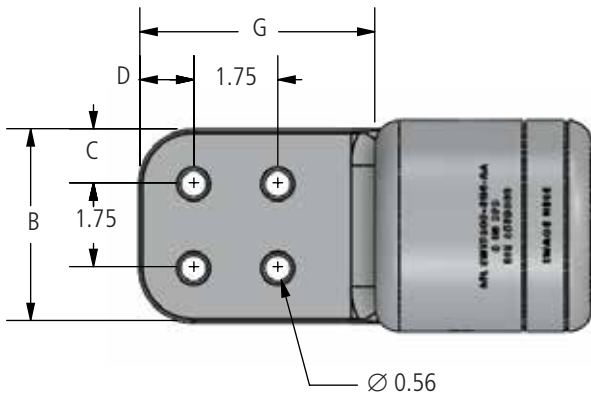
A Swage type offset bus terminal.

Material

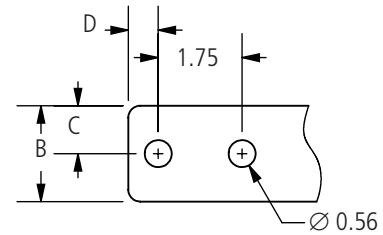
Aluminum Alloy

Notes

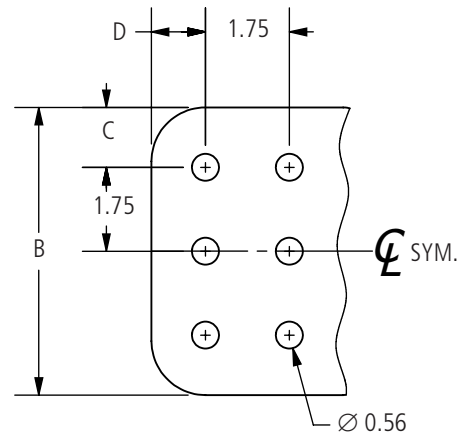
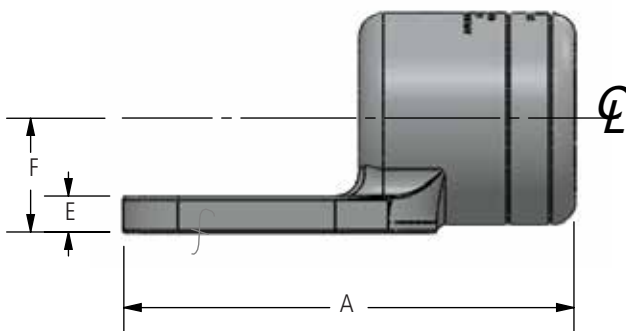
- Bore will be lined with AFL Filler compound (AFC) and capped.
 - 5" and 6" SPS parts require double swages.
- f*—Machine Finish



Pad Detail 2



Pad Detail 1



Pad Detail 3

continued

TYPE SWTP-AA Swage Offset Bus Terminal

Ordering Information

AFL NO.	S.P.S.	PAD DETAIL	DIMENSIONS IN INCHES							DIE SIZE	VOLTAGE RATING (kV)
			A	B	C	D	E	F	G		
SWTP100-2N-AA	1	1	7.00	2.00	1.00	0.63	0.38	1.13	4.30	65TD100	230
SWTP100-4N-AA	1	2	7.00	3.00	0.63	0.63	0.38	1.13	4.30	65TD100	230
SWTP100-4N4-AA	1	2	8.00	4.00	1.13	1.13	0.38	1.13	5.30	65TD100	230
SWTP100-5N4-AA	1	3	8.00	5.00	0.75	1.13	0.38	1.13	5.30	65TD100	230
SWTP100-6N4-AA	1	3	8.00	6.00	1.25	1.13	0.38	1.13	5.30	65TD100	230
SWTP150-2N-AA	1.5	1	7.01	2.00	1.00	0.63	0.50	1.50	4.13	65TD150	230
SWTP150-4N-AA	1.5	2	7.01	3.00	0.63	0.63	0.50	1.50	4.13	65TD150	230
SWTP150-4N4-AA	1.5	2	8.01	4.00	1.13	1.13	0.50	1.50	5.13	65TD150	230
SWTP150-5N4-AA	1.5	3	8.01	5.00	0.75	1.13	0.50	1.50	5.13	65TD150	230
SWTP150-6N4-AA	1.5	3	8.01	6.00	1.25	1.13	0.50	1.50	5.13	65TD150	230
SWTP200-2N-AA	2	1	7.23	2.00	1.00	0.63	0.50	1.75	3.85	65TD200	230
SWTP200-4N-AA	2	2	7.23	3.00	0.63	0.63	0.50	1.75	3.85	65TD200	230
SWTP200-4N4-AA	2	2	8.23	4.00	1.13	1.13	0.50	1.75	4.85	65TD200	230
SWTP200-5N4-AA	2	3	8.23	5.00	0.75	1.13	0.50	1.75	4.85	65TD200	230
SWTP200-6N4-AA	2	3	8.23	6.00	1.25	1.13	0.50	1.75	4.85	65TD200	230
SWTP250-2N-AA	2.5	1	7.50	2.00	1.00	0.63	0.62	2.00	3.75	65TD250	230
SWTP250-4N-AA	2.5	2	7.50	3.00	0.63	0.63	0.62	2.00	3.75	65TD250	230
SWTP250-4N4-AA	2.5	2	8.50	4.00	1.13	1.13	0.62	2.00	4.75	65TD250	230
SWTP250-5N4-AA	2.5	3	8.50	5.00	0.75	1.13	0.62	2.00	4.75	65TD250	230
SWTP250-6N4-AA	2.5	3	8.50	6.00	1.25	1.13	0.62	2.00	4.75	65TD250	230
SWTP300-2N-AA	3	1	8.40	2.00	1.00	0.63	0.75	2.38	3.90	65TD300	230
SWTP300-4N-AA	3	2	8.40	3.00	0.63	0.63	0.75	2.38	3.90	65TD300	345
SWTP300-4N4-AA	3	2	9.40	4.00	1.13	1.13	0.75	2.38	4.90	65TD300	345
SWTP300-5N4-AA	3	3	9.40	5.00	0.75	1.13	0.75	2.38	4.90	65TD300	345
SWTP300-6N4-AA	3	3	9.40	6.00	1.25	1.13	0.75	2.38	4.90	65TD300	345
SWTP350-2N-AA	3.5	1	8.13	2.00	1.00	0.63	0.75	2.62	3.50	65TD350	230
SWTP350-4N-AA	3.5	2	8.13	3.00	0.63	0.63	0.75	2.62	3.50	65TD350	345
SWTP350-4N4-AA	3.5	2	9.13	4.00	1.13	1.13	0.75	2.62	4.50	65TD350	345
SWTP350-5N4-AA	3.5	3	9.13	5.00	0.75	1.13	0.75	2.62	4.50	65TD350	345
SWTP350-6N4-AA	3.5	3	9.13	6.00	1.25	1.13	0.75	2.62	4.50	65TD350	345
SWTP400-2N-AA	4	1	8.51	2.00	1.00	0.63	0.75	2.88	3.63	65TD400	230
SWTP400-4N-AA	4	2	8.51	3.00	0.63	0.63	0.75	2.88	3.63	65TD400	345
SWTP400-4N4-AA	4	2	9.51	4.00	1.13	1.13	0.75	2.88	4.63	65TD400	345
SWTP400-4N4-T1-AA	4	2	9.51	4.00	1.13	1.13	1.00	2.88	4.63	65TD400	345
SWTP400-5N4-AA	4	3	9.51	5.00	0.75	1.13	0.75	2.88	4.63	65TD400	345
SWTP400-6N4-AA	4	3	9.51	6.00	1.25	1.13	0.75	2.88	4.63	65TD400	345
SWTP500-4N4-AA	5	2	11.97	4.00	1.13	1.13	1.13	3.50	4.25	85TD500	500
SWTP500-5N4-AA	5	3	11.97	5.00	0.75	1.13	1.13	3.50	4.25	85TD500	500
SWTP500-6N4-AA	5	3	11.97	6.00	1.25	1.13	1.13	3.50	4.25	85TD500	500
SWTP600-4N4-AA	6	2	13.23	4.00	1.13	1.13	1.13	4.25	4.25	115TD600	500
SWTP600-5N4-AA	6	3	13.23	5.00	0.75	1.13	1.13	4.25	4.25	115TD600	500
SWTP600-6N4-AA	6	3	13.23	6.00	1.25	1.13	1.13	4.25	4.25	115TD600	500

TYPE SWTPA-AA Swage Bus Terminal with Angled NEMA Pad

A Swage type bus terminal with angled NEMA pad.

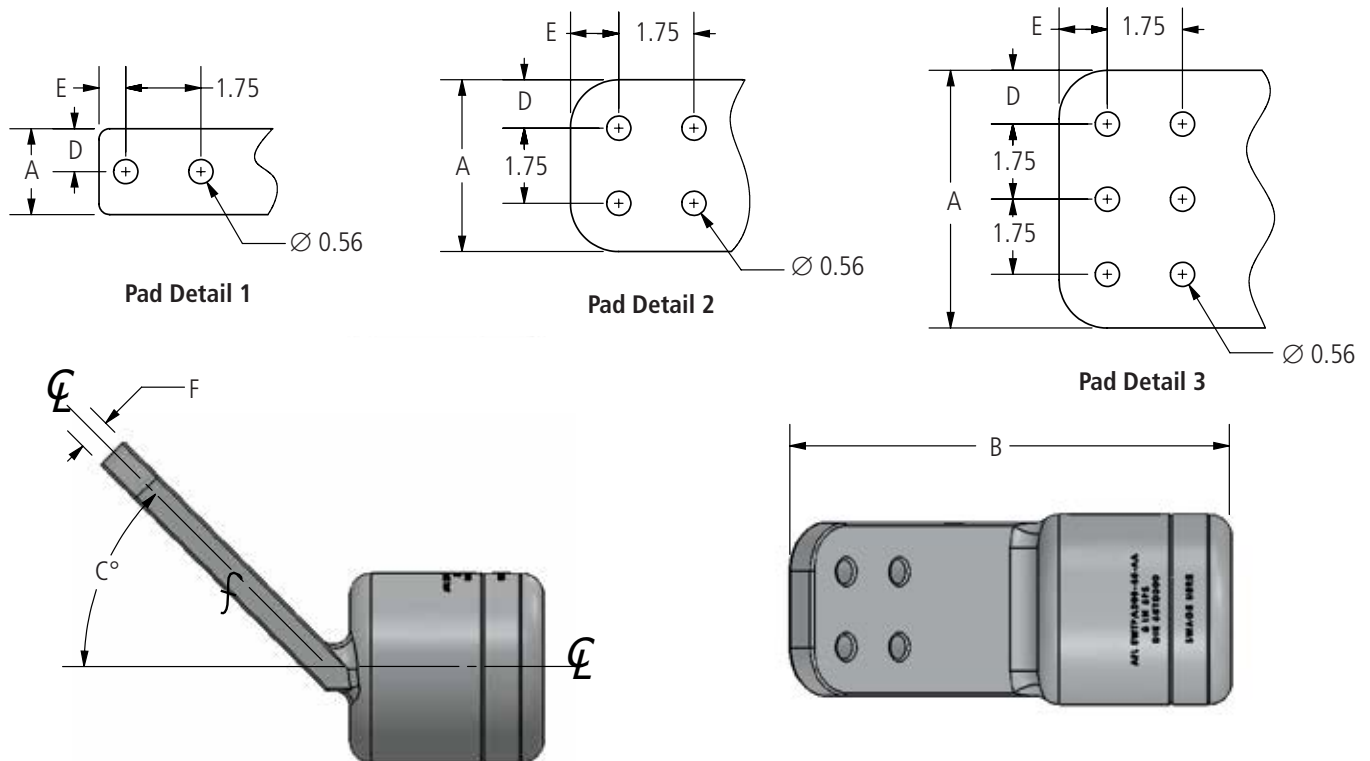
Material

Aluminum Alloy

Notes

- Bore will be lined with AFL Filler compound (AFC) and capped.
- 5" and 6" SPS parts require double swages.

f—Machine Finish



Ordering Information

AFL NO.	S.P.S.	PAD DETAIL	DIMENSIONS IN INCHES						DIE SIZE	VOLTAGE RATING (kV)
			A	B	C	D	E	F		
SWTPA100-2N-45-AA	1	1	2.00	7.68	45	1.00	0.63	0.38	65TD100	230
SWTPA100-4N-30-AA	1	2	3.00	8.40	30	0.63	0.63	0.38	65TD100	230
SWTPA100-4N-45-AA	1	2	3.00	7.68	45	0.63	0.63	0.38	65TD100	230
SWTPA100-4N-60-AA	1	2	3.00	6.75	60	0.63	1.13	0.38	65TD100	230
SWTPA100-4N4-30-AA	1	2	4.00	8.40	30	1.13	1.13	0.38	65TD100	230
SWTPA100-4N4-45-AA	1	2	4.00	7.68	45	1.13	1.13	0.38	65TD100	230
SWTPA100-4N4-60-AA	1	2	4.00	6.75	60	1.13	1.13	0.38	65TD100	230
SWTPA150-2N-45-AA	1.5	1	2.00	9.39	45	1.00	0.63	0.50	65TD150	230
SWTPA150-4N-30-AA	1.5	2	3.00	10.26	30	0.63	0.63	0.50	65TD150	230
SWTPA150-4N-45-AA	1.5	2	3.00	9.39	45	0.63	0.63	0.50	65TD150	230
SWTPA150-4N-60-AA	1.5	2	3.00	8.25	60	0.63	0.63	0.50	65TD150	230
SWTPA150-4N4-30-AA	1.5	2	4.00	10.26	30	1.13	1.13	0.50	65TD150	230
SWTPA150-4N4-45-AA	1.5	2	4.00	9.39	45	1.13	1.13	0.50	65TD150	230
SWTPA150-4N4-60-AA	1.5	2	4.00	8.25	60	1.13	1.13	0.50	65TD150	230

continued

TYPE SWTPA-AA Swage Bus Terminal with Angled NEMA Pad

Ordering Information

AFL NO.	S.P.S.	PAD DETAIL	DIMENSIONS IN INCHES						DIE SIZE	VOLTAGE RATING (kV)
			A	B	C	D	E	F		
SWTPA200-2N-30-AA	2	1	2.00	10.26	30	1.00	0.63	0.50	65TD200	230
SWTPA200-2N-45-AA	2	1	2.00	9.39	45	1.00	0.63	0.50	65TD200	230
SWTPA200-4N-30-AA	2	2	3.00	10.26	30	0.63	0.63	0.50	65TD200	230
SWTPA200-4N-45-AA	2	2	3.00	9.39	45	0.63	0.63	0.50	65TD200	230
SWTPA200-4N-60-AA	2	2	3.00	8.25	60	0.63	0.63	0.50	65TD200	230
SWTPA200-4N4-30-AA	2	2	4.00	10.26	30	1.13	1.13	0.50	65TD200	230
SWTPA200-4N4-45-AA	2	2	4.00	9.39	45	1.13	1.13	0.50	65TD200	230
SWTPA200-4N4-60-AA	2	2	4.00	8.25	60	1.13	1.13	0.50	65TD200	230
SWTPA250-2N-30-AA	2.5	1	2.00	10.26	30	1.00	0.63	0.63	65TD250	230
SWTPA250-2N-45-AA	2.5	1	2.00	9.39	45	1.00	0.63	0.63	65TD250	230
SWTPA250-4N-30-AA	2.5	2	3.00	9.76	30	0.63	0.63	0.63	65TD250	230
SWTPA250-4N-45-AA	2.5	2	3.00	9.39	45	0.63	0.63	0.63	65TD250	230
SWTPA250-4N-60-AA	2.5	2	3.00	9.25	60	0.63	0.63	0.63	65TD250	230
SWTPA250-4N4-30-AA	2.5	2	4.00	10.26	30	1.13	1.13	0.63	65TD250	230
SWTPA250-4N4-45-AA	2.5	2	4.00	9.39	45	1.13	1.13	0.63	65TD250	230
SWTPA250-4N4-60-AA	2.5	2	4.00	8.25	60	1.13	1.13	0.63	65TD250	230
SWTPA300-2N-30-AA	3	1	2.00	12.13	30	1.00	0.63	0.75	65TD300	345
SWTPA300-2N-45-AA	3	1	2.00	11.10	45	1.00	0.63	0.75	65TD300	345
SWTPA300-4N-30-AA	3	2	3.00	12.13	30	0.63	0.63	0.75	65TD300	345
SWTPA300-4N-45-AA	3	2	3.00	11.10	45	0.63	0.63	0.75	65TD300	345
SWTPA300-4N-60-AA	3	2	3.00	9.75	60	0.63	0.63	0.75	65TD300	345
SWTPA300-4N4-30-AA	3	2	4.00	12.13	30	1.13	1.13	0.75	65TD300	345
SWTPA300-4N4-45-AA	3	2	4.00	11.10	45	1.13	1.13	0.75	65TD300	345
SWTPA300-4N4-60-AA	3	2	4.00	9.75	60	1.13	1.13	0.75	65TD300	345
SWTPA350-2N-30-AA	3.5	1	2.00	12.13	30	1.00	0.63	0.75	65TD350	500
SWTPA350-2N-45-AA	3.5	1	2.00	11.10	45	1.00	0.63	0.75	65TD350	500
SWTPA350-4N-30-AA	3.5	2	3.00	12.13	30	0.63	0.63	0.75	65TD350	500
SWTPA350-4N-45-AA	3.5	2	3.00	11.10	45	0.63	0.63	0.75	65TD350	500
SWTPA350-4N-60-AA	3.5	2	3.00	9.75	60	0.63	0.63	0.75	65TD350	500
SWTPA350-4N4-30-AA	3.5	2	4.00	12.13	30	1.13	1.13	0.75	65TD350	500
SWTPA350-4N4-45-AA	3.5	2	4.00	11.10	45	1.13	1.13	0.75	65TD350	500
SWTPA350-4N4-60-AA	3.5	2	4.00	9.75	60	1.13	1.13	0.75	65TD350	500
SWTPA400-2N-30-AA	4	1	2.00	12.13	30	1.00	0.63	0.75	65TD400	500
SWTPA400-2N-45-AA	4	1	2.00	11.10	45	1.00	0.63	0.75	65TD400	500
SWTPA400-4N-30-AA	4	2	3.00	12.13	30	0.63	0.63	0.75	65TD400	500
SWTPA400-4N-45-AA	4	2	3.00	11.10	45	0.63	0.63	0.75	65TD400	500
SWTPA400-4N-60-AA	4	2	3.00	9.75	60	0.63	0.63	0.75	65TD400	500
SWTPA400-4N4-30-AA	4	2	4.00	12.13	30	1.13	1.13	0.75	65TD400	500
SWTPA400-4N4-45-AA	4	2	4.00	11.10	45	1.13	1.13	0.75	65TD400	500
SWTPA400-4N4-60-AA	4	2	4.00	9.75	60	1.13	1.13	0.75	65TD400	500
SWTPA500-4N4-30-AA	5	2	4.00	13.47	30	1.13	1.13	1.00	85TD500	500
SWTPA500-4N4-45-AA	5	2	4.00	12.57	45	1.13	1.13	1.00	85TD500	500
SWTPA500-4N4-60-AA	5	2	4.00	11.28	60	1.13	1.13	1.00	85TD500	500
SWTPA500-5N4-30-AA	5	3	5.00	13.47	30	0.75	1.13	1.00	85TD500	500
SWTPA500-5N4-45-AA	5	3	5.00	12.57	45	0.75	1.13	1.00	85TD500	500
SWTPA500-5N4-60-AA	5	3	5.00	11.28	60	0.75	1.13	1.00	85TD500	500
SWTPA500-6N4-30-AA	5	3	6.00	13.47	30	1.25	1.13	1.00	85TD500	500
SWTPA500-6N4-45-AA	5	3	6.00	12.57	45	1.25	1.13	1.00	85TD500	500
SWTPA500-6N4-60-AA	5	3	6.00	11.28	60	1.25	1.13	1.00	85TD500	500
SWTPA600-4N4-30-AA	6	2	4.00	16.35	30	1.13	1.13	1.00	115TD600	500
SWTPA600-4N4-45-AA	6	2	4.00	15.44	45	1.13	1.13	1.00	115TD600	500
SWTPA600-4N4-60-AA	6	2	4.00	14.15	60	1.13	1.13	1.00	115TD600	500
SWTPA600-5N4-30-AA	6	3	5.00	16.35	30	0.75	1.13	1.00	115TD600	500
SWTPA600-5N4-45-AA	6	3	5.00	15.44	45	0.75	1.13	1.00	115TD600	500
SWTPA600-5N4-60-AA	6	3	5.00	14.15	60	0.75	1.13	1.00	115TD600	500
SWTPA600-6N4-30-AA	6	3	6.00	16.35	30	1.25	1.13	1.00	115TD600	500
SWTPA600-6N4-45-AA	6	3	6.00	15.44	45	1.25	1.13	1.00	115TD600	500
SWTPA600-6N4-60-AA	6	3	6.00	14.15	60	1.25	1.13	1.00	115TD600	500

TYPE SWTPA-90-AA Swage Vertical Bus Terminal

A Swage type bus vertical terminal.

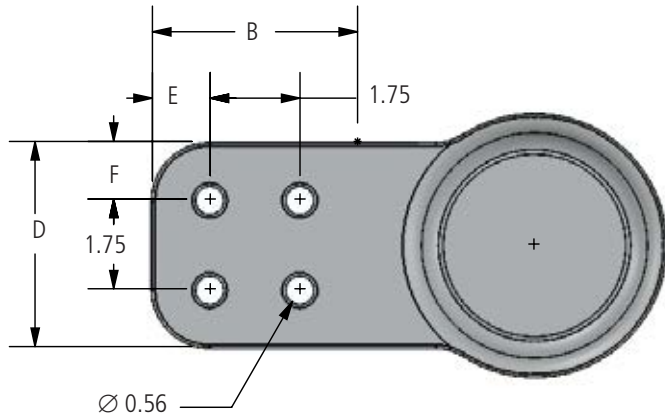
Material

Aluminum Alloy

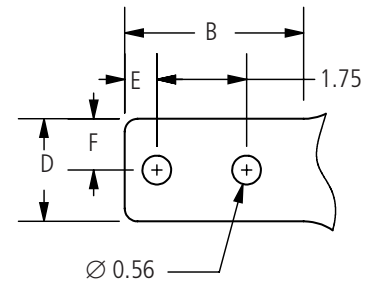
Notes

- Bore will be lined with AFL Filler compound (AFC) and capped.
- 5" and 6" SPS parts require double swages.

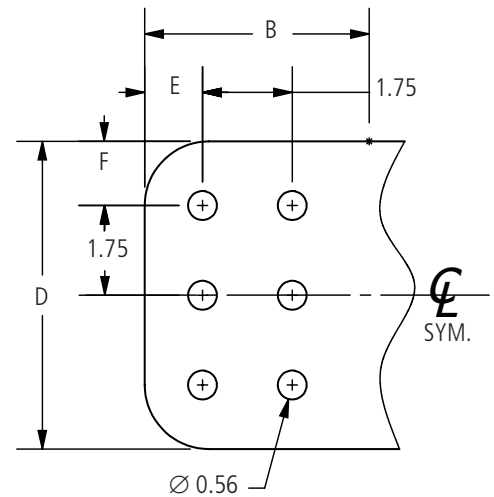
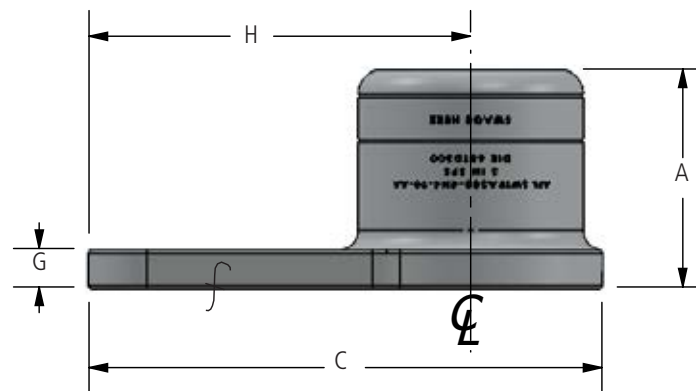
f—Machine Finish



Pad Detail 2



Pad Detail 1



Pad Detail 3

TERMINALS

continued

TYPE SWTPA-90-AA Swage Vertical Bus Terminal

Ordering Information

AFL NO.	S.P.S.	PAD DETAIL	DIMENSIONS IN INCHES								DIE SIZE	VOLTAGE RATING (kV)
			A	B	C	D	E	F	G	H		
SWTPA100-2N-90-AA	1	1	3.88	3.00	6.50	2.00	0.63	1.00	0.38	5.13	65TD100	230
SWTPA100-4N-90-AA	1	2	3.88	3.00	6.50	3.00	0.63	0.63	0.38	5.13	65TD100	230
SWTPA100-4N4-90-AA	1	2	3.88	4.00	8.50	4.00	1.13	1.13	0.38	7.13	65TD100	230
SWTPA150-2N-90-AA	1.5	1	4.00	3.00	7.00	2.00	0.63	1.00	0.50	5.38	65TD150	230
SWTPA150-4N-90-AA	1.5	2	4.00	3.00	7.00	3.00	0.63	0.63	0.50	5.38	65TD150	230
SWTPA150-4N4-90-AA	1.5	2	4.00	4.00	8.50	4.00	1.13	1.13	0.50	6.88	65TD150	230
SWTPA200-2N-90-AA	2	1	4.00	3.00	7.50	2.00	0.63	1.00	0.50	5.63	65TD200	230
SWTPA200-4N-90-AA	2	2	4.00	3.00	7.50	3.00	0.63	0.63	0.50	5.63	65TD200	230
SWTPA200-4N4-90-AA	2	2	4.00	4.00	8.50	4.00	1.13	1.13	0.50	6.63	65TD200	230
SWTPA250-2N-90-AA	2.5	1	4.13	3.00	8.00	2.00	0.63	1.00	0.63	5.75	65TD250	230
SWTPA250-4N-90-AA	2.5	2	4.13	3.00	8.00	3.00	0.63	0.63	0.63	5.75	65TD250	230
SWTPA250-4N4-90-AA	2.5	2	4.13	4.00	9.00	4.00	1.13	1.13	0.63	6.75	65TD250	230
SWTPA250-5N4-90-AA	2.5	3	4.13	4.00	9.50	5.00	1.13	0.75	0.63	7.25	65TD250	230
SWTPA250-6N4-90-AA	2.5	3	4.13	4.00	10.50	6.00	1.13	1.25	0.63	8.25	65TD250	230
SWTPA300-2N-90-AA	3	1	4.25	3.00	9.00	2.00	0.63	1.00	0.75	6.43	65TD300	230
SWTPA300-4N-90-AA	3	2	4.25	3.00	9.00	3.00	0.63	0.63	0.75	6.43	65TD300	230
SWTPA300-4N4-90-AA	3	2	4.25	4.00	10.00	4.00	1.13	1.13	0.75	7.43	65TD300	230
SWTPA300-5N4-90-AA	3	3	4.25	4.00	10.00	5.00	1.13	0.75	0.75	7.43	65TD300	230
SWTPA300-6N4-90-AA	3	3	4.25	4.00	10.50	6.00	1.13	1.25	0.75	7.93	65TD300	230
SWTPA350-2N-90-AA	3.5	1	4.25	3.00	9.50	2.00	0.63	1.00	0.75	6.63	65TD350	345
SWTPA350-4N-90-AA	3.5	2	4.25	3.00	9.50	3.00	0.63	0.63	0.75	6.63	65TD350	345
SWTPA350-4N4-90-AA	3.5	2	4.25	4.00	10.50	4.00	1.13	1.13	0.75	7.63	65TD350	345
SWTPA350-5N4-90-AA	3.5	3	4.25	4.00	10.50	5.00	1.13	0.75	0.75	7.63	65TD350	345
SWTPA350-6N4-90-AA	3.5	3	4.25	4.00	10.50	6.00	1.13	1.25	0.75	7.63	65TD350	345
SWTPA400-2N-90-AA	4	1	4.25	3.00	10.00	2.00	0.63	1.00	0.75	6.88	65TD400	345
SWTPA400-4N-90-AA	4	2	4.25	3.00	10.00	3.00	0.63	0.63	0.75	6.88	65TD400	345
SWTPA400-4N4-90-AA	4	2	4.25	4.00	11.00	4.00	1.13	1.13	0.75	7.88	65TD400	345
SWTPA400-5N4-90-AA	4	3	4.25	4.00	11.00	5.00	1.13	0.75	0.75	7.88	65TD400	345
SWTPA400-6N4-90-AA	4	3	4.25	4.00	11.00	6.00	1.13	1.25	0.75	7.88	65TD400	345
SWTPA500-4N4-90-AA	5	2	7.48	4.24	11.24	4.00	1.13	1.13	1.00	8.00	85TD500	345
SWTPA500-5N4-90-AA	5	3	7.48	4.24	11.24	5.00	1.13	0.75	1.00	8.00	85TD500	345
SWTPA500-6N4-90-AA	5	3	7.48	4.24	11.24	6.00	1.13	1.25	1.00	8.00	85TD500	345
SWTPA600-4N4-90-AA	6	2	10.35	4.24	12.74	4.00	1.13	1.13	1.00	8.74	115TD600	345
SWTPA600-5N4-90-AA	6	3	10.35	4.24	12.74	5.00	1.13	0.75	1.00	8.74	115TD600	345
SWTPA600-6N4-90-AA	6	3	10.35	4.24	12.74	6.00	1.13	1.25	1.00	8.74	115TD600	345

TYPE SWTPA-45R-AA Swage Bus Terminal with 45-degree Pad

A Swage type bus terminal with a 45-Degree NEMA pad.

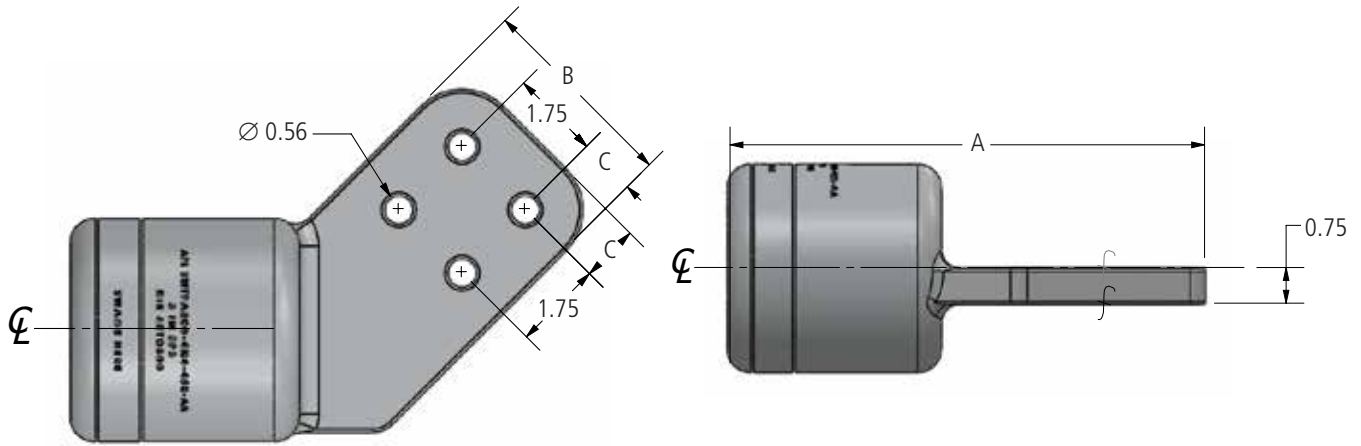
Material

Aluminum Alloy

Notes

- Bore will be lined with AFL Filler compound (AFC) and capped.

f—Machine Finish



Ordering Information

AFL NO.	S.P.S.	DIMENSIONS IN INCHES			DIE SIZE	VOLTAGE RATING (kV)
		A	B	C		
SWTPA100-4N-45R-AA	1	6.54	3.00	0.63	65TD100	230
SWTPA100-4N4-45R-AA	1	7.74	4.00	1.13	65TD100	230
SWTPA150-4N-45R-AA	1.5	6.72	3.00	0.63	65TD150	230
SWTPA150-4N4-45R-AA	1.5	7.92	4.00	1.13	65TD150	230
SWTPA200-4N-45R-AA	2	7.72	3.00	0.63	65TD200	230
SWTPA200-4N4-45R-AA	2	8.42	4.00	1.13	65TD200	230
SWTPA250-4N-45R-AA	2.5	8.09	3.00	0.63	65TD250	230
SWTPA250-4N4-45R-AA	2.5	9.29	4.00	1.13	65TD250	230
SWTPA300-4N-45R-AA	3	8.84	3.00	0.63	65TD300	345
SWTPA300-4N4-45R-AA	3	10.04	4.00	1.13	65TD300	345
SWTPA350-4N-45R-AA	3.5	8.97	3.00	0.63	65TD350	500
SWTPA350-4N4-45R-AA	3.5	10.17	4.00	1.13	65TD350	500
SWTPA400-4N-45R-AA	4	9.22	3.00	0.63	65TD400	500
SWTPA400-4N4-45R-AA	4	10.42	4.00	1.13	65TD400	500