

TYPE SW3CTA-90-AA

Swage Three Cable 90-Degree Terminal

A swage type three cable 90-degree terminals on a nema pad.

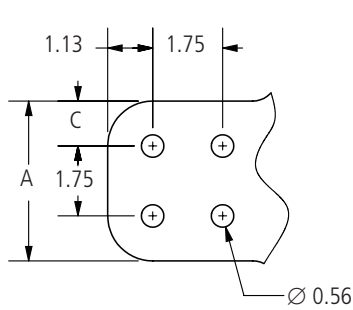
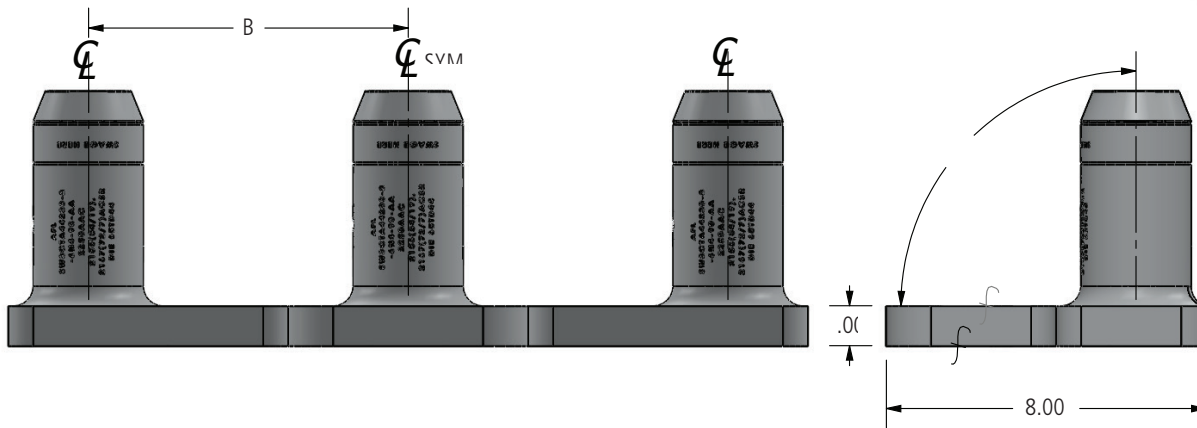
Material

Aluminum Alloy

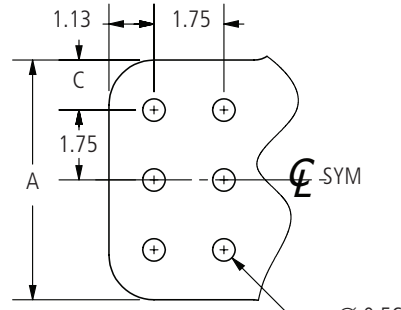
Notes

- Prefilled with AFL Filler Compound (AFC) and capped.
- For Electro Tin plate add "-SN" to AFL No.
EX: SW3CTA44225-8-6N4-90-AA-SN

f—Machine Finish



Detail 1



Detail 2

Ordering Information

AFL NO.	CABLE RANGE		DETAIL	DIMENSIONS (inches)			DIE SIZE
	AAC	ACSR		A	B	C	
SW3CTA36175-8-6N4-90-AA	1750	1510.5 (54/19), 1590 (45/7)	2	6.00	8.00	1.25	45TD36
SW3CTA44230-8-4N4-90-AA	2250	2156 (84/19), 2167 (72/7)	1	4.00	8.00	1.13	65TD44
SW3CTA44230-18-4N4-90-AA			1	4.00	18.00	1.13	65TD44
SW3CTA44230-8-6N4-90-AA			2	6.00	8.00	1.25	65TD44
SW3CTA44230-18-6N4-90-AA			2	6.00	18.00	1.25	65TD44
SW3CTA44250-8-4N4-90-AA	2500	2312 (76/19)	1	4.00	8.00	1.13	65TD44
SW3CTA44250-18-4N4-90-AA			1	4.00	18.00	1.13	65TD44
SW3CTA44250-8-6N4-90-AA			2	6.00	8.00	1.25	65TD44
SW3CTA44250-18-6N4-90-AA			2	6.00	18.00	1.25	65TD44