

# TYPE BPCV-AA, BP2CV-AA

## Aluminum Tee Connector For Tubular Bus To A Cable Tap

A variable tap pipe to cable tee connector. Cable clamping section is provided with two independently acting aluminum alloy saddles.

### Material

Aluminum Alloy

### Hardware

Yellow anodized aluminum bolts, nuts, and lockwashers.

### Notes

1. For tin plating, add "-SN" to end of catalog number. EX: BP2CV300-125-AA-SN
2. For galvanized steel hardware, add "-GS" to end of catalog number. EX: BP2CV300-125-AA-GS
3. For grade five galvanized steel hardware, add "-GS5" to end of catalog number. EX: BPCV75-125-AA-GS5
4. For two cables in-line, add "-90V" to catalog number. EX: BP2CV400-200-90V-AA

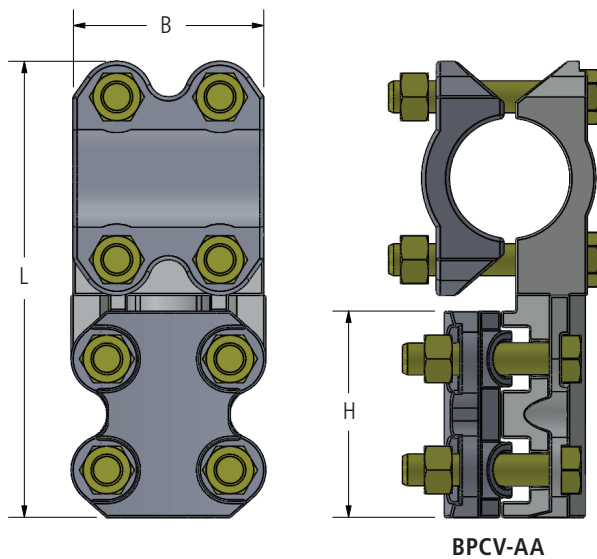
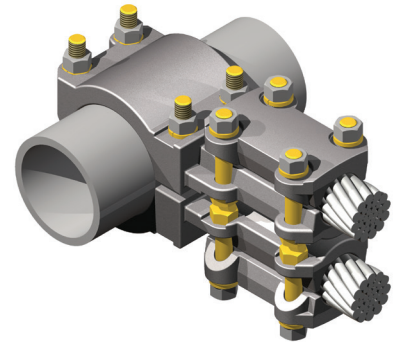


FIG. 1

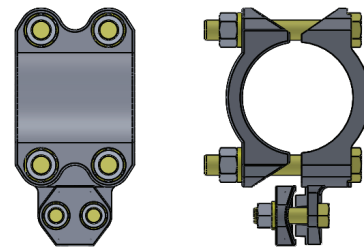
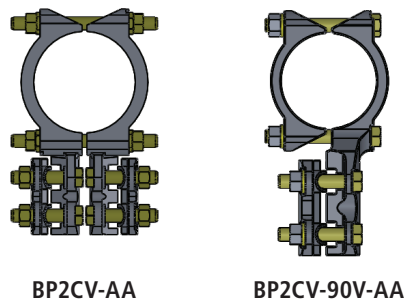


FIG. 2



BP2CV-AA

BP2CV-90V-AA

AFL's Dossert® product line offers a wide range of substation accessories in low voltage up to 765 kV applications in bronze or aluminum materials.

*continued*  
→

# TYPE BPCV-AA, BP2CV-AA

## Aluminum Tee Connector For Tubular Bus To A Cable Tap

### Ordering Information

Catalog Number		FIG. No.	SPS	Cable TAP				Dimensions in Inches		
BPCV	BP2CV			Aluminum		ACSR		B	L	H
				MIN	MAX	MIN	MAX			
BPCV50-25-AA	BP2CV50-25-AA	1	1/2	#1/0	250 MCM	#1/0	#4/0	2.75	6.13	3.00
BPCV50-50-AA	BP2CV50-50-AA	1	1/2	1/0 STR	250 MCM	#1/0	#4/0	2.75	6.13	3.00
BPCV75-25-AA	BP2CV75-25-AA	1	3/4	#1/0	250 MCM	#1/0	#4/0	2.75	6.13	3.00
BPCV75-40-AA	BP2CV75-40-AA	1	3/4	250 MCM	400 MCM	#4/0	397.5	2.75	6.13	3.00
BPCV75-60-AA	BP2CV75-60-AA	1	3/4	350 MCM	600 MCM	336.4	477	2.75	6.13	3.00
BPCV75-90-AA	BP2CV75-90-AA	1	3/4	500 MCM	900 MCM	477	795	2.75	6.13	3.00
BPCV75-125-AA	BP2CV75-125-AA	1	3/4	900 MCM	1250 MCM	715	1113	2.75	6.38	3.25
BPCV75-160-AA	BP2CV75-160-AA	1	3/4	1250 MCM	1600 MCM	1113	1431	2.75	7.50	4.38
BPCV75-200-AA	BP2CV75-200-AA	1	3/4	1500 MCM	2000 MCM	1272	1780	2.75	7.63	4.50
BPCV100-25-AA	BP2CV100-25-AA	1	1	1/0 STR	250 MCM	#1/0	#4/0	2.75	6.38	3.00
BPCV100-40-AA	BP2CV100-40-AA	1	1	250 MCM	400 MCM	#4/0	397.5	2.75	6.38	3.00
BPCV100-60-AA	BP2CV100-60-AA	1	1	350 MCM	600 MCM	336.4	477	2.75	6.38	3.00
BPCV100-90-AA	BP2CV100-90-AA	1	1	500 MCM	900 MCM	477	795	2.75	6.38	3.00
BPCV100-125-AA	BP2CV100-125-AA	1	1	900 MCM	1250 MCM	715	1113	2.75	6.63	3.25
BPCV100-160-AA	BP2CV100-160-AA	1	1	1250 MCM	1600 MCM	1113	1431	2.75	7.75	4.38
BPCV100-200-AA	BP2CV100-200-AA	1	1	1500 MCM	2000 MCM	1272	1780	2.75	7.88	4.50
BPCV125-10-AA	BP2CV125-10-AA	2	1 1/4	4	#1/0	4	#1/0	3.00	5.50	1.88
BPCV125-25-AA	BP2CV125-25-AA	1	1 1/4	1/0 STR	250 MCM	#1/0	#4/0	3.00	6.88	3.00
BPCV125-40-AA	BP2CV125-40-AA	1	1 1/4	250 MCM	400 MCM	#4/0	397.5	3.00	6.88	3.00
BPCV125-60-AA	BP2CV125-60-AA	1	1 1/4	350 MCM	600 MCM	336.4	477	3.00	6.88	3.00
BPCV125-90-AA	BP2CV125-90-AA	1	1 1/4	500 MCM	900 MCM	477	795	3.00	6.88	3.00
BPCV125-125-AA	BP2CV125-125-AA	1	1 1/4	900 MCM	1250 MCM	715	1113	3.00	7.13	3.25
BPCV125-160-AA	BP2CV125-160-AA	1	1 1/4	1250 MCM	1600 MCM	1113	1431	3.00	8.25	4.38
BPCV125-200-AA	BP2CV125-200-AA	1	1 1/4	1500 MCM	2000 MCM	1272	1780	3.00	8.38	4.50
BPCV150-25-AA	BP2CV150-25-AA	1	1 1/2	1/0 STR	250 MCM	#1/0	#4/0	3.00	6.88	3.00
BPCV150-40-AA	BP2CV150-40-AA	1	1 1/2	250 MCM	400 MCM	#4/0	397.5	3.00	6.88	3.00
BPCV150-60-AA	BP2CV150-60-AA	1	1 1/2	350 MCM	600 MCM	336.4	477	3.00	6.88	3.00
BPCV150-90-AA	BP2CV150-90-AA	1	1 1/2	500 MCM	900 MCM	477	795	3.00	6.88	3.00
BPCV150-125-AA	BP2CV150-125-AA	1	1 1/2	900 MCM	1250 MCM	715	1113	3.00	7.13	3.25
BPCV150-160-AA	BP2CV150-160-AA	1	1 1/2	1250 MCM	1600 MCM	1113	1431	3.00	8.25	4.38
BPCV150-200-AA	BP2CV150-200-AA	1	1 1/2	1500 MCM	2000 MCM	1272	1780	3.00	8.38	4.50
BPCV200-10-AA	BP2CV200-10-AA	2	2	4	#1/0	4	#1/0	3.25	6.25	1.88
BPCV200-25-AA	BP2CV200-25-AA	1	2	1/0 STR	250 MCM	#1/0	#4/0	3.25	7.75	3.00
BPCV200-40-AA	BP2CV200-40-AA	1	2	250 MCM	400 MCM	#4/0	397.5	3.25	7.75	3.00
BPCV200-60-AA	BP2CV200-60-AA	1	2	350 MCM	600 MCM	336.4	477	3.25	7.75	3.00
BPCV200-60-S-AA	BP2CV200-60-S-AA	1	2	#4/0	600 MCM	#3/0	477	3.25	7.75	3.00
BPCV200-90-AA	BP2CV200-90-AA	1	2	500 MCM	900 MCM	477	795	3.25	7.75	3.00
BPCV200-125-AA	BP2CV200-125-AA	1	2	900 MCM	1250 MCM	715	1113	3.25	8.00	3.25
BPCV200-160-AA	BP2CV200-160-AA	1	2	1250 MCM	1600 MCM	1113	1431	3.25	9.13	4.38
BPCV200-200-AA	BP2CV200-200-AA	1	2	1500 MCM	2000 MCM	1272	1780	3.25	9.25	4.50
BPCV200-250-AA	BP2CV200-250-AA	1	2	2000 MCM	2500 MCM	1780	2300	3.25	9.25	4.50
BPCV250-25-AA	BP2CV250-25-AA	1	2 1/2	1/0 STR	250 MCM	#1/0	#4/0	3.25	7.88	3.00
BPCV250-40-AA	BP2CV250-40-AA	1	2 1/2	250 MCM	400 MCM	#4/0	397	3.25	7.88	3.00
BPCV250-60-AA	BP2CV250-60-AA	1	2 1/2	350 MCM	600 MCM	336.4	477	3.25	7.88	3.00
BPCV250-90-AA	BP2CV250-90-AA	1	2 1/2	500 MCM	900 MCM	477	795	3.25	8.13	3.00
BPCV250-125-AA	BP2CV250-125-AA	1	2 1/2	900 MCM	1250 MCM	715	1113	3.25	8.38	3.25
BPCV250-160-AA	BP2CV250-160-AA	1	2 1/2	1250 MCM	1600 MCM	1113	1431	3.25	8.50	4.38
BPCV250-200-AA	BP2CV250-200-AA	1	2 1/2	1500 MCM	2000 MCM	1272	1780	3.25	8.63	4.50
BPCV250-250-AA	BP2CV250-250-AA	1	2 1/2	2000 MCM	2500 MCM	1780	2300	3.25	8.63	4.50
BPCV300-10-AA	BP2CV300-10-AA	2	3	4 STR	#1/0	4	#1/0	3.75	7.47	1.88
BPCV300-25-AA	BP2CV300-25-AA	1	3	1/0 STR	250 MCM	#1/0	#4/0	3.00	8.88	3.00
BPCV300-40-AA	BP2CV300-40-AA	1	3	250 MCM	400 MCM	#4/0	397.5	3.00	8.88	3.00
BPCV300-60-AA	BP2CV300-60-AA	1	3	350 MCM	600 MCM	336.4	477	3.00	8.88	3.00
BPCV300-90-AA	BP2CV300-90-AA	1	3	500 MCM	900 MCM	477	795	3.50	8.88	3.00
BPCV300-125-AA	BP2CV300-125-AA	1	3	900 MCM	1250 MCM	715	1113	3.50	8.88	3.25
BPCV300-160-AA	BP2CV300-160-AA	1	3	1250 MCM	1600 MCM	1113	1431	3.75	10.00	4.38

continued

# TYPE BPCV-AA, BP2CV-AA

## Aluminum Tee Connector For Tubular Bus To A Cable Tap

### Ordering Information

Catalog Number		FIG. No.	SPS	Cable TAP				Dimensions in Inches		
BPCV	BP2CV			Aluminum		ACSR		B	L	H
				MIN	MAX	MIN	MAX			
BPCV300-200-AA	BP2CV300-200-AA	1	3	1500 MCM	2000 MCM	1272	1780	3.75	10.13	4.50
BPCV300-250-AA	BP2CV300-250-AA	1	3	2000 MCM	2500 MCM	1780	2300	3.75	10.13	4.50
BPCV350-25-AA	BP2CV350-25-AA	1	3 1/2	1/0 STR	250 MCM	#1/0	#4/0	3.00	9.38	3.00
BPCV350-40-AA	BP2CV350-40-AA	1	3 1/2	250 MCM	400 MCM	#4/0	397.5	3.00	8.88	3.00
BPCV350-60-AA	BP2CV350-60-AA	1	3 1/2	350 MCM	600 MCM	336.4	477	3.00	8.88	3.00
BPCV350-90-AA	BP2CV350-90-AA	1	3 1/2	500 MCM	900 MCM	477	795	3.00	8.88	3.00
BPCV350-125-AA	BP2CV350-125-AA	1	3 1/2	900 MCM	1250 MCM	715	1113	3.50	9.81	3.25
BPCV350-160-AA	BP2CV350-160-AA	1	3 1/2	1250 MCM	1600 MCM	1113	1431	3.75	11.00	4.38
BPCV350-200-AA	BP2CV350-200-AA	1	3 1/2	1500 MCM	2000 MCM	1272	1780	3.75	11.19	4.50
BPCV400-25-AA	BP2CV400-25-AA	1	4	1/0 STR	250 MCM	#1/0	#4/0	3.25	10.00	3.00
BPCV400-40-AA	BP2CV400-40-AA	1	4	250 MCM	400 MCM	#4/0	397.5	3.25	10.00	3.00
BPCV400-60-AA	BP2CV400-60-AA	1	4	350 MCM	600 MCM	336.4	477	3.25	10.00	3.00
BPCV400-90-AA	BP2CV400-90-AA	1	4	500 MCM	900 MCM	477	795	3.25	9.81	3.00
BPCV400-125-AA	BP2CV400-125-AA	1	4	900 MCM	1250 MCM	715	1113	3.25	10.25	3.25
BPCV400-160-AA	BP2CV400-160-AA	1	4	1250 MCM	1600 MCM	1113	1431	3.75	11.38	4.38
BPCV400-200-AA	BP2CV400-200-AA	1	4	1500 MCM	2000 MCM	1272	1780	3.75	11.50	4.50
BPCV400-250-AA	BP2CV400-250-AA	1	4	2000 MCM	2500 MCM	1780	2300	3.75	11.50	4.50
BPCV500-10-AA	BP2CV500-10-AA	2	5	4 STR	#1/0	4	#1/0	3.25	9.50	1.88
BPCV500-25-AA	BP2CV500-25-AA	1	5	1/0 STR	250 MCM	#1/0	#4/0	3.25	10.50	3.00
BPCV500-40-AA	BP2CV500-40-AA	1	5	250 MCM	400 MCM	#4/0	397.5	3.25	10.50	3.00
BPCV500-60-AA	BP2CV500-60-AA	1	5	350 MCM	600 MCM	336.4	477	3.25	10.50	3.00
BPCV500-90-AA	BP2CV500-90-AA	1	5	500 MCM	900 MCM	477	795	3.25	10.50	3.00
BPCV500-125-AA	BP2CV500-125-AA	1	5	900 MCM	1250 MCM	715	1113	3.25	10.75	3.25
BPCV500-160-AA	BP2CV500-160-AA	1	5	1250 MCM	1600 MCM	1113	1431	3.75	12.13	4.38
BPCV500-200-AA	BP2CV500-200-AA	1	5	1500 MCM	2000 MCM	1272	1780	3.75	12.00	4.50
BPCV500-250-AA	BP2CV500-250-AA	1	5	2000 MCM	2500 MCM	1780	2300	3.75	12.00	4.50
BPCV600-25-AA	BP2CV600-25-AA	1	6	1/0 STR	250 MCM	#1/0	#4/0	3.50	12.88	3.00
BPCV600-90-AA	BP2CV600-90-AA	1	6	500 MCM	900 MCM	477	795	4.00	12.00	3.00
BPCV600-250-AA	BP2CV600-250-AA	1	6	2000 MCM	2500 MCM	1780	2300	4.00	13.50	4.50
BPCV600R-60-AA	BP2CV600R-60-AA	1	6" O.D.	350 MCM	600 MCM	336.4	477	3.25	11.00	3.00
BPCV800-25-AA*	BP2CV800-25-AA*	1	8	1/0 STR	250 MCM	1/0 STR	4/0 STR	5.00	13.88	3.00
BPCV800-200-AA*	BP2CV800-200-AA*	1	8	1500 MCM	2000 MCM	1272	1780	5.00	15.38	4.50
BPCV800R-200-AA*	BP2CV800R-200-AA*	1	8" O.D.	1500 MCM	2000 MCM	1272	1780	5.00	15.38	4.50
BPCV118R-90-AA	BP2CV118R-90-AA	1	30MM	500 MCM	900 MCM	477	795	2.75	6.63	3.00
BPCV118R-125-AA	BP2CV118R-125-AA	1	30MM	900 MCM	1250 MCM	715	1113	2.75	6.75	3.25
BPCV118R-125-S-AA	BP2CV118R-125-S-AA	1	30MM	600 MCM	1250 MCM	556.5	1113	2.75	6.75	3.25
BPCV157R-125-S-AA	BP2CV157R-125-S-AA	1	40MM	600 MCM	1250 MCM	556.5	1113	2.75	6.88	3.25

\* Items with \* have 6 bolts