

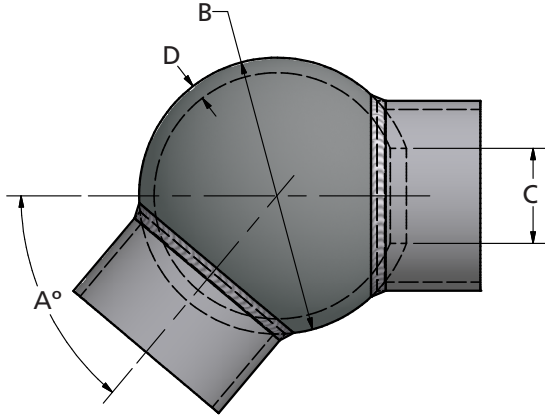
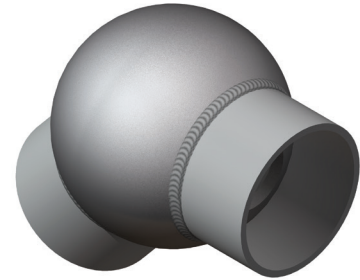
TYPE WWSC-AA

Weldment Spherical Coupler

WWSC-AA is a variable angle coupler for aluminum pipe conductor.

Material

Aluminum Alloy



Ordering Information

Catalog Number	SPS	Dimensions in inches				Max kV
		A° (max)	B	C	D	
WWSC500-AA	1 1/2	130	5	1 3/4	5/16	230
WWSC500-AA	2	115	5	1 3/4	5/16	230
WWSC500-AA	2 1/2	105	5	1 3/4	5/16	230
WWSC500-AA	3	90	5	1 3/4	5/16	230
WWSC500-AA	3 1/2	80	5	1 3/4	5/16	230
WWSC500-AA	4	50	5	1 3/4	5/16	230
WWSC800-AA	3 through 5	90	8	2 3/4	7/16	345
WWSC800-AA	6	60	8	2 3/4	7/16	345
WWSC800-AA	8 OD	40	8	2 3/4	7/16	345
WWSC1200-AA	3	140	12	2 3/4	3/8	500
WWSC1200-AA	3 1/2	135	12	2 3/4	3/8	500
WWSC1200-AA	4	130	12	2 3/4	3/8	500
WWSC1200-AA	5	120	12	2 3/4	3/8	500
WWSC1200-AA	6	100	12	2 3/4	3/8	500
WWSC1200-AA	8 OD	90	12	2 3/4	3/8	500

AFL's Dossert® product line offers a wide range of substation accessories in low voltage up to 765 kV applications in bronze or aluminum materials.