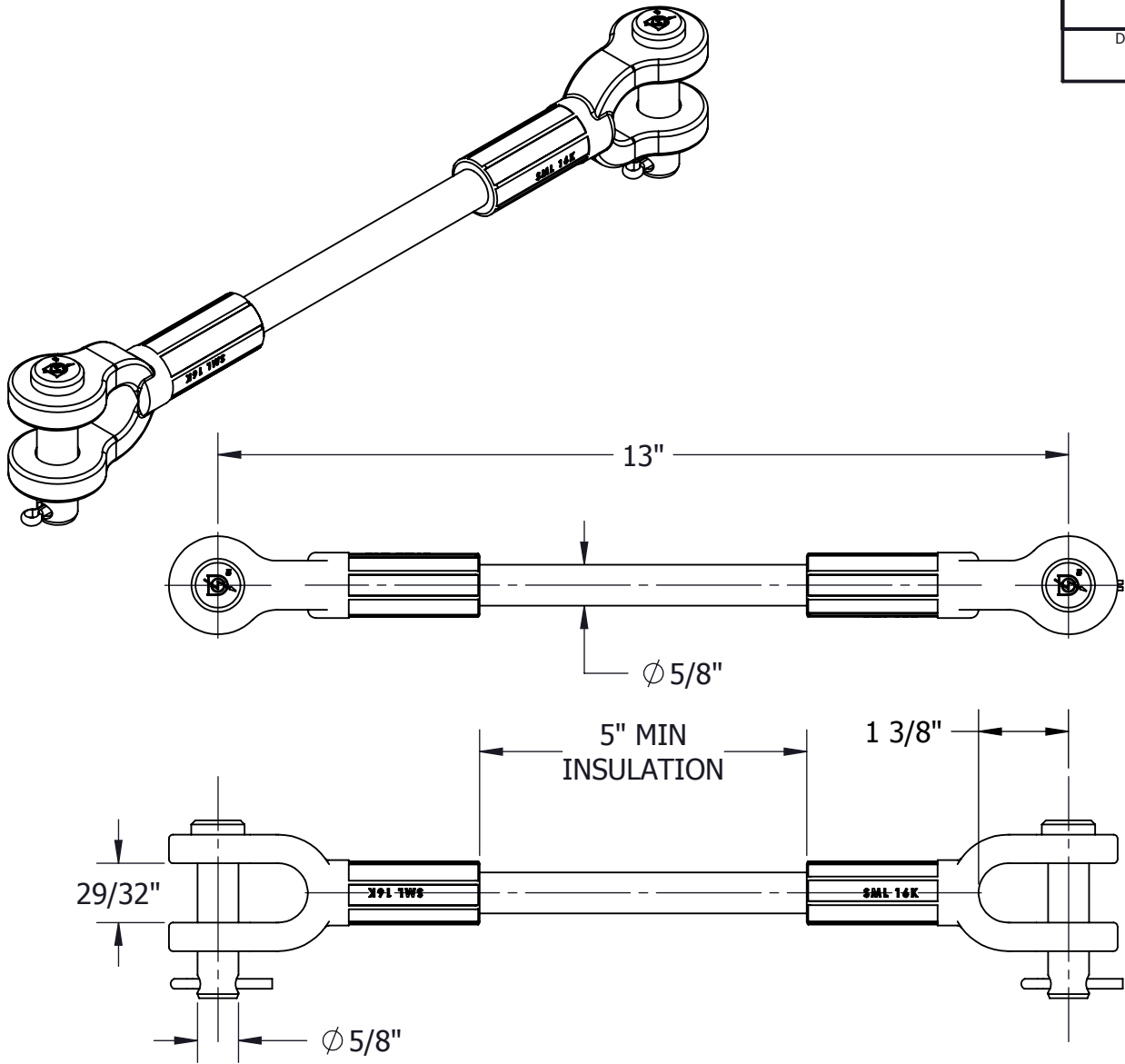


THIS DRAWING AND ALL INFORMATION ON IT IS THE PROPERTY OF AFL. IT IS CONFIDENTIAL AND IT IS GIVEN TO YOU FOR A LIMITED PURPOSE AND MUST BE RETURNED UPON REQUEST. NEITHER THIS DRAWING OR ANY PART OF IT NOR ANY INFORMATION CONCERNING IT MAY BE COPIED, EXHIBITED, OR FURNISHED TO OTHERS NOR PHOTOGRAPHS TAKEN OF ANY ARTICLE FABRICATED OR ASSEMBLED FROM THE DRAWING WITHOUT THE CONSENT OF AFL.

ITEM NO:

DWG. NO:



MATERIAL

- *INSULATOR ENDS - DUCTILE IRON, H.D.G
- INSULATOR ROD - 3/4" EPOXY - FIBERGLASS
- *CLEVIS PIN - STEEL, H.D.G.
- COTTER PIN - STAINLESS STEEL

ELECTRICAL RATING

- LEAKAGE DISTANCE: 5 kV
- DRY FLASHOVER: 60 kV
- WET FLASHOVER: 31kV
- OPERATING VOLTAGE: 750 VDC

MECHANICAL RATING


ULTIMATE LOAD: 16,000 LBS

WT: 2.3 LB

* = HOT DIP GALVANIZED

LOCATION	CONTRACT NO	CUST / CONTR
----------	-------------	--------------

REV					DRN BY:
REV	DESCRIPTION	DATE	BY	APR	HV
1	PAGE BOADER UPDATE, PA2013-1926	1.24.14	DK	EP	DRN DATE: 11.8.12
					CHK BY: JL
					CHK DATE: 11.8.12
					PA 2012-1815.0



INSULATOR, 5/8" C/C

REV	PART NO:	INS63H-CC-STD	1 OF 1
1			