

# TYPE WT-AA, WTA-75-AA, WTA-80-AA

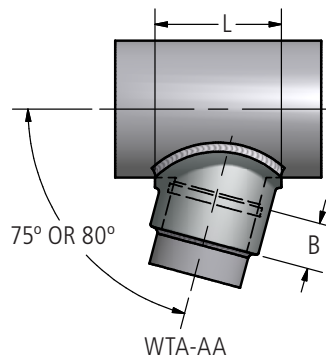
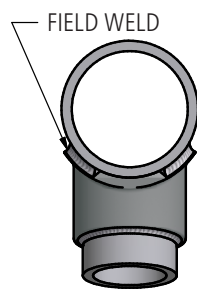
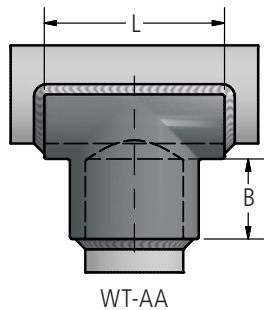
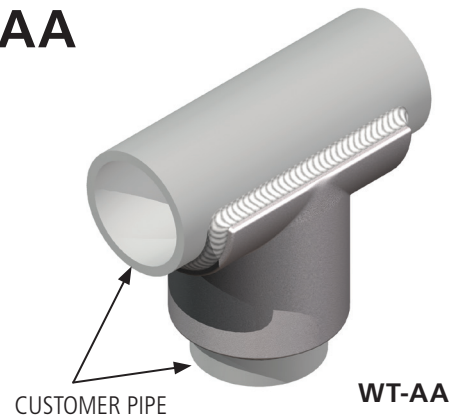
Welded Tee Rated for 500 kV

## Material

Aluminum Alloy

## Notes

1. For a welded tee at 75° for 1" to 1" pipe order: WTA100-100-75-AA
2. For a welded tee at 80° for 1" to 1" pipe order: WTA100-100-80-AA



## Ordering Information

SPS		Catalog Number			Dimensions in Inches	
Run	TAP or Branch	90 Degree	75 Degree	80 Degree	B	L
3/4	3/4	WT75-75-AA	WTA75-75-75-AA	WTA75-75-75-80-AA	3/4	2 1/8
1	3/4	WT100-75-AA	WTA100-75-75-AA	WTA100-75-80-AA	3/4	2 1/8
1	1	WT100-100-AA	WTA100-100-75-AA	WTA100-100-80-AA	3/4	2 1/4
1 1/4	3/4	WT125-75-AA	WTA125-75-75-AA	WTA125-75-80-AA	3/4	2 1/8
1 1/4	1	WT125-100-AA	WTA125-100-75-AA	WTA125-100-80-AA	3/4	2 1/4
1 1/4	1 1/4	WT125-125-AA	WTA125-125-75-AA	WTA125-125-80-AA	1	2 3/4
1 1/4	2 1/2	WT125-250-AA	WTA125-250-75-AA	WTA125-250-80-AA	1 1/2	3 1/2
1 1/2	3/4	WT150-75-AA	WTA150-75-75-AA	WTA150-75-80-AA	3/4	2 1/8
1 1/2	1	WT150-100-AA	WTA150-100-75-AA	WTA150-100-80-AA	3/4	2 1/4
1 1/2	1 1/4	WT150-125-AA	WTA150-125-75-AA	WTA150-125-80-AA	1	2 1/2
1 1/2	1 1/2	WT150-150-AA	WTA150-150-75-AA	WTA150-150-80-AA	1	3 1/8
1 1/2	2	WT150-200-AA	WTA150-200-75-AA	WTA150-200-80-AA	1 1/4	3 11/16
2	3/4	WT200-75-AA	WTA200-75-75-AA	WTA200-75-80-AA	3/4	2 1/8
2	1	WT200-100-AA	WTA200-100-75-AA	WTA200-100-80-AA	7/8	2 1/4
2	1 1/4	WT200-125-AA	WTA200-125-75-AA	WTA200-125-80-AA	1 1/4	2 11/16
2	1 1/2	WT200-150-AA	WTA200-150-75-AA	WTA200-150-80-AA	1	2 3/4
2	2	WT200-200-AA	WTA200-200-75-AA	WTA200-200-80-AA	1 1/4	3 11/16
2	2 1/2	WT200-250-AA	WTA200-250-75-AA	WTA200-250-80-AA	1 1/2	4 1/8
2	3	WT200-300-AA	WTA200-300-75-AA	WTA200-300-80-AA	1 3/4	4 3/8

AFL's Dossert® product line offers a wide range of substation accessories in low voltage up to 765 kV applications in bronze or aluminum materials.

*continued*  
→

# TYPE WT-AA, WTA-75-AA, WTA-80-AA (cont.)

Welded Tee Rated for 500 kV

## Ordering Information

SPS		Catalog Number			Dimensions in Inches	
Run	TAP or Branch	90 Degree	75 Degree	80 Degree	B	L
2	4	WT200-400-AA	WTA200-400-75-AA	WTA200-400-80-AA	2 1/4	5 1/2
2	5	WT200-500-AA	WTA200-500-75-AA	WTA200-500-80-AA	2 3/4	6 7/16
2	6	WT200-600-AA	WTA200-600-75-AA	WTA200-600-80-AA	3 1/4	8 1/4
2 1/2	3/4	WT250-75-AA	WTA250-75-75-AA	WTA250-75-80-AA	3/4	2 5/8
2 1/2	1	WT250-100-AA	WTA250-100-75-AA	WTA250-100-80-AA	3/4	2 1/8
2 1/2	1 1/4	WT250-125-AA	WTA250-125-75-AA	WTA250-125-80-AA	1	3 1/8
2 1/2	1 1/2	WT250-150-AA	WTA250-150-75-AA	WTA250-150-80-AA	1	3 1/8
2 1/2	2	WT250-200-AA	WTA250-200-75-AA	WTA250-200-80-AA	1 1/4	3 11/16
2 1/2	2 1/2	WT250-250-AA	WTA250-250-75-AA	WTA250-250-80-AA	1 1/2	3 3/4
3	3/4	WT300-75-AA	WTA300-75-75-AA	WTA300-75-80-AA	3/4	2 1/8
3	1	WT300-100-AA	WTA300-100-75-AA	WTA300-100-80-AA	3/4	2 1/8
3	1 1/4	WT300-125-AA	WTA300-125-75-AA	WTA300-125-80-AA	1	2 1/2
3	1 1/2	WT300-150-AA	WTA300-150-75-AA	WTA300-150-80-AA	1	2 3/4
3	2	WT300-200-AA	WTA300-200-75-AA	WTA300-200-80-AA	1 1/4	3 1/4
3	2 1/2	WT300-250-AA	WTA300-250-75-AA	WTA300-250-80-AA	1 1/2	3 3/4
3	3	WT300-300-AA	WTA300-300-75-AA	WTA300-300-80-AA	1 3/4	4 3/8
3	3 1/2	WT300-350-AA	WTA300-350-75-AA	WTA300-350-80-AA	2	4 7/8
3	4	WT300-400-AA	WTA300-400-75-AA	WTA300-400-80-AA	2 1/4	5 3/8
3	5	WT300-500-AA	WTA300-500-75-AA	WTA300-500-80-AA	2 3/4	6 7/16
3 1/2	3/4	WT350-75-AA	WTA350-75-75-AA	WTA350-75-80-AA	3/4	2 1/8
3 1/2	1	WT350-100-AA	WTA350-100-75-AA	WTA350-100-80-AA	3/4	2 1/4
3 1/2	1 1/4	WT350-125-AA	WTA350-125-75-AA	WTA350-125-80-AA	1	2 1/2
3 1/2	1 1/2	WT350-150-AA	WTA350-150-75-AA	WTA350-150-80-AA	1	2 3/4
3 1/2	2	WT350-200-AA	WTA350-200-75-AA	WTA350-200-80-AA	1 1/4	3 7/8
3 1/2	2 1/2	WT350-250-AA	WTA350-250-75-AA	WTA350-250-80-AA	1 1/2	3 3/4
3 1/2	3	WT350-300-AA	WTA350-300-75-AA	WTA350-300-80-AA	1 3/4	4 7/8
3 1/2	3 1/2	WT350-350-AA	WTA350-350-75-AA	WTA350-350-80-AA	2	5 3/8
4	3/4	WT400-75-AA	WTA400-75-75-AA	WTA400-75-80-AA	3/4	2 1/8
4	1	WT400-100-AA	WTA400-100-75-AA	WTA400-100-80-AA	7/8	3 1/8
4	1 1/4	WT400-125-AA	WTA400-125-75-AA	WTA400-125-80-AA	1	2 1/2
4	1 1/2	WT400-150-AA	WTA400-150-75-AA	WTA400-150-80-AA	1	3 1/8
4	2	WT400-200-AA	WTA400-200-75-AA	WTA400-200-80-AA	2	4 3/8
4	2 1/2	WT400-250-AA	WTA400-250-75-AA	WTA400-250-80-AA	1 1/2	4 1/4
4	3	WT400-300-AA	WTA400-300-75-AA	WTA400-300-80-AA	1 3/4	4 7/8
4	3 1/2	WT400-350-AA	WTA400-350-75-AA	WTA400-350-80-AA	2	5 1/2
4	4	WT400-400-AA	WTA400-400-75-AA	WTA400-400-80-AA	2 1/4	6 1/8

continued  
→

# TYPE WT-AA, WTA-75-AA, WTA-80-AA (cont.)

Welded Tee Rated for 500 kV

## Ordering Information

SPS		Catalog Number			Dimensions in Inches	
Run	TAP or Branch	90 Degree	75 Degree	80 Degree	B	L
5	1	WT500-100-AA	WTA500-100-75-AA	WTA500-100-80-AA	3/4	2 1/4
5	1 1/4	WT500-125-AA	WTA500-125-75-AA	WTA500-125-80-AA	1	2 1/2
5	1 1/2	WT500-150-AA	WTA500-150-75-AA	WTA500-150-80-AA	1	2 3/4
5	2	WT500-200-AA	WTA500-200-75-AA	WTA500-200-80-AA	1 1/4	3 1/4
5	2 1/2	WT500-250-AA	WTA500-250-75-AA	WTA500-250-80-AA	1 1/2	3 3/4
5	3	WT500-300-AA	WTA500-300-75-AA	WTA500-300-80-AA	1 3/4	4 7/8
5	3 1/2	WT500-350-AA	WTA500-350-75-AA	WTA500-350-80-AA	2	5 13/16
5	4	WT500-400-AA	WTA500-400-75-AA	WTA500-400-80-AA	2 1/4	5 15/16
5	5	WT500-500-AA	WTA500-500-75-AA	WTA500-500-80-AA	2 3/4	7 1/16
6	1	WT600-100-AA	WTA600-100-75-AA	WTA600-100-80-AA	3/4	2 1/4
6	1 1/4	WT600-125-AA	WTA600-125-75-AA	WTA600-125-80-AA	1	2 1/2
6	1 1/2	WT600-150-AA	WTA600-150-75-AA	WTA600-150-80-AA	1	2 3/4
6	2	WT600-200-AA	WTA600-200-75-AA	WTA600-200-80-AA	1 1/4	3 1/4
6	2 1/2	WT600-250-AA	WTA600-250-75-AA	WTA600-250-80-AA	1 1/2	3 3/4
6	3	WT600-300-AA	WTA600-300-75-AA	WTA600-300-80-AA	1 3/4	4 11/16
6	3 1/2	WT600-350-AA	WTA600-350-75-AA	WTA600-350-80-AA	2	5 3/8
6	4	WT600-400-AA	WTA600-400-75-AA	WTA600-400-80-AA	2 1/4	5 15/16
6	5	WT600-500-AA	WTA600-500-75-AA	WTA600-500-80-AA	2 3/4	6 7/16
6	6	WT600-600-AA	WTA600-600-75-AA	WTA600-600-80-AA	2 3/4	8 1/4
8	6	WT800-600-AA	WTA800-600-75-AA	WTA800-600-80-AA	2 3/4	8 1/2
8" O.D.	4	WT800R-400-AA	WTA800R-400-75-AA	WTA800R-400-80-AA	2 1/4	5 15/16
8" O.D.	5	WT800R-500-AA	WTA800R-500-75-AA	WTA800R-500-80-AA	2 3/4	6 7/16
8" O.D.	8" O.D.	WT800R-800R-AA	WTA800R-800R-75-AA	WTA800R-800R-80-AA	2 3/4	10

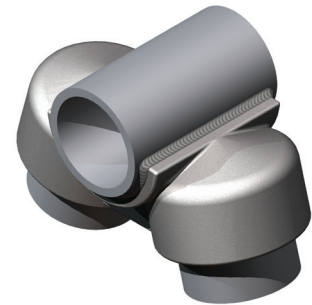
# TYPE WVBP-20-V-AA, WVBP-30-V-AA

## Angle Welded Vee and Welded Tee Connector

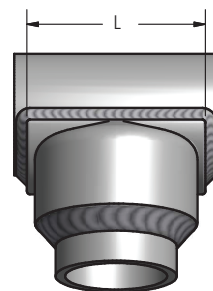
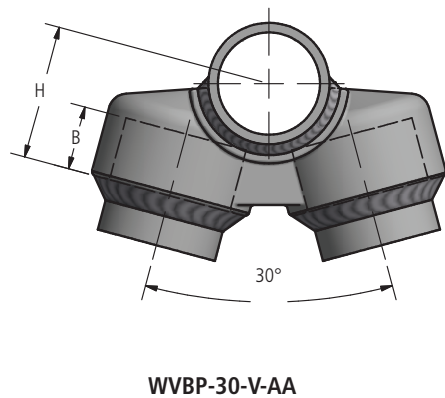
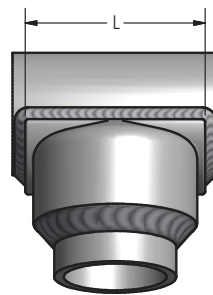
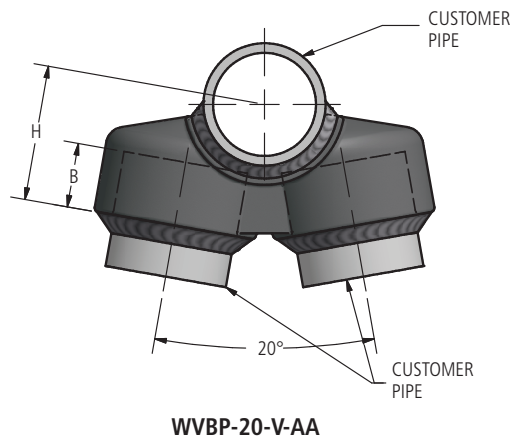
Welded A-frame connectors are designed to be corona free for 345 kV and 500 kV service. Connectors are designed to be welded on outside of pipe allowing use on both schedule 40 and schedule 80 pipe. Socket design allows for slight inaccuracies in field cut length of pipe.

### Material

Aluminum Alloy



WVBP-20-V-AA



AFL's Dossert® product line offers a wide range of substation accessories in low voltage up to 765 kV applications in bronze or aluminum materials.

*continued*  
→

# TYPE WVBP-20-V-AA, WVBP-30-V-AA

## Angle Welded Vee and Welded Tee Connector

### Ordering Information

Catalog Number		SPS		Dimensions in Inches		
20 Degree	30 Degree	RUN	TAP	B	H	L
WVBP300-125-20-V-AA	WVBP300-125-30-V-AA	3	1-1/4	1	2-15/16	2-5/8
WVBP300-150-20-V-AA	WVBP300-150-30-V-AA	3	1-1/2	1	2-15/16	2-7/8
WVBP300-200-20-V-AA	WVBP300-200-30-V-AA	3	2	1-1/4	3-3/16	3-1/2
WVBP300-250-20-V-AA	WVBP300-250-30-V-AA	3	2-1/2	1-1/2	3-7/16	4
WVBP300-300-20-V-AA	WVBP300-300-30-V-AA	3	3	1-3/4	3-11/16	4-5/8
WVBP350-100-20-V-AA	WVBP350-100-30-V-AA	3-1/2	1	3/4	2-5/8	2-1/4
WVBP350-150-20-V-AA	WVBP350-150-30-V-AA	3-1/2	1-1/2	1	3-1/4	2-7/8
WVBP350-200-20-V-AA	WVBP350-200-30-V-AA	3-1/2	2	1-1/4	3-1/2	3-1/2
WVBP350-250-20-V-AA	WVBP350-250-30-V-AA	3-1/2	2-1/2	1-1/2	3-3/4	4
WVBP350-300-20-V-AA	WVBP350-300-30-V-AA	3-1/2	3	1-3/4	4	4-5/8
WVBP350-350-20-V-AA	WVBP350-350-30-V-AA	3-1/2	3-1/2	2	4-1/4	5-1/8
WVBP400-150-20-V-AA	WVBP400-150-30-V-AA	4	1-1/2	1	3-1/2	2-7/8
WVBP400-200-20-V-AA	WVBP400-200-30-V-AA	4	2	1-3/4	3-3/4	4-1/8
WVBP400-250-20-V-AA	WVBP400-250-30-V-AA	4	2-1/2	1-1/2	4	4
WVBP400-300-20-V-AA	WVBP400-300-30-V-AA	4	3	1-3/4	4-1/4	4-5/8
WVBP400-350-20-V-AA	WVBP400-350-30-V-AA	4	3-1/2	2	4-1/2	5-1/8
WVBP400-400-20-V-AA	WVBP400-400-30-V-AA	4	4	2-1/4	6-5/16	6-7/16
WVBP500-150-20-V-AA	WVBP500-150-30-V-AA	5	1-1/2	1	4	2-7/8
WVBP500-200-20-V-AA	WVBP500-200-30-V-AA	5	2	1-1/4	4-13/16	3-7/8
WVBP500-250-20-V-AA	WVBP500-250-30-V-AA	5	2-1/2	1-1/2	4-1/2	4
WVBP500-300-20-V-AA	WVBP500-300-30-V-AA	5	3	1-3/4	4-3/4	4-5/8
WVBP500-350-20-V-AA	WVBP500-350-30-V-AA	5	3-1/2	2	5	5-1/8
WVBP500-400-20-V-AA	WVBP500-400-30-V-AA	5	4	2-1/4	5-1/4	6-1/4
WVBP500-500-20-V-AA	WVBP500-500-30-V-AA	5	5	2-3/4	5-3/4	6-15/16
WVBP600-200-20-V-AA	WVBP600-200-30-V-AA	6	2	1-1/4	4-13/16	3-1/2
WVBP600-250-20-V-AA	WVBP600-250-30-V-AA	6	2-1/2	1-1/2	5-1/16	4
WVBP600-300-20-V-AA	WVBP600-300-30-V-AA	6	3	1-3/4	5-5/16	4-5/8
WVBP600-350-20-V-AA	WVBP600-350-30-V-AA	6	3-1/2	2	5-9/16	5-1/8
WVBP600-400-20-V-AA	WVBP600-400-30-V-AA	6	4	2-1/4	5-13/16	5-7/8
WVBP600-500-20-V-AA	WVBP600-500-30-V-AA	6	5	2-3/4	6-5/16	6-15/16
WVBP600-600-20-V-AA	WVBP600-600-30-V-AA	6	6	3-1/4	6-13/16	8