

OptiNID® Duo

Optical Demarcation Enclosure

AFL's OptiNID (OPN) Duo Optical Demarcation Enclosure is the latest entry in the OptiNID fiber optic demarcation family of products. The ultra-compact OPN Duo is designed with flexibility in mind with the capability to house up to 4 SC simplex or LC duplex adapters, along with the ability to house up to 18 single fiber or 6 mass fusion splices. The OPN Duo is also optimized for the use of AFL's FASTConnect® or FUSEConnect® field-installable connectors. The base of the enclosure houses an insert which incorporates fiber routing, splice tray, adapter plate, and cable retention features. The OPN Duo also has several optional features such as a clear splice/security cover for protecting provider-side connectors or a grounding plate for grounding armored or toneable drop cables. The OPN Duo is available with two different base cable entry options, either a pair of U-shaped "drop-in" style grommets, or two half-inch ports allowing for a variety of different entry accessories.

Features

- Integrated splice tray for up to 18 single fusion splices or 6 mass fusion
- Optional clear splice/security cover covers splices, pigtails and provider-side connectors
- Snap lock cover with optional 3/8" screw for added security
- "U-Grommets" provide easy drop-in cable entry or two half-inch ports for a variety of cable entry options
- Integrated mounting points external to the enclosure allow mounting to walls or poles without drilling holes through the box, creating leak paths

Applications

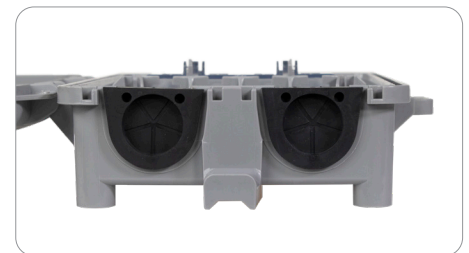
- FTTx – Fiber-to-the-Home (single family, multi-dwelling), Fiber-to-the-Business (multi-tenant)
- Wireless – Macro and small cell

Specifications

Parameter	Values
Dimensions – H x W x D	9.6 x 7.0 x 2.7 inches (24.4 x 17.7 x 6.8 cm)
Material	UL® listed flame retardant thermoplastic alloy
UV Resistance (Days Exposed)	60 per ASTM-G26-84
Flammability	UL94-5VA
Impact Test	-40°F (-40°C), 10 ft-lbs. on all external surfaces
Chemical Resistance	Resists chipping and/or cracking when subject to house paint, wasp spray, sulfuric acid, kerosene and sodium hydroxide
30 Days at 100°F and 95% RH	
Drop Test	-40°F (-40°C), 3 ft. onto concrete surface 4 times
Rain	24 hours at 10 psi
Temperature Cycling with Humidity	30 day cycling from -40°F to 149°F (-40°C to 65°C) with 95% RH



Shown with four SC/APC adapters, security cover and grounding



"U-Grommet" Entry Option



1/2" Hole Entry Option

continued
→

OptiNID® Duo Optical Demarcation Enclosure

Ordering Information

O	-	A	-	A	X	-	A	1	-	X	-	P	-	S	S	-	P	-	P	
OptiNID Duo O = OptiNID Duo		Base A = Base with two U-shaped drop-in grommets B = Base with two holes for various entry options		Adapter X = No Adapter A = SC/APC Simplex B = SC/UPC Simplex L = LC/UPC Duplex N = LC/APC Duplex		900 µm Pigtail Kit X = No Pigtail A = SC/APC B = SC/UPC L = LC/UPC N = LC/APC		Splice Holder X = No Splice Holder S = Splice Holder		Left Entry Port		Right Entry Port								
Cover Logo A = Standard AFL logo Contact AFL for custom logo options		Lockscrew X = No lockscrew (standard) 1 = 3/8" Hex lockscrew		Adapter Quantity 1-4		Grounding Plate X = No Grounding P = 2-Lug Grounding Plate		Security/Splice Cover X = No Cover S = Security/Splice Cover K = Security/Splice Cover with pin-in-hex security screw												

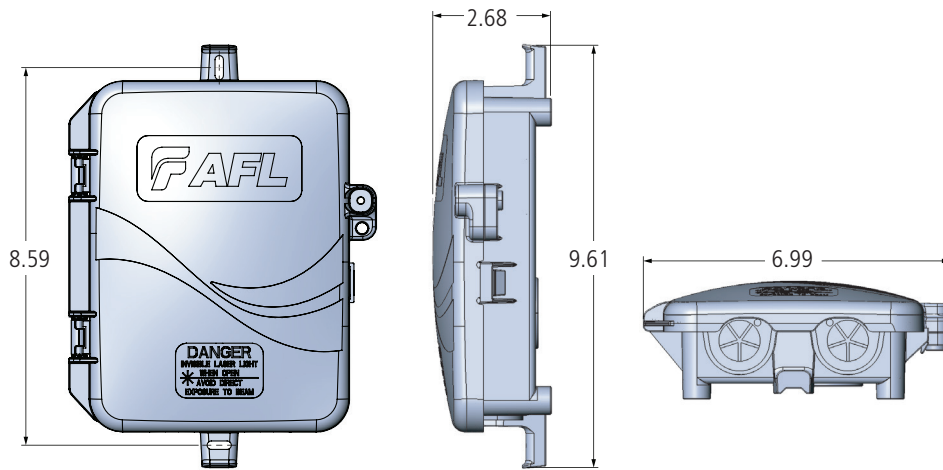
A = Heyco compression fitting for 0.095" to 0.29" round cable
 B = Heyco compression fitting for 0.170" to 0.45" round cable
 D = PVC conduit fitting for 3/4" conduit
 G = Rubber grommet
 K = Heyco compression fitting for 0.26" to 0.545" round cable
 L = Heyco compression fitting for 2 round cables up to 0.15"
 M = Heyco compression fitting for flat drop cable
 N = PVC conduit fitting for 1/2" conduit
 U = U-shaped grommet for U-shaped grommet base

NOTE: Options A-N available with the two-hole entry option only

Ordering Information – Accessories

Description	AFL NO.
OptiNID Duo Splice Module, Pack of 20	AX-TRAY-MOD-20

Dimensions (in inches)



Qualifications

Governing Body	Standard Code
Telcordia	GR-49, GR-2898

Contact AFL for further details.